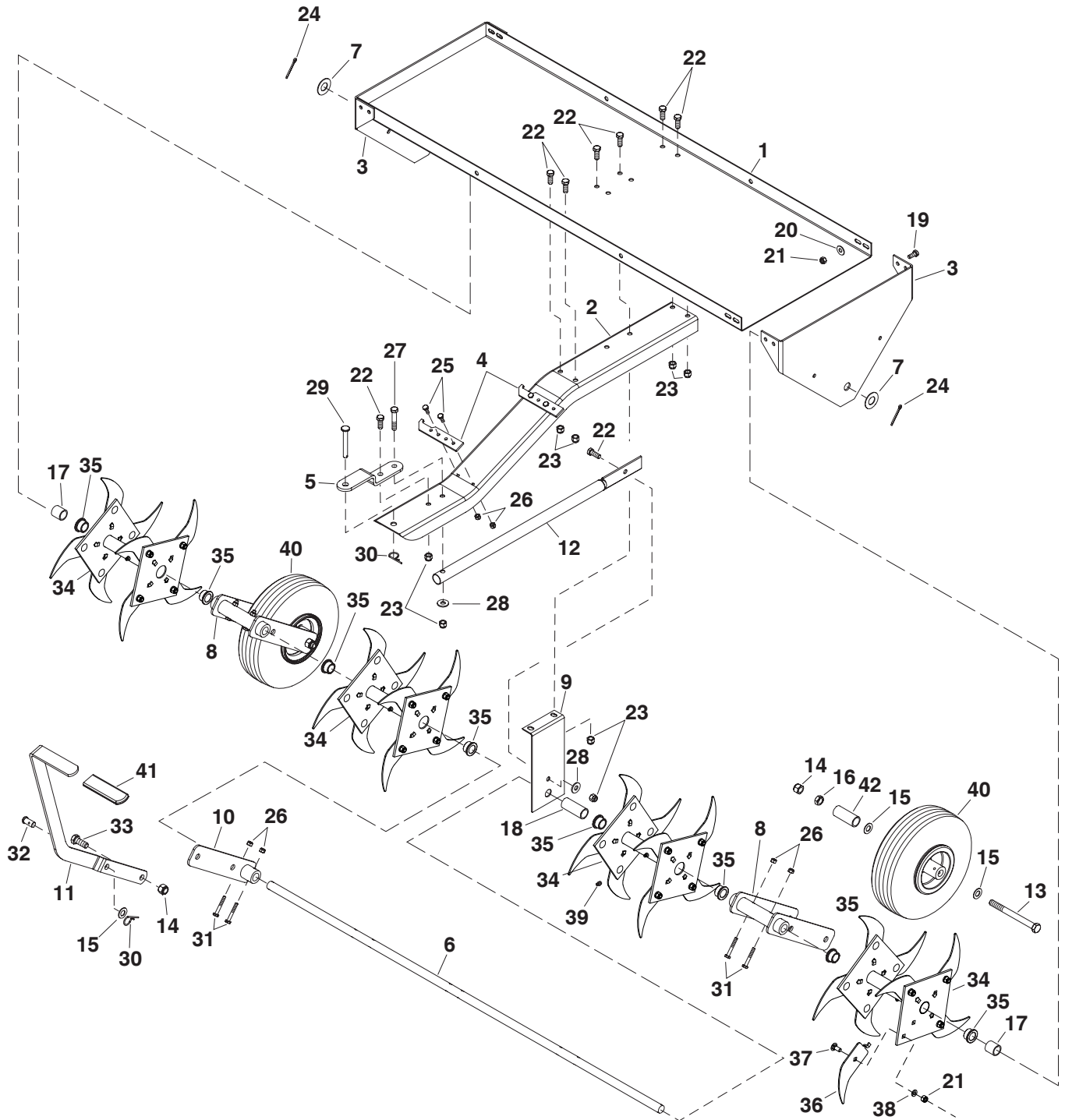


REPAIR PARTS FOR 48" SPIKE AERATOR MODEL 45-0406



REPAIR PARTS FOR 48" SPIKE AERATOR MODEL 45-0406

Ref. No.	Part No.	Qty.	Description	Ref. No.	Part No.	Qty.	Description
1	25648	1	48 in. Tray	23	HA21362	9	Hex Nut, 3/8-16 Nylock
2	25800	1	Tongue	24	43501	2	Cotter Pin, 9/64 x 1-1/2 in. Long
3	24619	2	End Plate	25	43012	4	Hex Bolt, 1/4-20 x 3/4 in. Long
4	25665	2	Lift Stop Bracket	26	47189	10	Hex Nut, 1/4-20 Nylock
5	23687	1	Hitch Bracket	27	43054	1	Hex Bolt, 3/8-16 x 2 in. Long
6	25663	1	48 in. Shaft	28	43070	2	Washer, 3/8 in.
7	43009	2	Washer	29	47623	1	Flat Head Hitch Pin, 3/8 in. x 3 in.
8	65337	2	Wheel Bracket Assembly	30	43055	2	Hair Cotter Pin, 3/32 x 1.80 in.
9	24623	1	Middle Brace	31	1509-69	6	Hex Bolt, 1/4-20 x 1-3/4 in. Long
10	65336	1	Lift Bracket Assembly	32	44056	1	Clevis Pin
11	25664	1	Lift Handle	33	43351	1	Hex Bolt, 1/2-13 x 1-1/4 in. Long
12	49791	1	Brace Tube	34	65338	4	Double Spool Assembly
13	R74760884	2	Hex Bolt, 1/2-13 x 5-1/2 in. Long	35	44798	8	Bearing, Flange
14	712-3083	3	Hex Nut, 1/2-13 Nylock	36	25833	32	Aerator Point
15	R19171616	5	Washer, 0.5312 in.	37	43080	32	Carriage Bolt, 5/16-18 x 3/4 in.
16	712-0206	2	Hex Nut, 1/2-13	38	43086	32	Lock Washer, 5/16 in.
17	44500	2	Spacer, 1.00 in. Long	39	49798	4	Grease Fitting, 1/4 in.
18	44474	1	Spacer, 2.38 in. Long	40	46503	2	Wheel/Tire Assy., 4.10/3.5-4
19	43182	8	Hex Bolt, 5/16-18 x 3/4 in. Long	41	43943	1	Handle Grip
20	43081	8	Washer, 5/16 in.	42	44593	2	Spacer, 1.75 in. Long
21	47810	40	Hex Nut, 5/16-18 Nylock		40221	1	Owners Manual
22	43001	8	Hex Bolt, 3/8-16 x 1 in. Long				

SpeedEPart *the fastest way to purchase parts* www.speedepart.com