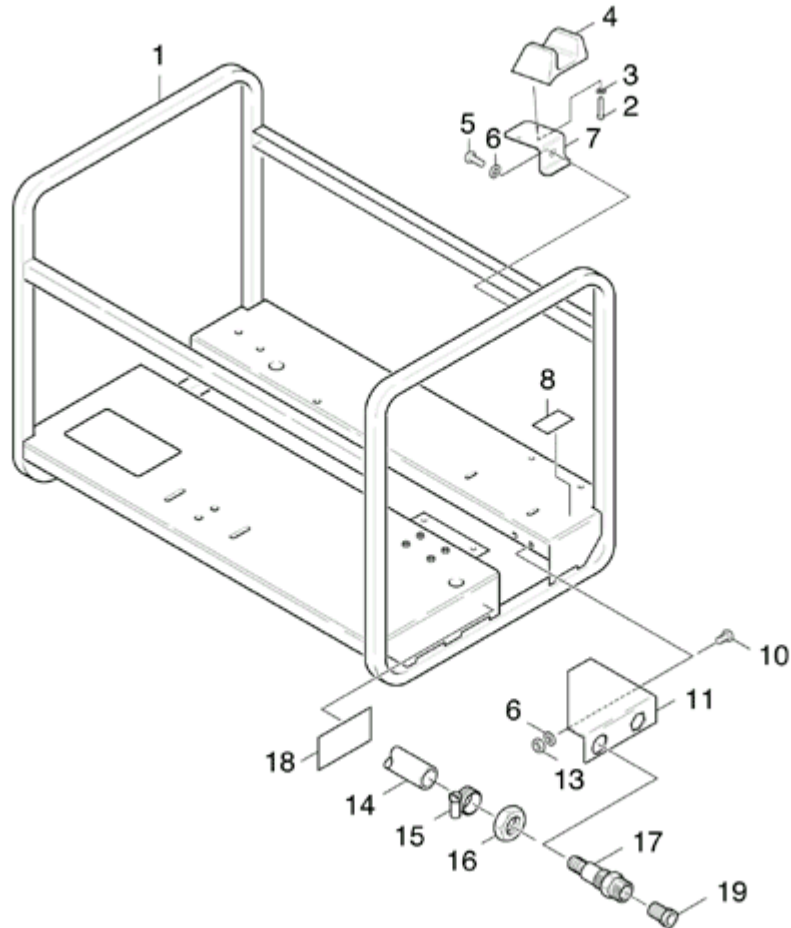


## HDS 1000BE (1.811-922) Parts List as of July 2001 Karcher Canada

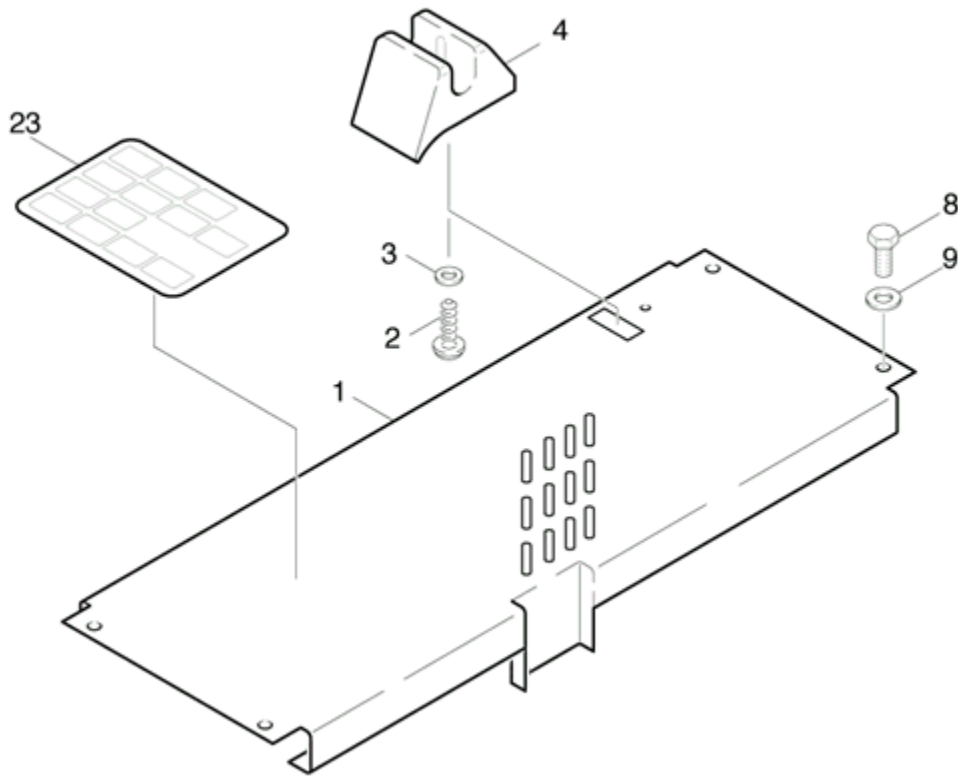
**Caution: Hazard.** Repairs or attempted repairs by untrained persons may result in damage to the pressure washer and/or personal injury as well as voiding any warranty. Customers are strongly advised to have their machine examined by a trained professional at an authorized Karcher service location.

### 1.1 Frame



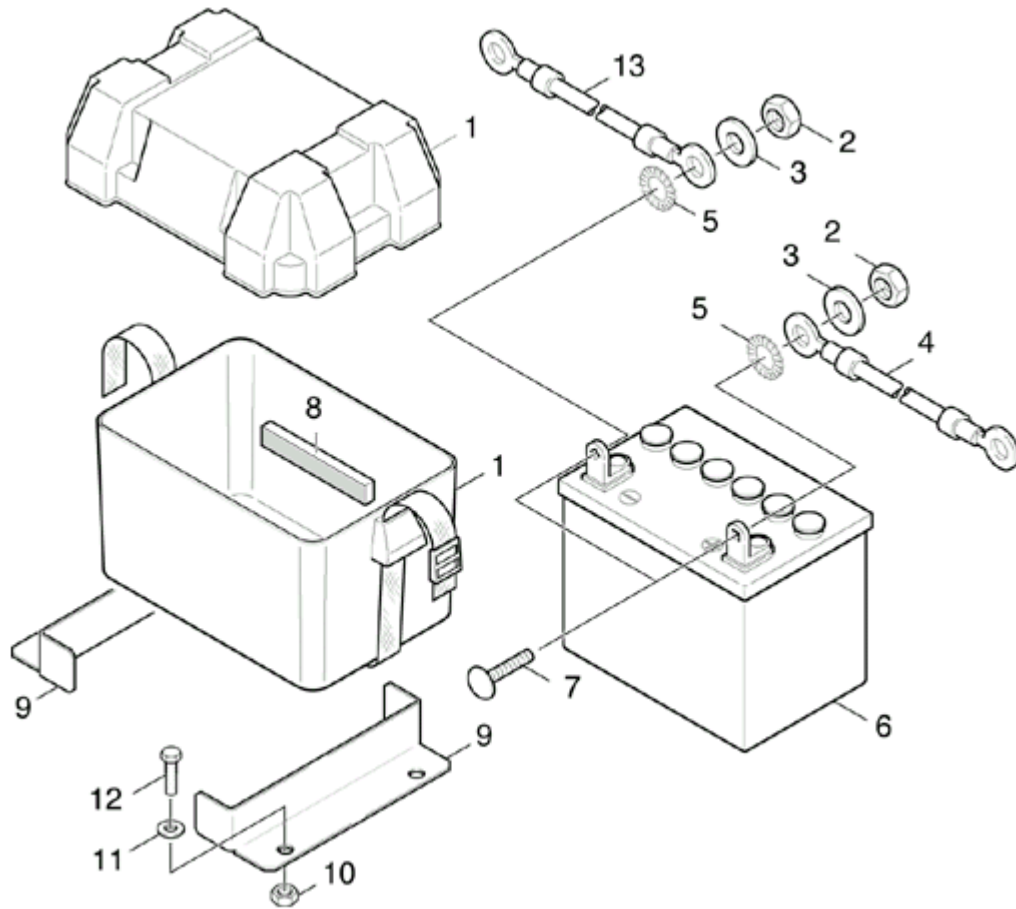
pos	description	part No.	qty	information
1	FRAME	4.050-319.0	1	
2	SHEET METAL SCREW	7.303-071.0	2	
3	WASHER	7.312-001.0	2	
4	BRACKET	5.042-402.0	1	
5	HEXAGONAL HEAD SCREW	7.304-395.0	1	
6	WASHER	7.312-277.0	5	
7	ANGLE	5.018-888.0	1	
8	DECAL	5.388-813.0	1	
10	HEXAGONAL HEAD SCREW	7.304-397.0	2	
11	BRACKET	5.042-483.0	1	
13	HEXAGON NUT	7.311-004.0	2	
14	HOSE	6.388-719.0	1	TO ORDER AS CUT GOODS
15	HOSE BAND CLIP	6.388-547.0	1	
16	HEXAGON NUT	7.311-162.0	1	
17	SCREW UNION	5.402-316.0	1	
18	DECAL	5.390-674.0	1	
19	STRAINER	6.414-252.0	1	

## 1.2 Piece Parts



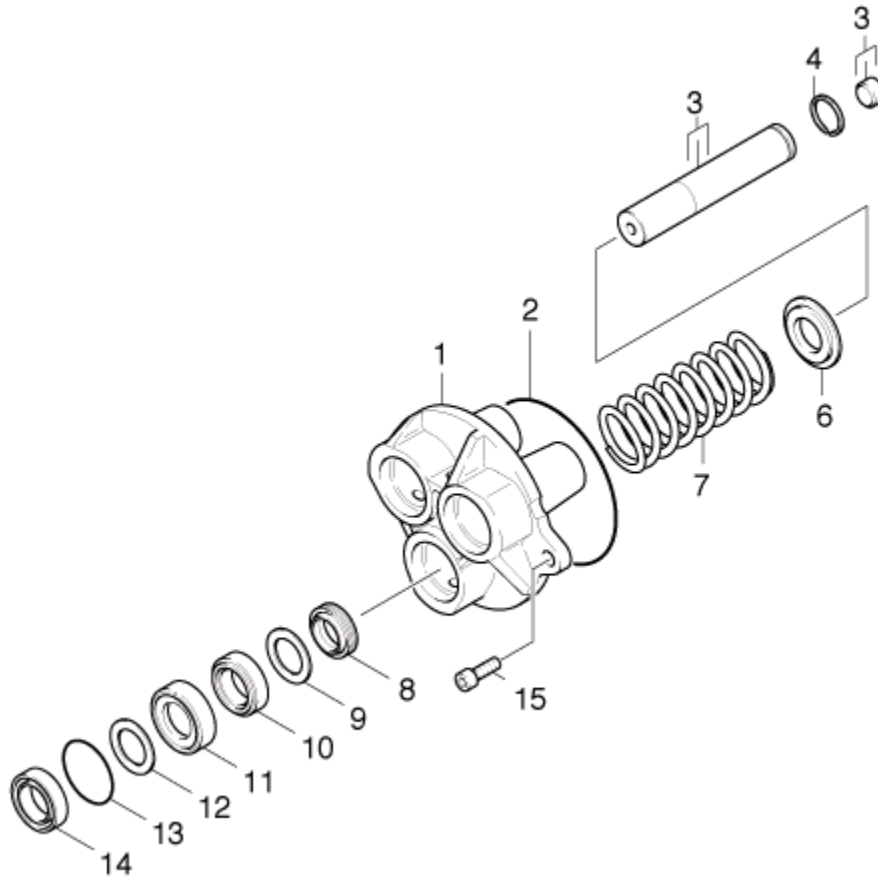
pos	description	part No.	qty	information
1	COVER	4.063-242.0	1	
2	SHEET METAL SCREW	7.303-352.0	1	
3	WASHER	7.312-001.0	1	
4	BRACKET	5.042-406.0	1	
8	HEXAGONAL HEAD SCREW	7.304-382.0	4	
9	WASHER	7.312-003.0	4	
23	INSTRUCTION MANUAL,SHORT	5.390-717.0	1	

### 1.3 Battery



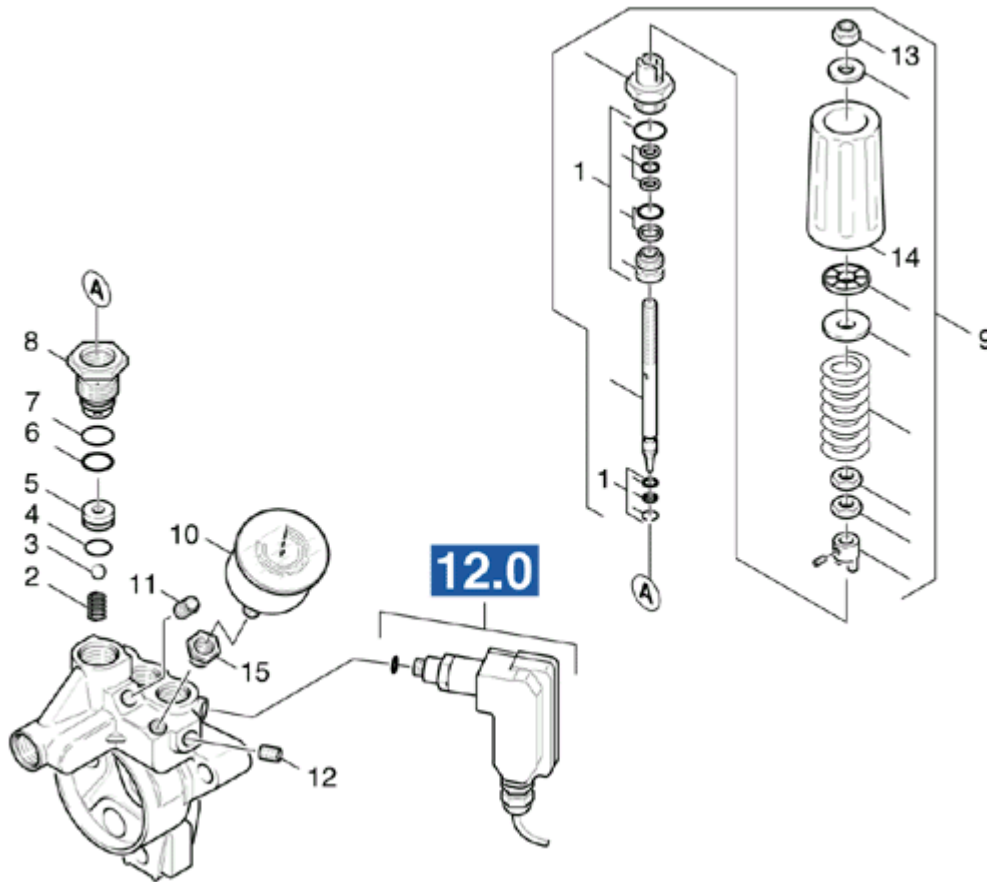
pos	description	part No.	qty	information
1	BATTERY CONTAINER	6.654-025.0	1	
2	HEXAGON NUT	7.311-800.0	2	
3	WASHER	7.312-901.0	2	
4	CABLE	4.820-732.0	1	
5	LOCK WASHER	7.312-902.0	2	
6	BATTERY	6.654-024.0	1	
7	ROUND HEAD BOLTS	7.303-800.0	2	
8	ADHESIV CLOTH TAPE	6.273-034.0	2	
9	PLATE	5.045-751.0	2	
10	HEXAGON NUT	7.311-425.0	4	
11	WASHER	7.312-276.0	4	
12	SCREW	7.306-090.0	4	
13	CABLE	4.820-946.0	1	

## 2.1 Piston



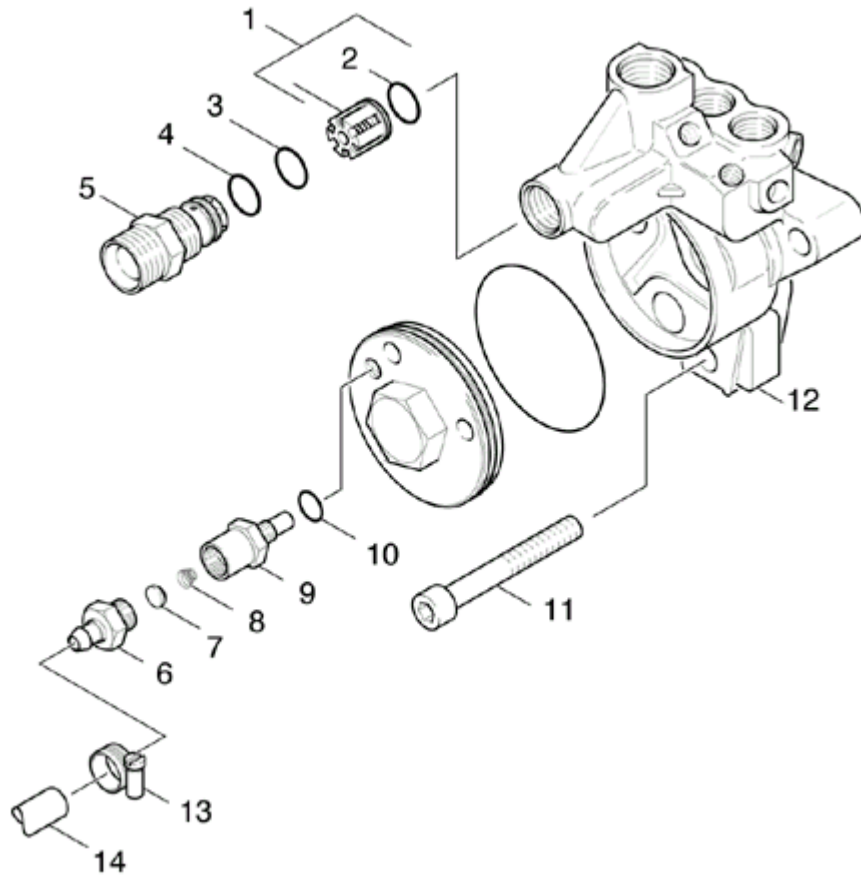
pos	description	part No.	qty	information
1	HOUSING	5.060-261.0	1	
2	GASKET	6.362-448.0	1	
3	PISTON	4.553-105.0	3	
4	SPRING RING	6.472-331.0	3	
6	WASHER	5.115-289.0	3	
7	HELICAL SPRING	5.332-150.0	3	
8	GROOVED RING	6.365-052.0	3	
9	WASHER	5.115-255.0	3	
10	SEAL	6.365-053.0	3	
11	BUSH	5.112-181.0	3	
12	WASHER	5.115-224.0	3	
13	GASKET	6.362-484.0	3	
14	GROOVED RING	6.365-330.0	3	
15	CHEESE HEAD SCREW	7.306-042.0	2	
100	PUMP SET	2.883-285.0	1	

## 2.2 Spill Valve



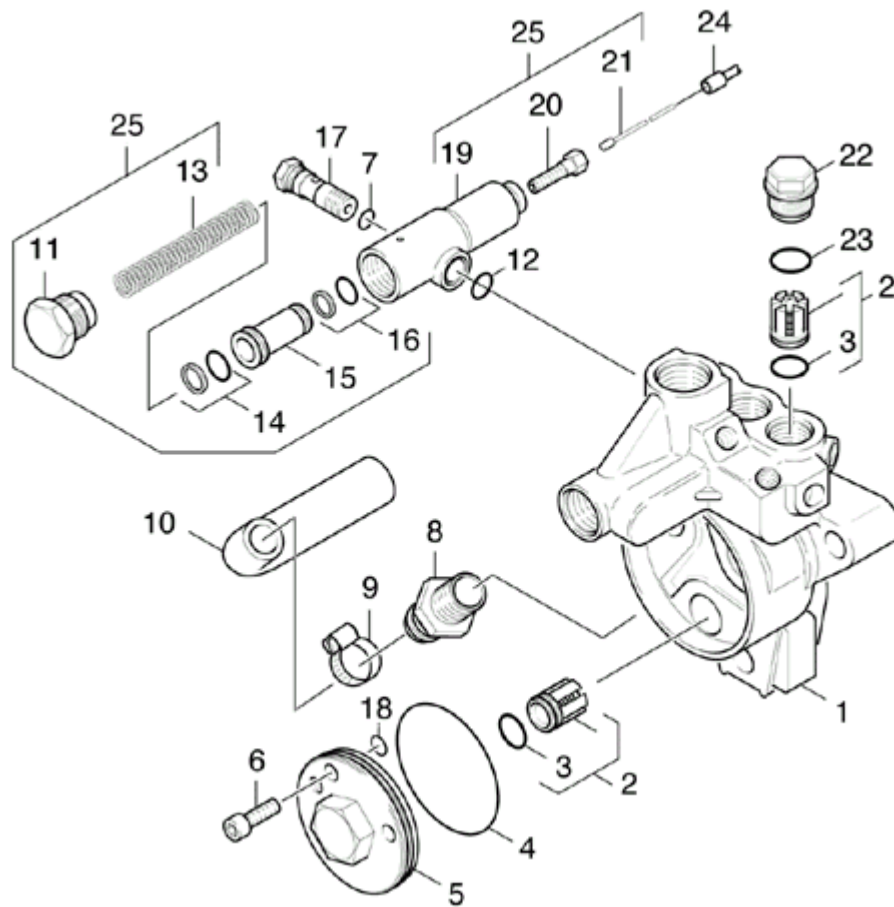
pos	description	part No.	qty	information
1	SPARE PARTS KIT	6.412-043.0	1	
2	HELICAL SPRING	5.332-066.0	1	
3	BALL	7.401-928.0	1	
4	GASKET	6.362-481.0	1	
5	VALVE SEAT	5.581-160.0	1	
6	GASKET	6.362-799.0	1	
7	GASKET	6.362-079.0	1	
8	SCREW	5.305-193.0	1	
9	SPILL VALVE	6.412-049.0	1	
10	PRESSURE GAUGE	6.421-133.0	1	
11	CLOSING SCREW	7.382-301.0	1	
12	CLOSING SCREW	7.382-300.0	1	
13	HEXAGON NUT	7.311-439.0	1	
14	CAP	6.412-045.0	1	
15	REDUCING NIPPLE	6.385-786.0	1	
100	PUMP SET	2.883-285.0	1	

## 2.3 Chemistry



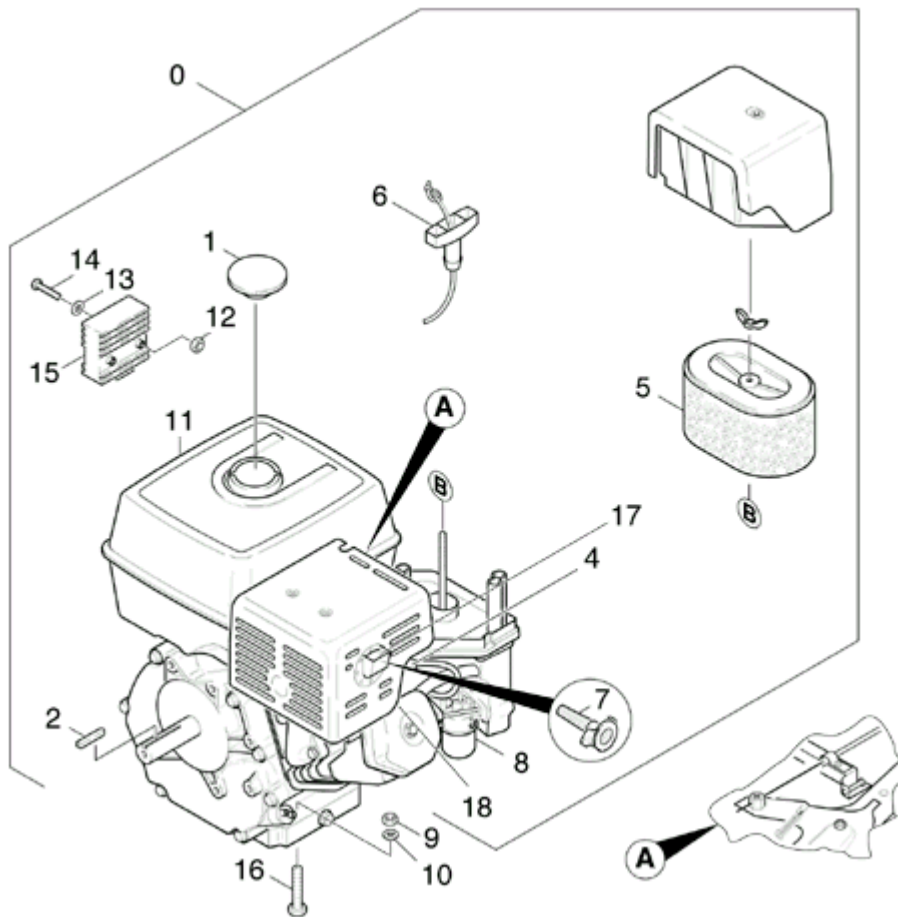
pos	description	part No.	qty	information
1	VALVE	4.580-219.0	1	
2	GASKET	6.362-381.0	1	
3	GASKET	6.362-481.0	1	
4	GASKET	6.362-153.0	1	
5	NOZZLE INSERT	5.769-115.0	1	
6	VALVE SEAT	5.581-128.0	1	
7	VALVE DISC	5.582-003.0	1	
8	HELICAL SPRING	5.332-004.0	1	
9	VALVE HOUSING	5.587-185.0	1	
10	GASKET	6.362-527.0	1	
11	CHEESE HEAD SCREW	7.306-122.0	3	
12	CYLINDER HEAD	5.550-183.0	1	
13	HOSE BAND CLIP	6.388-515.0	1	
14	HOSE	6.388-194.0	1	TO ORDER AS CUT GOODS
100	PUMP SET	2.883-285.0	1	

## 2.4 Speed Control



pos	description	part No.	qty	information
2	VALVE	4.580-175.0	6	
3	GASKET	6.362-481.0	6	
4	GASKET	6.362-501.0	1	
5	COVER	5.063-470.0	1	
6	CHEESE HEAD SCREW	7.306-062.0	3	3
7	GASKET	6.362-384.0	1	
8	HOSE STEM	6.388-612.0	1	
9	HOSE BAND CLIP	6.388-547.0	1	1
10	HOSE	5.442-747.0	1	
11	CLOSING SCREW	5.411-081.0	1	
12	GASKET	6.362-527.0	1	
13	HELICAL SPRING	5.332-232.0	1	
14	GASKET	6.362-611.0	1	
15	PISTON	5.553-222.0	1	
16	GASKET	6.362-575.0	1	
17	HOLLOW SCREW	5.404-063.0	1	1
18	GASKET	6.362-402.0	3	
19	HOUSING	5.060-335.0	1	
20	ADJUSTING SCREW	6.431-054.0	1	1
21	STRAND	6.431-090.0	1	
22	VALVE SCREW	5.583-090.0	3	
23	GASKET	6.362-153.0	3	
24	WIRE CAGE	6.431-055.0	1	
25	SPEED CONTROL	4.741-012.0	1	1
100	PUMP SET	2.883-285.0	1	

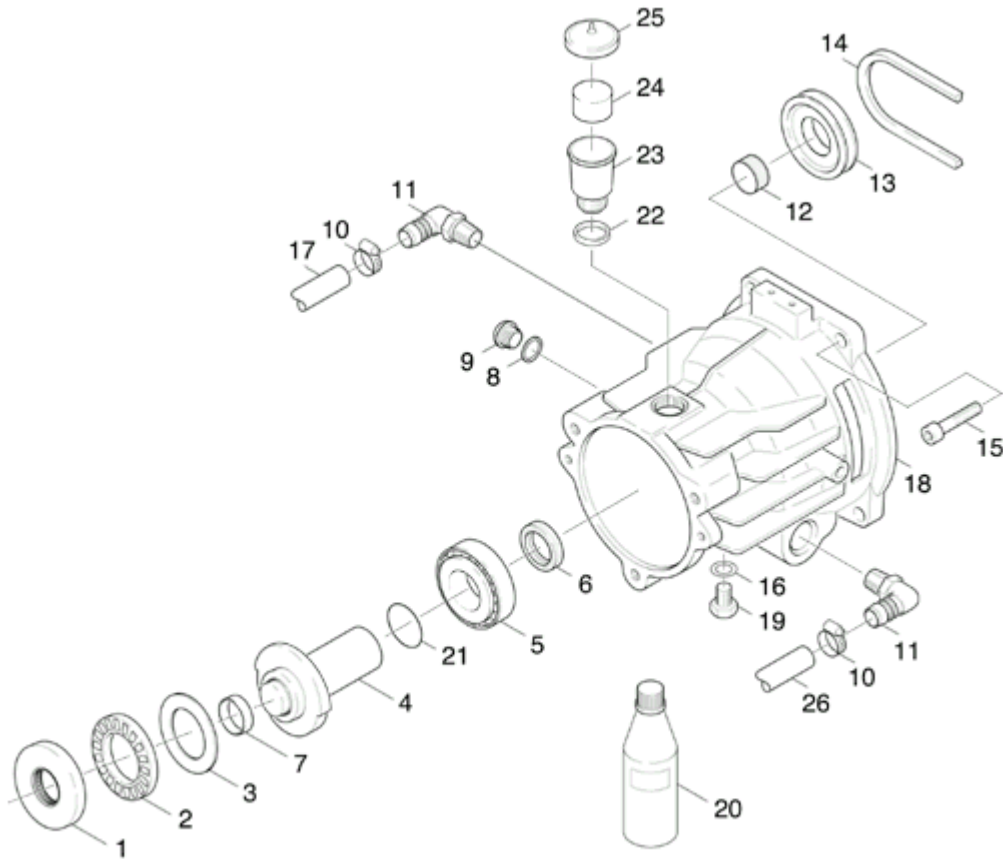
### 3.1 Motor



pos	description	part No.	qty	information
0	GASOLINE ENGINE	6.491-539.0	1	
1	CAP OF A TANK	6.491-347.0	1	
2	SPRING	6.491-564.0	1	
4	IGNITION PLUG	6.618-090.0	1	
5	AIR FILTER ELEMENT	6.491-345.0	1	
6	STARTER ROPE	6.491-350.0	1	
7	SPARK ARRESTER	6.661-190.0	1	
8	STARTER	6.491-238.0	1	
9	HEXAGON NUT	7.311-423.0	4	
10	WASHER	7.312-005.0	4	
10	WASHER	7.312-277.0	4	
11	PETROL TANK	6.491-352.0	1	
12	HEXAGON NUT	7.311-425.0	1	
13	WASHER	7.312-003.0	1	
14	HEXAGONAL HEAD SCREW	7.304-386.0	1	
15	CONTROL DEVICE	6.491-240.0	1	
16	HEXAGONAL HEAD SCREW	7.304-426.0	4	
17	DEFLECTOR	6.491-237.0	1	
18	IGNITION COIL	6.491-349.0	1	

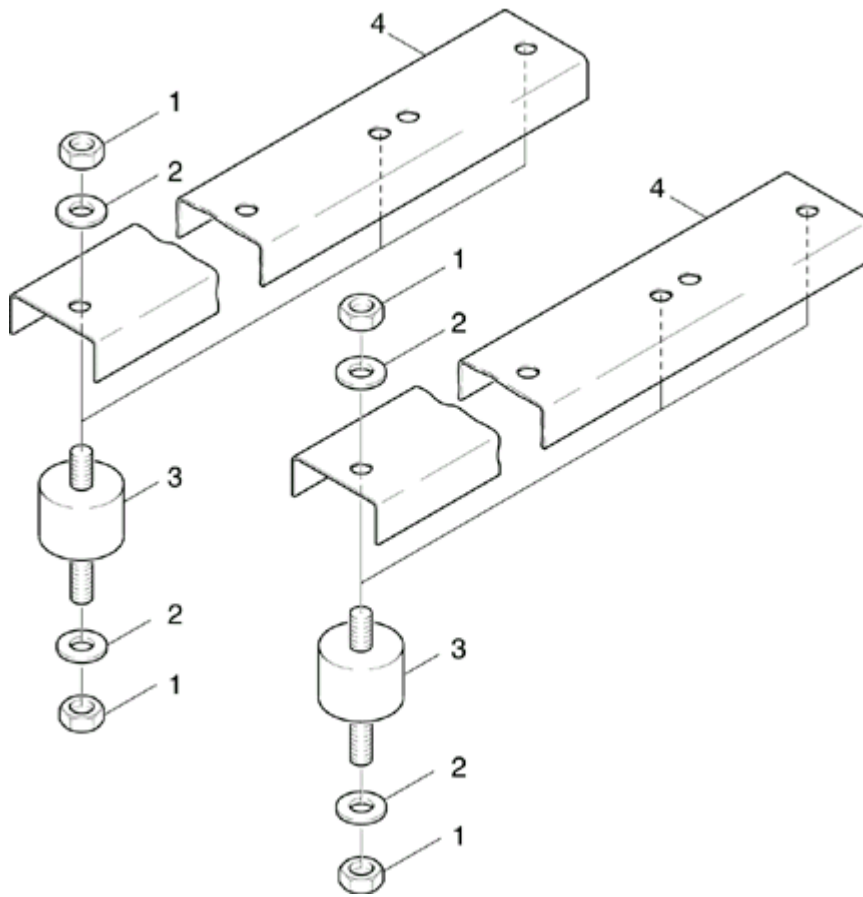


### 3.2 Gear



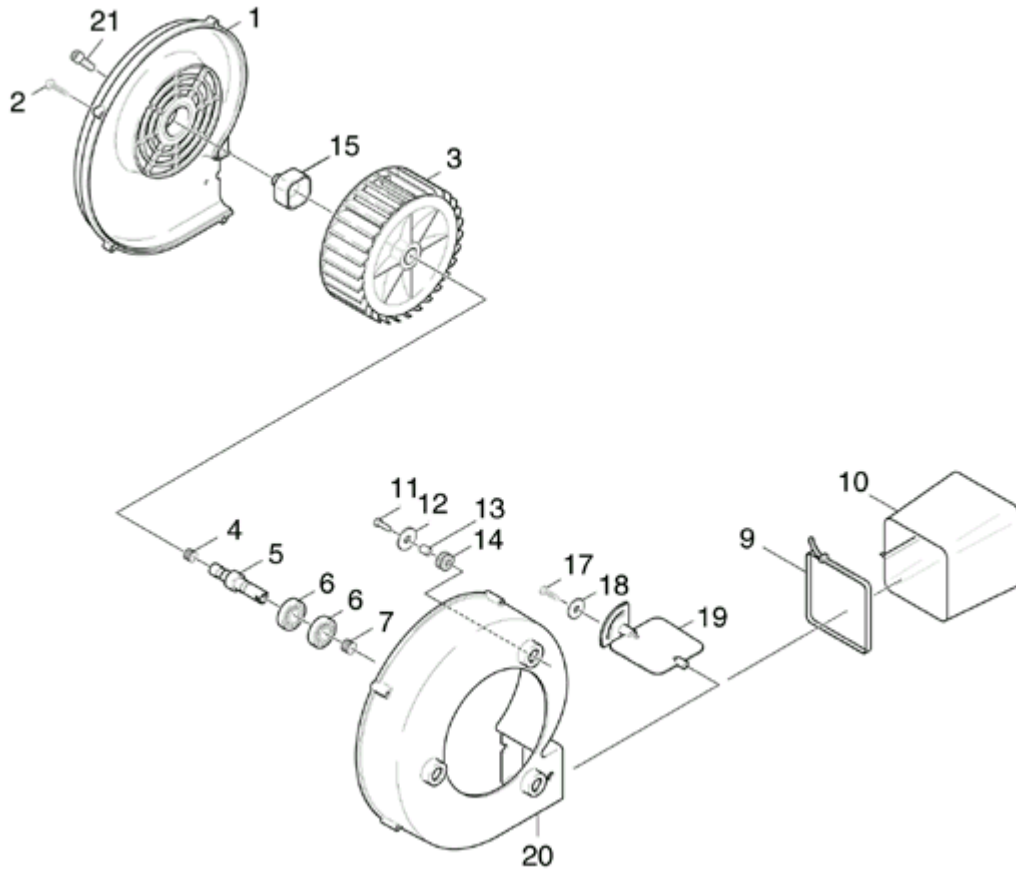
pos	description	part No.	qty	information
1	PRESSURE DISC	6.401-124.0	1	
2	THRUST ROLLER BEARING	6.401-123.0	1	1
3	ROTOR DISC	6.401-122.0	1	
4	SWASH PLATE	4.120-146.0	1	
5	TAPER ROLLER BEARIN	6.401-225.0	1	1
6	ROTARY SHAFT SEAL	7.367-011.0	1	1
7	INNER RING	6.401-121.0	1	
8	SEAL	6.362-585.0	1	
9	CLOSING SCREW	5.411-062.0	1	1
10	HOSE BAND CLIP	6.388-547.0	2	
11	ANGLE SOCKET	6.388-716.0	2	
12	TOLERANCE RING	6.343-014.0	1	1
13	PULLEY	5.625-226.0	1	
14	V-BELT	7.348-230.0	1	
15	SCREW	6.304-035.0	4	
16	JOINT RING	7.362-005.0	1	1
17	HOSE	5.442-443.0	1	
18	HOUSING	5.060-568.0	1	
19	CLOSING SCREW	7.382-233.0	1	1
20	ENGINE OIL	6.288-050.0	1	
21	GASKET	6.362-612.0	1	
22	JOINT RING	5.363-226.0	1	1
23	TANK	5.070-194.0	1	
24	PLUG	5.132-107.0	1	
25	COVER	5.063-651.0	1	
26	HOSE	6.388-162.0	1	TO ORDER AS CUT GOODS

### 3.3 Piece Parts



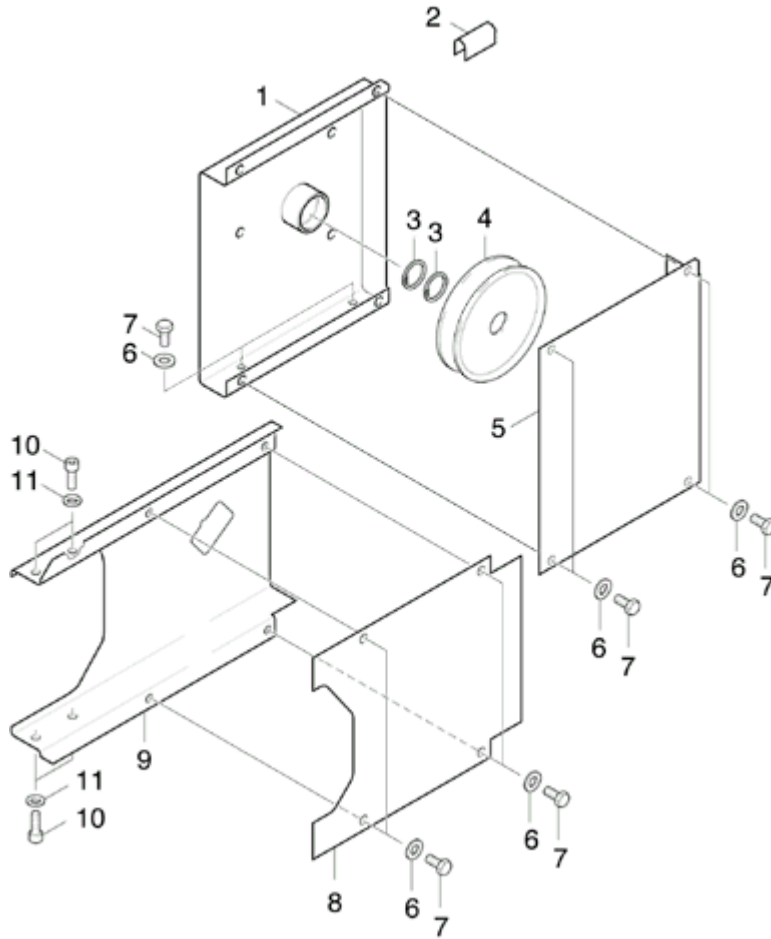
pos	description	part No.	qty	information
1	HEXAGON NUT	7.311-427.0	12	
2	WASHER	7.312-004.0	12	
3	RUBBER BUFFER	6.339-012.0	6	
4	U-PROFILE	5.023-203.0	2	

#### 4.1 Blower



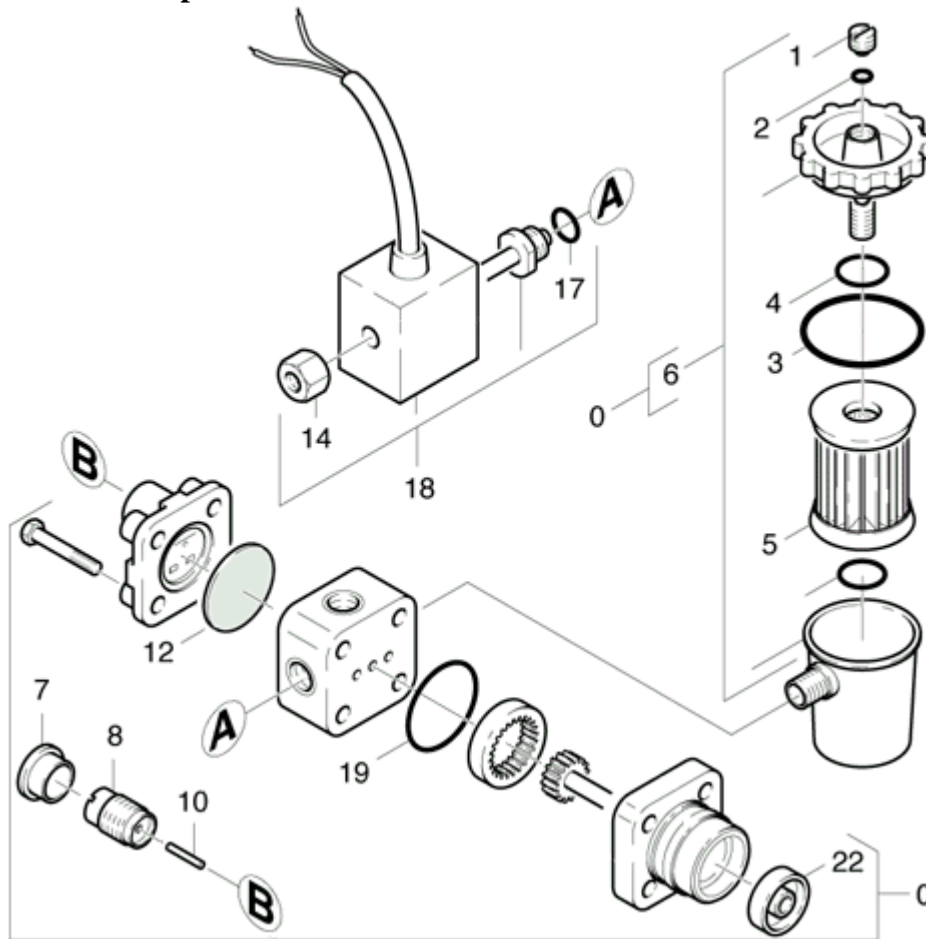
pos	description	part No.	qty	information
1	COVER	5.063-274.0	1	
2	OVAL HEAD SCREW	6.303-089.0	5	
3	RUNNING WHEEL	5.600-021.0	1	
4	TOLERANCE RING	6.343-166.0	1	
5	SHAFT	5.100-185.0	1	
6	BALL BEARING	7.401-115.0	2	
7	TOLERANCE RING	6.343-031.0	1	
9	BANNER	6.388-608.0	2	
10	CLOTH COLLAR	5.178-020.0	1	
11	SELF-TAPPING SCREW	6.303-076.0	3	
12	WASHER	7.312-264.0	3	
13	SLEEVE	5.110-306.0	3	
14	RUBBER RING	5.379-011.0	3	
15	COUPLING ELEMENT	5.471-060.0	1	
17	SHEET METAL SCREW	7.303-362.0	1	
18	WASHER	7.312-278.0	1	
19	AIR FLAP	5.606-002.0	1	
20	HOUSING	5.605-143.0	1	
21	CHEESE HEAD SCREW	6.304-018.0	1	

## 4.2 Blower



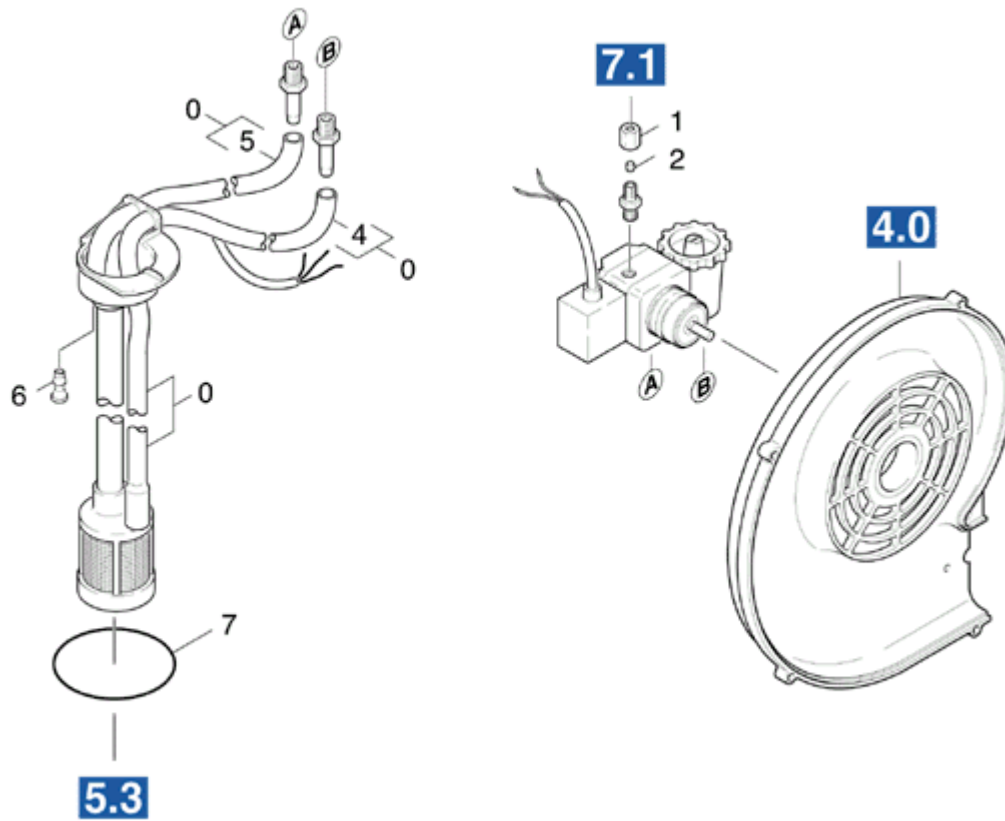
pos	description	part No.	qty	information
1	PLATE	4.038-439.0	1	
2	RUBBER PROFILE	6.273-069.0	1	TO ORDER AS CUT
<b>GOODS</b>				
3	SPRING CLIP	7.343-231.0	2	
4	PULLEY	5.625-225.0	1	
5	PLATE	5.046-914.0	1	
6	WASHER	7.312-004.0	10	
7	HEXAGONAL HEAD SCREW	7.304-395.0	10	
8	PLATE	5.046-913.0	1	
9	PLATE	4.038-438.0	1	
10	CHEESE HEAD SCREW	7.306-159.0	4	
11	WASHER	7.312-003.0	4	

## 5.1 Fuel Pump



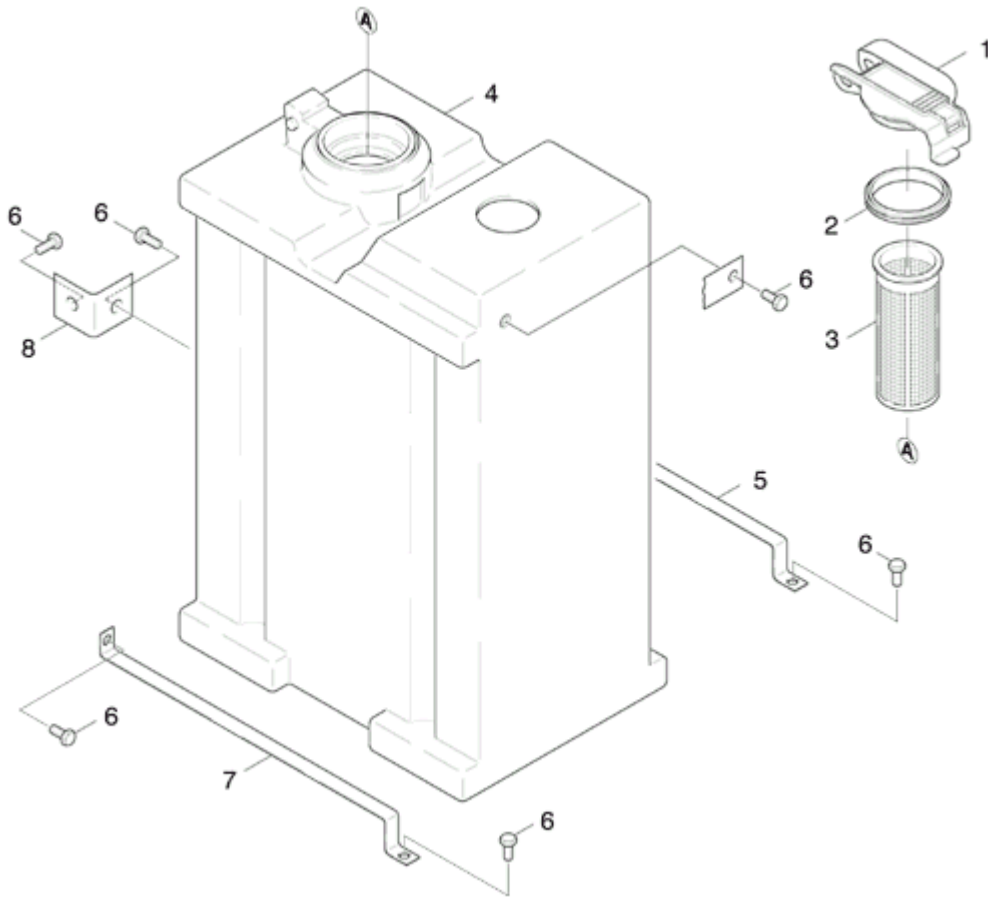
pos	description	part No.	qty	information
0	FUEL PUMP	6.472-925.0	1	
1	VENT SCREW	6.472-107.0	1	
2	GASKET	6.472-106.0	1	
3	GASKET	6.472-111.0	1	
4	GASKET	6.472-112.0	1	
5	FILTER CARTRIDGE	6.472-113.0	1	
6	FILTER CASE	6.472-123.0	1	
7	PROTECTING CAP	6.472-122.0	1	
8	SPRING HOUSING	6.472-109.0	1	
10	PIN	6.472-108.0	1	
12	DIAPHRAGM	6.472-128.0	1	
14	KNURLED NUT	6.472-340.0	1	
17	GASKET	6.472-125.0	1	
18	SOLENOID VALVE	6.472-928.0	1	
19	GASKET	6.472-120.0	1	
22	SHAFT SEAL	6.472-105.0	1	

## 5.2 Suction Pipe



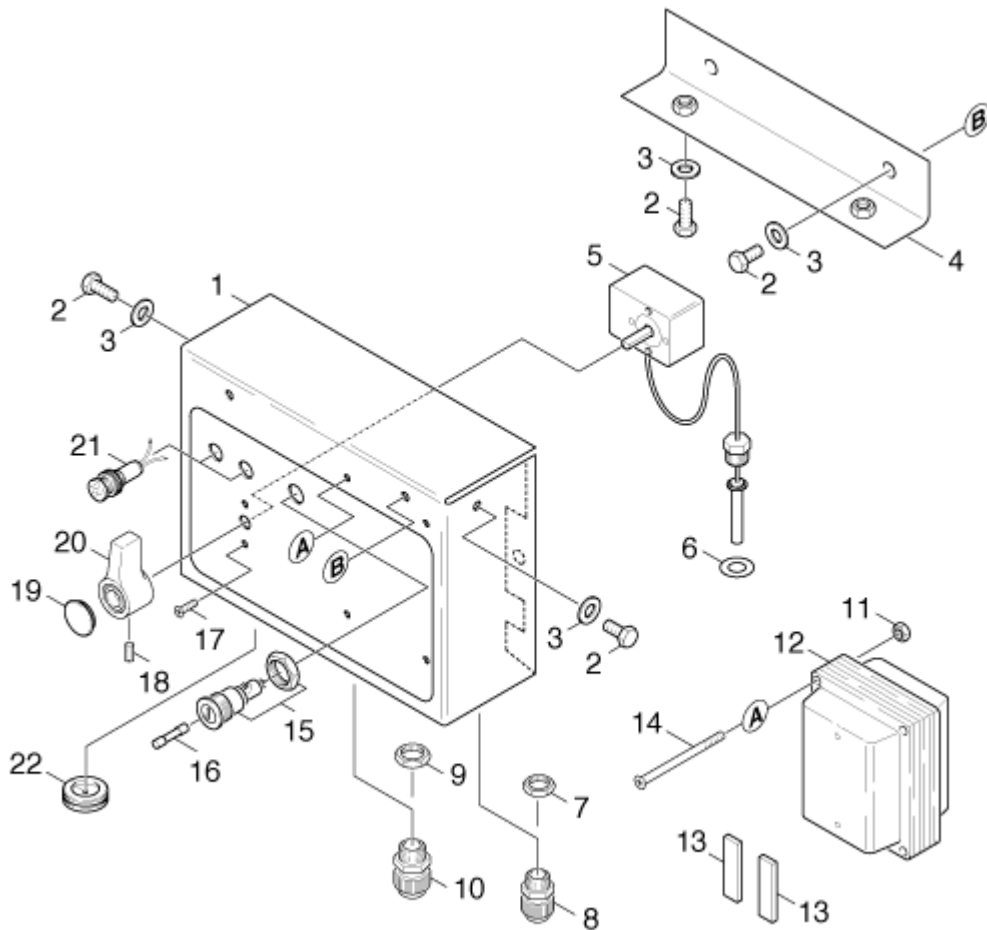
pos	description	part No.	qty	information
0	PIPELINES	4.421-263.0	1	
1	UNION NUT	6.386-506.0	1	
2	OLIVE	6.386-505.0	1	
4	HOSE	6.389-968.0	1	
5	HOSE	6.389-969.0	1	
6	SLEEVE	5.110-532.0	1	
7	JOINT RING	5.363-306.0	1	

### 5.3 Tank



pos	description	part No.	qty	information
1	COVER	5.063-664.0	1	
2	JOINT RING	5.363-300.0	1	
3	FILTER	5.731-039.0	1	
4	FUEL TANK	5.071-085.0	1	
5	STRAP	5.034-502.0	1	
6	HEXAGONAL HEAD SCREW	7.304-394.0	7	
7	STRAP	5.034-503.0	1	
8	ANGLE	5.019-357.0	1	

## 6.1 Electric Control Box

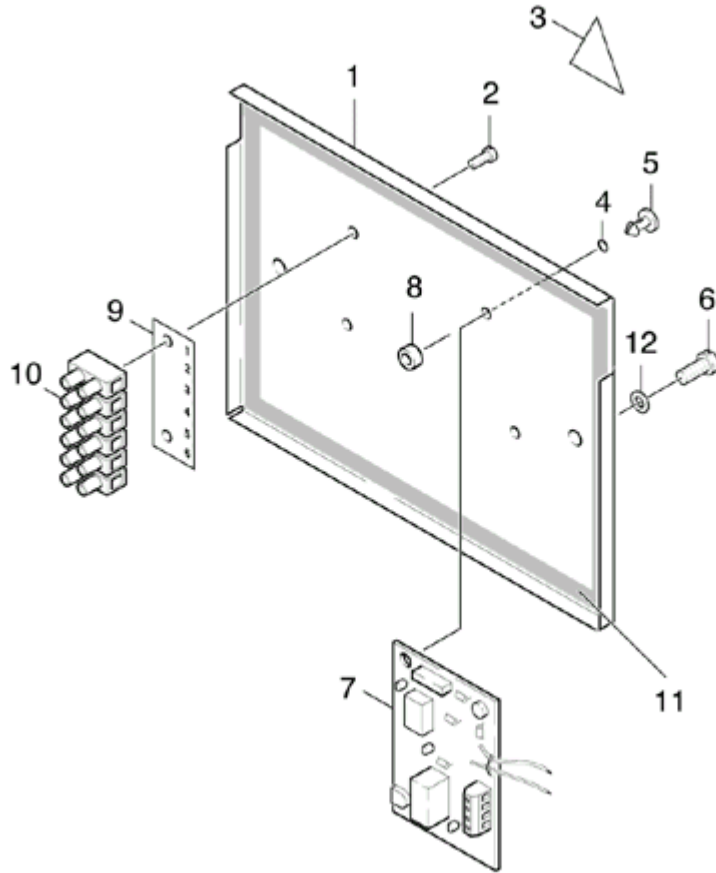


pos	description	part No.	qty	information
1	ELECTRIC CONTROL BOX	4.800-181.0	1	
2	HEXAGONAL HEAD SCREW	7.304-382.0	6	
3	WASHER	7.312-003.0	6	
4	ANGLE 4.021-108.0		1	
5	THERMOSTAT	6.685-949.0	1	
6	WASHER	5.115-375.0	1	
7	COUNTERNUT	6.641-756.0	2	
8	CABLE CONNECTOR	6.641-278.0	2	
9	COUNTERNUT	6.641-366.0	8	
10	CABLE CONNECTOR	6.641-355.0	8	
11	HEXAGON NUT	7.311-421.0	4	
12	TRANSFORMER	6.622-142.0	1	
13	CELL. RUBBER BAND	6.273-043.0	2	
14	FLAT HEADED SCREW	7.305-535.0	4	
15	RETAINER	6.644-248.0	1	
16	FUSE	6.644-198.0	1	
17	FLAT HEADED SCREW	6.305-001.0	2	
18	THREADED PIN	7.307-181.0	1	
19	PLUG	5.132-010.0	1	
20	HANDLE	5.321-177.0	1	
21	PILOT LAMP	6.651-244.0	2	
22	SEAL	5.365-109.0	1	

TO ORDER AS CUT GOODS

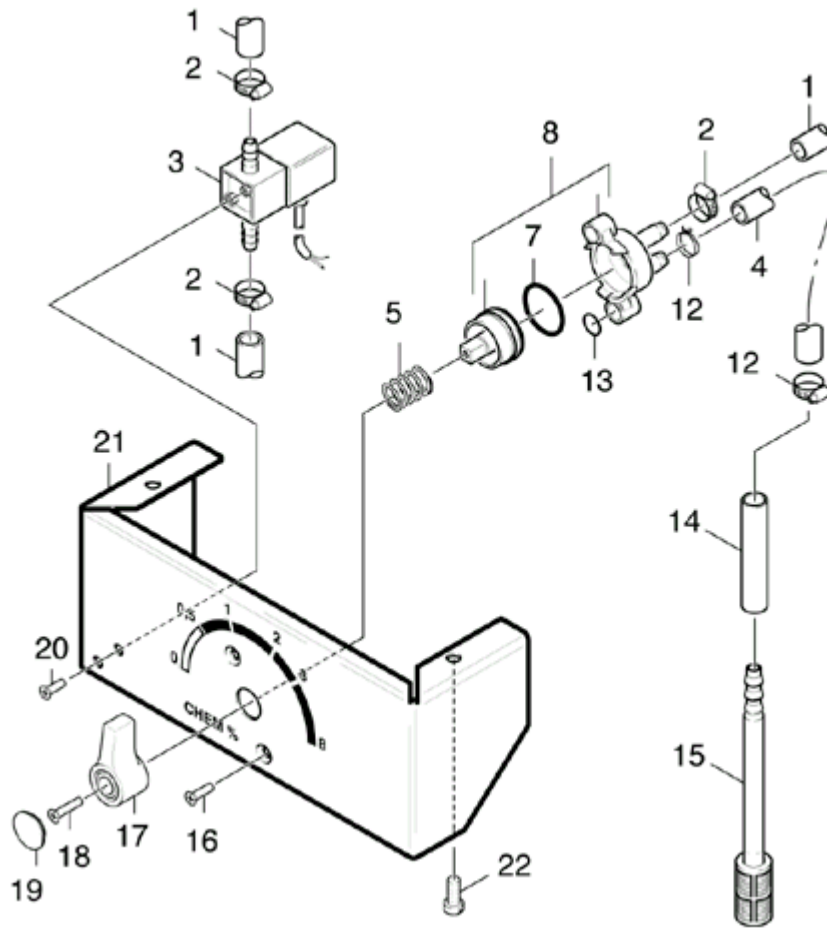


## 6.2 Electric Control Box



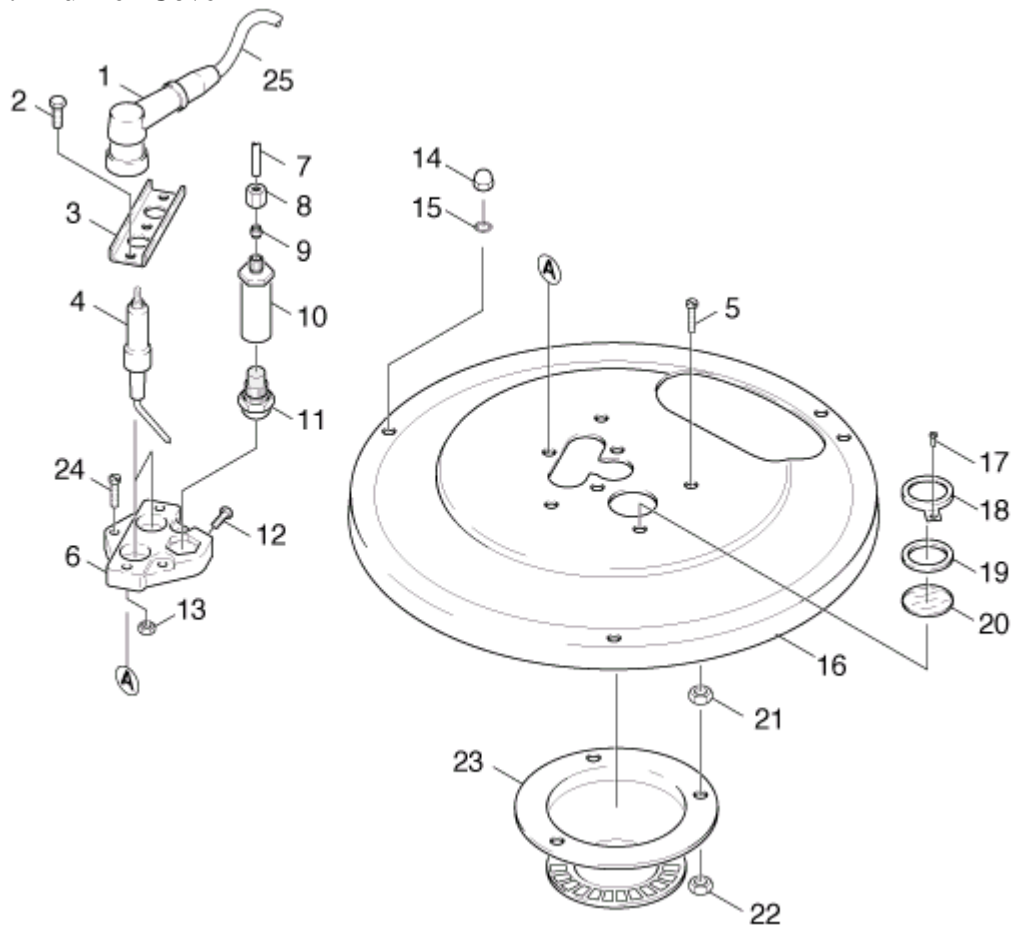
pos	description	part No.	qty	information
1	PLATE	5.046-912.0	1	
2	SELF-TAPPING SCREW	7.303-507.0	2	
3	DECAL	5.386-007.0	1	
4	GASKET	6.362-452.0	2	
5	SPACER	6.646-322.0	2	
6	OVAL HEAD SCREW	7.306-310.0	2	
7	PULSE GENERATOR	6.633-371.0	1	
8	SLEEVE	6.347-080.0	2	
9	GAPARIT	6.643-335.0	1	
10	STRIP TERMINAL	6.643-249.0	1	
11	CELL. RUBBER BAND	6.273-043.0	1	TO ORDER AS CUT
GOODS				
12	WASHER	7.312-003.0	2	

### 6.3 Electric Control Box



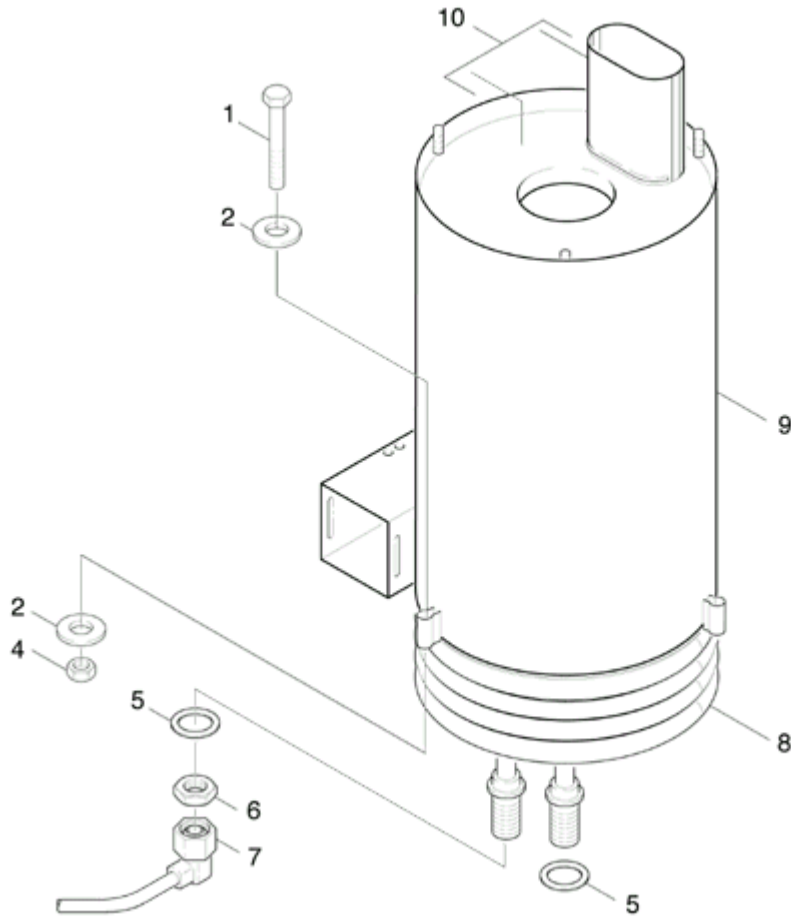
pos	description	part No.	qty	information
1	HOSE	6.388-194.0	1	TO ORDER AS CUT GOODS
2	HOSE BAND CLIP	6.388-515.0	3	
3	SOLENOID VALVE	6.686-026.0	1	
4	HOSE	6.388-225.0	1	TO ORDER AS CUT GOODS
5	HELICAL SPRING	5.332-028.0	1	
7	GASKET	6.362-712.0	1	
8	VALVE	4.580-188.0	1	
12	HOSE BAND CLIP	6.388-559.0	2	
13	GASKET	6.362-386.0	1	
14	PIPE	5.025-747.0	1	
15	FILTER	6.414-136.0	1	
16	FLAT HEADED SCREW	7.305-255.0	2	
17	HANDLE	5.321-023.0	1	
18	FLAT HEADED SCREW	7.305-023.0	1	
19	PLUG	5.132-010.0	1	
20	SHEET METAL SCREW	7.303-081.0	2	
21	PLATE	5.045-537.0	1	
22	SCREW	7.303-038.0	2	

## 7.1 Burner Cover



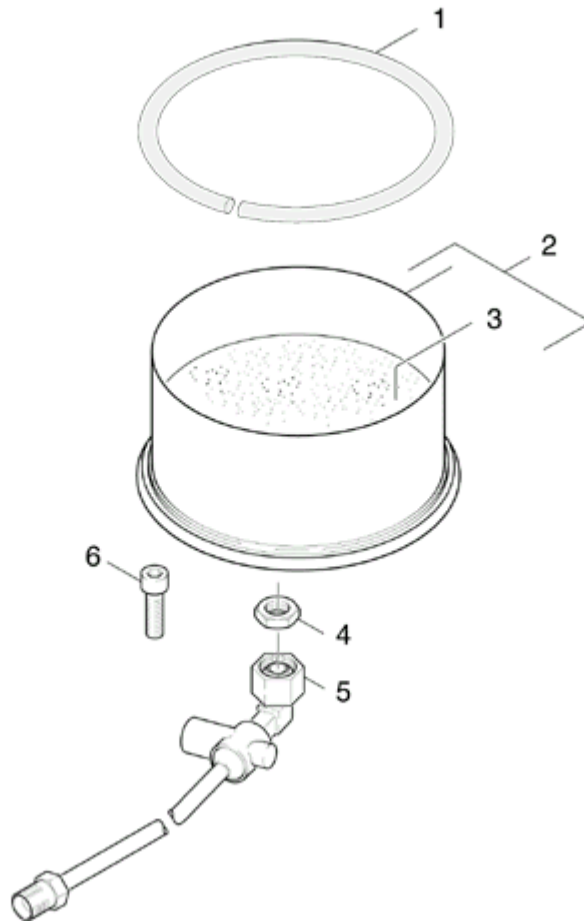
pos	description	part No.	qty	information
1	SPARK PLUG SOCKET	6.618-057.0	2	
2	HEXAGONAL HEAD SCREW	7.309-019.0	3	
3	RETAINER CLIP	5.004-228.0	1	
4	SPARE PARTS KIT	2.880-177.0	1	
5	CHEESE HEAD SCREW	7.306-443.0	3	
6	SPARK HOLDER	5.668-001.0	1	
7	PIPE	5.423-228.0	1	
8	UNION NUT	6.386-506.0	1	
9	OLIVE	6.386-505.0	1	
10	NOZZLE HOLDER	5.667-048.0	1	
11	NOZZLE	6.415-040.0	1	
12	SCREW	7.306-076.0	1	
13	HEXAGON NUT	7.311-037.0	3	
14	CAP NUT	7.311-380.0	3	
15	LOCK WASHER	7.312-167.0	3	
16	COVER	4.654-089.0	1	
17	SHEET METAL SCREW	7.303-012.0	1	
18	PLATE	5.000-590.0	1	
19	SEAL	5.364-100.0	1	
20	GLASS PANE	6.278-014.0	1	
21	HEXAGON NUT	7.311-003.0	3	
22	HEXAGON NUT	7.311-002.0	3	
23	BURNER CAGE	4.663-082.0	1	
24	SCREW	7.306-077.0	3	
25	IGNITION CABLE	6.641-180.0	1	TO ORDER AS CUT GOODS

## 7.2 Heating Coil



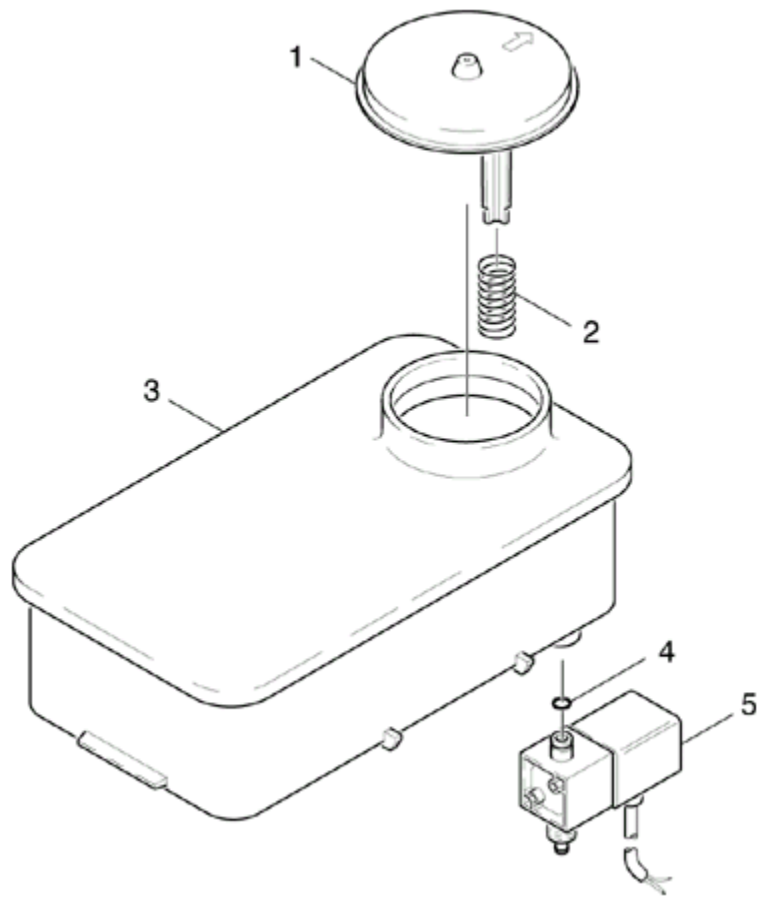
pos	description	part No.	qty	information
1	HEXAGONAL HEAD SCREW	7.304-421.0	3	
2	WASHER	7.312-005.0	6	
4	HEXAGON NUT	7.311-423.0	3	
5	SEAL	5.365-068.0	2	
6	HEXAGON NUT	7.311-155.0	2	
7	PIPELINES	4.421-168.0	1	
8	HEATING COIL	4.680-080.0	1	
9	OUTER JACKET	4.652-091.0	1	
10	BURNER CAGE	4.663-081.0	1	

### 7.3 Burner Bottom



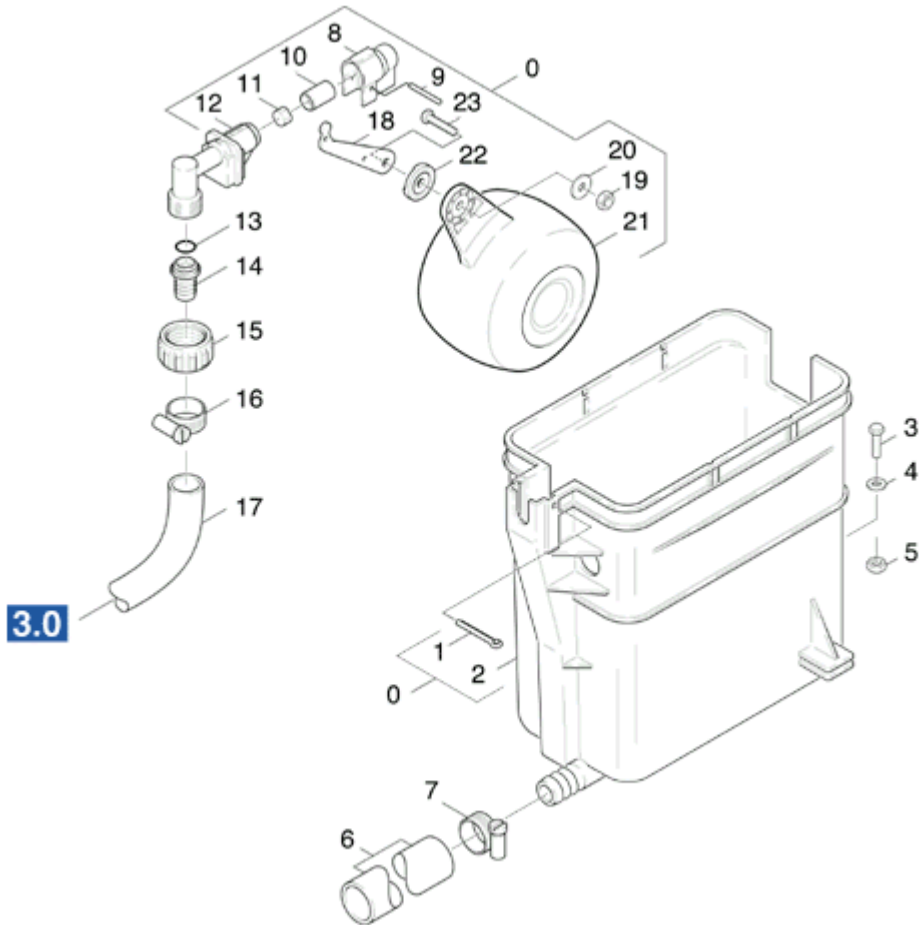
pos	description	part No.	qty	information
1	SEAL STRING	6.366-009.0	1	
2	BOTTOM	4.655-044.0	1	
3	REFRACTORY MATERIAL	6.286-026.0	1	
4	HEXAGON NUT	7.311-155.0	1	
5	PIPELINES	4.421-264.0	1	
6	CHEESE HEAD SCREW	7.306-060.0	1	

## 8.1 DGT



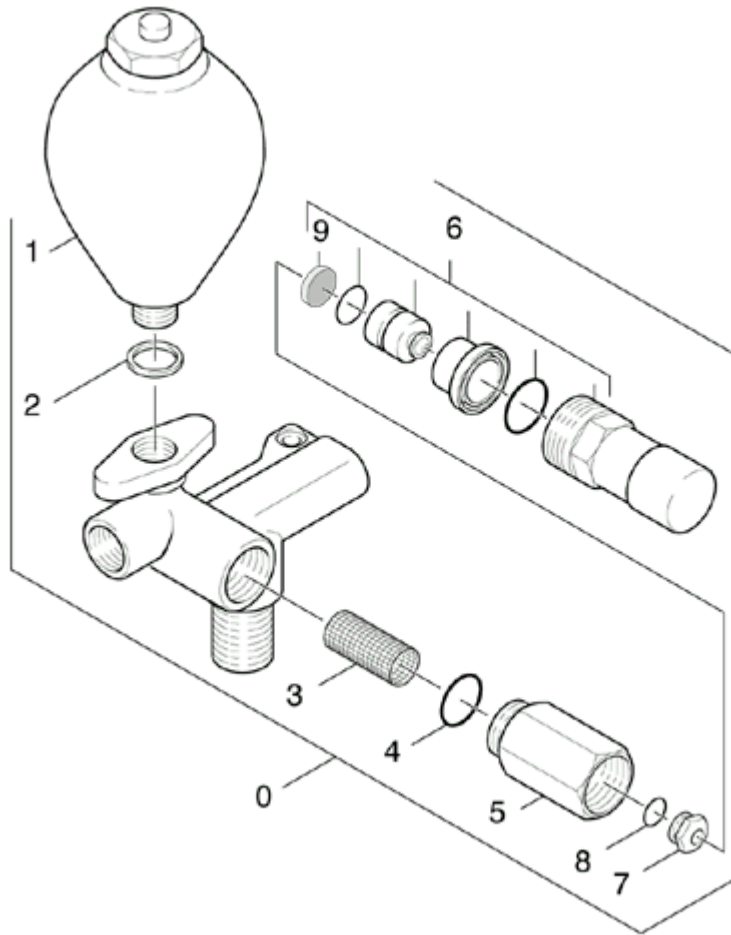
pos	description	part No.	qty	information
1	COVER	5.063-226.0	1	
2	HELICAL SPRING	5.332-001.0	1	
3	TANK	4.070-088.0	1	
4	GASKET	6.362-113.0	1	
5	SOLENOID VALVE	6.686-025.0	1	

## 8.2 Float Valve



pos	description	part No.	qty	information
0	FLOAT VALVE	3.593-054.0	1	
1	COTTER	7.316-432.0	1	
2	TANK	5.070-064.0	1	
3	HEXAGONAL HEAD SCREW	7.304-464.0	2	
4	WASHER	7.312-278.0	2	
5	HEXAGON NUT	7.311-421.0	2	
6	HOSE	6.388-162.0	1	TO ORDER AS CUT GOODS
7	HOSE BAND CLIP	6.388-547.0	2	
8	PROTECTION PART	5.394-066.0	1	
9	BOLT	7.316-004.0	1	
10	VALVE PIN	5.584-026.0	1	
11	SEAL	5.364-095.0	1	
12	VALVE HOUSING	5.587-103.0	1	
13	GASKET	6.362-078.0	1	
14	HOSE STEM	5.443-285.0	1	
15	NUT	5.310-062.0	1	
17	HOSE	6.388-719.0	1	TO ORDER AS CUT GOODS
18	LEVER	5.481-029.0	1	
19	HEXAGON NUT	7.311-422.0	1	
20	WASHER	7.312-279.0	1	
21	FLOAT	5.585-004.0	1	
22	WASHER	5.115-158.0	1	
23	HEXAGONAL HEAD SCREW	7.304-471.0	1	

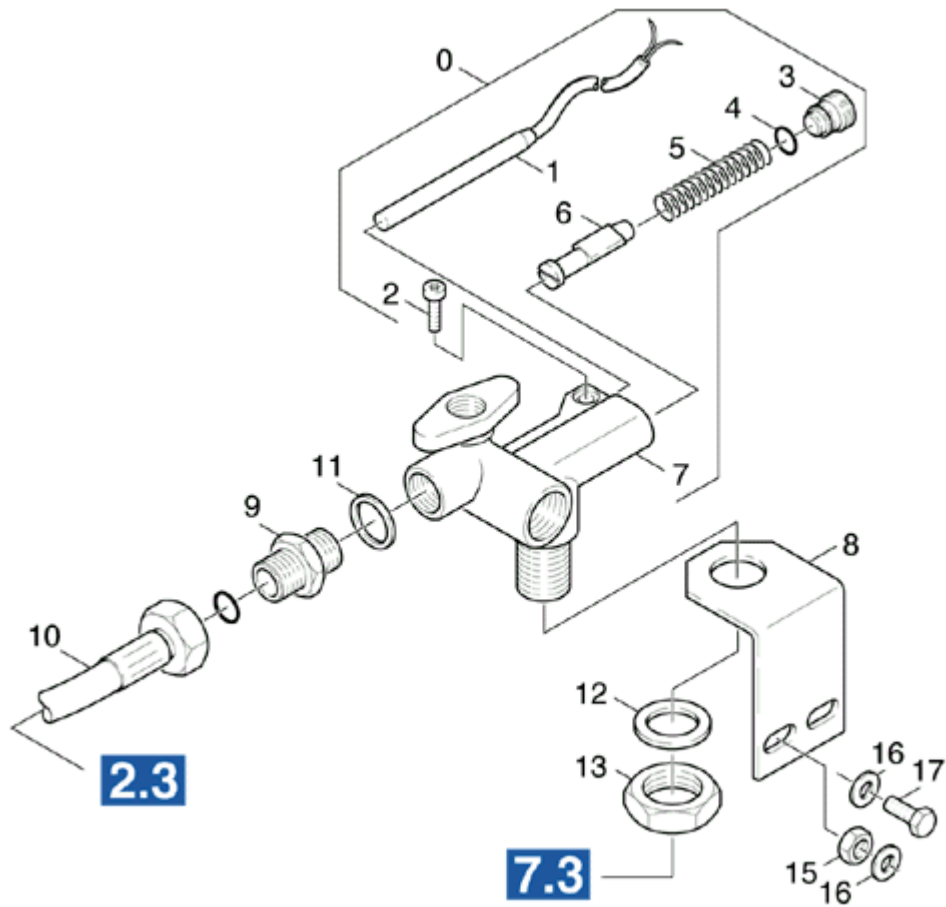
## 9.1 Safety Valve



pos	description	part No.	qty	information
0	FLOW SWITCH	4.745-009.0	1	
1	PULSATION DAMPER	6.505-037.0	1	
2	GASKET	6.362-176.0	1	
3	STRAINER	6.414-111.0	1	
4	GASKET	6.362-160.0	1	
5	SCREW UNION	5.402-466.0	1	
6	SAFETY VALVE	6.412-993.0	1	
7	VALVE SEAT	5.581-135.0	1	
8	GASKET	6.362-482.0	1	
9	GASKET DISC	6.412-267.0	1	

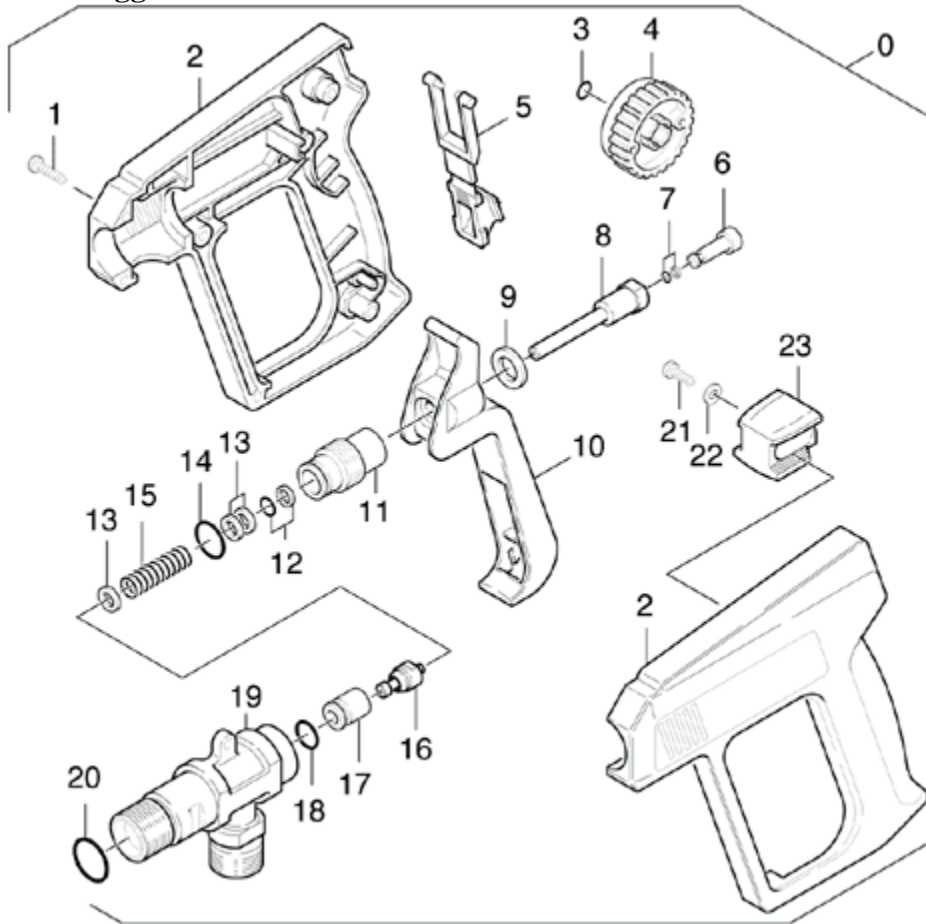


## 9.2 Reed Switch



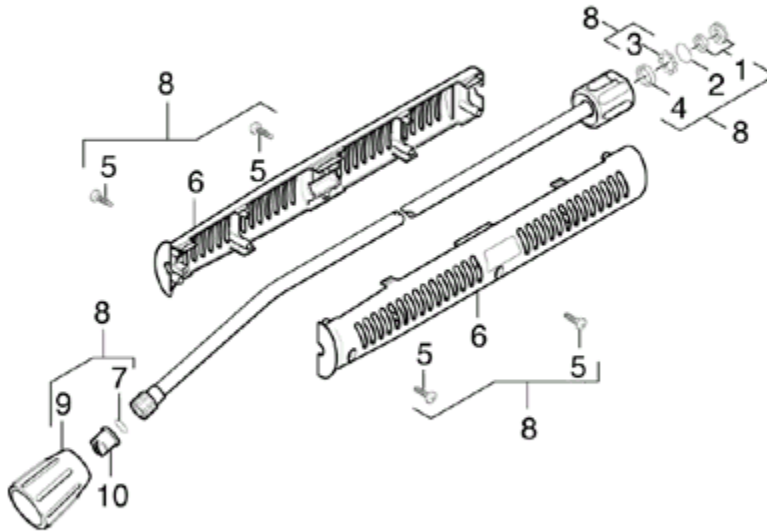
pos	description	part No.	qty	information
0	FLOW SWITCH	4.745-009.0	1	
1	SPARE REED SWITCH	2.880-194.0	1	
2	CHEESE HEAD SCREW	6.304-018.0	1	
3	SCREW	5.305-162.0	1	
4	GASKET	6.362-482.0	1	
5	HELICAL SPRING	5.332-057.0	1	
6	PISTON	4.553-022.0	1	
7	HOUSING	5.605-169.0	1	
8	ANGLE	5.018-659.0	1	
9	CONNECTION PIECE	7.386-478.0	1	
10	HIGH PRESSURE HOSE	6.389-979.0	1	
11	JOINT RING	7.362-009.0	1	
12	WASHER	7.312-145.0	1	
13	HEXAGON NUT	7.311-155.0	1	
15	HEXAGON NUT	7.311-004.0	2	
16	WASHER	7.312-277.0	4	
17	HEXAGONAL HEAD SCREW	7.304-397.0	2	

## 10.1 Trigger Gun



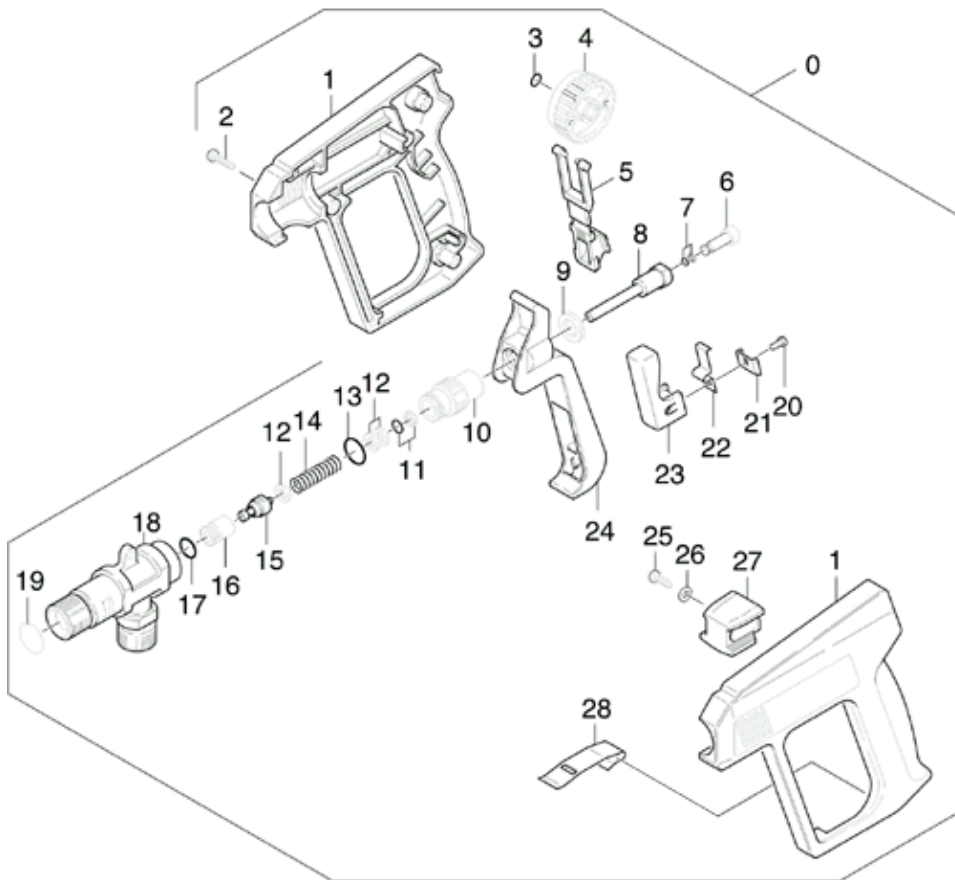
pos	description	part No.	qty	information
0	TRIGGER GUN	4.775-026.0	1	
1	OVAL HEAD SCREW	6.303-024.0	8	
2	HANDLES	5.321-174.0	1	
3	GASKET	6.362-176.0	1	
4	HAND WHEEL	5.322-006.0	1	
5	MOULDED PART	5.030-283.0	1	
6	PISTON	5.553-118.0	1	
7	GASKET	6.362-477.0	1	
8	BAR	5.107-062.0	1	
9	WASHER	5.115-227.0	1	
10	LEVER	5.481-039.0	1	
11	SCREW	5.305-110.0	1	
12	GASKET	6.362-468.0	1	
13	WASHER	5.115-260.0	3	
14	GASKET	6.362-478.0	1	
15	HELICAL SPRING	5.332-140.0	1	
16	VALVE SEAT	4.581-049.0	1	
17	SLEEVE	5.110-348.0	1	
18	GASKET	6.362-479.0	1	
19	MANIFOLD	5.427-079.0	1	
20	GASKET	6.362-496.0	1	
21	OVAL HEAD SCREW	6.303-025.0	1	
22	WASHER	7.312-001.0	1	
23	MOULDED PART	5.030-459.0	1	
100	PISTOL SET	2.883-014.0	1	

## 10.2 Wand



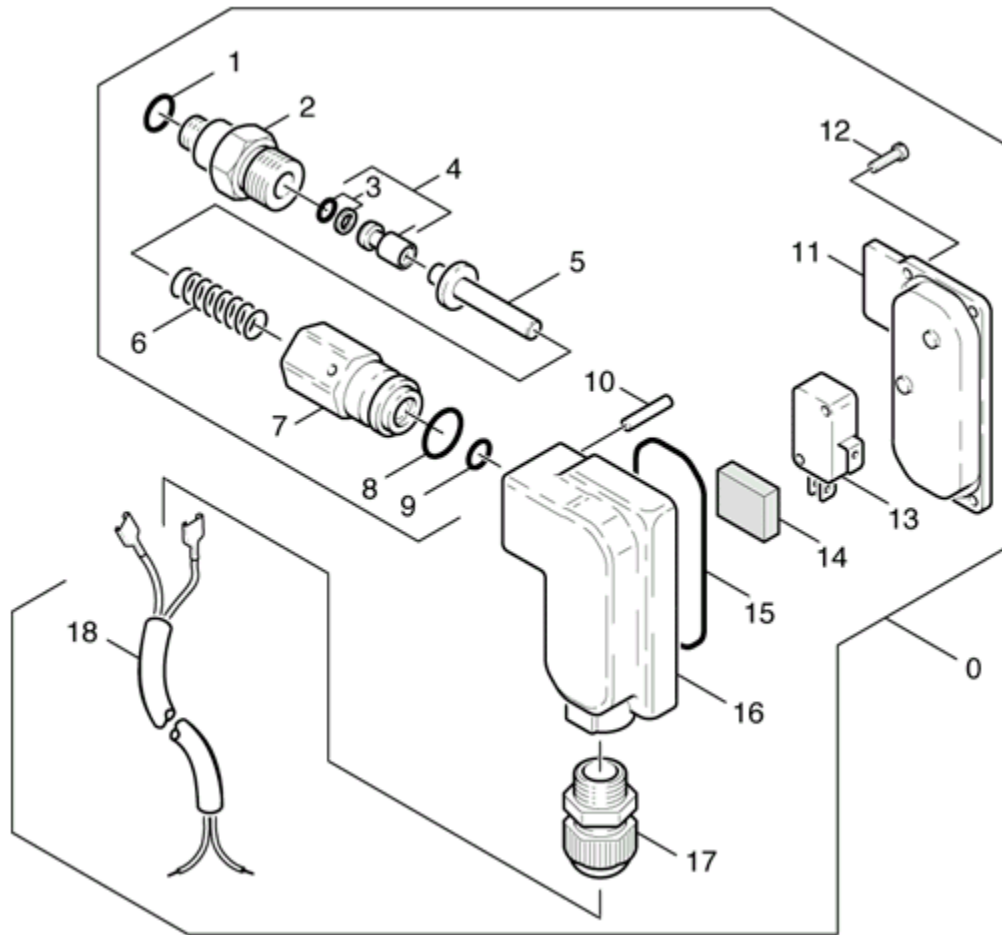
pos	description	part No.	qty	information
1	GROOVED RING	6.362-532.0	1	
2	GASKET	6.362-524.0	1	
3	BALL	7.401-921.0	12	
4	JOINT RING	6.362-529.0	1	
5	OVAL HEAD SCREW	6.303-025.0	4	
6	HANDLE	5.321-150.0	2	
7	SPARE PARTS KIT	2.880-296.0	1	
8	JET PIPE	4.760-101.0	1	
9	SCREW UNION PART	5.401-210.0	1	
10	POWER NOZZLE	2.883-398.0	1	

## 10.4 Trigger Gun



pos	description	part No.	qty	information
0	TRIGGER GUN	4.775-152.0	1	
1	HANDLES	5.321-107.0	1	
2	OVAL HEAD SCREW	6.303-024.0	8	
3	GASKET	6.362-176.0	1	
4	HAND WHEEL	5.322-006.0	1	
5	MOULDED PART	5.030-283.0	1	
6	PISTON	5.553-118.0	1	
7	GASKET	6.362-477.0	1	
8	BAR	5.107-062.0	1	
9	WASHER	5.115-227.0	1	
10	SCREW	5.305-110.0	1	
11	GASKET	6.362-468.0	1	
12	WASHER	5.115-260.0	3	
13	GASKET	6.362-478.0	1	
14	HELICAL SPRING	5.332-140.0	1	
15	VALVE SEAT	4.581-013.0	1	
16	SLEEVE	5.110-240.0	1	
17	GASKET	6.362-479.0	1	
18	MANIFOLD	5.427-079.0	1	
19	GASKET	6.362-496.0	1	
20	OVAL HEAD SCREW	6.303-058.0	1	
21	PLATE	5.040-480.0	1	
22	SPIRAL SPRING	5.335-013.0	1	
23	LEVER	5.325-010.0	1	
24	LEVER	5.325-009.0	1	
25	OVAL HEAD SCREW	6.303-025.0	1	
26	WASHER	7.312-001.0	1	
27	MOULDED PART	5.030-321.0	1	
28	PLATE	5.040-479.0	1	
100	SPARE PARTS KIT	2.880-369.0	1	

## 12.0 Pressure Switch



pos	description	part No.	qty	information
0	PRESSURE SWITCH	4.747-051.0	1	
1	GASKET	6.362-101.0	1	
2	SCREW 5.305-180.0		1	
3	GASKET	6.362-368.0	1	
4	PISTON	4.553-025.0	1	
5	PISTON	5.553-241.0	1	
6	HELICAL SPRING	5.332-268.0	1	
7	HEXAGON NUT	5.311-154.0	1	
8	GASKET	6.362-078.0	1	
9	GASKET	6.362-175.0	1	
10	GROOVED PIN	7.314-630.0	2	
11	COVER	5.063-412.0	1	
12	OVAL HEAD SCREW	6.303-058.0	4	
13	MICRO SWITCH	6.631-571.0	1	
14	CELL. RUBBER BAND	5.365-156.0	1	
15	GASKET	6.362-691.0	1	
16	HOUSING	5.060-367.0	1	
17	CABLE CONNECTOR	6.641-355.0	1	
18	CABLE	4.820-535.0	1	

**Karcher Canada 1-888-705-9444**