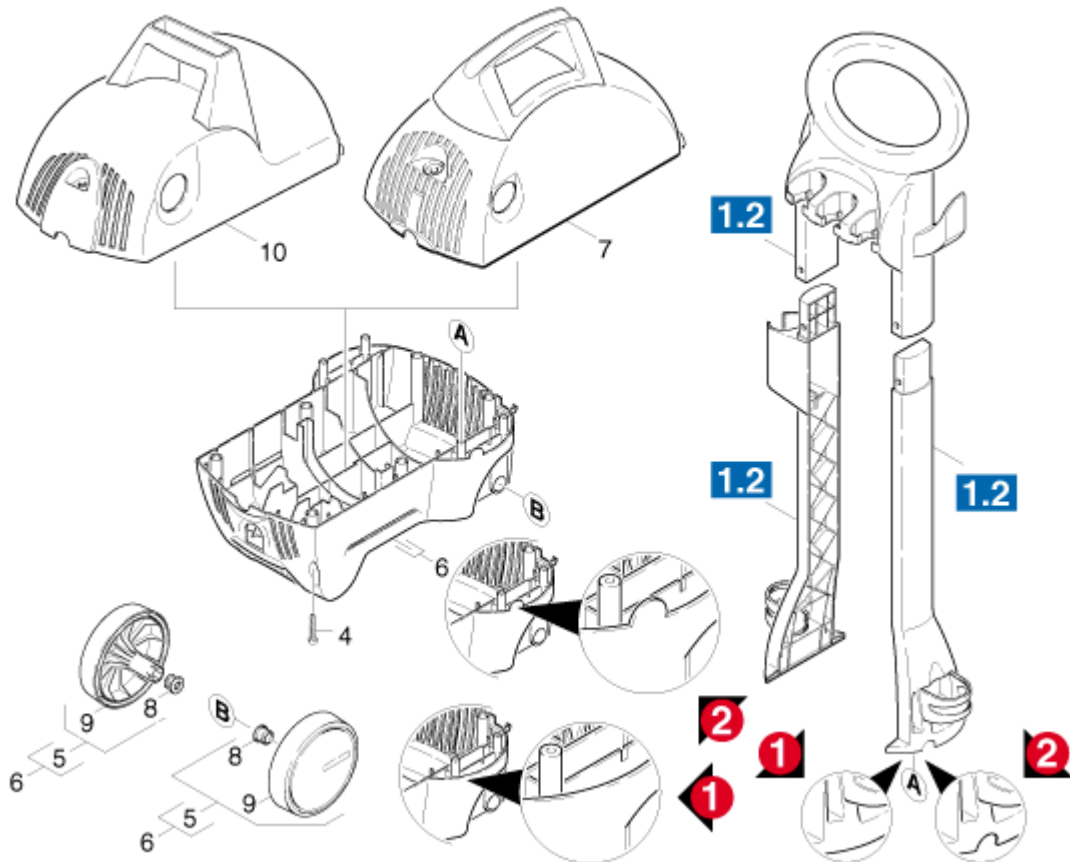


K 440M (1.141-379) Parts List as of July 2001

Karcher Canada

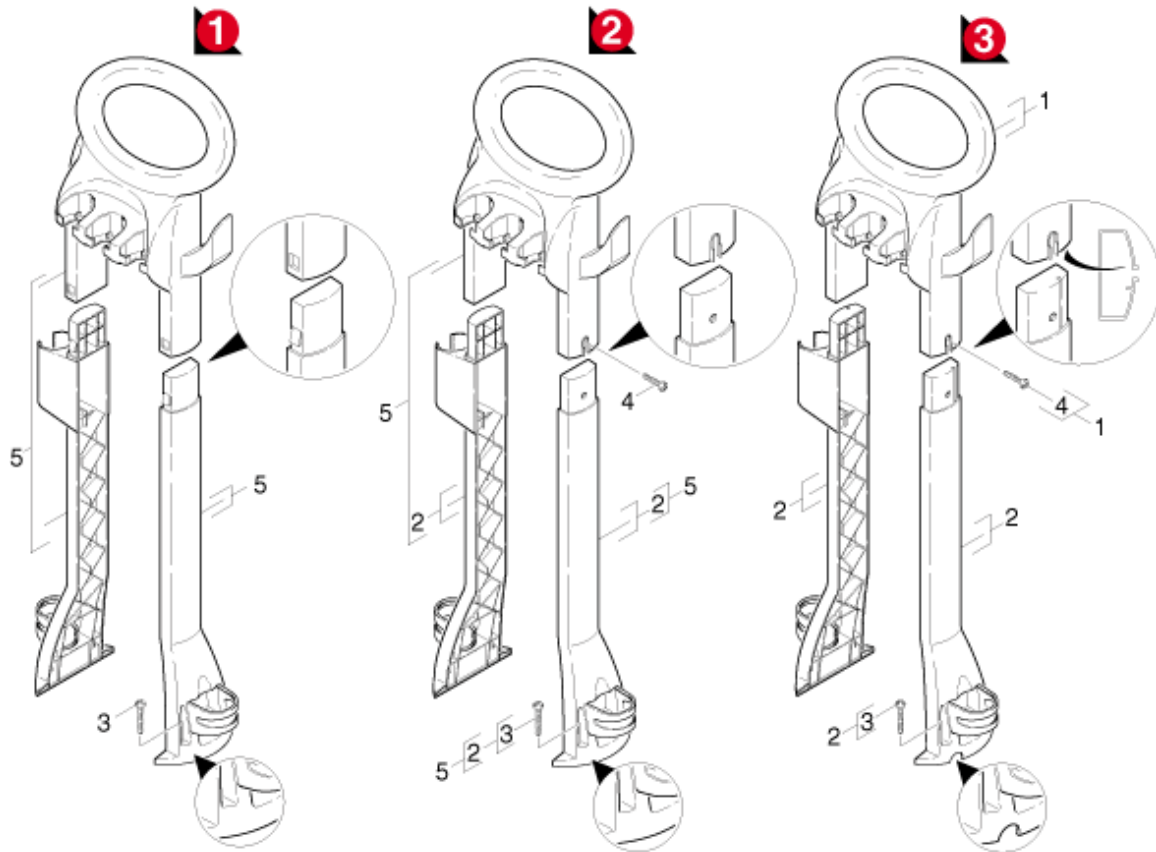
Caution: **Electrical Hazard.** Repairs or attempted repairs by untrained persons may result in damage to the pressure washer and/or personal injury as well as voiding any warranty. Customers are strongly advised to have their machine examined by a trained professional at an authorized Karcher service location.

1.1 Housing



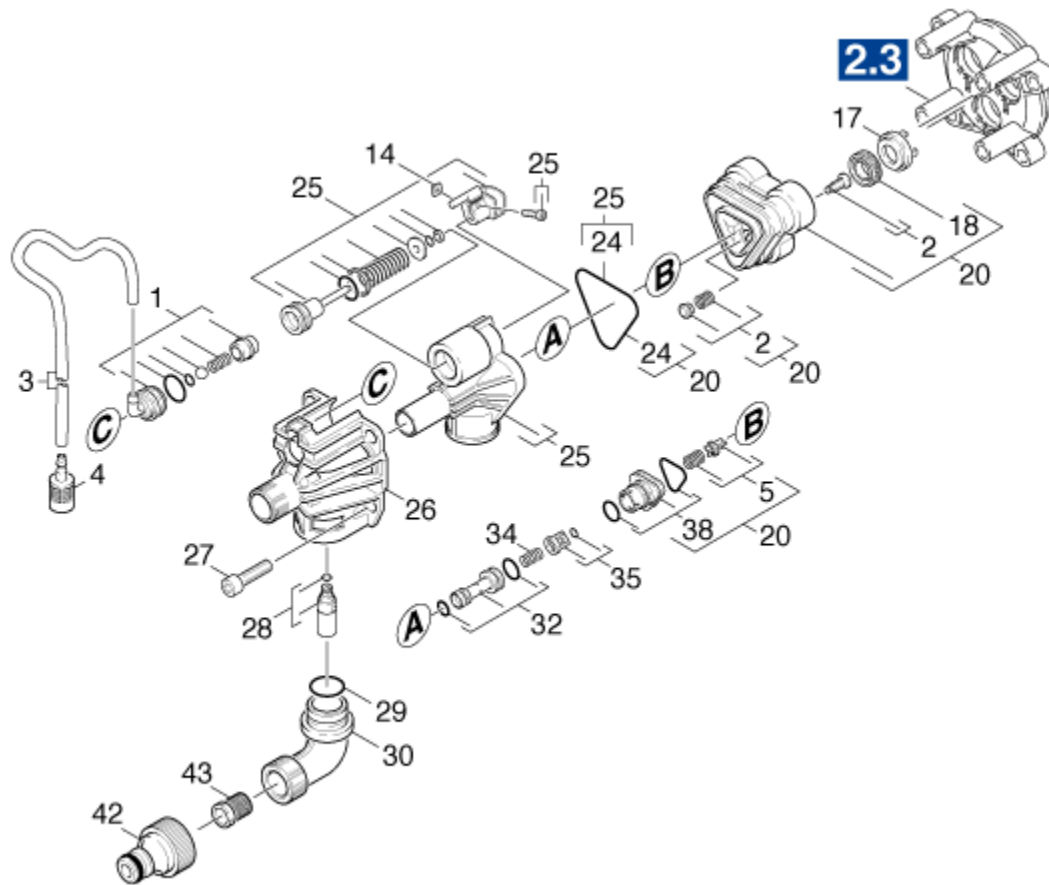
pos	description	part No.	qty	information
4	SCREW	6.303-150.0	6	
5	WHEEL	9.036-115.0	1	
6	COVER	9.011-386.0	1	
7	COVER	9.001-109.0	1	/ 1.141-356.0 / -357.0 / -379.0
8	SLEEVE	9.036-141.0	2	
9	WHEEL	9.036-154.0	2	
10	COVER	9.001-111.0	1	/ 1.141-456.0

1.2 Handle



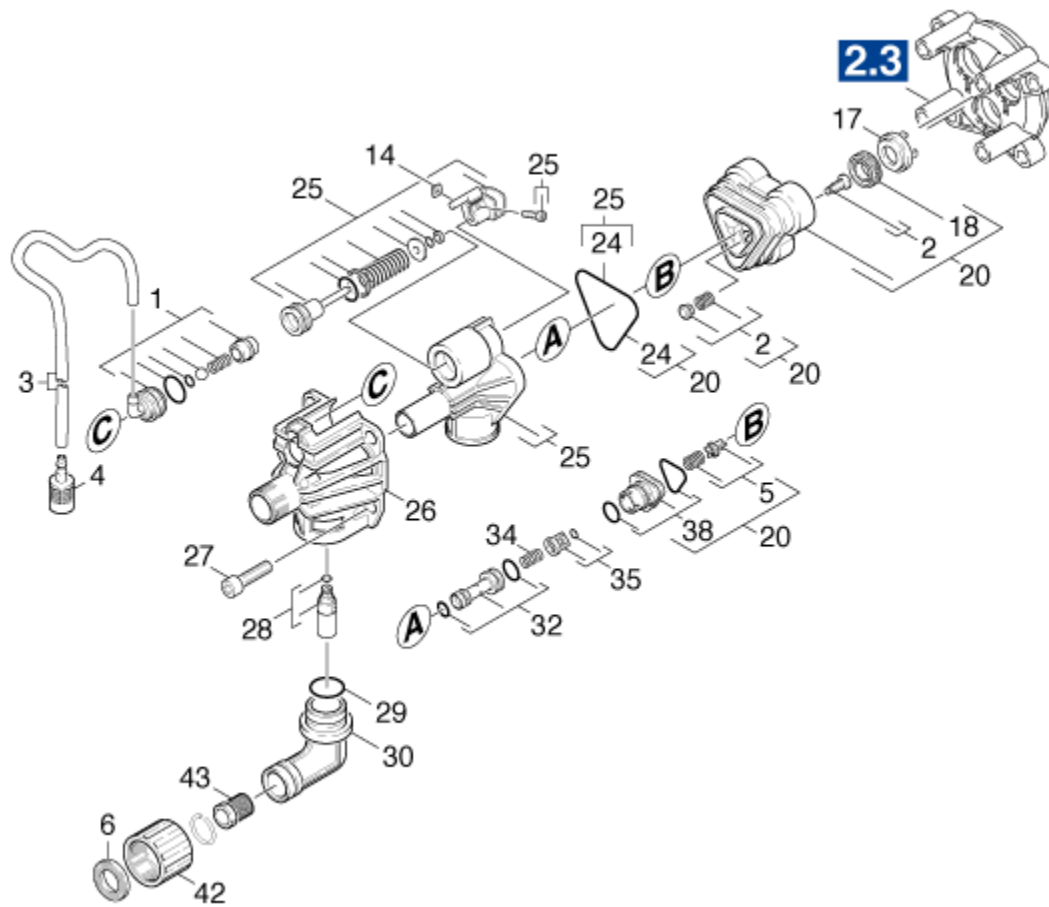
pos	description	part No.	qty	information
1	NATIONALES-TEIL	9.001-175.0	1	VERS. 3 /
2	NATIONALES-TEIL	9.001-174.0	1	VERS. 2 + 3 /
3	SCREW	9.011-460.0	1	
4	SCREW	9.011-462.0	1	
5	SPARE PARTS SET	9.001-151.0	1	VERS. 1 + 2 /

2.1 Cylinder Head



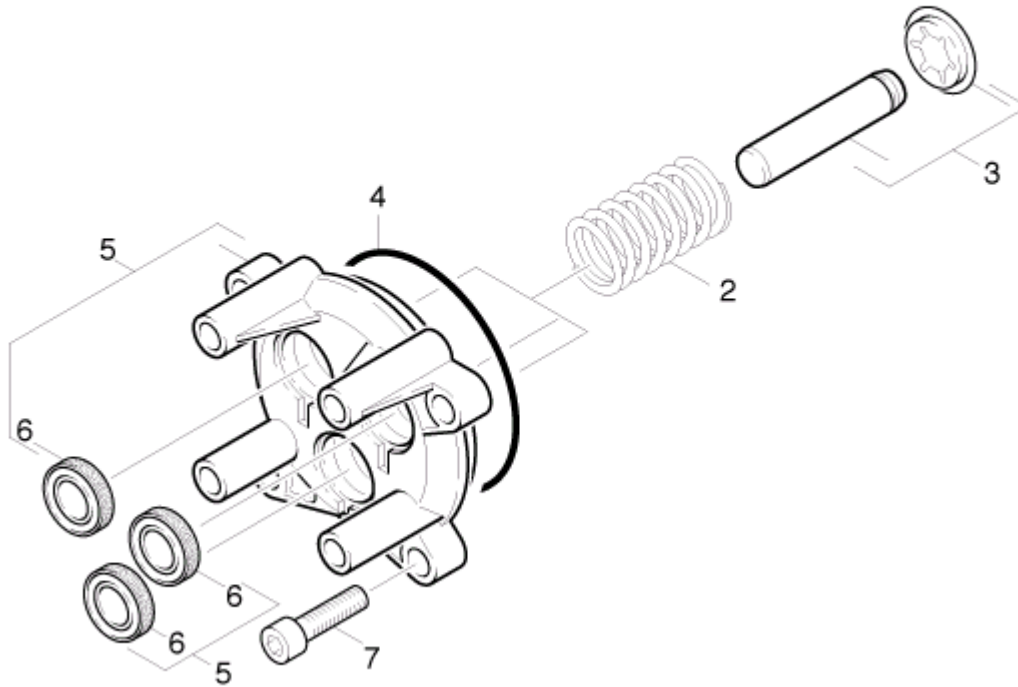
pos	description	part No.	qty	information
1	SPARE PARTS SET	9.001-103.0	1	
2	MOULDED PART	9.001-110.0	3	
3	HOSE 6.388-216.0	1		TO ORDER AS CUT GOODS
4	FILTER 5.731-040.0	1		
5	VENTILSET	9.001-149.0	3	
14	SQUARE NUT 7.311-569.0	1		
17	SUPPORTING DISK	9.036-322.0	3	
18	GROOVED RING	6.362-875.0	3	
20	ZYLINDERKOPFSET	9.001-105.0	1	
24	SEAL RING	9.081-404.0	1	
25	SPARE PARTS SET	9.001-104.0	1	
26	LID	9.042-018.0	1	
27	CHEESE HEAD SCREW	7.306-042.0	4	
28	VALVE	9.011-283.0	1	
29	GASKET	9.081-409.0	1	
30	SUCTION CONNECTION	9.036-309.0	1	
32	INJECTOR	9.001-108.0	1	
34	SPRING	9.047-026.0	1	
35	CAGE	9.001-107.0	1	
38	JOINING PIECE	9.001-106.0	1	
42	CONNECTION	6.389-870.0	1	
43	STRAINER	6.414-252.0	1	

2.2 Cylinder Head



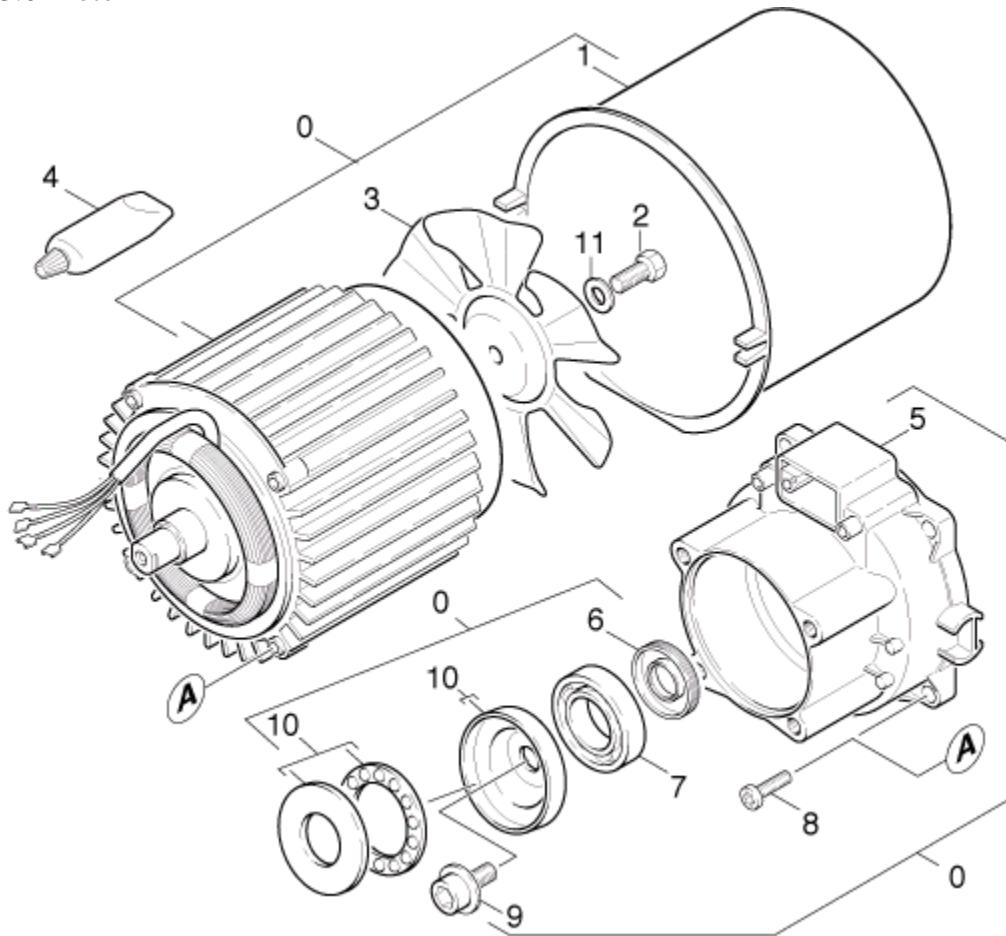
pos	description	part No.	qty	information
1	SPARE PARTS SET	9.001-103.0	1	
2	MOULDED PART	9.001-110.0	3	
3	HOSE	6.388-216.0	1	TO ORDER AS CUT GOODS
4	FILTER	5.731-040.0	1	
5	VENTILSET	9.001-149.0	3	
6	SEAL	9.079-014.0	1	
14	SQUARE NUT	7.311-569.0	1	
17	SUPPORTING DISK	9.036-322.0	3	
18	GROOVED RING	6.362-875.0	3	
20	ZYLINDERKOPFSET	9.001-105.0	1	
24	SEAL RING	9.081-404.0	1	
25	SPARE PARTS SET	9.001-104.0	1	
26	LID	9.042-018.0	1	
27	CHEESE HEAD SCREW	7.306-042.0	4	
28	VALVE	9.011-283.0	1	/ 9.005-084.0
28	SAFETY VALVE	9.011-347.0	1	/ 9.005-035.0
29	GASKET	9.081-409.0	1	
30	COVER	9.036-431.0	1	
32	INJECTOR	9.001-108.0	1	
34	SPRING	9.047-026.0	1	
35	CAGE	9.001-107.0	1	
38	JOINING PIECE	9.001-106.0	1	
42	NUT	9.036-432.0	1	
43	STRAINER	6.414-252.0	1	

2.3 Piston



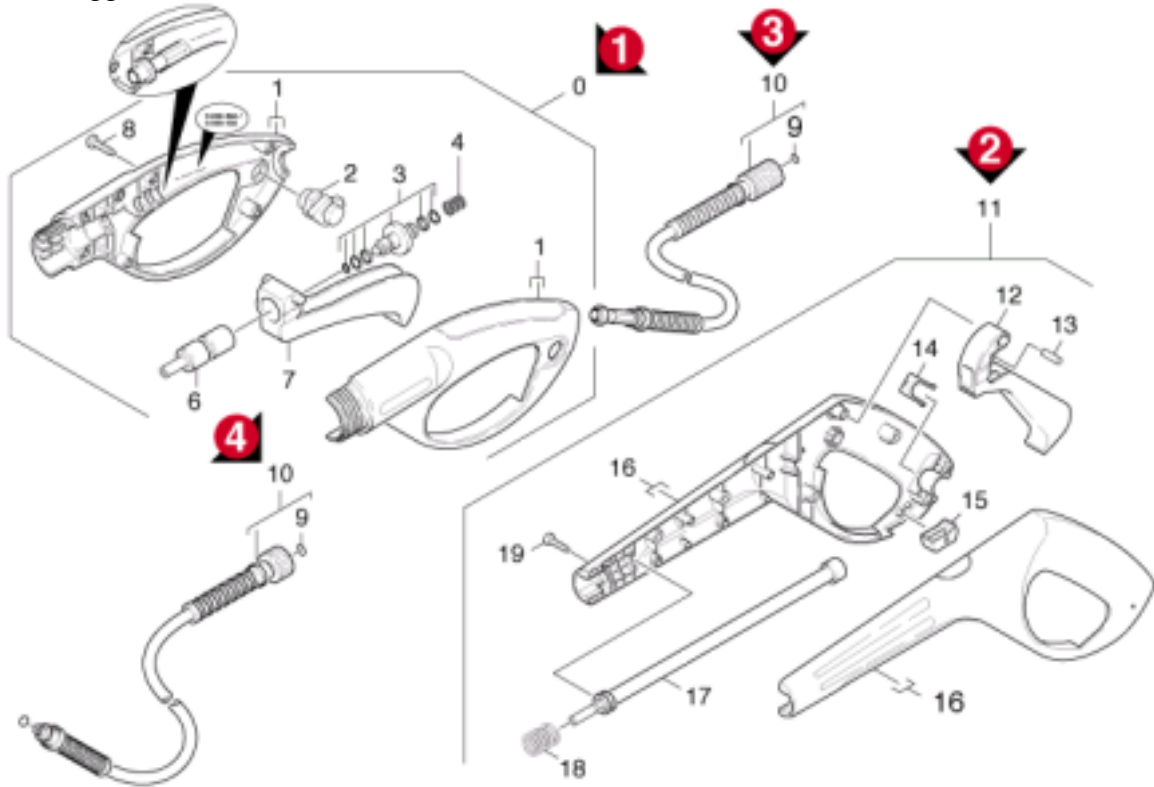
pos	description	part No.	qty	information
2	SPRING	9.047-023.0	3	
3	PISTON	9.001-102.0	1	
4	GASKET	9.081-373.0	1	
5	HOUSING	9.001-101.0	1	
6	GROOVED RING	6.365-386.0	3	
7	CHEESE HEAD SCREW	7.306-042.0	4	

3.0 Motor



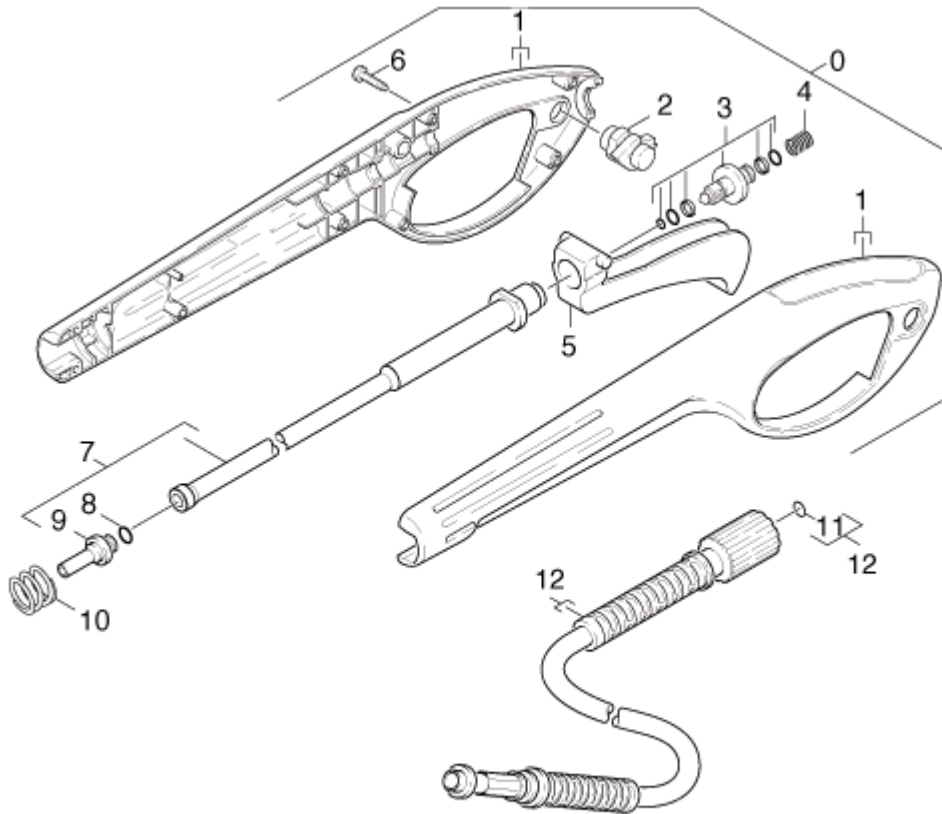
pos	description	part No.	qty	information
0	MOTOR	9.001-154.0	1	
1	FAN HOUSING	6.964-090.0	1	
2	HEXAGONAL HEAD SCREW	9.086-170.0	1	
3	BLOWER WHEEL	9.039-102.0	1	
4	FAT	6.964-092.0	1	
5	END PLATE	6.964-096.0	1	
6	ROTARY SHAFT SEAL	9.078-004.0	1	
7	BALL BEARING	7.401-122.0	1	
8	OVAL HEAD SCREW	9.086-153.0	4	
9	SCREW	9.086-169.0	1	
10	SWASH PLATE	9.039-091.0	1	/ 9.005-035.0
10	SWASH PLATE	9.039-099.0	1	/ 9.005-084.0

4.1 Trigger Gun



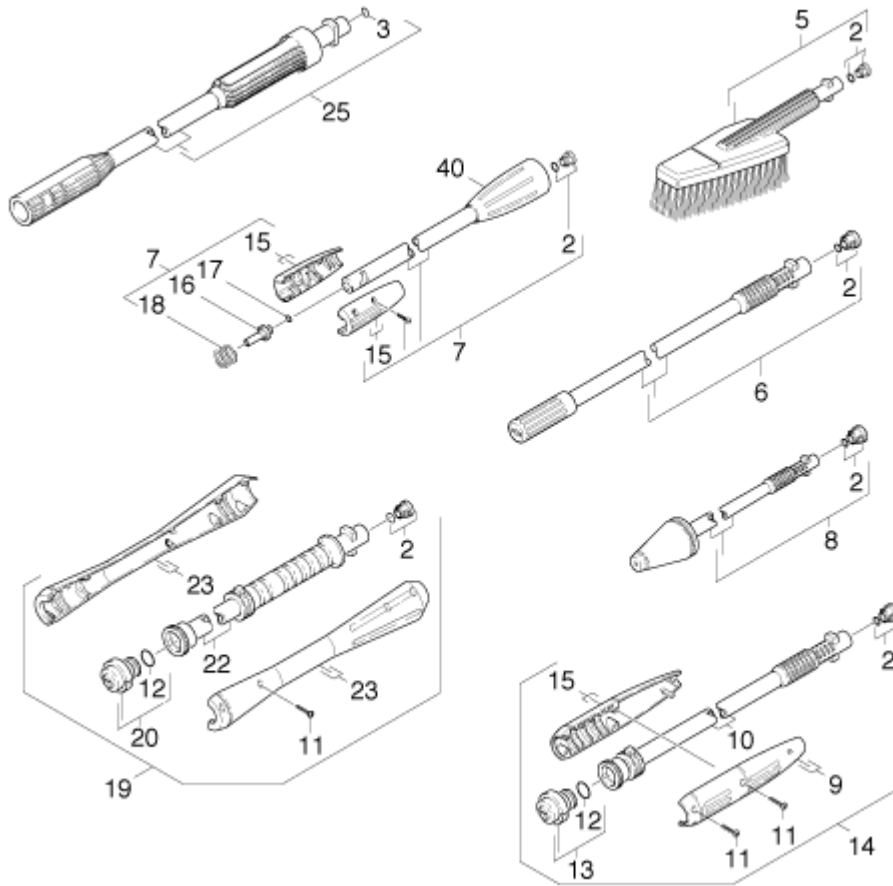
pos	description	part No.	qty	information
0	PISTOL	4.775-391.0	1	
1	HOUSING	9.036-452.0	1	
2	MOULDED PART	6.964-044.0	1	
3	SET OF GASKETS	9.011-402.0	1	
4	SPRING	6.964-002.0	1	
6	MOULDED PART	6.964-047.0	1	
7	LEVER	6.964-048.0	1	
8	OVAL HEAD SCREW	6.303-122.0	6	
9	SPARE PARTS KIT	2.880-296.0	1	
10	HIGH PRESSURE HOSE	9.082-037.0	1	/ 1.141-356.0
10	HIGH PRESSURE HOSE	9.082-057.0	1	

4.2 Trigger Gun



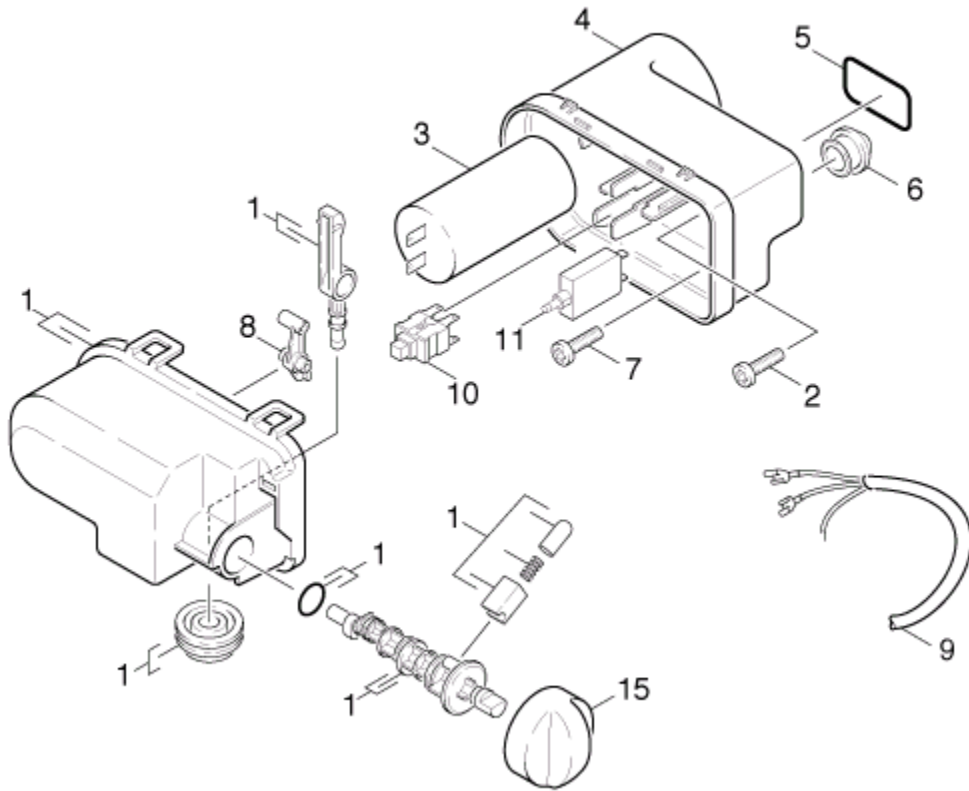
pos	description	part No.	qty	information
0	PISTOL	9.001-125.0	1	
1	TOKEN TRAY	9.036-408.0	1	
2	MOULDED PART	6.964-044.0	1	
3	SET OF GASKETS	9.011-402.0	1	
4	SPRING	6.964-002.0	1	
5	LEVER	6.964-048.0	1	
6	OVAL HEAD SCREW	6.303-122.0	8	
7	PIPE	9.011-397.0	1	
8	GASKET	6.362-898.0	1	
9	JOINING PIECE	5.031-068.0	1	
10	PRESSURE SPRING	5.332-349.0	1	
11	SPARE PARTS KIT	2.880-296.0	1	
12	HIGH PRESSURE HOSE	9.082-057.0	1	

4.3 Nozzles



pos	description	part No.	qty	information
2	SPARE PARTS KIT	2.883-111.0	6	
5	WASH BRUSH	6.903-276.0	1	/ 1.141-357.0 / -456.0
6	JET PIPE	9.011-383.0	1	/ 1.141-379.0
6	JET PIPE	9.011-435.0	1	/ 1.141-456.0
7	JET PIPE-LENGTHENING	9.011-099.0	1	
8	ROTARY NOZZLE	9.011-421.0	1	/ 1.141-356.0 / -456.0
9	HANDLES	9.036-402.0	1	
10	PIPE	9.036-403.0	1	
11	OVAL HEAD SCREW	6.303-047.0	6	QUANTITY ACCORDING TO
DEMAND				
12	GASKET	6.362-534.0	1	
13	NOZZLE CAP	9.001-127.0	1	
14	JET PIPE	9.011-344.0	1	/ 1.141-356.0
15	HANDLES	9.036-101.0	1	
16	JOINING PIECE	5.031-068.0	1	
17	GASKET	6.362-690.0	1	
18	PRESSURE SPRING	5.332-349.0	1	
19	JET PIPE	4.760-408.0	1	FUER 9.005-072 // 1.141-357.0
19	JET PIPE	9.011-380.0	1	FUER 9.005-033 // 1.141-357.0
20	NOZZLE CAP	4.762-238.0	1	
22	JET PIPE	5.029-842.0	1	
23	HANDLES	5.321-445.0	1	
25	JET PIPE-LENGTHENING	9.011-006.0	1	/ 1.141-356.0
40	UNION NUT	9.036-438.0	1	

5.0 Electrical Control Box



pos	description	part No.	qty	information
1	COVER	9.001-100.0	1	
2	SELF-TAPPING SCREW	6.303-114.0	1	
3	CAPACITOR	9.085-023.0	1	
4	HOUSING	9.036-348.0	1	
5	GASKET	6.362-870.0	1	
6	BUSH	9.048-011.0	1	
7	OVAL HEAD SCREW	9.086-153.0	2	
8	SWITCH	9.036-381.0	1	
9	CABLE	9.084-056.0	1	
10	SWITCH	9.085-034.0	1	
11	MOTOR PROT. SWITCH	9.085-032.0	1	
15	SWITCH KNOB	9.036-351.0	1	

Karcher Canada
1-888-705-9444

