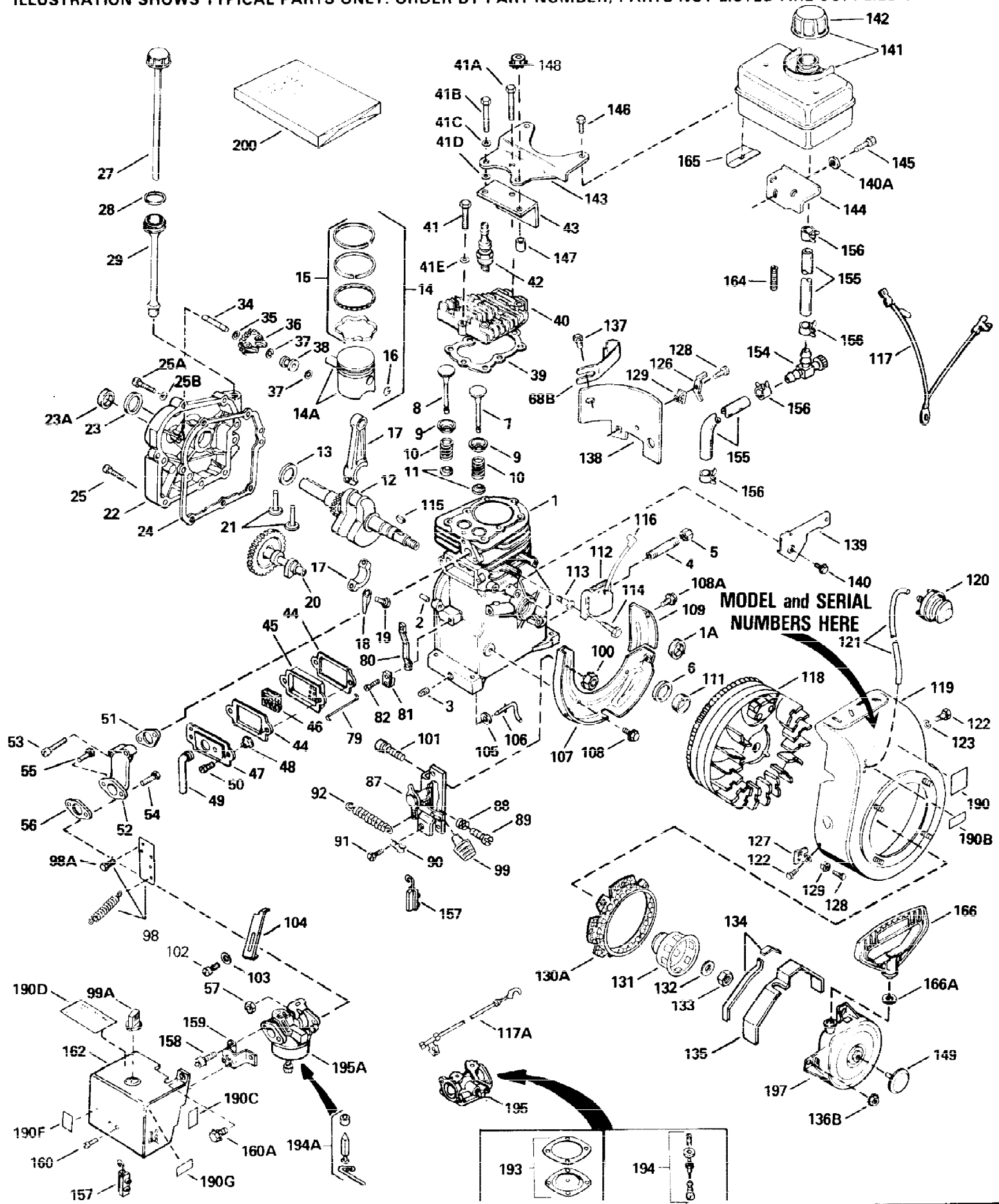


ILLUSTRATION SHOWS TYPICAL PARTS ONLY. ORDER BY PART NUMBER, PARTS NOT LISTED ARE SUPPLIED BY OEM.

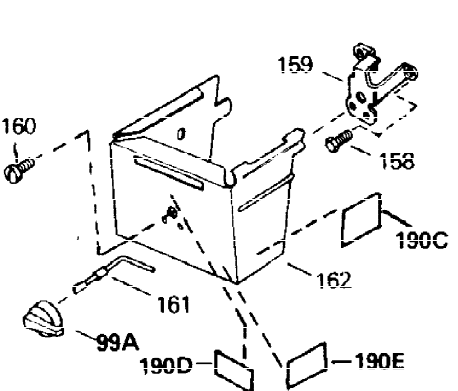
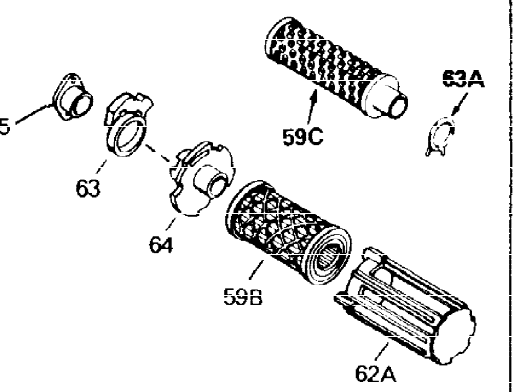
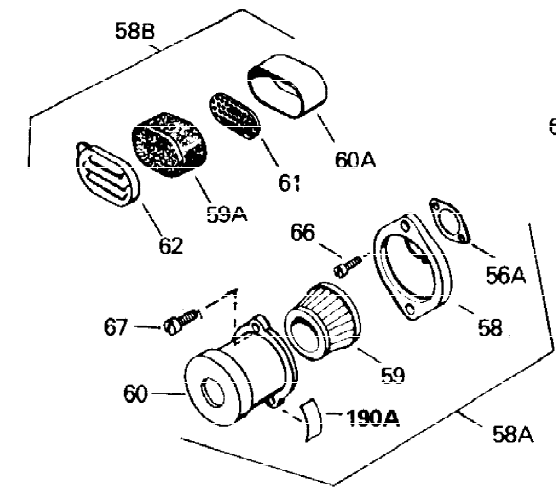
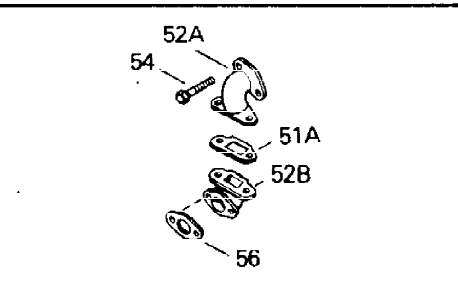
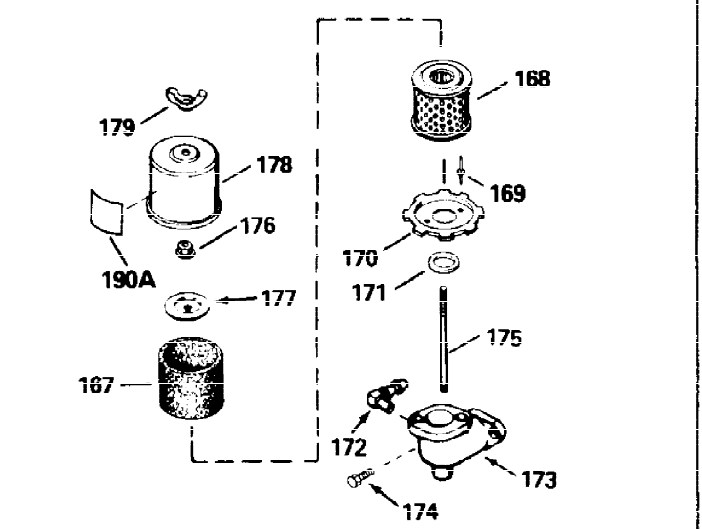
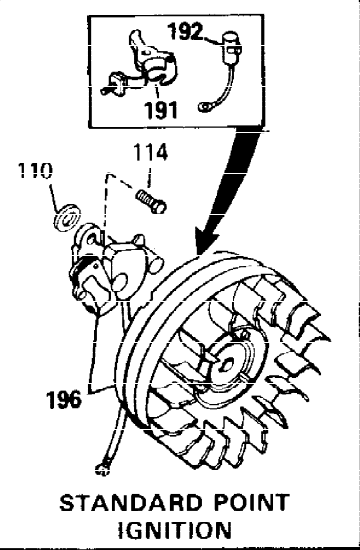
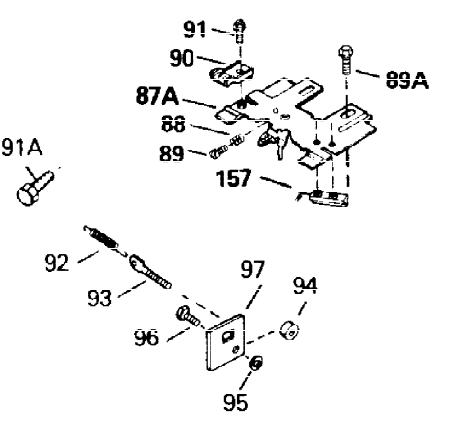
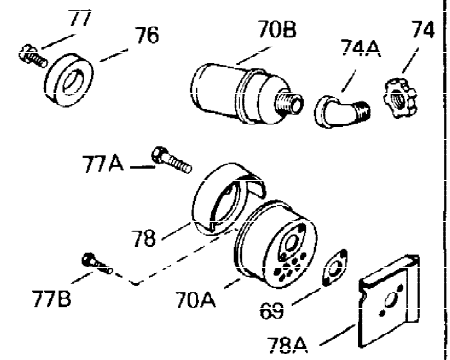
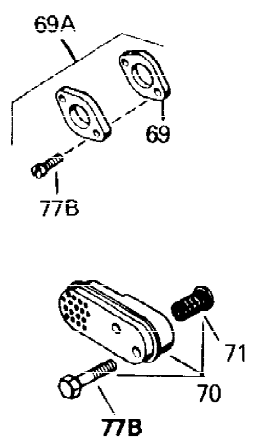
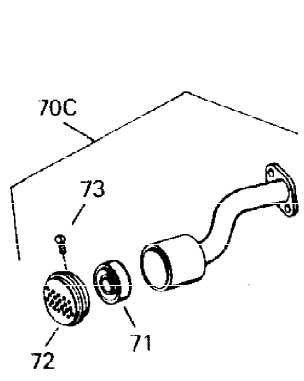
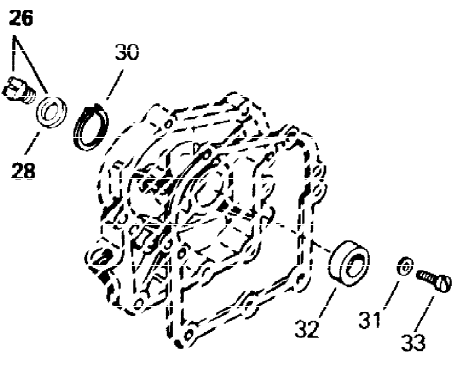
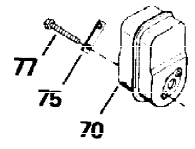
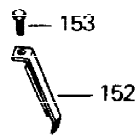
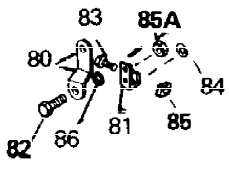


| Ref # | Part Number | Qty | Description |
|-------|-------------|-----|---|
| 1 | 34708A | | Cylinder (Incl. 2, 3 & 6) (2-1/2" Bore) |
| 2 | 26727 | | Pin, Dowel |
| 3 | 27642 | | Pipe plug, 1/4-18 |
| 6 | 32600 | | Seal, Oil |
| 7 | 29314B | | Intake Valve (Std.) (Incl. 11) |
| 7 | 29315C | | Intake Valve (1/32" OS) (Incl. 11) |
| 8 | 29313C | | Exhaust Valve (Std.) (Incl. 11) |
| 8 | 29315C | | Exhaust Valve (1/32" OS) (Incl. 11) |
| 9 | 31671 | | Valve Spring Cap (Used in early production) |
| 10 | 31672 | | Spring, Valve |
| 11 | 31673 | | Valve Spring Cap |
| 12 | 34806 | | Crankshaft |
| 14A | 32538B | | Piston & Pin Ass'y.(Std.)(2-1/2")(Incl.16) |
| 14A | 32548B | | Piston & Pin Ass'y. (.010" OS) (Incl. 16) |
| 14A | 32549B | | Piston & Pin Ass'y. (.020" OS) (Incl. 16) |
| 14 | 34514 | | Piston, Pin & Ring Set (Std.) (2-1/2" Bore) |
| 14 | 34515 | | Piston, Pin & Ring Set (.010" OS) |
| 14 | 34516 | | Piston, Pin & Ring Set (.020" OS) |
| 15 | 28986 | | Ring Set (Std.) (2-1/2" Bore) |
| 15 | 28987 | | Ring Set (.010" OS) |
| 15 | 28988 | | Ring Set (.020" OS) |
| 16 | 20381 | | Ring, Piston retaining |
| 17 | 30963B | | Rod Assy., Connecting (Incl. 19) |
| 18 | 28594 | | Dipper, Oil |
| 19 | 32610A | | Bolt, Connecting rod |
| 20 | 33149A | | Camshaft |
| 21 | 27241 | | Lifter, Valve |
| 22 | 35863 | | Cover, Cylinder (Incl. 23, 26, 28 & 34) |
| 23 | 26208 | | Seal, Oil |
| 24 | 27677A | | * Gasket, Cylinder cover |
| 25 | 650488 | | Screw, 1/4-20 x 1-1/4" |
| 28 | 29673 | | * Gasket, Oil fill plug |
| 34 | 30574 | | Shaft, Mechanical governor |
| 35 | 35479 | | Washer, Flat |
| 36 | 30591 | | Gear Assy., Governor (Incl. 35) |
| 37 | 29193 | | Ring, Retaining |
| 38 | 30588A | | Spool, Governor |
| 39 | 29953C | | * Gasket, Cylinder head |
| 40 | 30579A | | Head, Cylinder (Incl. 41A) |
| 41A | 650694A | | Screw, 5/16-18 x 2" (Use as required) |
| 41 | 650695A | | Screw, 5/16-18 x 2-1/4" (Use as required) |
| 41 | 6021A | | Screw, 5/16-18 x 1-1/2" (Use as required) |
| 41 | 650865 | | Screw, 5/16-18 x 2" (Use as required) |
| 42 | 33636 | | Resistor Spark Plug (J-8C) |
| 43 | 33344 | | Baffle, Heat |
| 44 | 27234A | | * Gasket, Valve spring cover (Two required) |
| 45 | 27666 | | Breather Body & valve assy. |
| 46 | 31410 | | Element, Breather |
| 47 | 34146 | | Cover, Valve spring |
| 48 | 32446 | | Grommet, Breather tube |
| 49 | 32447 | | Tube, Breather |
| 50 | 650128 | | Screw, 10-24 x 1/2" |
| 51 | 26754A | | * Gasket, Intake to cylinder |
| 52 | 28416A | | Pipe, Intake (Incl. 54) |
| 53 | 650664 | | Screw, 1/4-20 x 1-19/32" |

| Ref # | Part Number | Qty | Description |
|-------|-------------|-----|---|
| 54 | 650840 | | Screw, 1/4-20 x 1-7/32" |
| 55 | 6201 | | Screw, 1/4-28 x 7/8" |
| 56 | 26756 | | * Gasket, Carburetor to intake |
| 57 | 29752 | | Nut & Lockwasher Assy., 1/4-28 |
| 79 | 31858 | | Link, Throttle |
| 80 | 31510 | | Lever, Governor |
| 81 | 31335 | | Clamp, Governor lever |
| 82 | 650548 | | Screw, 8-32 x 5/16" |
| 87 | 33879A | | Control Bracket (Incl. 88, 89, 100 & 101) NOTE: In original production the speed control assembly is riveted to the blower housing baffle (Ref. #107). Replacement speed control assembly includes screws (Ref. #101)and nuts (Ref. #100) for mounting. |
| 90 | 27793 | | Clip, Conduit |
| 91 | 28942 | | Screw, 10-32 x 3/8" |
| 92 | 31426 | | Spring, Extension |
| 98 | 33857 | | Spring Assy., Extension (Incl. 98A) |
| 100 | 30322 | | Locknut, 8-32 (Use as required) |
| 101 | 650139 | | Screw, 8-32 x 1/2" (Use as required) |
| 101 | 650152 | | Screw, 8-32 x 3/8" (Use as required) |
| 101 | 30200 | | Screw, 10-24 x 9/16" (Use as required) |
| 105 | 28277 | | Washer, Flat |
| 106 | 31334 | | Rod, Governor |
| 107 | 33342 | | Baffle, Blower housing |
| 108A | 650701 | | Screw, 8-18 x 7/16" |
| 108 | 650561 | | Screw, 1/4-20 x 5/8" |
| 109 | 33341 | | Baffle, Extension |
| 111 | 34080 | | Spacer, Flywheel key |
| 112 | 34443A | | Solid State Ass'y. |
| 113 | 650872 | | Stud, Solid State mounting |
| 114 | 650814 | | Screw, Torx T-15, 10-24 x 1" |
| 115 | 610961 | | Flywheel key |
| 116 | 610118 | | Cover, Spark plug (Use as required) |
| 117 | 35182 | | Ground Wire Ass'y. |
| 118 | 611080 | | Flywheel |
| 122 | 29212 | | Screw, 1/4-28 x 7/16" |
| 123 | 650168 | | Washer |
| 131 | 34694 | | Cup, Starter |
| 132 | 650815 | | Washer, Belleville |
| 133 | 650816 | | Nut, Flywheel |
| 137 | 650128 | | Screw, 10-24 x 1/2" |
| 138 | 29745 | | Extension, Blower housing |
| 139 | 34212 | | Bracket, Hold down |
| 140 | 30200 | | Screw, 10-24 x 9/16" |
| 141 | 35584 | | Fuel Tank (Incl. 142 & 156) |
| 142 | 33032 | | Cap, Fuel filler (Use as required) |
| 142 | 410144B | | Cap, Fuel filler (Std.) (Use as requi red) |
| 142 | 35355 | | Cap, Fuel filler |
| 143 | 28371B | | Fuel Tank Bracket |
| 144 | 34182 | | Fuel Tank Bracket |
| 145 | 650561 | | Screw, 1/4-20 x 5/8" |
| 146 | 650665 | | Screw, 1/4-15 x 7/8" |
| 149 | 35392 | | Plug, Starter |
| 155 | 29774 | | Fuel Line (Braided, 8-1/4") (Use as r equired) |

| Ref # | Part Number | Qty | Description |
|-------|-------------|-----|--|
| 155 | 30705 | | Fuel Line (Braided, 16") (Use as required) |
| 156 | 26460 | | Clamp, Fuel line (Use as required) |
| 157 | 610973 | | Terminal Ass'y. (Use as required) |
| 190 | 34611 | | Decal, Instruction |
| 194A | 631021 | | Inlet Needle Seat & Clip Assy. |
| 195A | 632284 | | Carburetor (Incl. 56) (Refer to Division 5, Section A, page 186 for breakdown) |
| 200 | 33233A | | * Gasket Set (Incl. items marked *) |

ILLUSTRATION SHOWS TYPICAL PARTS ONLY. ORDER BY PART NUMBER. PARTS NOT LISTED ARE SUPPLIED BY OEM.



| Ref # | Part Number | Qty | Description |
|-------|-------------|-----|---|
| 1 | 34708A | | Cylinder (Incl. 2, 3 & 6) (2-1/2" Bore) |
| 26 | 27625 | | Plug, Oil fill (Incl. 28) |
| 28 | 29673 | | * Gasket, Oil fill plug |
| 54 | 650840 | | Screw, 1/4-20 x 1-7/32" |
| 56A | 27272A | | * Gasket, Carburetor to air cleaner |
| 56 | 26756 | | * Gasket, Carburetor to intake |
| 58A | 730127 | | Air Cleaner Ass'y. (Incl. 56A, 58, 59, 60, 66, 67 & 170) (Use as required) |
| 58A | 730164 | | Air Cleaner Ass'y. (Incl. 56A, 58, 59, 60, 66, 67 & 170A) (Use as required) |
| 58B | 31545 | | Air Cleaner Ass'y. (Incl. 56A, 59A, 60A, 61 & 62) (Use as required) |
| 58 | 31708 | | Bracket, Air cleaner |
| 59 | 31700 | | Element, Air cleaner |
| 60 | 31715 | | Body, Air cleaner |
| 66 | 28820 | | Screw, 10-32 x 1/2" |
| 67 | 650152 | | Screw, 8-32 x 3/8" |
| 69A | 730162 | | Kit, Exhaust adapter (Incl. 69 & 77B) (Use as required) (Not for use on PTO side exhaust) |
| 70 | 34610 | | Muffler |
| 77B | 650795 | | Screw, 1/4-20 x 2-1/4" |
| 80 | 31510 | | Lever, Governor |
| 81 | 31335 | | Clamp, Governor lever |
| 82 | 650548 | | Screw, 8-32 x 5/16" |
| 90 | 27793 | | Clip, Conduit |
| 91 | 28942 | | Screw, 10-32 x 3/8" |
| 92 | 31426 | | Spring, Extension |
| 114 | 650814 | | Screw, Torx T-15, 10-24 x 1" |
| 157 | 610973 | | Terminal Ass'y. (Use as required) |
| 161 | 34594 | | Rod, Choke |
| 190A | 34612 | | Decal, Air cleaner |

ILLUSTRATION SHOWS TYPICAL PARTS ONLY. ORDER BY PART NUMBER. PARTS NOT LISTED ARE SUPPLIED BY OEM.



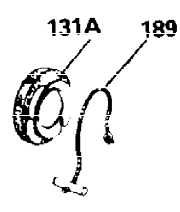
**MODEL and SERIAL
 NUMBERS HERE**



**OPTIONAL 110 - 120 VOLT
 STARTER MOTOR KIT**



**STARTER MUFF KIT
 (OPTIONAL)**



| Ref # | Part Number | Qty | Description |
|-------|-------------|-----|---|
| 1 | 34708A | | Cylinder (Incl. 2, 3 & 6) (2-1/2" Bore) |
| 41 | 650695A | | Screw, 5/16-18 x 2-1/4" (Use as required) |
| 41 | 6021A | | Screw, 5/16-18 x 1-1/2" (Use as required) |
| 41 | 650865 | | Screw, 5/16-18 x 2" (Use as required) |
| 111 | 34080 | | Spacer, Flywheel key |
| 112 | 34443A | | Solid State Ass'y. |
| 113 | 650872 | | Stud, Solid State mounting |
| 114 | 650814 | | Screw, Torx T-15, 10-24 x 1" |
| 116 | 610118 | | Cover, Spark plug (Use as required) |
| 118 | 611080 | | Flywheel |
| 119A | 35585 | | Housing, Blower |
| 122 | 29212 | | Screw, 1/4-28 x 7/16" |
| 123 | 650168 | | Washer |
| 136A | 650884 | | Screw, 8-32 x 1/2" |
| 149 | 35392 | | Plug, Starter |
| 163B | 32204 | | Bracket, Starter air cleaner (Optional) |
| 163C | 34870 | | Decal, Instruction (Optional) |
| 163 | 730571 | | Str.Muff Kit(Incl.163A,163B,163C)(Opt .) |
| 163A | 32203 | | Air Cleaner, Starter (Optional) |
| 190 | 34611 | | Decal, Instruction |
| 190A | 34612 | | Decal, Air cleaner |
| 197A | 590642 | | Starter, Rewind (Refer to Division 5, Section C, page 34 for breakdown) |
| 198A | 33290D | | Electric Starter Motor (120 volt) This 120-Volt starter motor kit can be used on those models equipped with electric starter provisions. Refer to Division 5, Section D, Page 16 for breakdown. |