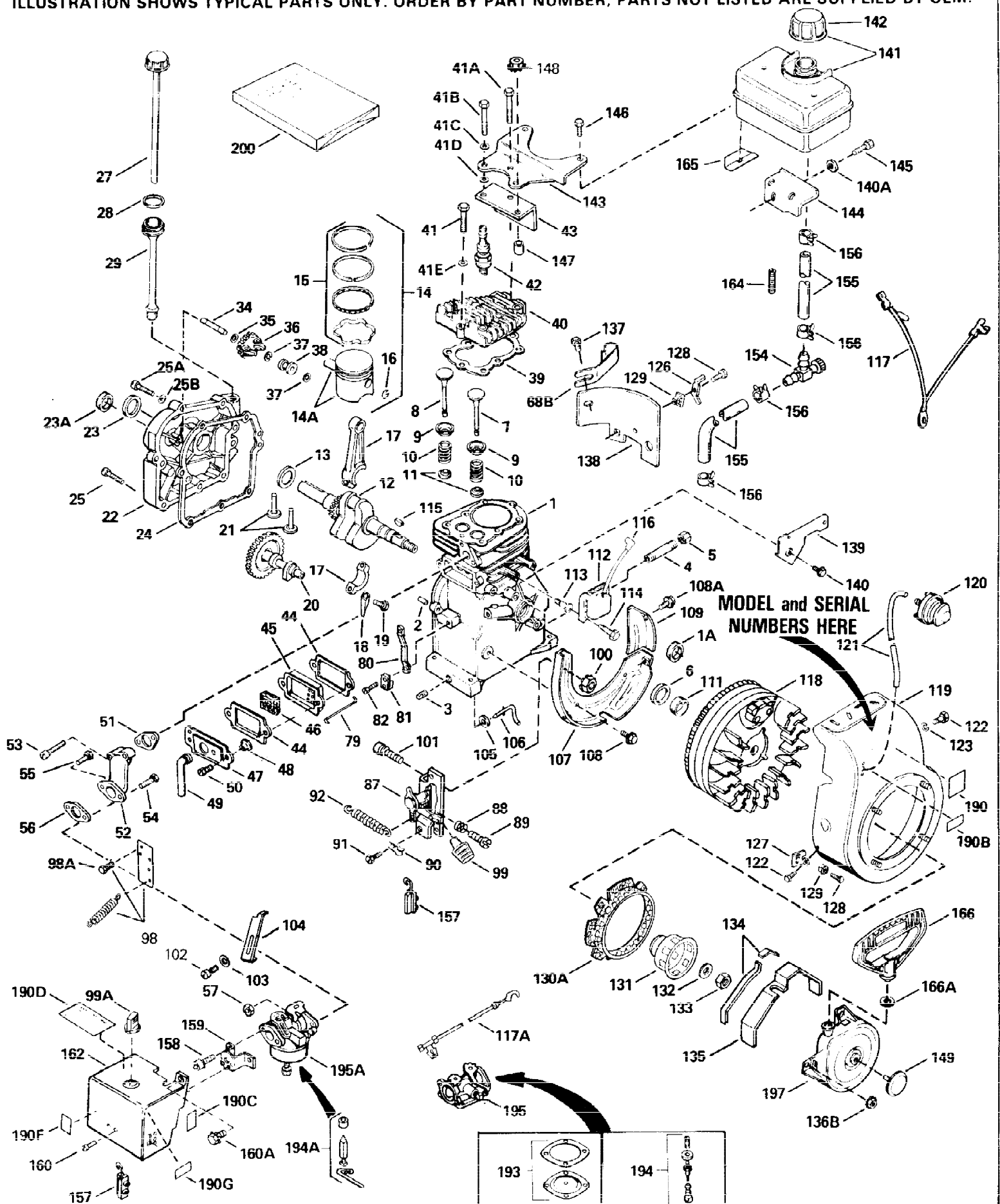


ILLUSTRATION SHOWS TYPICAL PARTS ONLY. ORDER BY PART NUMBER, PARTS NOT LISTED ARE SUPPLIED BY OEM.

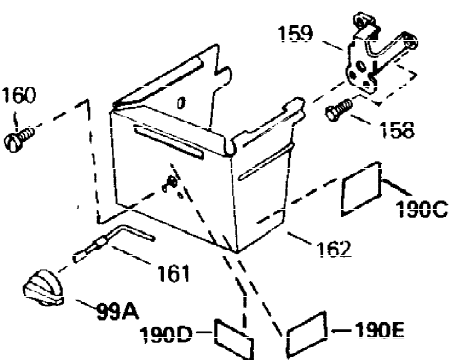
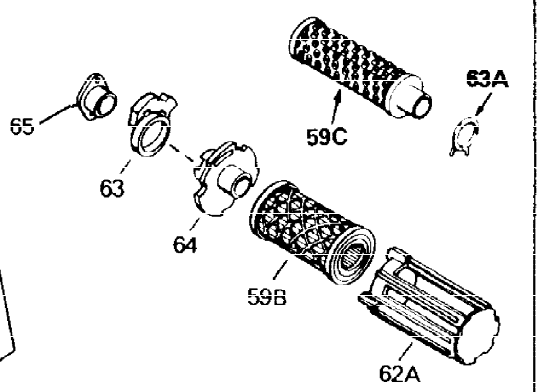
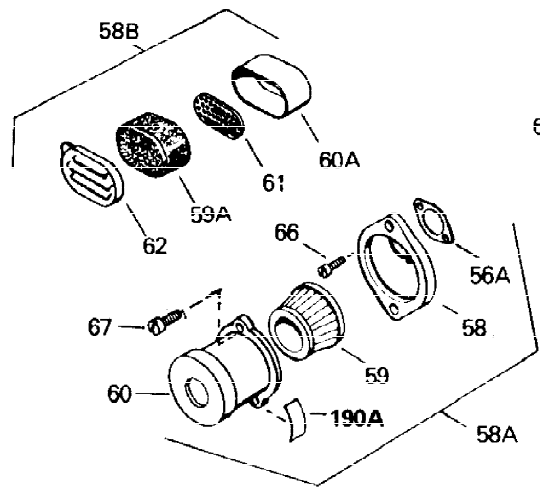
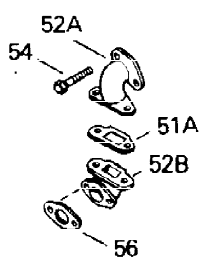
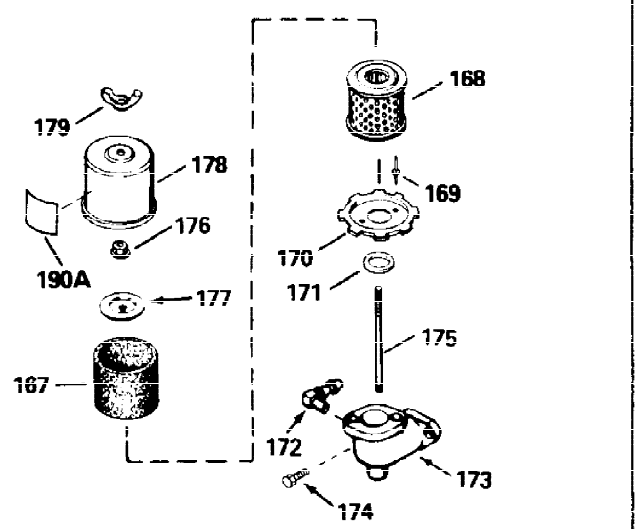
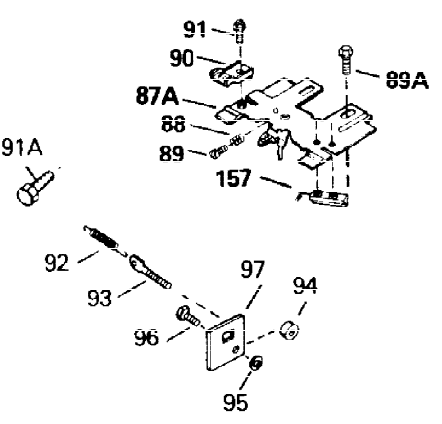
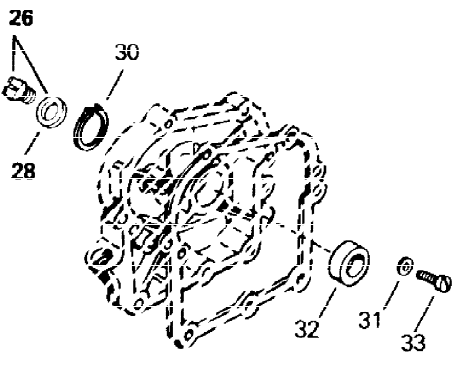


| Ref # | Part Number | Qty | Description                                  |
|-------|-------------|-----|--|
| 1     | 34708A      |     | Cylinder (Incl. 2, 3 & 6) (2-1/2" Bore)      |
| 2     | 26727       |     | Pin, Dowel                                   |
| 3     | 27642       |     | Pipe plug, 1/4-18                            |
| 6     | 32600       |     | Seal, Oil                                    |
| 7     | 29314B      |     | Intake Valve (Std.) (Incl. 11)               |
| 7     | 29315C      |     | Intake Valve (1/32" OS) (Incl. 11)           |
| 8     | 29313C      |     | Exhaust Valve (Std.) (Incl. 11)              |
| 8     | 29315C      |     | Exhaust Valve (1/32" OS) (Incl. 11)          |
| 9     | 31671       |     | Valve Spring Cap (Used in early production)  |
| 10    | 31672       |     | Spring, Valve                                |
| 11    | 31673       |     | Valve Spring Cap                             |
| 12    | 34727       |     | Crankshaft (Incl. 23)                        |
| 14A   | 32538B      |     | Piston & Pin Ass'y.(Std.)(2-1/2")(Incl.16)   |
| 14A   | 32548B      |     | Piston & Pin Ass'y. (.010" OS) (Incl. 16)    |
| 14A   | 32549B      |     | Piston & Pin Ass'y. (.020" OS) (Incl. 16)    |
| 14    | 34514       |     | Piston, Pin & Ring Set (Std.) (2-1/2" Bore)  |
| 14    | 34515       |     | Piston, Pin & Ring Set (.010" OS)            |
| 14    | 34516       |     | Piston, Pin & Ring Set (.020" OS)            |
| 15    | 28986       |     | Ring Set (Std.) (2-1/2" Bore)                |
| 15    | 28987       |     | Ring Set (.010" OS)                          |
| 15    | 28988       |     | Ring Set (.020" OS)                          |
| 16    | 20381       |     | Ring, Piston retaining                       |
| 17    | 30963B      |     | Rod Assy., Connecting (Incl. 19)             |
| 18    | 28594       |     | Dipper, Oil                                  |
| 19    | 32610A      |     | Bolt, Connecting rod                         |
| 20    | 33149A      |     | Camshaft                                     |
| 21    | 27241       |     | Lifter, Valve                                |
| 22    | 30756B      |     | Cover, Cylinder (Incl. 23, 26, 28 & 34) (BB) |
| 23    | 28540       |     | Seal, Oil                                    |
| 24    | 27677A      |     | * Gasket, Cylinder cover                     |
| 25    | 650488      |     | Screw, 1/4-20 x 1-1/4"                       |
| 28    | 29673       |     | * Gasket, Oil fill plug                      |
| 34    | 30574       |     | Shaft, Mechanical governor                   |
| 35    | 35479       |     | Washer, Flat                                 |
| 36    | 30591       |     | Gear Assy., Governor (Incl. 35)              |
| 37    | 29193       |     | Ring, Retaining                              |
| 38    | 30588A      |     | Spool, Governor                              |
| 39    | 29953C      |     | * Gasket, Cylinder head                      |
| 40    | 30579A      |     | Head, Cylinder (Incl. 41A)                   |
| 41A   | 650694A     |     | Screw, 5/16-18 x 2" (Use as required)        |
| 41    | 650695A     |     | Screw, 5/16-18 x 2-1/4" (Use as required)    |
| 41    | 6021A       |     | Screw, 5/16-18 x 1-1/2" (Use as required)    |
| 41    | 650865      |     | Screw, 5/16-18 x 2" (Use as required)        |
| 42    | 33636       |     | Resistor Spark Plug (J-8C)                   |
| 43    | 33344       |     | Baffle, Heat                                 |
| 44    | 27234A      |     | * Gasket, Valve spring cover (Two required)  |
| 45    | 27666       |     | Breather Body & valve assy.                  |
| 46    | 31410       |     | Element, Breather                            |
| 47    | 34146       |     | Cover, Valve spring                          |
| 49    | 35350       |     | Tube, Breather                               |
| 50    | 650128      |     | Screw, 10-24 x 1/2"                          |
| 51    | 26754A      |     | * Gasket, Intake to cylinder                 |
| 52    | 28416A      |     | Pipe, Intake (Incl. 54)                      |
| 53    | 650664      |     | Screw, 1/4-20 x 1-19/32"                     |
| 54    | 650840      |     | Screw, 1/4-20 x 1-7/32"                      |

| Ref # | Part Number | Qty | Description  |
|-------|-------------|-----|--|
| 55    | 6201        |     | Screw, 1/4-28 x 7/8"   |
| 56    | 26756       |     | * Gasket, Carburetor to intake   |
| 57    | 29752       |     | Nut & Lockwasher Assy., 1/4-28   |
| 79    | 31858       |     | Link, Throttle   |
| 80    | 31510       |     | Lever, Governor  |
| 81    | 31335       |     | Clamp, Governor lever  |
| 82    | 650548      |     | Screw, 8-32 x 5/16"  |
| 87    | 33858A      |     | Control Bracket (Incl.88,89,100,101 & 157) NOTE:<br>In original production the speed control assembly is riveted to the blower housing baffle (Ref. #107).<br>Replacement speed control assembly includes screws (Ref. #101)and nuts (Ref. #100) for mounting. |
| 88    | 31342       |     | Spring, Compression  |
| 89    | 650549      |     | Screw, 5-40 x 7/16"  |
| 92    | 31426       |     | Spring, Extension  |
| 98    | 33857       |     | Spring Assy., Extension (Incl. 98A)  |
| 99    | 32410       |     | Knob, Speed control  |
| 100   | 30322       |     | Locknut, 8-32 (Use as required)  |
| 101   | 650139      |     | Screw, 8-32 x 1/2" (Use as required)   |
| 101   | 650152      |     | Screw, 8-32 x 3/8" (Use as required)   |
| 101   | 30200       |     | Screw, 10-24 x 9/16" (Use as required )  |
| 105   | 28277       |     | Washer, Flat   |
| 106   | 31334       |     | Rod, Governor  |
| 107   | 33342       |     | Baffle, Blower housing   |
| 108   | 650561      |     | Screw, 1/4-20 x 5/8"   |
| 108A  | 650701      |     | Screw, 8-18 x 7/16"  |
| 109   | 33341       |     | Baffle, Extension  |
| 111   | 34080       |     | Spacer, Flywheel key   |
| 112   | 34443A      |     | Solid State Ass'y.   |
| 113   | 650872      |     | Stud, Solid State mounting   |
| 114   | 650814      |     | Screw, Torx T-15, 10-24 x 1"   |
| 115   | 610961      |     | Flywheel key   |
| 116   | 610118      |     | Cover, Spark plug (Use as required)  |
| 117   | 35182       |     | Ground Wire Ass'y.   |
| 118   | 611080      |     | Flywheel   |
| 122   | 29212       |     | Screw, 1/4-28 x 7/16"  |
| 123   | 650168      |     | Washer   |
| 131   | 34694       |     | Cup, Starter   |
| 132   | 650815      |     | Washer, Belleville   |
| 133   | 650816      |     | Nut, Flywheel  |
| 137   | 650128      |     | Screw, 10-24 x 1/2"  |
| 138   | 29745       |     | Extension, Blower housing  |
| 139   | 34212       |     | Bracket, Hold down   |
| 140   | 30200       |     | Screw, 10-24 x 9/16"   |
| 141   | 35584       |     | Fuel Tank (Incl. 142 & 156)  |
| 142   | 33032       |     | Cap, Fuel filler (Use as required)   |
| 142   | 410144B     |     | Cap, Fuel filler (Std.) (Use as requi red)   |
| 142   | 35355       |     | Cap, Fuel filler   |
| 143   | 28371B      |     | Fuel Tank Bracket  |
| 144   | 34182       |     | Fuel Tank Bracket  |
| 145   | 650561      |     | Screw, 1/4-20 x 5/8"   |
| 146   | 650665      |     | Screw, 1/4-15 x 7/8"   |
| 149   | 35392       |     | Plug, Starter  |
| 155   | 29774       |     | Fuel Line (Braided, 8-1/4") (Use as r equired)   |

| Ref # | Part Number | Qty | Description  |
|-------|-------------|-----|--|
| 155   | 30705       |     | Fuel Line (Braided, 16") (Use as required)                                     |
| 156   | 26460       |     | Clamp, Fuel line (Use as required)   |
| 157   | 610973      |     | Terminal Ass'y. (Use as required)  |
| 190C  | 34346       |     | Decal, Instruction   |
| 190F  | 35344       |     | Decal, Instruction   |
| 190   | 550223      |     | Decal, Name  |
| 194A  | 631021      |     | Inlet Needle Seat & Clip Assy.   |
| 195A  | 631921      |     | Carburetor (Incl. 56) (Refer to Division 5, Section A, page 138 for breakdown) |
| 200   | 33233A      |     | * Gasket Set (Incl. items marked *)  |

ILLUSTRATION SHOWS TYPICAL PARTS ONLY. ORDER BY PART NUMBER. PARTS NOT LISTED ARE SUPPLIED BY OEM.

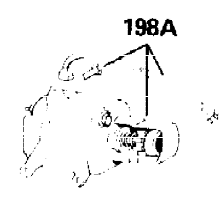
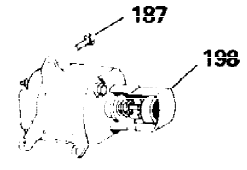


| Ref # | Part Number | Qty | Description   |
|-------|-------------|-----|---|
| 1     | 34708A      |     | Cylinder (Incl. 2, 3 & 6) (2-1/2" Bore)   |
| 26    | 27625       |     | Plug, Oil fill (Incl. 28)   |
| 28    | 29673       |     | * Gasket, Oil fill plug   |
| 30    | 28539       |     | Ring, Retaining   |
| 31    | 28537       |     | Washer, Flat  |
| 32    | 28458       |     | Ball bearing  |
| 33    | 30200       |     | Screw, 10-24 x 9/16"  |
| 54    | 650840      |     | Screw, 1/4-20 x 1-7/32"   |
| 56    | 26756       |     | * Gasket, Carburetor to intake  |
| 56A   | 27272A      |     | * Gasket, Carburetor to air cleaner   |
| 58B   | 31545       |     | Air Cleaner Ass'y. (Incl. 56A, 59A, 60A, 61 & 62)<br>(Use as required)                    |
| 58    | 31691       |     | Bracket, Air cleaner  |
| 58A   | 730127      |     | Air Cleaner Ass'y. (Incl. 56A, 58, 59, 60, 66, 67 & 170) (Use as required)                |
| 58A   | 730164      |     | Air Cleaner Ass'y. (Incl. 56A, 58, 59, 60, 66, 67 & 170A) (Use as required)               |
| 59    | 31700       |     | Element, Air cleaner  |
| 60    | 31715       |     | Body, Air cleaner   |
| 66    | 28820       |     | Screw, 10-32 x 1/2"   |
| 67    | 650152      |     | Screw, 8-32 x 3/8"  |
| 69A   | 730162      |     | Kit, Exhaust adapter (Incl. 69 & 77B) (Use as required) (Not for use on PTO side exhaust) |
| 69    | 30081A      |     | * Gasket, Muffler   |
| 70A   | 30996       |     | Muffler   |
| 77B   | 650493      |     | Screw, 1/4-20 x 1-3/4"  |
| 80    | 31510       |     | Lever, Governor   |
| 81    | 31335       |     | Clamp, Governor lever   |
| 82    | 650548      |     | Screw, 8-32 x 5/16"   |
| 88    | 31342       |     | Spring, Compression   |
| 89    | 650549      |     | Screw, 5-40 x 7/16"   |
| 92    | 31426       |     | Spring, Extension   |
| 114   | 650814      |     | Screw, Torx T-15, 10-24 x 1"  |
| 157   | 610973      |     | Terminal Ass'y. (Use as required)   |
| 161   | 34594       |     | Rod, Choke  |
| 190C  | 34346       |     | Decal, Instruction  |

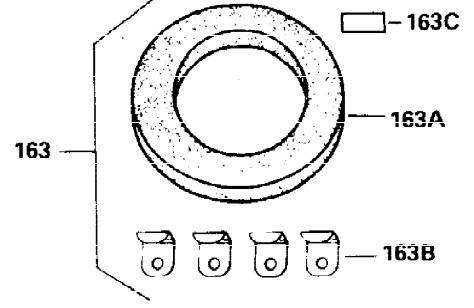
ILLUSTRATION SHOWS TYPICAL PARTS ONLY. ORDER BY PART NUMBER. PARTS NOT LISTED ARE SUPPLIED BY OEM.



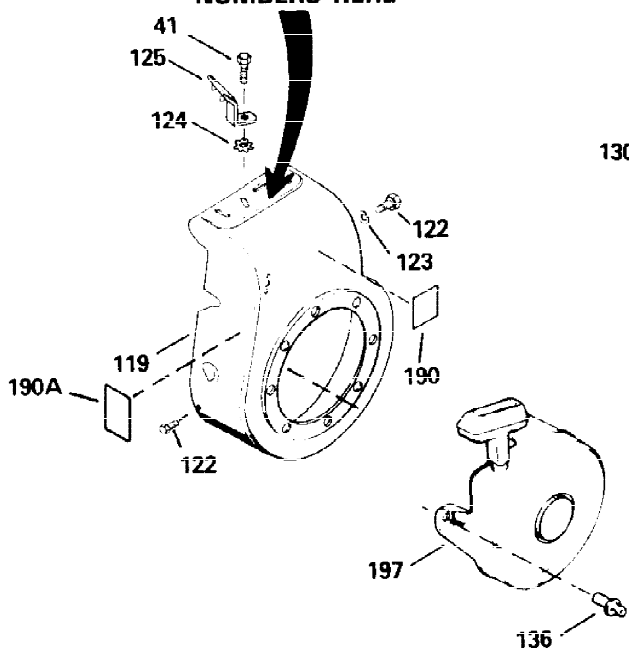
**OPTIONAL 110 - 120 VOLT  
 STARTER MOTOR KIT**



**STARTER MUFF KIT  
 (OPTIONAL)**



**MODEL and SERIAL  
 NUMBERS HERE**



| Ref # | Part Number | Qty | Description   |
|-------|-------------|-----|---|
| 1     | 34708A      |     | Cylinder (Incl. 2, 3 & 6) (2-1/2" Bore)   |
| 41    | 650695A     |     | Screw, 5/16-18 x 2-1/4" (Use as required)   |
| 41    | 6021A       |     | Screw, 5/16-18 x 1-1/2" (Use as required)   |
| 41    | 650865      |     | Screw, 5/16-18 x 2" (Use as required)   |
| 111   | 34080       |     | Spacer, Flywheel key  |
| 112   | 34443A      |     | Solid State Ass'y.  |
| 113   | 650872      |     | Stud, Solid State mounting  |
| 114   | 650814      |     | Screw, Torx T-15, 10-24 x 1"  |
| 116   | 610118      |     | Cover, Spark plug (Use as required)   |
| 118   | 611080      |     | Flywheel  |
| 119A  | 35585       |     | Housing, Blower   |
| 122   | 29212       |     | Screw, 1/4-28 x 7/16"   |
| 123   | 650168      |     | Washer  |
| 136A  | 650884      |     | Screw, 8-32 x 1/2"  |
| 149   | 35392       |     | Plug, Starter   |
| 163A  | 32203       |     | Air Cleaner, Starter (Optional)   |
| 163C  | 34870       |     | Decal, Instruction (Optional)   |
| 163   | 730571      |     | Str.Muff Kit(Incl.163A,163B,163C)(Opt .)  |
| 163B  | 32204       |     | Bracket, Starter air cleaner (Optional)   |
| 190   | 550223      |     | Decal, Name   |
| 197A  | 590642      |     | Starter, Rewind (Refer to Division 5, Section C, page 34 for breakdown)   |
| 198A  | 33290D      |     | Electric Starter Motor (120 volt) This 120-Volt starter motor kit can be used on those models equipped with electric starter provisions. Refer to Division 5, Section D, Page 16 for breakdown. |