

ILLUSTRATION SHOWS TYPICAL PARTS ONLY. ORDER BY PART NUMBER. PARTS NOT LISTED ARE SUPPLIED BY OEM.

VIEW 1 OF 2



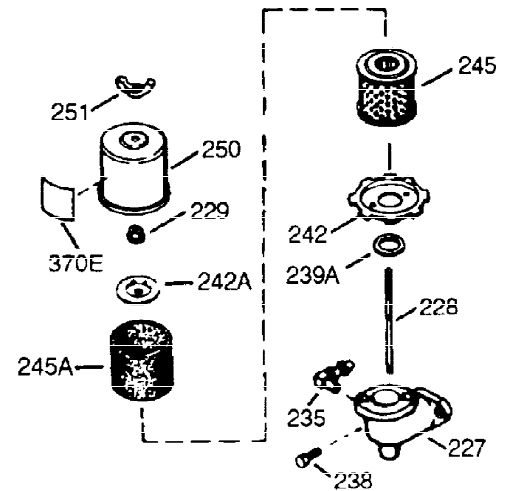
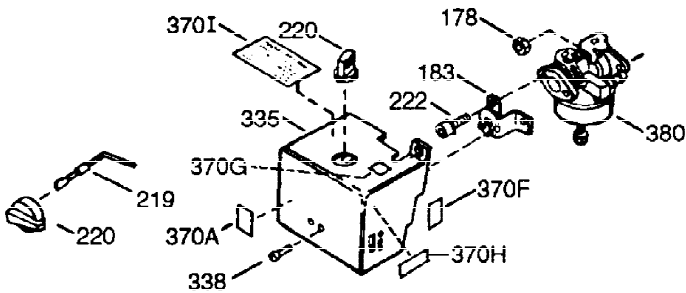
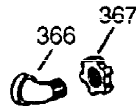
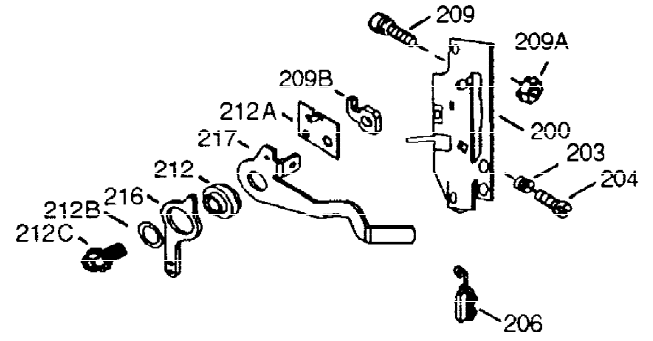
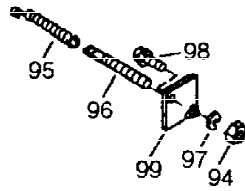
| Ref # | Part Number | Qty | Description |
|-------|-------------|-----|---|
| 1 | 36589 | 1 | Cylinder (Incl. 2,20,72 & 125) |
| 2 | 26727 | 2 | Dowel Pin |
| 14 | 28277 | 1 | Washer |
| 15 | 31334 | 1 | Governor Rod |
| 16 | 31510 | 1 | Governor Lever |
| 17 | 29916 | 1 | Governor Lever Clamp |
| 18 | 650548 | 1 | Screw, 8-32 x 5/16" |
| 19 | 31426 | 1 | Extension Spring |
| 19D | 33857 | 1 | Extension Spring Ass'y. (Incl. 213) |
| 20 | 32600 | 1 | Oil Seal |
| 23 | 28458 | 1 | Ball Bearing |
| 25A | 35883 | 1 | Baffle Extension |
| 25 | 36552 | 1 | Blower Housing Baffle (Incl. 262) |
| 26 | 650802 | 2 | Screw, 1/4-20 x 5/8" |
| 26A | 650926 | 1 | Screw, 8-32 x 21/64" |
| 27 | 28539 | 1 | Bearing Retainer |
| 30 | 34727 | 1 | Crankshaft |
| 40 | 34514 | 1 | Piston, Pin & Ring Set (Std.) |
| 40 | 34515 | 1 | Piston, Pin & Ring Set (.010" OS) |
| 40 | 34516 | 1 | Piston, Pin & Ring Set (.020" OS) |
| 41 | 32538B | 1 | Piston & Pin Ass'y. (Std.) (Incl. 43) |
| 41 | 32548B | 1 | Piston & Pin Ass'y. (.010" OS) (Incl. 43) |
| 41 | 32549B | 1 | Piston & Pin Ass'y. (.020" OS) (Incl. 43) |
| 42 | 28986 | 1 | Ring Set (Std.) |
| 42 | 28987 | 1 | Ring Set (.010" OS) |
| 42 | 28988 | 1 | Ring Set (.020" OS) |
| 43 | 20381 | 2 | Piston Pin Retaining Ring |
| 45 | 30963B | 1 | Connecting Rod Ass'y. (Incl. 46 & 49) |
| 46 | 32610A | 2 | Connecting Rod Bolt |
| 48 | 27241 | 2 | Valve Lifter |
| 49 | 28594 | 1 | Oil Dipper |
| 50 | 33149A | 1 | Camshaft (BCR) |
| 60 | 29745 | 1 | Blower Housing Extension |
| 62 | 650760 | 1 | Screw, 8-32 x 3/8" |
| 63 | 28545 | 1 | Grommet |
| 65 | 650128 | 1 | Screw, 10-24 x 1/2" |
| 68 | 33356 | 1 | Ground Terminal |
| 69 | 27677A | 1 | * Cylinder Cover Gasket |
| 70 | 30756C | 1 | Cylinder Cover (Incl. 75 thru 83,311) |
| 72 | 27642 | 2 | Oil Drain Plug |
| 74A | 28537 | 2 | Washer |
| 74 | 30200 | 2 | Screw, 10-24 x 9/16" |
| 75 | 28540 | 1 | Oil Seal |
| 80 | 30574A | 1 | Governor Shaft |
| 81 | 30590A | 1 | Washer |
| 82 | 30591 | 1 | Governor Gear Ass'y. (Incl. 81) |
| 83 | 30588A | 1 | Governor Spool |
| 86 | 650488 | 7 | Screw, 1/4-20 x 1-1/4" |
| 89 | 610961 | 1 | Flywheel Key |
| 90 | 611195 | 1 | Flywheel |
| 92 | 650815 | 1 | Belleville Washer |
| 93 | 650816 | 1 | Flywheel Nut |
| 100 | 34443A | 1 | Solid State Ignition |
| 101 | 27276 | 1 | Spark Plug Cover |
| 102 | 650872 | 2 | Stud |

| Ref # | Part Number | Qty | Description |
|-------|-------------|-----|--|
| 103 | 651007 | 2 | Screw, Torx T-15, 10-24 x 15/16" |
| 110 | 36681 | 1 | Ground Wire |
| 118 | 35515 | 1 | Rope Guard |
| 119 | 36437 | 1 | * Cylinder Head Gasket |
| 120 | 36438 | 1 | Cylinder Head (Incl. 130) |
| 125 | 36471 | 1 | Exhaust Valve (Std.) (Incl. 151) |
| 125 | 36472 | 1 | Exhaust Valve (1/32" OS) (Incl. 151) |
| 126 | 29315C | 1 | Intake Valve (1/32" OS) (Incl. 151) |
| 126 | 29314B | 1 | Intake Valve (Std.) (Incl. 151) |
| 130 | 650694A | 5 | Screw, 5/16-18 x 2" |
| 130A | 6021A | 3 | Screw, 5/16-18 x 1-1/2" |
| 133 | 650890 | 1 | Lock Washer, 5/16 |
| 134 | 30747 | 1 | Shorting Clip |
| 135 | 33636 | 1 | Resistor Spark Plug (RJ17LM) |
| 137 | 29752 | 1 | Nut & Lock Washer 1/4-28 |
| 150 | 31672 | 2 | Valve Spring |
| 151 | 31673 | 2 | Valve Spring Cap |
| 169 | 27234A | 2 | * Valve Cover Gasket |
| 170 | 27666 | 1 | Breather Body |
| 171 | 31410 | 1 | Breather Element |
| 172 | 34146 | 1 | Valve Cover |
| 173 | 35350 | 1 | Breather Tube |
| 174 | 30200 | 2 | Screw, 10-24 x 9/16" |
| 178 | 29752 | 2 | Nut & Lock Washer, 1/4-28 |
| 182 | 6201 | 2 | Screw, 1/4-28 x 7/8" |
| 184 | 26756 | 1 | * Carburetor To Intake Pipe Gasket |
| 185 | 28416A | 1 | Intake Pipe |
| 186 | 31858 | 1 | Governor Link |
| 200 | 730136A | 1 | Control Bracket (Incl. 19,203 thru 21 1) |
| 203 | 31342 | 1 | Compression Spring |
| 204 | 650549 | 1 | Screw, 5-40 x 7/16" |
| 209A | 30322 | 2 | Lock Nut |
| 209 | 650139 | 2 | Screw, 8-32 x 3/4" |
| 210 | 27793 | 1 | Conduit Clip |
| 211 | 28942 | 1 | Screw, 10-32 x 3/8" |
| 213 | 28942 | 1 | Screw, 10-32 x 3/8" |
| 223 | 650664 | 1 | Screw, 1/4-20 x 1-19/32" |
| 223A | 650840 | 1 | Screw, 1/4-20 x 1-7/32" |
| 224 | 26754A | 1 | * Intake Pipe Gasket |
| 238 | 650152 | 2 | Screw, 8-32 x 3/8" |
| 239 | 27272A | 1 | * Air Cleaner Gasket |
| 242 | 31691 | 1 | Air Cleaner Base |
| 243 | 28820 | 2 | Screw, 10-32 x 1/2" |
| 245 | 30727 | 1 | Air Cleaner Filter |
| 250 | 31715 | 1 | Air Cleaner Cover |
| 260 | 35657 | 1 | Blower Housing |
| 262 | 650737 | 2 | Screw, 1/4-20 x 1/2" |
| 267 | 34212 | 1 | Hold Down Bracket |
| 268 | 30200 | 1 | Screw, 10-24 x 9/16" |
| 274 | 33170A | 1 | * Exhaust Gasket |
| 275 | 33126A | 1 | Muffler (Incl. 277) |
| 277 | 650561 | 2 | Screw, 1/4-20 x 5/8" |
| 285 | 36467A | 1 | Starter Cup |
| 287 | 650926 | 2 | Screw, 8-32 x 21/64" |
| 290 | 30962 | 1 | Fuel Line |

| Ref # | Part Number | Qty | Description |
|-------|-------------|-----|---|
| 292 | 26460 | 2 | Fuel Line Clamp |
| 298 | 650665 | 2 | Screw, 1/4-15 x 7/8" |
| 300 | 35591 | 1 | Fuel Tank (Incl. 292 & 301) |
| 301 | 36246 | 1 | Fuel Cap |
| 311 | 27625 | 1 | Oil Fill Plug |
| 313 | 34080 | 1 | Spacer |
| 340 | 35230 | 1 | Fuel Tank Bracket |
| 342 | 650751 | 1 | Screw, 1/4-20 x 7/16" |
| 370A | 36261 | 1 | Lubrication Decal |
| 370 | 34686 | 1 | Name Decal |
| 370K | 36695 | 1 | Starter Decal |
| 380 | 631921 | 1 | Carburetor (Incl. 184) |
| 390 | 590732 | 1 | Rewind Starter (NOTE: This engine could have been built with 590738 starter. Refer to the design of the rope pulley strength ribs for part identification. Individual starter parts do not interchange. Refer to service bulletin 116). |
| 400 | 36439 | 1 | * Gasket Set (Incl. items marked PK in notes) Incl. part #'s 26754A (1), 26756 (1), 27234A (2), 27272A (1), 27677A (1), 29673 (1), 30081A (1), 31688A (1), 32649A (1), 36437 (1) |
| 420 | 730225 | 1 | SAE 30 4-Cycle Engine Oil (Quart) |

ILLUSTRATION SHOWS TYPICAL PARTS ONLY. ORDER BY PART NUMBER. PARTS NOT LISTED ARE SUPPLIED BY OEM.

VIEW 2 OF 2



OPTIONAL 110 - 120 VOLT
STARTER MOTOR KIT



396

| Ref # | Part Number | Qty | Description |
|-------|-------------|-----|--|
| 16 | 31510 | 1 | Governor Lever |
| 17 | 29916 | 1 | Governor Lever Clamp |
| 18 | 650548 | 1 | Screw, 8-32 x 5/16" |
| 28 | 30322 | 1 | Lock Nut 8-32 |
| 35 | 29826 | 1 | Screw, 10-32 x 3/4" |
| 36 | 29918 | 1 | Lock Washer |
| 37 | 29216 | 1 | Lock Nut 10-32 |
| 38 | 29642 | 1 | Retaining Ring |
| 178 | 29752 | 2 | Nut & Lock Washer, 1/4-28 |
| 200 | 730136A | 1 | Control Bracket (Incl. 19,203 thru 21 1) |
| 203 | 31342 | 1 | Compression Spring |
| 204 | 650549 | 1 | Screw, 5-40 x 7/16" |
| 209A | 30322 | 2 | Lock Nut |
| 209 | 650139 | 2 | Screw, 8-32 x 3/4" |
| 238 | 650152 | 2 | Screw, 8-32 x 3/8" |
| 242 | 31691 | 1 | Air Cleaner Base |
| 245 | 30727 | 1 | Air Cleaner Filter |
| 250 | 31715 | 1 | Air Cleaner Cover |
| 275 | 33126A | 1 | Muffler (Incl. 277) |
| 277 | 650561 | 2 | Screw, 1/4-20 x 5/8" |
| 370A | 36261 | 1 | Lubrication Decal |
| 380 | 631921 | 1 | Carburetor (Incl. 184) |