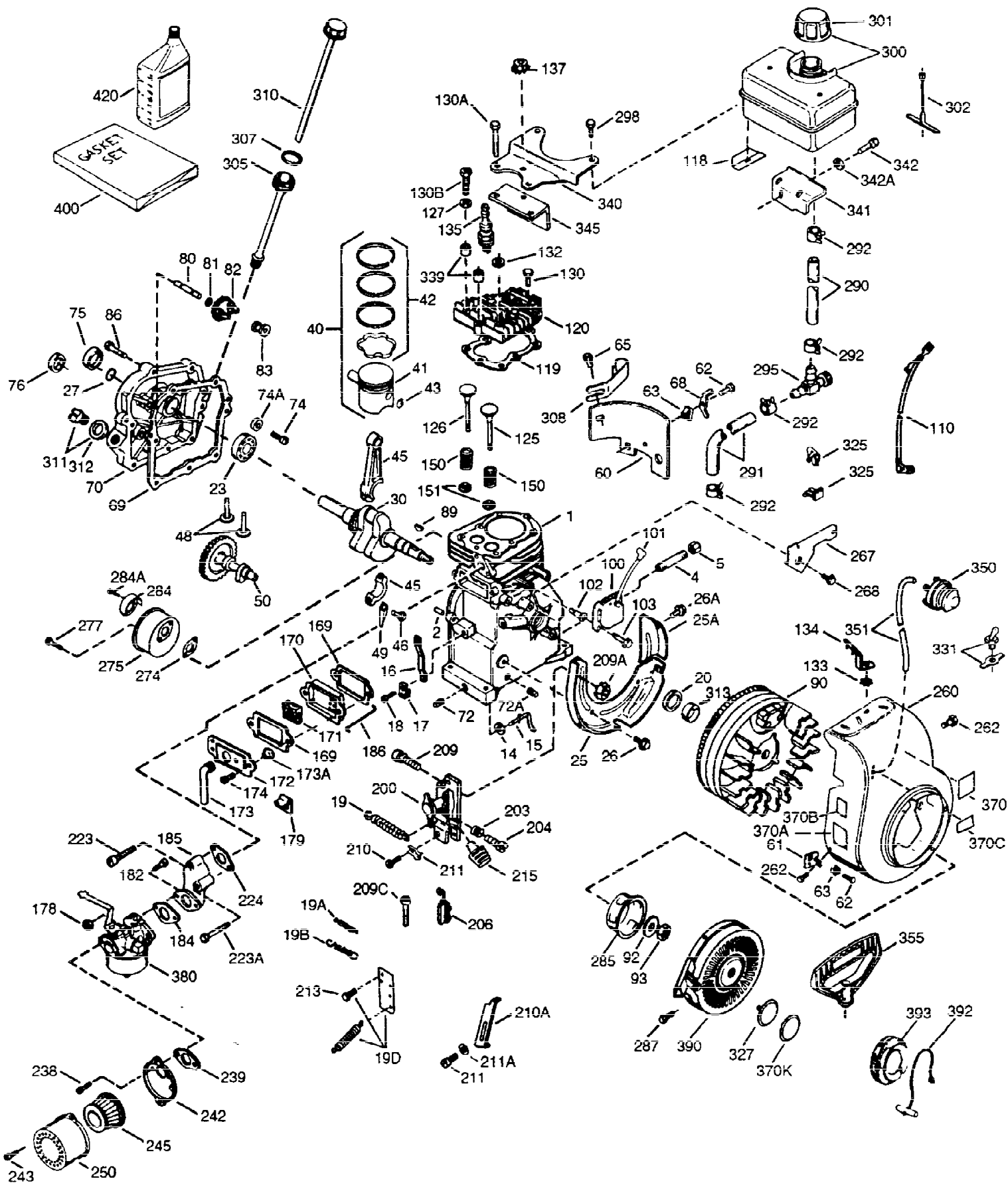


ILLUSTRATION SHOWS TYPICAL PARTS ONLY. ORDER BY PART NUMBER. PARTS NOT LISTED ARE SUPPLIED BY OEM.

VIEW 1 OF 2



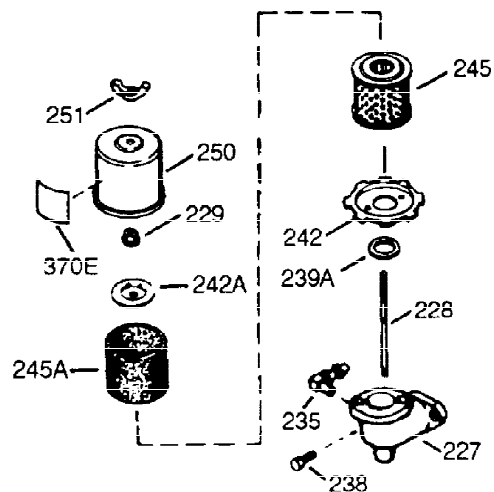
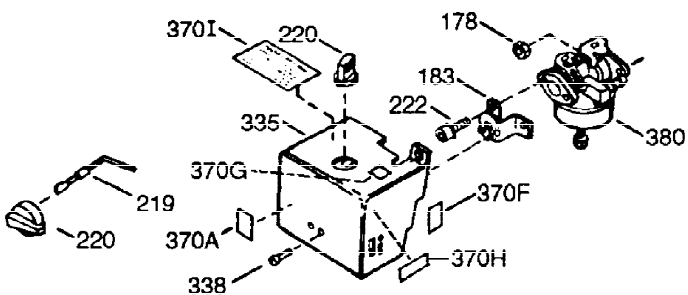
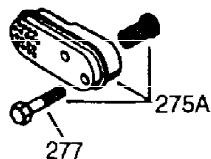
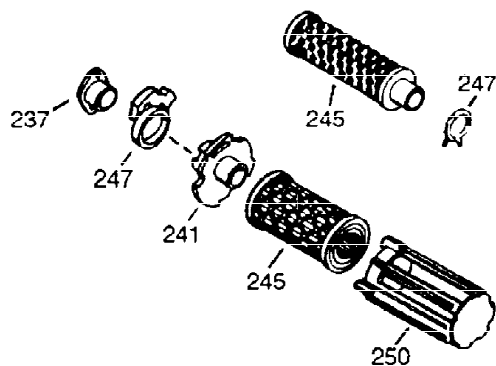
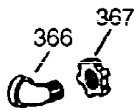
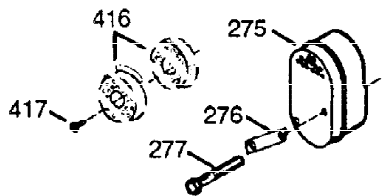
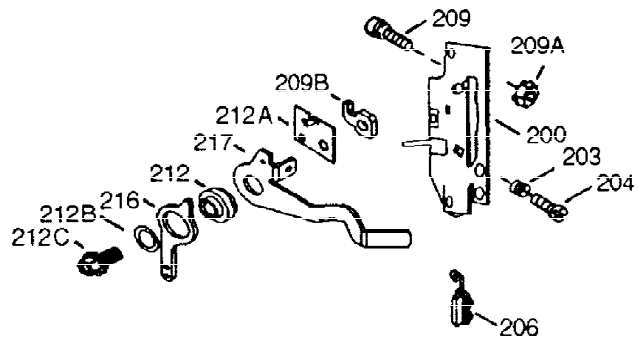
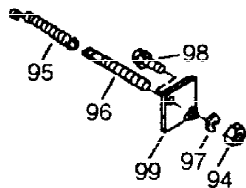
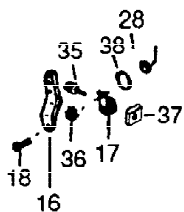
| Ref # | Part Number | Qty | Description                               |
|-------|-------------|-----|---|
| 1     | 36591       | 1   | Cylinder (Incl. 2,20,72 & 125)            |
| 2     | 26727       | 2   | Dowel Pin                                 |
| 14    | 28277       | 1   | Washer                                    |
| 15    | 31334       | 1   | Governor Rod                              |
| 16    | 31336       | 1   | Governor Lever                            |
| 17    | 31335       | 1   | Governor Lever Clamp                      |
| 18    | 651018      | 1   | Screw, Torx T-15, 8-32 x 19/64"           |
| 19    | 34593       | 1   | Extension Spring                          |
| 20    | 32600       | 1   | Oil Seal                                  |
| 25A   | 35883       | 1   | Baffle Extension                          |
| 25    | 36552       | 1   | Blower Housing Baffle (Incl. 262)         |
| 26    | 650802      | 2   | Screw, 1/4-20 x 5/8"                      |
| 26A   | 650926      | 1   | Screw, 8-32 x 21/64"                      |
| 30    | 34709       | 1   | Crankshaft                                |
| 40    | 40020       | 1   | Piston, Pin & Ring Set (Std.)             |
| 40    | 40021       | 1   | Piston, Pin & Ring Set (.010" OS)         |
| 41    | 40018       | 1   | Piston & Pin Ass'y. (Std.) (Incl. 43)     |
| 41    | 40019       | 1   | Piston & Pin Ass'y. (.010" OS) (Incl. 43) |
| 42    | 40022       | 1   | Ring Set (Std.)                           |
| 42    | 40023       | 1   | Ring Set (.010" OS)                       |
| 43    | 20381       | 2   | Piston Pin Retaining Ring                 |
| 45    | 30963B      | 1   | Connecting Rod Ass'y. (Incl. 46 & 49)     |
| 46    | 32610A      | 2   | Connecting Rod Bolt                       |
| 48    | 27241       | 2   | Valve Lifter                              |
| 49    | 28594       | 1   | Oil Dipper                                |
| 50    | 32197A      | 1   | Camshaft (MCR)                            |
| 60    | 29745       | 1   | Blower Housing Extension                  |
| 65    | 650128      | 1   | Screw, 10-24 x 1/2"                       |
| 69    | 27677A      | 1   | * Cylinder Cover Gasket                   |
| 70    | 34683B      | 1   | Cylinder Cover (Incl. 75 thru 83)         |
| 72    | 27642       | 2   | Oil Drain Plug                            |
| 75    | 26208       | 1   | Oil Seal                                  |
| 80    | 30574A      | 1   | Governor Shaft                            |
| 81    | 30590A      | 1   | Washer                                    |
| 82    | 30591       | 1   | Governor Gear Ass'y. (Incl. 81)           |
| 83    | 30588A      | 1   | Governor Spool                            |
| 86    | 650488      | 7   | Screw, 1/4-20 x 1-1/4"                    |
| 89    | 610961      | 1   | Flywheel Key                              |
| 90    | 611195      | 1   | Flywheel                                  |
| 92    | 650815      | 1   | Belleville Washer                         |
| 93    | 650816      | 1   | Flywheel Nut                              |
| 100   | 34443B      | 1   | Solid State Ignition                      |
| 101   | 610118      | 1   | Spark Plug Cover                          |
| 102   | 651024      | 2   | Solid State Mounting Stud                 |
| 103   | 651007      | 2   | Screw, Torx T-15, 10-24 x 15/16"          |
| 110   | 35182       | 1   | Ground Wire                               |
| 119   | 36437       | 1   | * Cylinder Head Gasket                    |
| 120   | 36438       | 1   | Cylinder Head (Incl. 119 & 130)           |
| 125   | 36471       | 1   | Exhaust Valve (Std.) (Incl. 151)          |
| 125   | 36472       | 1   | Exhaust Valve (1/32" OS) (Incl. 151)      |
| 126   | 29314B      | 1   | Intake Valve (Std.) (Incl. 151)           |
| 126   | 29315C      | 1   | Intake Valve (1/32" OS) (Incl. 151)       |
| 127   | 650691      | 1   | Washer                                    |
| 130B  | 650865      | 1   | Screw, 5/16-18 x 2"                       |
| 130A  | 6021A       | 1   | Screw, 5/16-18 x 1-1/2"                   |

| Ref # | Part Number | Qty | Description   |
|-------|-------------|-----|---|
| 130   | 650694A     | 6   | Screw, 5/16-18 x 2"                                   |
| 132   | 650708      | 1   | Washer  |
| 135   | 33636       | 1   | Resistor Spark Plug (CJ8)                             |
| 150   | 31672       | 2   | Valve Spring  |
| 151   | 31673       | 2   | Valve Spring Cap                                      |
| 169   | 27234A      | 2   | * Valve Cover Gasket                                  |
| 170   | 27666       | 1   | Breather Body   |
| 171   | 31410       | 1   | Breather Element                                      |
| 172   | 34146       | 1   | Valve Cover   |
| 173   | 32447       | 1   | Breather Tube   |
| 173A  | 32446       | 1   | Breather Tube Grommet                                 |
| 174   | 650783      | 2   | Screw, 10-24 x 3/4"                                   |
| 178   | 29752       | 2   | Nut & Lock Washer, 1/4-28                             |
| 179   | 30593       | 1   | Retainer Clip   |
| 182   | 6201        | 2   | Screw, 1/4-28 x 7/8"                                  |
| 184   | 26756       | 1   | * Carburetor To Intake Pipe Gasket                    |
| 185   | 36703       | 1   | Intake Pipe (Incl. 182,184,224)                       |
| 186   | 31341       | 1   | Governor Link   |
| 200   | 36677       | 1   | Control Bracket (Incl. 203 thru 209B & 212 th ru 217) |
| 203   | 31342       | 1   | Compression Spring                                    |
| 204   | 651029      | 1   | Screw, Torx T-10, 5-40 x 7/16"                        |
| 206   | 610973      | 1   | Terminal  |
| 209A  | 30322       | 2   | Lock Nut, 8-32  |
| 209   | 650139      | 2   | Screw, 8-32 x 1/2"                                    |
| 215   | 32410       | 1   | Control Knob  |
| 223   | 650451      | 2   | Screw, 1/4-20 x 1"                                    |
| 224   | 26754A      | 1   | * Intake Pipe Gasket                                  |
| 238   | 650152      | 2   | Screw, 8-32 x 3/8"                                    |
| 239   | 27272A      | 1   | * Air Cleaner Gasket                                  |
| 242   | 31914       | 1   | Air Cleaner Base                                      |
| 243   | 28820       | 2   | Screw, 10-32 x 1/2"                                   |
| 245   | 30727       | 1   | Air Cleaner Filter                                    |
| 250   | 31715       | 1   | Air Cleaner Cover                                     |
| 260   | 35585       | 1   | Blower Housing  |
| 262   | 650737      | 2   | Screw, 1/4-20 x 1/2"                                  |
| 275   | 40000       | 1   | Muffler (W/Catalyst)                                  |
| 277   | 650988      | 2   | Screw, 1/4-20 x 2-5/16"                               |
| 285   | 36467A      | 1   | Starter Cup   |
| 287   | 650926      | 2   | Screw, 8-32 x 21/64"                                  |
| 290   | 29774       | 1   | Fuel Line   |
| 292   | 26460       | 2   | Fuel Line Clamp                                       |
| 298   | 650665      | 2   | Screw, 1/4-15 x 7/8"                                  |
| 300   | 35591       | 1   | Fuel Tank (Incl. 292 & 301)                           |
| 301   | 36246       | 1   | Fuel Cap  |
| 305   | 35560       | 1   | Oil Fill Tube   |
| 307   | 35499       | 1   | "O"-Ring  |
| 308   | 35539       | 1   | Fill Tube Clip  |
| 310   | 35561       | 1   | Dipstick  |
| 313   | 34080       | 1   | Spacer  |
| 339   | 28212       | 2   | Spacer  |
| 340   | 35926       | 1   | Fuel Tank Bracket                                     |
| 342   | 650751      | 1   | Screw, 1/4-20 x 7/16"                                 |
| 345   | 32664       | 1   | Baffle Heat   |
| 370B  | 35703       | 1   | Control Decal   |
| 370A  | 36261       | 1   | Lubrication Decal                                     |

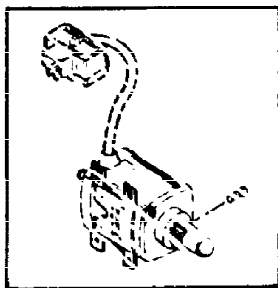
| Ref # | Part Number | Qty | Description  |
|-------|-------------|-----|--|
| 370   | 34686       | 1   | Name Decal   |
| 370K  | 36695       | 1   | Starter Decal  |
| 380   | 640063      | 1   | Carburetor (Incl. 184)   |
| 390   | 590732      | 1   | Rewind Starter (NOTE: This engine could have been built with 590738 starter).  |
| 400   | 36439       | 1   | * Gasket Set (Incl. items marked PK in notes) Incl. part #'s 26754A (1), 26756 (1), 27234A (2), 27272A (1), 27677A (1), 29673 (2), 30081A (1), 31688A (2), 36437 (1) |
| 420   | 730225      | 1   | SAE 30 4-Cycle Engine Oil (Quart)  |

ILLUSTRATION SHOWS TYPICAL PARTS ONLY. ORDER BY PART NUMBER. PARTS NOT LISTED ARE SUPPLIED BY OEM.

VIEW 2 OF 2



OPTIONAL 110 - 120 VOLT  
STARTER MOTOR KIT



396

| Ref # | Part Number | Qty | Description  |
|-------|-------------|-----|--|
| 16    | 31336       | 1   | Governor Lever                                       |
| 17    | 31335       | 1   | Governor Lever Clamp                                 |
| 18    | 651018      | 1   | Screw, Torx T-15, 8-32 x 19/64"                      |
| 178   | 29752       | 2   | Nut & Lock Washer, 1/4-28                            |
| 200   | 36677       | 1   | Control Bracket (Incl. 203 thru 209B & 212 thru 217) |
| 203   | 31342       | 1   | Compression Spring                                   |
| 204   | 651029      | 1   | Screw, Torx T-10, 5-40 x 7/16"                       |
| 206   | 610973      | 1   | Terminal   |
| 209A  | 30322       | 2   | Lock Nut, 8-32                                       |
| 209   | 650139      | 2   | Screw, 8-32 x 1/2"                                   |
| 209B  | 36691       | 1   | Lock Nut   |
| 212   | 36689       | 1   | Control Lever Bushing                                |
| 212C  | 650953      | 1   | Screw, 10-32 x 1/2"                                  |
| 212A  | 36688       | 1   | Bearing Plate  |
| 212B  | 650583      | 1   | Washer   |
| 216   | 36690       | 1   | R.P.M. Adjusting Lever                               |
| 238   | 650152      | 2   | Screw, 8-32 x 3/8"                                   |
| 242   | 31914       | 1   | Air Cleaner Base                                     |
| 245   | 30727       | 1   | Air Cleaner Filter                                   |
| 250   | 31715       | 1   | Air Cleaner Cover                                    |
| 275   | 40000       | 1   | Muffler (W/Catalyst)                                 |
| 277   | 650988      | 2   | Screw, 1/4-20 x 2-5/16"                              |
| 370A  | 36261       | 1   | Lubrication Decal                                    |
| 380   | 640063      | 1   | Carburetor (Incl. 184)                               |
| 416   | 36085       | 1   | Spark Arrestor Kit (Incl. 417)(Optional)             |
| 417   | 650760      | 1   | Screw, 8-32 x 3/8" (Optional)                        |