

ILLUSTRATION SHOWS TYPICAL PARTS ONLY. ORDER BY PART NUMBER. PARTS NOT LISTED ARE SUPPLIED BY OEM.

VIEW 1 OF 2



| Ref # | Part Number | Qty | Description                               |
|-------|-------------|-----|-------------------------------------------|
| 1     | 36589A      | 1   | Cylinder (Incl. 2,20,72 & 125)            |
| 2     | 26727       | 2   | Dowel Pin                                 |
| 14    | 28277       | 1   | Washer                                    |
| 15    | 31334       | 1   | Governor Rod                              |
| 16    | 37729       | 1   | Governor Lever                            |
| 17    | 31335       | 1   | Governor Lever Clamp                      |
| 18    | 651018      | 1   | Screw, T-15, 8-32 x 19/64"                |
| 19    | 31426       | 1   | Extension Spring                          |
| 20    | 32600       | 1   | Oil Seal                                  |
| 23    | 28458       | 1   | Ball Bearing                              |
| 25    | 36552       | 1   | Blower Housing Baffle (Incl. 262)         |
| 25A   | 35883       | 1   | Baffle Extension                          |
| 26    | 650802      | 2   | Screw, 1/4-20 x 5/8"                      |
| 26A   | 650926      | 1   | Screw, 8-32 x 21/64"                      |
| 27    | 28539       | 1   | Bearing Retainer                          |
| 30    | 34719       | 1   | Crankshaft                                |
| 40    | 40020       | 1   | Piston, Pin & Ring Set (Std.)             |
| 40    | 40021       | 1   | Piston, Pin & Ring Set (.010" OS)         |
| 41    | 40018       | 1   | Piston & Pin Ass'y. (Std.) (Incl. 43)     |
| 41    | 40019       | 1   | Piston & Pin Ass'y. (.010" OS) (Incl. 43) |
| 42    | 40022       | 1   | Ring Set (Std.)                           |
| 42    | 40023       | 1   | Ring Set (.010" OS)                       |
| 43    | 20381       | 2   | Piston Pin Retaining Ring                 |
| 45    | 30963B      | 1   | Connecting Rod Ass'y. (Incl. 46 & 49)     |
| 46    | 32610A      | 2   | Connecting Rod Bolt                       |
| 48    | 27241       | 2   | Valve Lifter                              |
| 49    | 28594       | 1   | Oil Dipper                                |
| 50    | 32197A      | 1   | Camshaft (MCR)                            |
| 60    | 29745       | 1   | Blower Housing Extension                  |
| 65    | 650128      | 1   | Screw, 10-24 x 1/2"                       |
| 69    | 27677A      | 1   | * Cylinder Cover Gasket                   |
| 70    | 30756C      | 1   | Cylinder Cover (Incl. 75 thru 83,311)     |
| 72    | 27642       | 2   | Oil Drain Plug                            |
| 74A   | 28537       | 2   | Washer                                    |
| 74    | 30200       | 2   | Screw, 10-24 x 9/16"                      |
| 75    | 28540       | 1   | Oil Seal                                  |
| 80    | 30574A      | 1   | Governor Shaft                            |
| 81    | 30590A      | 1   | Washer                                    |
| 82    | 30591       | 1   | Governor Gear Ass'y. (Incl. 81)           |
| 83    | 30588A      | 1   | Governor Spool                            |
| 86    | 650488      | 7   | Screw, 1/4-20 x 1-1/4"                    |
| 89    | 610961      | 1   | Flywheel Key                              |
| 90    | 611195      | 1   | Flywheel                                  |
| 92    | 650815      | 1   | Belleville Washer                         |
| 93    | 650816      | 1   | Flywheel Nut                              |
| 100   | 34443C      | 1   | Solid State Ignition                      |
| 101   | 610118      | 1   | Spark Plug Cover                          |
| 102   | 651024      | 2   | Solid State Mounting Stud                 |
| 103   | 651007      | 2   | Screw, T-15, 10-24 x 15/16"               |
| 110   | 35182       | 1   | Ground Wire                               |
| 119   | 36437       | 1   | * Cylinder Head Gasket                    |
| 120   | 36438       | 1   | Cylinder Head (Incl. 119 & 130)           |
| 125   | 36471       | 1   | Exhaust Valve (Std.) (Incl. 151)          |
| 125   | 36472       | 1   | Exhaust Valve (1/32" OS) (Incl. 151)      |
| 126   | 29314C      | 1   | Intake Valve (Std.) (Incl. 151)           |

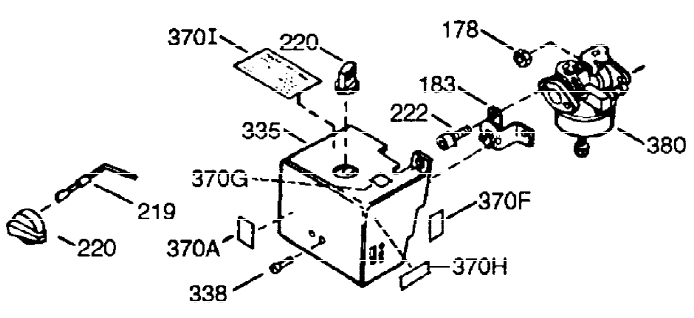
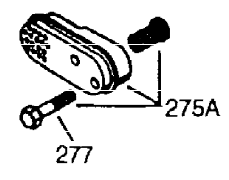
| Ref # | Part Number | Qty | Description                          |
|-------|-------------|-----|--------------------------------------|
| 126   | 29315C      | 1   | Intake Valve (1/32" OS) (Incl. 151)  |
| 130A  | 6021A       | 3   | Screw, 5/16-18 x 1-1/2"              |
| 130   | 650694A     | 5   | Screw, 5/16-18 x 2"                  |
| 135   | 33636       | 1   | Resistor Spark Plug (RJ17LM)         |
| 150   | 31672       | 2   | Valve Spring                         |
| 151   | 31673       | 2   | Valve Spring Cap                     |
| 151A  | 40016A      | 1   | Intake Valve Seal                    |
| 169   | 27234A      | 2   | * Valve Cover Gasket                 |
| 170   | 27666       | 1   | Breather Body                        |
| 171   | 31410       | 1   | Breather Element                     |
| 172   | 34146       | 1   | Valve Cover                          |
| 173   | 32447       | 1   | Breather Tube                        |
| 173A  | 32446       | 1   | Breather Tube Grommet                |
| 174   | 650783      | 2   | Screw, 10-24 x 3/4"                  |
| 178   | 29752       | 2   | Nut & Lock Washer, 1/4-28            |
| 182   | 6201        | 2   | Screw, 1/4-28 x 7/8"                 |
| 184   | 26756       | 1   | * Carburetor To Intake Pipe Gasket   |
| 185   | 28416A      | 1   | Intake Pipe                          |
| 186   | 37728       | 1   | Governor Link                        |
| 200   | 36677       | 1   | Control Bracket (Incl.203 thru 209A) |
| 203   | 31342       | 1   | Compression Spring                   |
| 204   | 651029      | 1   | Screw, T-10, 5-40 x 7/16"            |
| 206   | 610973      | 1   | Terminal                             |
| 209   | 650139      | 1   | Screw, 1/4-20 x 2-47/64              |
| 209A  | 30322       | 1   | Lock Nut, 8-32                       |
| 215   | 32410       | 1   | Control Knob                         |
| 223A  | 650840      | 1   | Screw, 1/4-20 x 1-7/32"              |
| 223   | 650664      | 1   | Screw, 1/4-20 x 1-19/32"             |
| 224   | 26754A      | 1   | * Intake Pipe Gasket                 |
| 238   | 650152      | 2   | Screw, 8-32 x 3/8"                   |
| 239   | 27272A      | 1   | * Air Cleaner Gasket                 |
| 242   | 31691       | 1   | Air Cleaner Base                     |
| 243   | 28820       | 2   | Screw, 10-32 x 1/2"                  |
| 245   | 31700       | 1   | Air Cleaner Filter                   |
| 250   | 31715       | 1   | Air Cleaner Cover                    |
| 260   | 35585       | 1   | Blower Housing                       |
| 262   | 650737      | 2   | Screw, 1/4-20 x 1/2"                 |
| 267   | 34212       | 1   | Hold Down Bracket                    |
| 268   | 30200       | 1   | Screw, 10-24 x 9/16"                 |
| 275   | 40001A      | 1   | Muffler (W/Catalyst)                 |
| 277   | 650988      | 2   | Screw, 1/4-20 x 2-5/16"              |
| 285   | 36467A      | 1   | Starter Cup                          |
| 287   | 650926      | 2   | Screw, 8-32 x 21/64"                 |
| 290   | 30705       | 1   | Fuel Line                            |
| 292   | 26460       | 2   | Fuel Line Clamp                      |
| 298   | 650665      | 2   | Screw, 1/4-15 x 7/8"                 |
| 300   | 35584       | 1   | Fuel Tank (Incl. 292 & 301)          |
| 301   | 36246       | 1   | Fuel Cap                             |
| 311   | 27625       | 1   | Oil Fill Plug (Incl. 312)            |
| 312   | 29673       | 1   | Oil Fill Plug Gasket                 |
| 313   | 34080       | 1   | Spacer                               |
| 340   | 36247       | 1   | Fuel Tank Bracket                    |
| 342   | 650751      | 1   | Screw, 1/4-20 x 7/16"                |
| 345   | 33344       | 1   | Heat Baffle                          |
| 370A  | 36261       | 1   | Lubrication Decal                    |

---

| Ref # | Part Number | Qty | Description                                    |
|-------|-------------|-----|------------------------------------------------|
| 370B  | 35703       | 1   | Control Decal                                  |
| 370K  | 36695       | 1   | Starter Decal                                  |
| 380   | 640167      | 1   | Carburetor (Incl. 184)                         |
| 390   | 590732A     | 1   | Rewind Starter                                 |
| 400   | 36439       | 1   | * Gasket Set (Incl. items marked PK i n notes) |
| 420   | 730225A     | 1   | SAE 30 4-Cycle Engine Oil (Quart)              |

ILLUSTRATION SHOWS TYPICAL PARTS ONLY. ORDER BY PART NUMBER. PARTS NOT LISTED ARE SUPPLIED BY OEM.

VIEW 2 OF 2



OPTIONAL 110 - 120 VOLT  
STARTER MOTOR KIT



396

| Ref # | Part Number | Qty | Description                              |
|-------|-------------|-----|------------------------------------------|
| 16    | 37729       | 1   | Governor Lever                           |
| 17    | 31335       | 1   | Governor Lever Clamp                     |
| 18    | 651018      | 1   | Screw, T-15, 8-32 x 19/64"               |
| 151A  | 40016A      | 1   | Intake Valve Seal                        |
| 178   | 29752       | 2   | Nut & Lock Washer, 1/4-28                |
| 200   | 36677       | 1   | Control Bracket (Incl.203 thru 209A)     |
| 203   | 31342       | 1   | Compression Spring                       |
| 204   | 651029      | 1   | Screw, T-10, 5-40 x 7/16"                |
| 206   | 610973      | 1   | Terminal                                 |
| 209A  | 30322       | 1   | Lock Nut, 8-32                           |
| 209   | 650139      | 1   | Screw, 1/4-20 x 2-47/64                  |
| 238   | 650152      | 2   | Screw, 8-32 x 3/8"                       |
| 242   | 31691       | 1   | Air Cleaner Base                         |
| 245   | 31700       | 1   | Air Cleaner Filter                       |
| 250   | 31715       | 1   | Air Cleaner Cover                        |
| 275   | 40001A      | 1   | Muffler (W/Catalyst)                     |
| 277   | 650988      | 2   | Screw, 1/4-20 x 2-5/16"                  |
| 370A  | 36261       | 1   | Lubrication Decal                        |
| 380   | 640167      | 1   | Carburetor (Incl. 184)                   |
| 416   | 36085       | 1   | Spark Arrestor Kit (Incl. 417)(Optional) |
| 417   | 650821      | 1   | Screw, 10-32 x 1/2" (Optional)           |