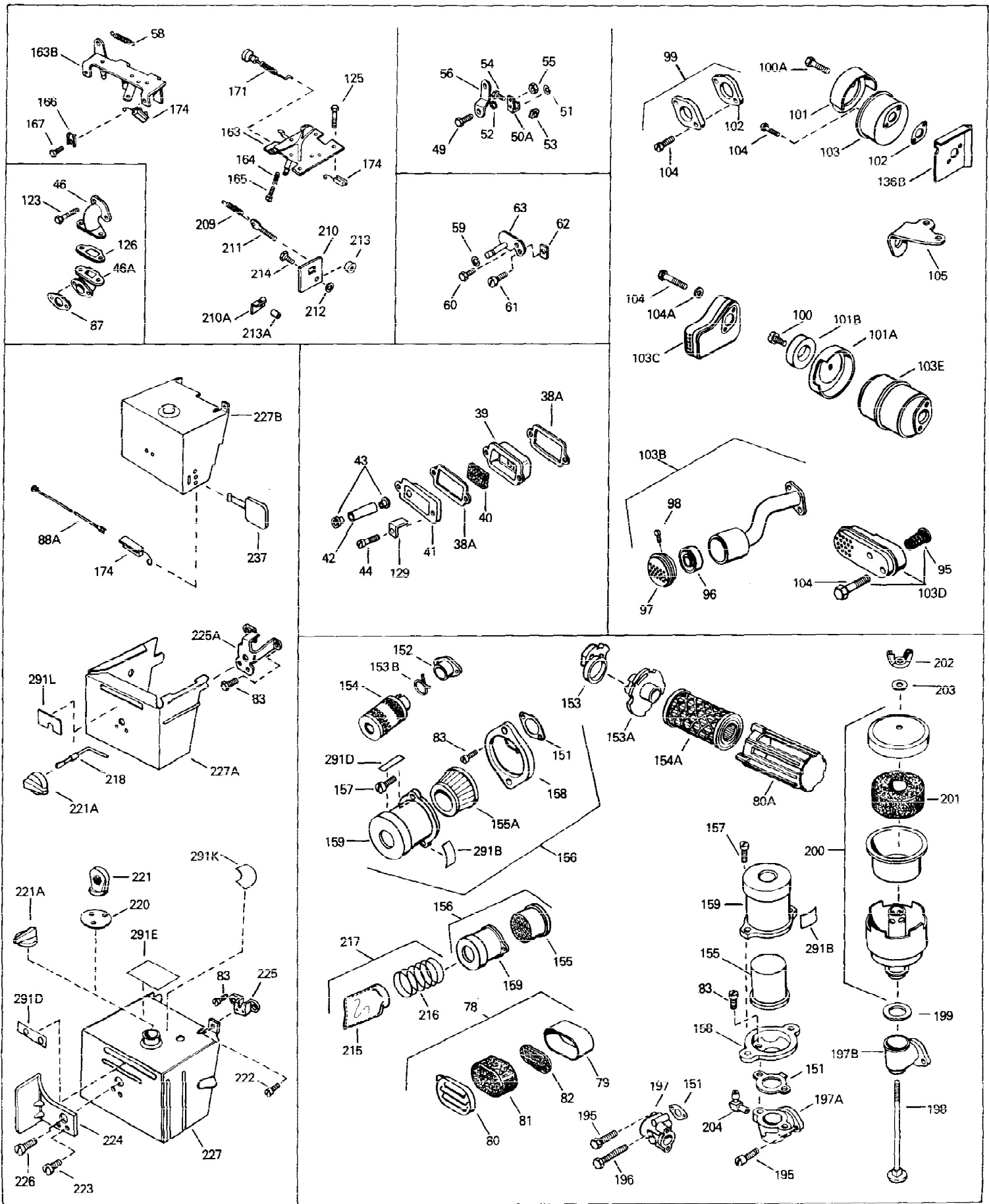


| Ref # | Part Number | Qty | Description |
|-------|-------------|-----|--|
| 1 | 34755A | 0 | Cylinder Assy. (2-1/2" Bore) |
| 2 | 26727 | 0 | Pin, Dowel |
| 3 | 27642 | 0 | Plug, Drain |
| 4 | 32600 | 0 | Seal, Oil |
| 5 | 29314B | 0 | Valve, Intake (Standard) (Conventional |
| 5 | 29315C | 0 | Valve, Exhaust (1/32" oversize) |
| 6 | 29313C | 0 | Valve, Exhaust (Standard) (Conventional |
| 6 | 29315C | 0 | Valve, Exhaust (1/32" oversize) |
| 7 | 31671 | 0 | Cap, Upper valve spring |
| 8 | 31672 | 0 | Spring, Valve |
| 9 | 31673 | 0 | Cap, Lower valve spring |
| 11 | 35132 | 0 | Crankshaft Assy. |
| 12 | 29783 | 0 | Pin, Crankshaft gear |
| 13 | 27613 | 0 | Gear, Crankshaft |
| 14 | 34514 | 0 | Piston, Pin & Ring Assy. (Std.) (2-1/2") |
| 14 | 34515 | 0 | Piston, Pin & Ring Assy. (.010 oversize) |
| 14 | 34516 | 0 | Piston, Pin & Ring Assy. (.020 oversize) |
| 14A | 32538B | 0 | Piston & Pin Assy. (Std.) (2-1/2") |
| 14A | 32548B | 0 | Piston & Pin Assy. (.010 oversize) |
| 14A | 32549B | 0 | Piston & Pin Assy. (.020 oversize) |
| 15 | 28986 | 0 | Ring Set, Piston (Std.) (2-1/2") |
| 15 | 28987 | 0 | Ring Set, Piston (.010 oversize) |
| 15 | 28988 | 0 | Ring Set, Piston (.020 oversize) |
| 16 | 20381 | 0 | Ring, Piston pin retaining |
| 17 | 32875 | 0 | Rod Assy., Connecting |
| 18A | 32610A | 0 | Bolt, Connecting rod |
| 18 | 26706 | 0 | Bolt, Connecting rod |
| 19 | 32654 | 0 | Dipper, Oil |
| 20 | 27573 | 0 | Nut, Connecting rod bolt |
| 21 | 33149A | 0 | Camshaft (Compression Release) |
| 22 | 27241 | 0 | Lifter, Valve |
| 23 | 30756B | 0 | Cover, Cylinder |
| 24 | 26208 | 0 | Seal, Oil |
| 24 | 27897 | 0 | Seal, Oil |
| 24 | 28540 | 0 | Seal, Oil |
| 24 | 30256 | 0 | Seal, Oil |
| 24 | 31333 | 0 | Seal, Oil |
| 25 | 27625 | 0 | Plug, Oil filler |
| 26 | 29673 | 0 | Gasket, Filler plug |
| 27 | 27677 | 0 | Gasket, Cylinder cover |
| 28 | 30564 | 0 | Screw |
| 28 | 650488 | 0 | Screw |
| 29 | 610961 | 0 | Key, Flywheel (Std. Pt. Ign.) |
| 30 | 650168 | 0 | Washer, Flat |
| 30 | 650675 | 0 | Washer, Flat |
| 30 | 650708 | 0 | Washer, Flat 5/16" |
| 31 | 650489 | 0 | Screw |
| 31 | 650516 | 0 | Screw |
| 32 | 29953B | 0 | Gasket, Cylinder head |
| 33 | 30579 | 0 | Head, Cylinder |
| 34 | 26073 | 0 | Washer, Connecting rod bolt |
| 35 | 6021A | 0 | Screw, Hex flange hd., 5/16-18 x 1-1/2 |
| 35 | 650628A | 0 | Screw, Hex hd. cap, 5/16-18 x 2-3/8 |
| 35 | 650694A | 0 | Screw, Hex flange hd., 5/16-18 x 2 |
| 35 | 650695A | 0 | Screw, Hex flange hd., 5/16-18 x 2-1/4 |

| Ref # | Part Number | Qty | Description |
|-------|-------------|-----|--|
| 35 | 650865 | 0 | Screw, Special Hex hd. tapped, 5/16-18 x 2 |
| 36 | 28212 | 0 | Spacer |
| 37 | 33636 | 0 | Plug, Spark (Champion J-8 or equivalent) |
| 37 | 34251 | 0 | Resistor Spark Plug |
| 38 | 31619 | 0 | Gasket, Breather cover |
| 39A | 31337 | 0 | Breather Assy. |
| 40 | 31410 | 0 | Element, Breather |
| 44 | 650128 | 0 | Screw |
| 45 | 26754 | 0 | Gasket, Exhaust |
| 46B | 28416A | 0 | Pipe, Intake |
| 48 | 30646 | 0 | Screw, Phil. fil. hd. Sems, 1/4-20 x 1-3/8 |
| 48 | 650451 | 0 | Screw |
| 48 | 650664 | 0 | Screw, Phil. fil. hd. Sems, 1/4-20 x 1-19/32 |
| 48 | 650840 | 0 | Screw, Fil. hd. Sems, 1/4-20 x 1-7/32 |
| 49 | 650548 | 0 | Screw, Hex washer hd., 8-32 x 5/16 |
| 50 | 31335 | 0 | Clamp, Governor lever |
| 56 | 31510 | 0 | Lever, Governor |
| 57 | 31858 | 0 | Link, Throttle |
| 58 | 31426 | 0 | Spring, Extension |
| 59 | 28277 | 0 | Washer, Flat |
| 63A | 31334 | 0 | Rod, Governor |
| 64A | 33341 | 0 | Extension, Baffle |
| 64 | 33342 | 0 | Baffle, Blower housing |
| 65 | 650561 | 0 | Screw |
| 66 | 650168 | 0 | Washer, Flat |
| 67 | 650701 | 0 | Screw, Hex washer hd. shakeproof, |
| 68 | 610118 | 0 | Cover, Spark plug |
| 69 | 29212 | 0 | Screw |
| 70 | 33663C | 0 | Housing, Blower (5.56 dia. starter mtg. bolt |
| 74 | 16645 | 0 | Lockwasher |
| 75 | 30747 | 0 | Clip, Shorting |
| 76 | 30981 | 0 | Bushing, Crankshaft |
| 77 | 30980 | 0 | Bushing, Crankshaft |
| 86 | 6201 | 0 | Screw |
| 87 | 26756 | 0 | Gasket, Carburetor |
| 89 | 29752 | 0 | Nut |
| 90 | 33876 | 0 | Gasket, Stator |
| 93 | 27675 | 0 | Nut, Conduit |
| 94 | 30617 | 0 | Elbow, Exhaust (45ø) |
| 103A | 30911 | 0 | Muffler |
| 106 | 30574 | 0 | Shaft, Mechanical governor |
| 107 | 30591 | 0 | Gear Assy., Governor |
| 108 | 29193 | 0 | Ring, Retaining |
| 109 | 30588A | 0 | Spool, Governor |
| 110 | 30590A | 0 | Washer, Flat |
| 111A | 28371B | 0 | Bracket, Upper fuel tank |
| 113 | 650561 | 0 | Screw |
| 114 | 34971 | 0 | Tank Assy., Fuel (Black Poly) (2 qt.) |
| 115 | 33032 | 0 | Cap, Fuel filler (Red Plastic) (Spurt |
| 115 | 34118 | 0 | Cap, Fuel filler (Red Plastic) (Spurt |
| 115 | 34210 | 0 | Cap, Fuel filler (Red Plastic) (Spurt |
| 115 | 410144B | 0 | Cap, Fuel filler (White Plastic) (Std.) |
| 116 | 650665 | 0 | Screw |
| 120 | 650128 | 0 | Screw |
| 121 | 29745 | 0 | Extension, Blower housing |

| Ref # | Part Number | Qty | Description |
|-------|-------------|-----|---------------------------------|
| 127 | 34212 | 0 | Bracket, Holddown |
| 128 | 30200 | 0 | Screw |
| 131 | 29443 | 0 | Clip, Fuel line |
| 161 | 30322 | 0 | Nut & Lockwasher |
| 162 | 30200 | 0 | Screw |
| 162 | 650139 | 0 | Screw |
| 162 | 650152 | 0 | Screw |
| 163A | 33879A | 0 | Bracket Assy., Speed control |
| 164 | 31342 | 0 | Spring, Compression |
| 165 | 650549 | 0 | Screw |
| 167 | 28942 | 0 | Screw |
| 174 | 610973 | 0 | Terminal Assy. |
| 182 | 0 | 0 | Rivet, Pop |
| 182 | 29752 | 0 | Nut |
| 231 | 650815 | 0 | Washer, Belleville |
| 232 | 650816 | 0 | Nut, Flywheel |
| 233 | 34694 | 0 | Cup, Starter |
| 234 | 33668 | 0 | Screen, Starter |
| 291 | 34346 | 0 | Decal, Instruction |
| 291A | 550223 | 0 | Decal, Name |
| 292 | 30547A | 0 | Contact Assy., Breaker |
| 293 | 30548A | 0 | Condenser |
| 296 | 631021 | 0 | Inlet Needle, Seat & Clip Assy. |
| 297A | 631921 | 0 | Carburetor |
| 298 | 611025 | 0 | Magneto, Tecumseh |
| 299 | 590420 | 0 | Starter, Rewind |
| 300 | 33233 | 0 | Gasket Set |



| Ref # | Part Number | Qty | Description |
|-------|-------------|-----|------------------------------------|
| 40 | 31410 | 0 | Element, Breather |
| 44 | 650128 | 0 | Screw |
| 49 | 650548 | 0 | Screw, Hex washer hd., 8-32 x 5/16 |
| 56 | 31510 | 0 | Lever, Governor |
| 58 | 31426 | 0 | Spring, Extension |
| 59 | 28277 | 0 | Washer, Flat |
| 78 | 31545 | 0 | Cleaner Assy., Air |
| 83 | 28820 | 0 | Screw |
| 87 | 26756 | 0 | Gasket, Carburetor |
| 99 | 730162 | 0 | Kit, Muffler Adapter |
| 102 | 26754 | 0 | Gasket, Exhaust |
| 105 | 33127 | 0 | Bracket, Muffler |
| 151 | 27272 | 0 | Gasket, Air cleaner |
| 155A | 30727 | 0 | Element, Air cleaner |
| 156 | 730127 | 0 | Cleaner Assy., Air (Poly) |
| 156 | 730164 | 0 | Cleaner Assy., Air (Paper) |
| 157 | 650152 | 0 | Screw |
| 158 | 31691 | 0 | Bracket, Air cleaner |
| 159 | 31715 | 0 | Body, Air cleaner |
| 164 | 31342 | 0 | Spring, Compression |
| 165 | 650549 | 0 | Screw |
| 166 | 27793 | 0 | Clip, Conduit |
| 167 | 28942 | 0 | Screw |
| 174 | 610973 | 0 | Terminal Assy. |
| 215 | 31668 | 0 | Bag, Pre-cleaner |
| 216 | 31667 | 0 | Spring, Pre-cleaner bag |
| 217 | 730512 | 0 | Kit, Pre-cleaner |
| 291B | 31752 | 0 | Decal, Air cleaner |



| Ref # | Part Number | Qty | Description |
|-------|-------------|-----|--|
| 30 | 650168 | 0 | Washer, Flat |
| 30 | 650675 | 0 | Washer, Flat |
| 30 | 650708 | 0 | Washer, Flat 5/16" |
| 35 | 6021A | 0 | Screw, Hex flange hd., 5/16-18 x 1-1/2 |
| 35 | 650628A | 0 | Screw, Hex hd. cap, 5/16-18 x 2-3/8 |
| 35 | 650694A | 0 | Screw, Hex flange hd., 5/16-18 x 2 |
| 35 | 650695A | 0 | Screw, Hex flange hd., 5/16-18 x 2-1/4 |
| 35 | 650865 | 0 | Screw, Special Hex hd. tapped, 5/16-18 x 2 |
| 112B | 34182 | 0 | Bracket, Lower fuel tank mounting |
| 113 | 650561 | 0 | Screw |
| 117 | 26460 | 0 | Clamp, Fuel line |
| 118 | 29774 | 0 | Line, Fuel (Braided 8.25") |
| 118 | 30705 | 0 | Line, Fuel (Braided 16") |
| 118 | 30962 | 0 | Line, Fuel (Braided 32") |
| 118 | 34682 | 0 | Line, Fuel (Epichlorohydrin 14.5") |
| 122 | 650116 | 0 | Nut, Lock |
| 136A | 33344 | 0 | Baffle, Heat |
| 178 | 30200 | 0 | Screw |
| 179 | 28539 | 0 | Ring, Retaining (All ball bearing models) |
| 180 | 28537 | 0 | Washer, Flat |
| 181 | 28458 | 0 | Bearing, Ball All ball bearing models except |
| 299B | 33290B | 0 | Starter Motor (120 volt) |
| 299B | 33517B | 0 | Starter Motor (120 volt) |