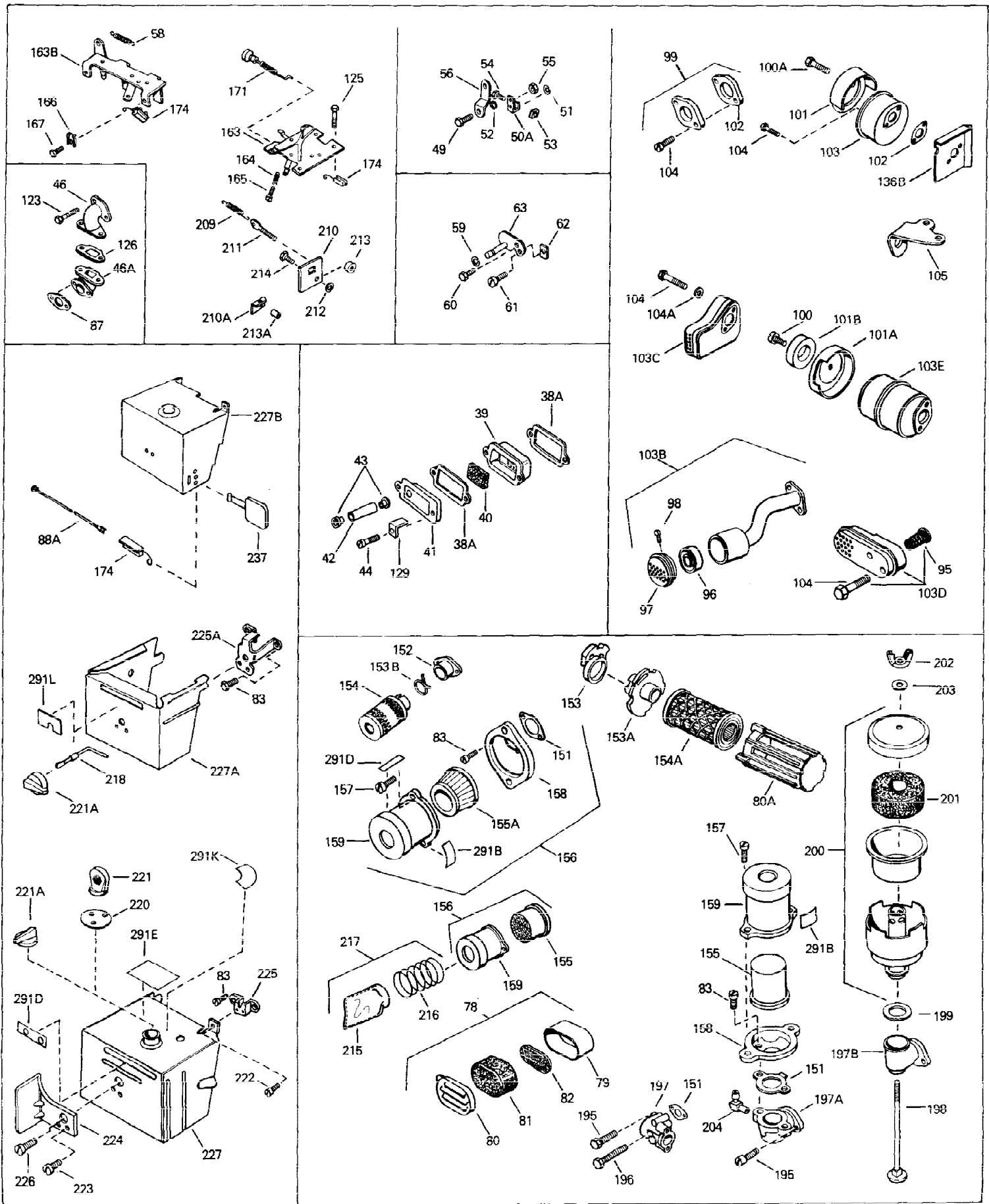


| Ref # | Part Number | Qty | Description                              |
|-------|-------------|-----|--|
| 1     | 33077       | 0   | Cylinder Assy. (2-1/2" Bore)             |
| 2     | 26727       | 0   | Pin, Dowel                               |
| 3     | 27642       | 0   | Plug, Drain                              |
| 4     | 29183       | 0   | Seal, Oil                                |
| 5     | 29314B      | 0   | Valve, Intake (Standard) (Conventional   |
| 5     | 29315C      | 0   | Valve, Exhaust (1/32" oversize)          |
| 6     | 29313C      | 0   | Valve, Exhaust (Standard) (Conventional  |
| 6     | 29315C      | 0   | Valve, Exhaust (1/32" oversize)          |
| 7     | 31671       | 0   | Cap, Upper valve spring                  |
| 8     | 31672       | 0   | Spring, Valve                            |
| 9     | 31673       | 0   | Cap, Lower valve spring                  |
| 11    | 32555B      | 0   | Crankshaft Assy.                         |
| 12    | 29783       | 0   | Pin, Crankshaft gear                     |
| 13    | 27613       | 0   | Gear, Crankshaft                         |
| 14A   | 32538B      | 0   | Piston & Pin Assy. (Std.) (2-1/2")       |
| 14A   | 32548B      | 0   | Piston & Pin Assy. (.010 oversize)       |
| 14A   | 32549B      | 0   | Piston & Pin Assy. (.020 oversize)       |
| 14    | 34514       | 0   | Piston, Pin & Ring Assy. (Std.) (2-1/2") |
| 14    | 34515       | 0   | Piston, Pin & Ring Assy. (.010 oversize) |
| 14    | 34516       | 0   | Piston, Pin & Ring Assy. (.020 oversize) |
| 15    | 28986       | 0   | Ring Set, Piston (Std.) (2-1/2")         |
| 15    | 28987       | 0   | Ring Set, Piston (.010 oversize)         |
| 15    | 28988       | 0   | Ring Set, Piston (.020 oversize)         |
| 16    | 20381       | 0   | Ring, Piston pin retaining               |
| 17    | 30963B      | 0   | Rod Assy., Connecting                    |
| 18A   | 32610A      | 0   | Bolt, Connecting rod                     |
| 18    | 26706       | 0   | Bolt, Connecting rod                     |
| 19    | 28594       | 0   | Dipper, Oil                              |
| 20    | 27573       | 0   | Nut, Connecting rod bolt                 |
| 21    | 33149A      | 0   | Camshaft (Compression Release)           |
| 22    | 27241       | 0   | Lifter, Valve                            |
| 23    | 30941D      | 0   | Cover, Cylinder                          |
| 24    | 26208       | 0   | Seal, Oil                                |
| 24    | 27897       | 0   | Seal, Oil                                |
| 24    | 28540       | 0   | Seal, Oil                                |
| 24    | 30256       | 0   | Seal, Oil                                |
| 24    | 31333       | 0   | Seal, Oil                                |
| 25    | 27625       | 0   | Plug, Oil filler                         |
| 26    | 29673       | 0   | Gasket, Filler plug                      |
| 27    | 27677       | 0   | Gasket, Cylinder cover                   |
| 28    | 30564       | 0   | Screw                                    |
| 28    | 650488      | 0   | Screw                                    |
| 29    | 610961      | 0   | Key, Flywheel (Std. Pt. Ign.)            |
| 30    | 650168      | 0   | Washer, Flat                             |
| 30    | 650675      | 0   | Washer, Flat                             |
| 30    | 650708      | 0   | Washer, Flat 5/16"                       |
| 31    | 650489      | 0   | Screw                                    |
| 31    | 650516      | 0   | Screw                                    |
| 32    | 29953B      | 0   | Gasket, Cylinder head                    |
| 33    | 30579       | 0   | Head, Cylinder                           |
| 34    | 26073       | 0   | Washer, Connecting rod bolt              |
| 35    | 6021A       | 0   | Screw, Hex flange hd., 5/16-18 x 1-1/2   |
| 35    | 650628A     | 0   | Screw, Hex hd. cap, 5/16-18 x 2-3/8      |
| 35    | 650694A     | 0   | Screw, Hex flange hd., 5/16-18 x 2       |
| 35    | 650695A     | 0   | Screw, Hex flange hd., 5/16-18 x 2-1/4   |

| Ref # | Part Number | Qty | Description                                  |
|-------|-------------|-----|--|
| 35    | 650865      | 0   | Screw, Special Hex hd. tapped, 5/16-18 x 2   |
| 36    | 28212       | 0   | Spacer                                       |
| 37    | 33636       | 0   | Plug, Spark (Champion J-8 or equivalent)     |
| 37    | 34251       | 0   | Resistor Spark Plug                          |
| 38    | 31619       | 0   | Gasket, Breather cover                       |
| 39A   | 31337       | 0   | Breather Assy.                               |
| 40    | 31410       | 0   | Element, Breather                            |
| 44    | 650128      | 0   | Screw  |
| 45    | 26754       | 0   | Gasket, Exhaust                              |
| 46B   | 28416A      | 0   | Pipe, Intake                                 |
| 48    | 30646       | 0   | Screw, Phil. fil. hd. Sems, 1/4-20 x 1-3/8   |
| 48    | 650451      | 0   | Screw  |
| 48    | 650664      | 0   | Screw, Phil. fil. hd. Sems, 1/4-20 x 1-19/32 |
| 48    | 650840      | 0   | Screw, Fil. hd. Sems, 1/4-20 x 1-7/32        |
| 49    | 650548      | 0   | Screw, Hex washer hd., 8-32 x 5/16           |
| 56    | 31510       | 0   | Lever, Governor                              |
| 57    | 31858       | 0   | Link, Throttle                               |
| 58    | 31426       | 0   | Spring, Extension                            |
| 59    | 28277       | 0   | Washer, Flat                                 |
| 63A   | 31334       | 0   | Rod, Governor                                |
| 64    | 33342       | 0   | Baffle, Blower housing                       |
| 64A   | 33341       | 0   | Extension, Baffle                            |
| 65    | 650561      | 0   | Screw  |
| 66    | 650168      | 0   | Washer, Flat                                 |
| 67    | 650701      | 0   | Screw, Hex washer hd. shakeproof,            |
| 68    | 27276       | 0   | Cover, Spark plug                            |
| 68    | 610118      | 0   | Cover, Spark plug                            |
| 69    | 29212       | 0   | Screw  |
| 70    | 33663C      | 0   | Housing, Blower (5.56 dia. starter mtg. bolt |
| 74    | 16645       | 0   | Lockwasher                                   |
| 75    | 30747       | 0   | Clip, Shorting                               |
| 76    | 30981       | 0   | Bushing, Crankshaft                          |
| 77    | 30980       | 0   | Bushing, Crankshaft                          |
| 86    | 6201        | 0   | Screw  |
| 87    | 26756       | 0   | Gasket, Carburetor                           |
| 88    | 28468       | 0   | Wire, Ground (Female fitting both ends)      |
| 89    | 29752       | 0   | Nut  |
| 90    | 33876       | 0   | Gasket, Stator                               |
| 106   | 30574       | 0   | Shaft, Mechanical governor                   |
| 107   | 30591       | 0   | Gear Assy., Governor                         |
| 108   | 29193       | 0   | Ring, Retaining                              |
| 109   | 30588A      | 0   | Spool, Governor                              |
| 110   | 30590A      | 0   | Washer, Flat                                 |
| 111A  | 28371B      | 0   | Bracket, Upper fuel tank                     |
| 112   | 32762       | 0   | Bracket, Lower fuel tank                     |
| 113   | 650561      | 0   | Screw  |
| 114   | 34711       | 0   | Tank Assy., Fuel (2 qt.)                     |
| 115   | 33032       | 0   | Cap, Fuel filler (Red Plastic) (Spurt        |
| 115   | 34118       | 0   | Cap, Fuel filler (Red Plastic) (Spurt        |
| 115   | 34210       | 0   | Cap, Fuel filler (Red Plastic) (Spurt        |
| 115   | 410144B     | 0   | Cap, Fuel filler (White Plastic) (Std.)      |
| 116   | 650665      | 0   | Screw  |
| 120   | 650128      | 0   | Screw  |
| 121   | 29745       | 0   | Extension, Blower housing                    |
| 131   | 29443       | 0   | Clip, Fuel line                              |

| Ref # | Part Number | Qty | Description                     |
|-------|-------------|-----|---------------------------------|
| 133   | 33356       | 0   | Terminal, Ground                |
| 134   | 650643      | 0   | Screw                           |
| 135   | 28545       | 0   | Grommet, Plastic                |
| 161   | 30322       | 0   | Nut & Lockwasher                |
| 162   | 30200       | 0   | Screw                           |
| 162   | 650139      | 0   | Screw                           |
| 162   | 650152      | 0   | Screw                           |
| 163A  | 730136A     | 0   | Control Assy., Mini Bike Speed  |
| 164   | 31342       | 0   | Spring, Compression             |
| 165   | 650549      | 0   | Screw                           |
| 167   | 28942       | 0   | Screw                           |
| 170A  | 28942       | 0   | Screw                           |
| 170   | 33857       | 0   | Spring, Extension               |
| 174   | 610973      | 0   | Terminal Assy.                  |
| 182   | 0           | 0   | Rivet, Pop                      |
| 182   | 29752       | 0   | Nut                             |
| 231   | 650815      | 0   | Washer, Belleville              |
| 232   | 650607      | 0   | Nut, Flywheel                   |
| 233   | 33667       | 0   | Cup, Starter                    |
| 234   | 33668       | 0   | Screen, Starter                 |
| 291   | 34346       | 0   | Decal, Instruction              |
| 291A  | 550223      | 0   | Decal, Name                     |
| 292   | 30547A      | 0   | Contact Assy., Breaker          |
| 293   | 30548A      | 0   | Condenser                       |
| 296   | 631021      | 0   | Inlet Needle, Seat & Clip Assy. |
| 297A  | 631070A     | 0   | Carburetor                      |
| 298   | 610940A     | 0   | Magneto, Tecumseh               |
| 299   | 590420      | 0   | Starter, Rewind                 |
| 300   | 33233       | 0   | Gasket Set                      |



| Ref # | Part Number | Qty | Description                        |
|-------|-------------|-----|------------------------------------|
| 40    | 31410       | 0   | Element, Breather                  |
| 44    | 650128      | 0   | Screw                              |
| 49    | 650548      | 0   | Screw, Hex washer hd., 8-32 x 5/16 |
| 50A   | 29916       | 0   | Clamp, Governor lever              |
| 51    | 29642       | 0   | Ring, Retaining                    |
| 52    | 29918       | 0   | Lockwasher                         |
| 53    | 29216       | 0   | Nut                                |
| 54    | 29826       | 0   | Screw                              |
| 55    | 30322       | 0   | Nut & Lockwasher                   |
| 56    | 31510       | 0   | Lever, Governor                    |
| 58    | 31426       | 0   | Spring, Extension                  |
| 59    | 28277       | 0   | Washer, Flat                       |
| 78    | 31545       | 0   | Cleaner Assy., Air                 |
| 83    | 28820       | 0   | Screw                              |
| 87    | 26756       | 0   | Gasket, Carburetor                 |
| 96    | 33171       | 0   | Screen, Muffler                    |
| 97    | 33172       | 0   | Cover, Muffler                     |
| 98    | 650578      | 0   | Screw                              |
| 99    | 730162      | 0   | Kit, Muffler Adapter               |
| 102   | 26754       | 0   | Gasket, Exhaust                    |
| 102   | 33170       | 0   | Gasket, Exhaust                    |
| 103B  | 33126A      | 0   | Muffler                            |
| 104   | 650561      | 0   | Screw                              |
| 105   | 33127       | 0   | Bracket, Muffler                   |
| 151   | 27272       | 0   | Gasket, Air cleaner                |
| 155A  | 30727       | 0   | Element, Air cleaner               |
| 156   | 730127      | 0   | Cleaner Assy., Air (Poly)          |
| 156   | 730164      | 0   | Cleaner Assy., Air (Paper)         |
| 157   | 650152      | 0   | Screw                              |
| 158   | 31691       | 0   | Bracket, Air cleaner               |
| 159   | 31715       | 0   | Body, Air cleaner                  |
| 164   | 31342       | 0   | Spring, Compression                |
| 165   | 650549      | 0   | Screw                              |
| 166   | 27793       | 0   | Clip, Conduit                      |
| 167   | 28942       | 0   | Screw                              |
| 174   | 610973      | 0   | Terminal Assy.                     |
| 215   | 31668       | 0   | Bag, Pre-cleaner                   |
| 216   | 31667       | 0   | Spring, Pre-cleaner bag            |
| 217   | 730512      | 0   | Kit, Pre-cleaner                   |
| 291B  | 31752       | 0   | Decal, Air cleaner                 |



| Ref # | Part Number | Qty | Description                                |
|-------|-------------|-----|--|
| 30    | 650168      | 0   | Washer, Flat                               |
| 30    | 650675      | 0   | Washer, Flat                               |
| 30    | 650708      | 0   | Washer, Flat 5/16"                         |
| 35    | 6021A       | 0   | Screw, Hex flange hd., 5/16-18 x 1-1/2     |
| 35    | 650628A     | 0   | Screw, Hex hd. cap, 5/16-18 x 2-3/8        |
| 35    | 650694A     | 0   | Screw, Hex flange hd., 5/16-18 x 2         |
| 35    | 650695A     | 0   | Screw, Hex flange hd., 5/16-18 x 2-1/4     |
| 35    | 650865      | 0   | Screw, Special Hex hd. tapped, 5/16-18 x 2 |
| 113   | 650561      | 0   | Screw                                      |
| 117   | 26460       | 0   | Clamp, Fuel line                           |
| 118   | 29774       | 0   | Line, Fuel (Braided 8.25")                 |
| 118   | 30705       | 0   | Line, Fuel (Braided 16")                   |
| 118   | 30962       | 0   | Line, Fuel (Braided 32")                   |
| 118   | 34682       | 0   | Line, Fuel (Epichlorohydrin 14.5")         |
| 119   | 28819       | 0   | Spring, Fuel line                          |
| 122   | 650116      | 0   | Nut, Lock                                  |
| 299B  | 33290B      | 0   | Starter Motor (120 volt)                   |
| 299B  | 33517B      | 0   | Starter Motor (120 volt)                   |