



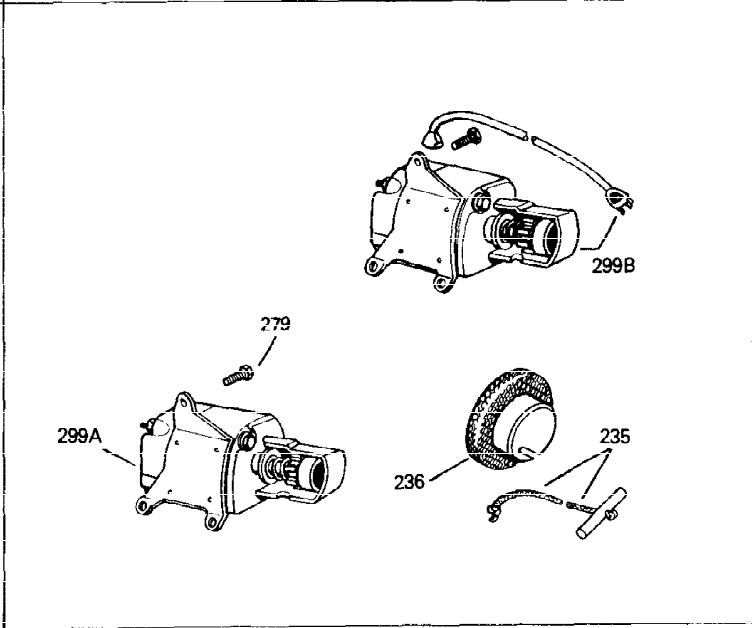
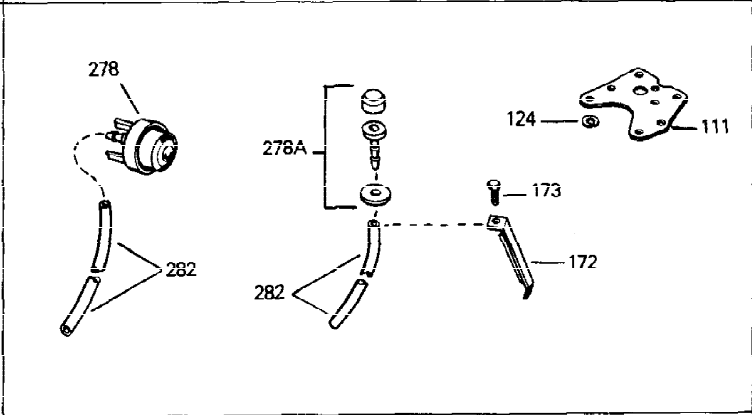
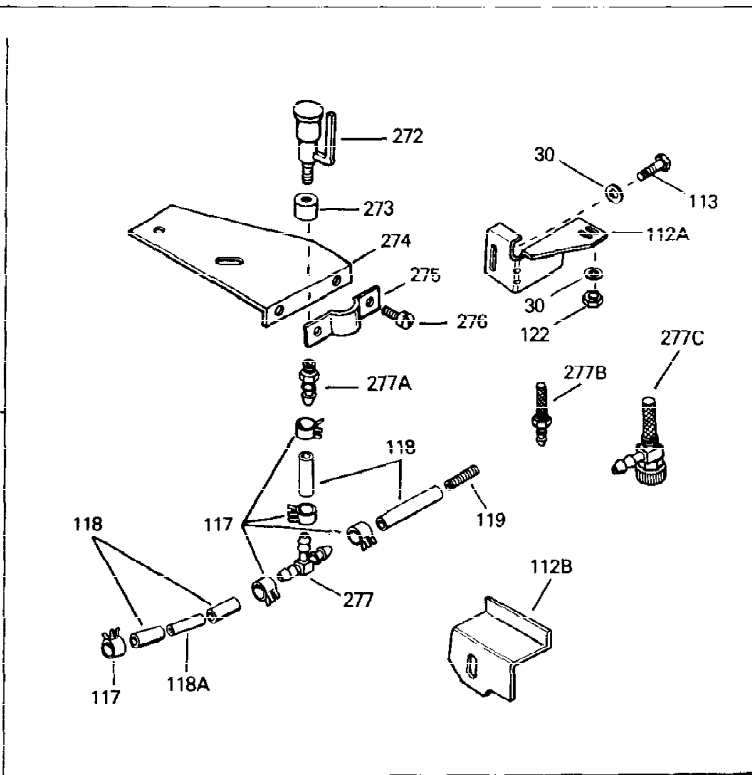
Ref #	Part Number	Qty	Description
1	33164A	0	Cylinder Assy. (2-1/2" Bore)
2	26727	0	Pin, Dowel
3	27642	0	Plug, Drain
4	29183	0	Seal, Oil
5	29314B	0	Valve, Intake (Standard) (Conventional
5	29315C	0	Valve, Exhaust (1/32" oversize)
6	29313C	0	Valve, Exhaust (Standard) (Conventional
6	29315C	0	Valve, Exhaust (1/32" oversize)
7	31671	0	Cap, Upper valve spring
8	31672	0	Spring, Valve
9	31673	0	Cap, Lower valve spring
11	32555B	0	Crankshaft Assy.
12	29783	0	Pin, Crankshaft gear
13	27613	0	Gear, Crankshaft
14A	32538B	0	Piston & Pin Assy. (Std.) (2-1/2")
14A	32548B	0	Piston & Pin Assy. (.010 oversize)
14A	32549B	0	Piston & Pin Assy. (.020 oversize)
14	34514	0	Piston, Pin & Ring Assy. (Std.) (2-1/2")
14	34515	0	Piston, Pin & Ring Assy. (.010 oversize)
14	34516	0	Piston, Pin & Ring Assy. (.020 oversize)
15	28986	0	Ring Set, Piston (Std.) (2-1/2")
15	28987	0	Ring Set, Piston (.010 oversize)
15	28988	0	Ring Set, Piston (.020 oversize)
16	20381	0	Ring, Piston pin retaining
17	30963B	0	Rod Assy., Connecting
18A	32610A	0	Bolt, Connecting rod
18	26706	0	Bolt, Connecting rod
19	28594	0	Dipper, Oil
20	27573	0	Nut, Connecting rod bolt
21	33149A	0	Camshaft (Compression Release)
22	27241	0	Lifter, Valve
23	30941D	0	Cover, Cylinder
24	26208	0	Seal, Oil
24	27897	0	Seal, Oil
24	28540	0	Seal, Oil
24	30256	0	Seal, Oil
24	31333	0	Seal, Oil
25	27625	0	Plug, Oil filler
26	29673	0	Gasket, Filler plug
27	27677	0	Gasket, Cylinder cover
28	30564	0	Screw
28	650488	0	Screw
29	610961	0	Key, Flywheel (Std. Pt. Ign.)
30	650168	0	Washer, Flat
30	650675	0	Washer, Flat
30	650708	0	Washer, Flat 5/16"
31	650489	0	Screw
31	650516	0	Screw
32	29953B	0	Gasket, Cylinder head
33	30579	0	Head, Cylinder
34	26073	0	Washer, Connecting rod bolt
35	6021A	0	Screw, Hex flange hd., 5/16-18 x 1-1/2
35	650628A	0	Screw, Hex hd. cap, 5/16-18 x 2-3/8
35	650694A	0	Screw, Hex flange hd., 5/16-18 x 2
35	650695A	0	Screw, Hex flange hd., 5/16-18 x 2-1/4

Ref #	Part Number	Qty	Description
35	650865	0	Screw, Special Hex hd. tapped, 5/16-18 x 2
36	28212	0	Spacer
37	33636	0	Plug, Spark (Champion J-8 or equivalent)
37	34251	0	Resistor Spark Plug
38	31619	0	Gasket, Breather cover
39A	31337	0	Breather Assy.
40	31410	0	Element, Breather
44	650128	0	Screw
45	26754	0	Gasket, Exhaust
46B	28416A	0	Pipe, Intake
48	30646	0	Screw, Phil. fil. hd. Sems, 1/4-20 x 1-3/8
48	650451	0	Screw
48	650664	0	Screw, Phil. fil. hd. Sems, 1/4-20 x 1-19/32
48	650840	0	Screw, Fil. hd. Sems, 1/4-20 x 1-7/32
49	650548	0	Screw, Hex washer hd., 8-32 x 5/16
50	31335	0	Clamp, Governor lever
56	31510	0	Lever, Governor
57	31858	0	Link, Throttle
58	31426	0	Spring, Extension
59	28277	0	Washer, Flat
63A	31334	0	Rod, Governor
64A	33341	0	Extension, Baffle
64	33342	0	Baffle, Blower housing
65	650561	0	Screw
66	650168	0	Washer, Flat
67	650701	0	Screw, Hex washer hd. shakeproof,
68	610118	0	Cover, Spark plug
69	29212	0	Screw
70	33663C	0	Housing, Blower (5.56 dia. starter mtg. bolt
74	16645	0	Lockwasher
75	30747	0	Clip, Shorting
76	30981	0	Bushing, Crankshaft
77	30980	0	Bushing, Crankshaft
86	6201	0	Screw
87	26756	0	Gasket, Carburetor
89	29752	0	Nut
90	33876	0	Gasket, Stator
106	30574	0	Shaft, Mechanical governor
107	30591	0	Gear Assy., Governor
108	29193	0	Ring, Retaining
109	30588A	0	Spool, Governor
110	30590A	0	Washer, Flat
111A	28371B	0	Bracket, Upper fuel tank
112	32762	0	Bracket, Lower fuel tank
113	650561	0	Screw
114	34711	0	Tank Assy., Fuel (2 qt.)
115	33032	0	Cap, Fuel filler (Red Plastic) (Spurt
115	34118	0	Cap, Fuel filler (Red Plastic) (Spurt
115	34210	0	Cap, Fuel filler (Red Plastic) (Spurt
115	410144B	0	Cap, Fuel filler (White Plastic) (Std.)
116	650665	0	Screw
120	650128	0	Screw
121	29745	0	Extension, Blower housing
131	29443	0	Clip, Fuel line
160	32410	0	Knob, Speed control

Ref #	Part Number	Qty	Description
161	30322	0	Nut & Lockwasher
162	30200	0	Screw
162	650139	0	Screw
162	650152	0	Screw
163A	33858A	0	Bracket Assy., Speed control
164	31342	0	Spring, Compression
165	650549	0	Screw
174	610973	0	Terminal Assy.
182	0	0	Rivet, Pop
182	29752	0	Nut
231	650815	0	Washer, Belleville
232	650607	0	Nut, Flywheel
233	33667	0	Cup, Starter
234	33668	0	Screen, Starter
291	34346	0	Decal, Instruction
291C	33962	0	Decal, Control
291A	550223	0	Decal, Name
292	30547A	0	Contact Assy., Breaker
293	30548A	0	Condenser
296	631021	0	Inlet Needle, Seat & Clip Assy.
297A	631070A	0	Carburetor
298	610932	0	Magneto, Tecumseh
299	590420	0	Starter, Rewind
300	33233	0	Gasket Set



Ref #	Part Number	Qty	Description
40	31410	0	Element, Breather
44	650128	0	Screw
49	650548	0	Screw, Hex washer hd., 8-32 x 5/16
56	31510	0	Lever, Governor
58	31426	0	Spring, Extension
59	28277	0	Washer, Flat
78	31545	0	Cleaner Assy., Air
83	28820	0	Screw
87	26756	0	Gasket, Carburetor
99	730162	0	Kit, Muffler Adapter
102	26754	0	Gasket, Exhaust
102	30081	0	Gasket, Exhaust
103	30996	0	Muffler
104	650493	0	Screw, Hex hd. Sems, 1/4-20 x 1-3/4
105	33127	0	Bracket, Muffler
151	27272	0	Gasket, Air cleaner
155A	30727	0	Element, Air cleaner
156	730127	0	Cleaner Assy., Air (Poly)
156	730164	0	Cleaner Assy., Air (Paper)
157	650152	0	Screw
158	31691	0	Bracket, Air cleaner
159	31715	0	Body, Air cleaner
164	31342	0	Spring, Compression
165	650549	0	Screw
174	610973	0	Terminal Assy.
215	31668	0	Bag, Pre-cleaner
216	31667	0	Spring, Pre-cleaner bag
217	730512	0	Kit, Pre-cleaner
291B	31752	0	Decal, Air cleaner



Ref #	Part Number	Qty	Description
30	650168	0	Washer, Flat
30	650675	0	Washer, Flat
30	650708	0	Washer, Flat 5/16"
35	6021A	0	Screw, Hex flange hd., 5/16-18 x 1-1/2
35	650628A	0	Screw, Hex hd. cap, 5/16-18 x 2-3/8
35	650694A	0	Screw, Hex flange hd., 5/16-18 x 2
35	650695A	0	Screw, Hex flange hd., 5/16-18 x 2-1/4
35	650865	0	Screw, Special Hex hd. tapped, 5/16-18 x 2
113	650561	0	Screw
117	26460	0	Clamp, Fuel line
118	29774	0	Line, Fuel (Braided 8.25")
118	30705	0	Line, Fuel (Braided 16")
118	30962	0	Line, Fuel (Braided 32")
118	34682	0	Line, Fuel (Epichlorohydrin 14.5")
119	28819	0	Spring, Fuel line
122	650116	0	Nut, Lock
291C	33962	0	Decal, Control
299B	33290B	0	Starter Motor (120 volt)
299B	33517B	0	Starter Motor (120 volt)