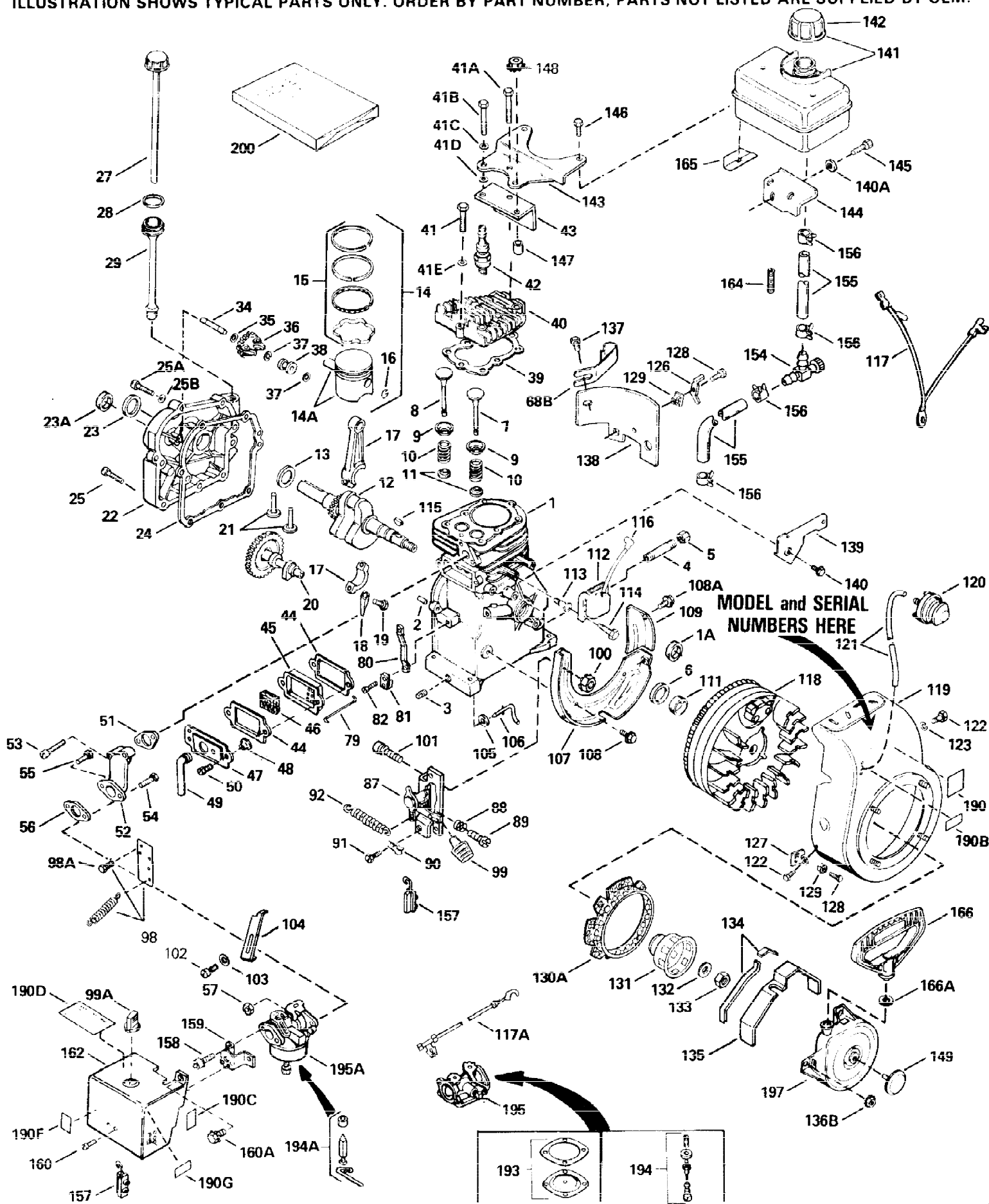


ILLUSTRATION SHOWS TYPICAL PARTS ONLY. ORDER BY PART NUMBER, PARTS NOT LISTED ARE SUPPLIED BY OEM.

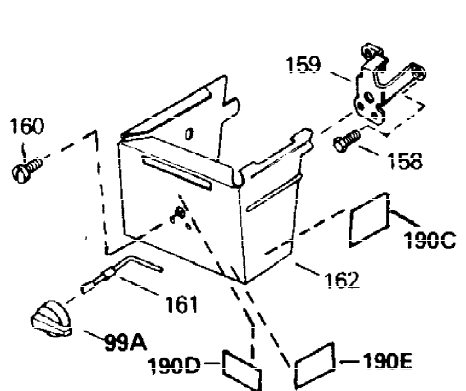
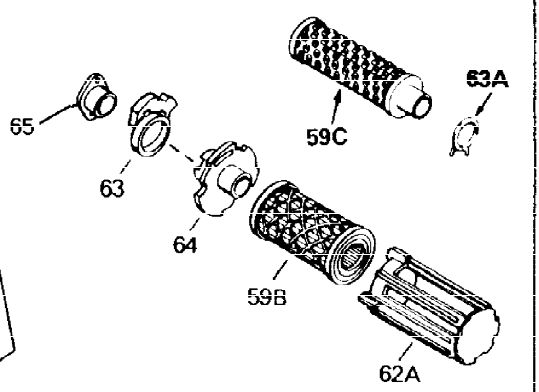
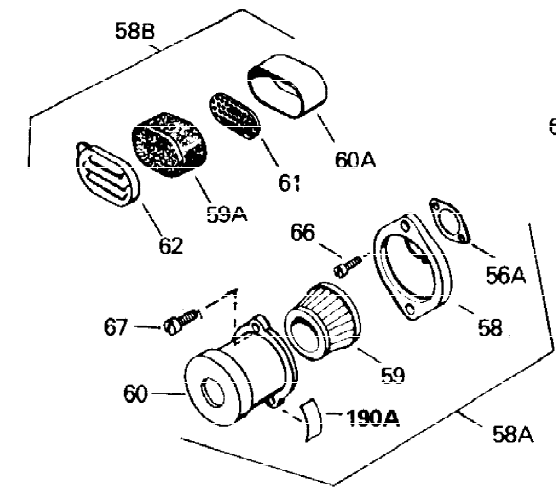
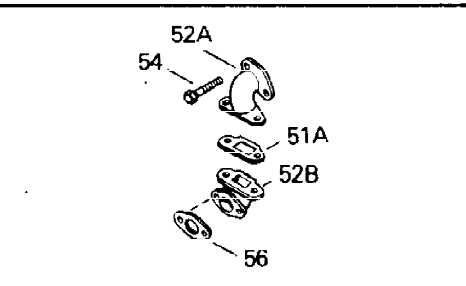
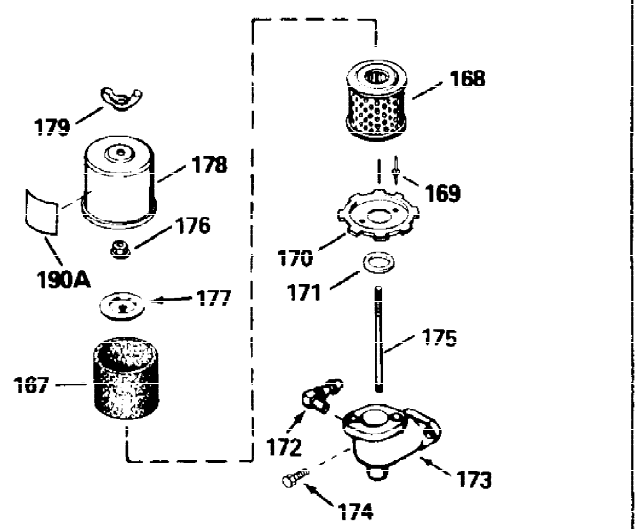
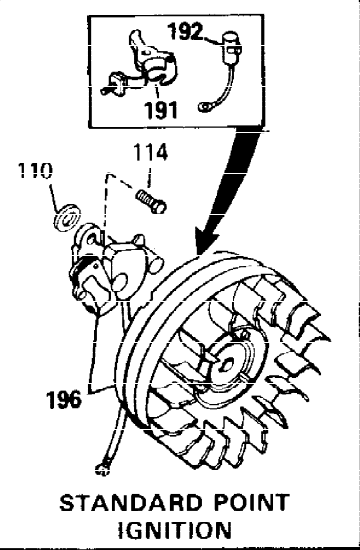
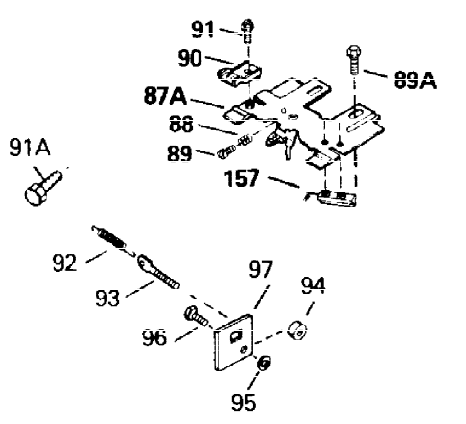
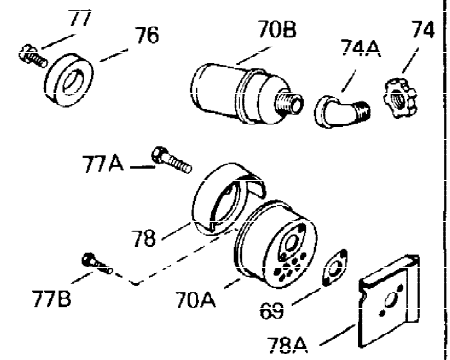
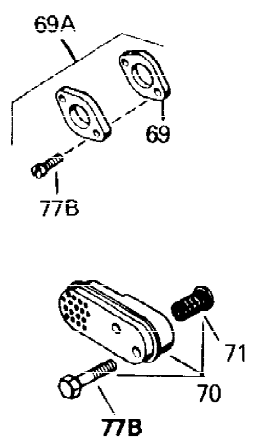
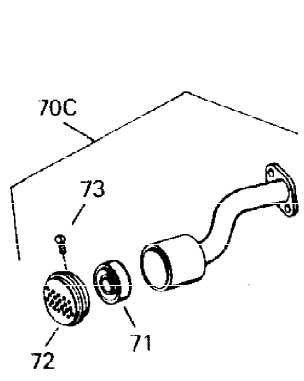
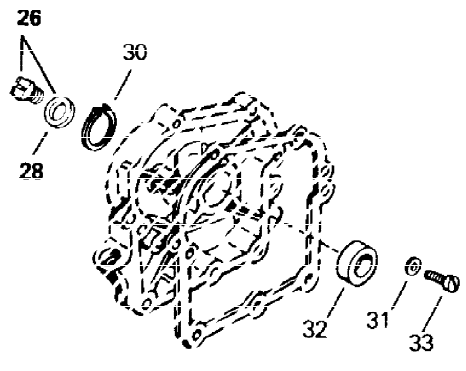
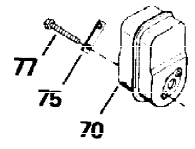
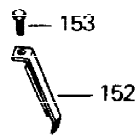
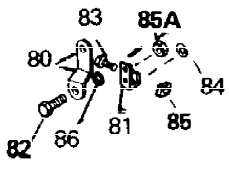


| Ref # | Part Number | Qty | Description                                  |
|-------|-------------|-----|--|
| 1     | 35115A      |     | Cylinder (Incl. 2, 3 & 6) (2-1/2" Bore)      |
| 2     | 26727       |     | Pin, Dowel                                   |
| 3     | 27642       |     | Pipe plug, 1/4-18                            |
| 6     | 32600       |     | Seal, Oil                                    |
| 7     | 29314B      |     | Intake Valve (Std.) (Incl. 11)               |
| 7     | 29315C      |     | Intake Valve (1/32" OS) (Incl. 11)           |
| 8     | 29313C      |     | Exhaust Valve (Std.) (Incl. 11)              |
| 8     | 29315C      |     | Exhaust Valve (1/32" OS) (Incl. 11)          |
| 9     | 31671       |     | Valve Spring Cap (Used in early production)  |
| 10    | 31672       |     | Spring, Valve                                |
| 11    | 31673       |     | Valve Spring Cap                             |
| 12    | 35116       |     | Crankshaft (Incl. 23)                        |
| 13    | 32323       |     | Washer, Thrust                               |
| 14A   | 32538B      |     | Piston & Pin Ass'y.(Std.)(2-1/2")(Incl.16)   |
| 14A   | 32548B      |     | Piston & Pin Ass'y. (.010" OS) (Incl. 16)    |
| 14A   | 32549B      |     | Piston & Pin Ass'y. (.020" OS) (Incl. 16)    |
| 14    | 34514       |     | Piston, Pin & Ring Set (Std.) (2-1/2" Bore)  |
| 14    | 34515       |     | Piston, Pin & Ring Set (.010" OS)            |
| 14    | 34516       |     | Piston, Pin & Ring Set (.020" OS)            |
| 15    | 28986       |     | Ring Set (Std.) (2-1/2" Bore)                |
| 15    | 28987       |     | Ring Set (.010" OS)                          |
| 15    | 28988       |     | Ring Set (.020" OS)                          |
| 16    | 20381       |     | Ring, Piston retaining                       |
| 17    | 32875       |     | Rod Assy., Connecting (Incl. 18 & 19)        |
| 18    | 32654       |     | Dipper, Oil                                  |
| 19    | 32610A      |     | Bolt, Connecting rod                         |
| 20    | 33149A      |     | Camshaft                                     |
| 21    | 27241       |     | Lifter, Valve                                |
| 22    | 30756B      |     | Cover, Cylinder (Incl. 23, 26, 28 & 34) (BB) |
| 23    | 28540       |     | Seal, Oil                                    |
| 24    | 27677A      |     | * Gasket, Cylinder cover                     |
| 25    | 650488      |     | Screw, 1/4-20 x 1-1/4"                       |
| 28    | 29673       |     | * Gasket, Oil fill plug                      |
| 34    | 30574       |     | Shaft, Mechanical governor                   |
| 35    | 35479       |     | Washer, Flat                                 |
| 36    | 30591       |     | Gear Assy., Governor (Incl. 35)              |
| 37    | 29193       |     | Ring, Retaining                              |
| 38    | 30588A      |     | Spool, Governor                              |
| 39    | 29953C      |     | * Gasket, Cylinder head                      |
| 40    | 30579A      |     | Head, Cylinder (Incl. 41A)                   |
| 41    | 650695A     |     | Screw, 5/16-18 x 2-1/4" (Use as required)    |
| 41    | 6021A       |     | Screw, 5/16-18 x 1-1/2" (Use as required)    |
| 41    | 650865      |     | Screw, 5/16-18 x 2" (Use as required)        |
| 41A   | 650694A     |     | Screw, 5/16-18 x 2" (Use as required)        |
| 42    | 34251       |     | Plug, Spark, Resistor (RJ17LM)               |
| 43    | 33344       |     | Baffle, Heat                                 |
| 44    | 27234A      |     | * Gasket, Valve spring cover (Two required)  |
| 45    | 27666       |     | Breather Body & valve assy.                  |
| 46    | 31410       |     | Element, Breather                            |
| 47    | 34146       |     | Cover, Valve spring                          |
| 48    | 32446       |     | Grommet, Breather tube                       |
| 49    | 32447       |     | Tube, Breather                               |
| 50    | 650128      |     | Screw, 10-24 x 1/2"                          |
| 51    | 26754A      |     | * Gasket, Intake to cylinder                 |
| 52    | 28416A      |     | Pipe, Intake (Incl. 54)                      |

| Ref # | Part Number | Qty | Description   |
|-------|-------------|-----|---|
| 53    | 650664      |     | Screw, 1/4-20 x 1-19/32"  |
| 54    | 650840      |     | Screw, 1/4-20 x 1-7/32"   |
| 55    | 6201        |     | Screw, 1/4-28 x 7/8"  |
| 56    | 26756       |     | * Gasket, Carburetor to intake  |
| 57    | 29752       |     | Nut & Lockwasher Assy., 1/4-28  |
| 79    | 31858       |     | Link, Throttle  |
| 80    | 31510       |     | Lever, Governor   |
| 81    | 31335       |     | Clamp, Governor lever   |
| 82    | 650548      |     | Screw, 8-32 x 5/16"   |
| 87    | 33879A      |     | Control Bracket (Incl. 88, 89, 100 & 101) NOTE: In original production the speed control assembly is riveted to the blower housing baffle (Ref. #107). Replacement speed control assembly includes screws (Ref. #101)and nuts (Ref. #100) for mounting.   |
| 88    | 31342       |     | Spring, Compression   |
| 89    | 650549      |     | Screw, 5-40 x 7/16"   |
| 90    | 27793       |     | Clip, Conduit   |
| 91    | 28942       |     | Screw, 10-32 x 3/8"   |
| 92    | 31426       |     | Spring, Extension   |
| 98    | 33857       |     | Spring Assy., Extension (Incl. 98A)   |
| 100   | 30322       |     | Locknut, 8-32 (Use as required)   |
| 101   | 650139      |     | Screw, 8-32 x 1/2" (Use as required)  |
| 101   | 650152      |     | Screw, 8-32 x 3/8" (Use as required)  |
| 101   | 30200       |     | Screw, 10-24 x 9/16" (Use as required )   |
| 102   | 28942       |     | Screw, 10-32 x 3/8"   |
| 103   | 27261       |     | Washer, Throttle  |
| 104   | 33966       |     | Bracket, Governor speed limit   |
| 105   | 28277       |     | Washer, Flat  |
| 106   | 31334       |     | Rod, Governor   |
| 107   | 33342       |     | Baffle, Blower housing  |
| 108A  | 650701      |     | Screw, 8-18 x 7/16"   |
| 108   | 650561      |     | Screw, 1/4-20 x 5/8"  |
| 109   | 33341       |     | Baffle, Extension   |
| 111   | 34080       |     | Spacer, Flywheel key  |
| 112   | 34443A      |     | Solid State Ass'y.  |
| 113   | 650872      |     | Stud, Solid State mounting  |
| 114   | 650814      |     | Screw, Torx T-15, 10-24 x 1"  |
| 115   | 610961      |     | Flywheel key  |
| 116   | 610118      |     | Cover, Spark plug (Use as required)   |
| 118   | 611080      |     | Flywheel  |
| 119   | 33663C      |     | Housing, Blower NOTE: In original production, the starter may be riveted to theblower housing. If the starter or blower housing needs replacement, the other may need holes used for pop rivetingenlarged to use standard mounting hardware. Order 4 nuts (#29752) required to mount starter to replaceme |
| 122   | 29212       |     | Screw, 1/4-28 x 7/16"   |
| 123   | 650168      |     | Washer  |
| 131   | 34694       |     | Cup, Starter  |
| 132   | 650815      |     | Washer, Belleville  |
| 133   | 650816      |     | Nut, Flywheel   |
| 136B  | 29752       |     | Nut & Lockwasher Assy., 1/4-28  |
| 137   | 650128      |     | Screw, 10-24 x 1/2"   |

| Ref # | Part Number | Qty | Description  |
|-------|-------------|-----|--|
| 138   | 29745       |     | Extension, Blower housing  |
| 139   | 34212       |     | Bracket, Hold down   |
| 140   | 30200       |     | Screw, 10-24 x 9/16"   |
| 141   | 34156A      |     | Fuel Tank (Incl. 142 & 156) NOTE: These tanks were built with different size fuel inlet openings. Tanks with the 1-3/16" I.D. opening use fuel cap 33032 or 34210. Tanks with the 1-1/2" I.D. opening use fuel cap 35355.  |
| 142   | 33032       |     | Cap, Fuel filler (Use as required)   |
| 142   | 410144B     |     | Cap, Fuel filler (Std.) (Use as required)  |
| 143   | 34183A      |     | Plate, Fuel tank mounting  |
| 144   | 34182       |     | Fuel Tank Bracket  |
| 145   | 650561      |     | Screw, 1/4-20 x 5/8"   |
| 146   | 650665      |     | Screw, 1/4-15 x 7/8"   |
| 147   | 28212       |     | Spacer, Tank bracket (Not used in all models)  |
| 150   | 650691      |     | Washer, Flat   |
| 154   | 32961       |     | Valve, Shut-off  |
| 155   | 29774       |     | Fuel Line (Braided, 8-1/4") (Use as required)  |
| 155   | 30705       |     | Fuel Line (Braided, 16") (Use as required)   |
| 156   | 26460       |     | Clamp, Fuel line (Use as required)   |
| 157   | 610973      |     | Terminal Ass'y. (Use as required)  |
| 190C  | 34346       |     | Decal, Instruction   |
| 190   | 34686       |     | Decal, Name  |
| 194A  | 631021      |     | Inlet Needle Seat & Clip Assy.   |
| 195A  | 631921      |     | Carburetor (Incl. 56) (Refer to Division 5, Section A, page 138 for breakdown)   |
| 197   | 590420      |     | Starter, Rewind In original production, the starter may be riveted to the blowerhousing. If the starter or blower housing needs replacement, the other may need holes used for pop riveting enlarged to use standard mounting hardware. Order 4 nuts (29752) required to mount starter to replacement blower |
| 200   | 33233A      |     | * Gasket Set (Incl. items marked *)  |

ILLUSTRATION SHOWS TYPICAL PARTS ONLY. ORDER BY PART NUMBER. PARTS NOT LISTED ARE SUPPLIED BY OEM.



| Ref # | Part Number | Qty | Description   |
|-------|-------------|-----|---|
| 1     | 35115A      |     | Cylinder (Incl. 2, 3 & 6) (2-1/2" Bore)   |
| 26    | 27625       |     | Plug, Oil fill (Incl. 28)   |
| 28    | 29673       |     | * Gasket, Oil fill plug   |
| 30    | 28539       |     | Ring, Retaining   |
| 31    | 28537       |     | Washer, Flat  |
| 32    | 28458       |     | Ball bearing  |
| 33    | 30200       |     | Screw, 10-24 x 9/16"  |
| 54    | 650840      |     | Screw, 1/4-20 x 1-7/32"   |
| 56A   | 27272A      |     | * Gasket, Carburetor to air cleaner   |
| 56    | 26756       |     | * Gasket, Carburetor to intake  |
| 58    | 31708       |     | Bracket, Air cleaner  |
| 58A   | 730127      |     | Air Cleaner Ass'y. (Incl. 56A, 58, 59, 60, 66, 67 & 170) (Use as required)                |
| 58A   | 730164      |     | Air Cleaner Ass'y. (Incl. 56A, 58, 59, 60, 66, 67 & 170A) (Use as required)               |
| 58B   | 31545       |     | Air Cleaner Ass'y. (Incl. 56A, 59A, 60A, 61 & 62) (Use as required)                       |
| 59    | 31700       |     | Element, Air cleaner  |
| 66    | 28820       |     | Screw, 10-32 x 1/2"   |
| 67    | 650152      |     | Screw, 8-32 x 3/8"  |
| 69    | 30081A      |     | * Gasket, Muffler   |
| 69A   | 730162      |     | Kit, Exhaust adapter (Incl. 69 & 77B) (Use as required) (Not for use on PTO side exhaust) |
| 80    | 31510       |     | Lever, Governor   |
| 81    | 31335       |     | Clamp, Governor lever   |
| 82    | 650548      |     | Screw, 8-32 x 5/16"   |
| 88    | 31342       |     | Spring, Compression   |
| 89    | 650549      |     | Screw, 5-40 x 7/16"   |
| 90    | 27793       |     | Clip, Conduit   |
| 91    | 28942       |     | Screw, 10-32 x 3/8"   |
| 92    | 31426       |     | Spring, Extension   |
| 114   | 650814      |     | Screw, Torx T-15, 10-24 x 1"  |
| 150   | 650691      |     | Washer, Flat  |
| 157   | 610973      |     | Terminal Ass'y. (Use as required)   |
| 161   | 34594       |     | Rod, Choke  |
| 190C  | 34346       |     | Decal, Instruction  |

ILLUSTRATION SHOWS TYPICAL PARTS ONLY. ORDER BY PART NUMBER. PARTS NOT LISTED ARE SUPPLIED BY OEM.



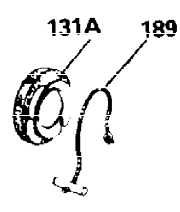
**MODEL and SERIAL  
 NUMBERS HERE**



**OPTIONAL 110 - 120 VOLT  
 STARTER MOTOR KIT**



**STARTER MUFF KIT  
 (OPTIONAL)**



| Ref # | Part Number | Qty | Description   |
|-------|-------------|-----|---|
| 1     | 35115A      |     | Cylinder (Incl. 2, 3 & 6) (2-1/2" Bore)   |
| 41    | 650695A     |     | Screw, 5/16-18 x 2-1/4" (Use as required)   |
| 41    | 6021A       |     | Screw, 5/16-18 x 1-1/2" (Use as required)   |
| 41    | 650865      |     | Screw, 5/16-18 x 2" (Use as required)   |
| 111   | 34080       |     | Spacer, Flywheel key  |
| 112   | 34443A      |     | Solid State Ass'y.  |
| 113   | 650872      |     | Stud, Solid State mounting  |
| 114   | 650814      |     | Screw, Torx T-15, 10-24 x 1"  |
| 116   | 610118      |     | Cover, Spark plug (Use as required)   |
| 118   | 611080      |     | Flywheel  |
| 119   | 33663C      |     | Housing, Blower NOTE: In original production, the starter may be riveted to the blower housing. If the starter or blower housing needs replacement, the other may need holes used for pop riveting enlarged to use standard mounting hardware. Order 4 nuts (#29752) required to mount starter to replacement |
| 122   | 29212       |     | Screw, 1/4-28 x 7/16"   |
| 123   | 650168      |     | Washer  |
| 124   | 650890      |     | Lockwasher, 5/16  |
| 125   | 30747       |     | Clip, Spark plug shorting   |
| 130   | 35185       |     | Screen, Starter   |
| 150   | 650691      |     | Washer, Flat  |
| 163A  | 32203       |     | Air Cleaner, Starter (Optional)   |
| 163C  | 34870       |     | Decal, Instruction (Optional)   |
| 163B  | 32204       |     | Bracket, Starter air cleaner (Optional)   |
| 163   | 730571      |     | Str.Muff Kit(Incl.163A,163B,163C)(Opt.)   |
| 190   | 34686       |     | Decal, Name   |
| 197   | 590420      |     | Starter, Rewind In original production, the starter may be riveted to the blower housing. If the starter or blower housing needs replacement, the other may need holes used for pop riveting enlarged to use standard mounting hardware. Order 4 nuts (29752) required to mount starter to replacement blower |
| 198A  | 33290D      |     | Electric Starter Motor (120 volt) This 120-Volt starter motor kit can be used on those models equipped with electric starter provisions. Refer to Division 5, Section D, Page 16 for breakdown.   |