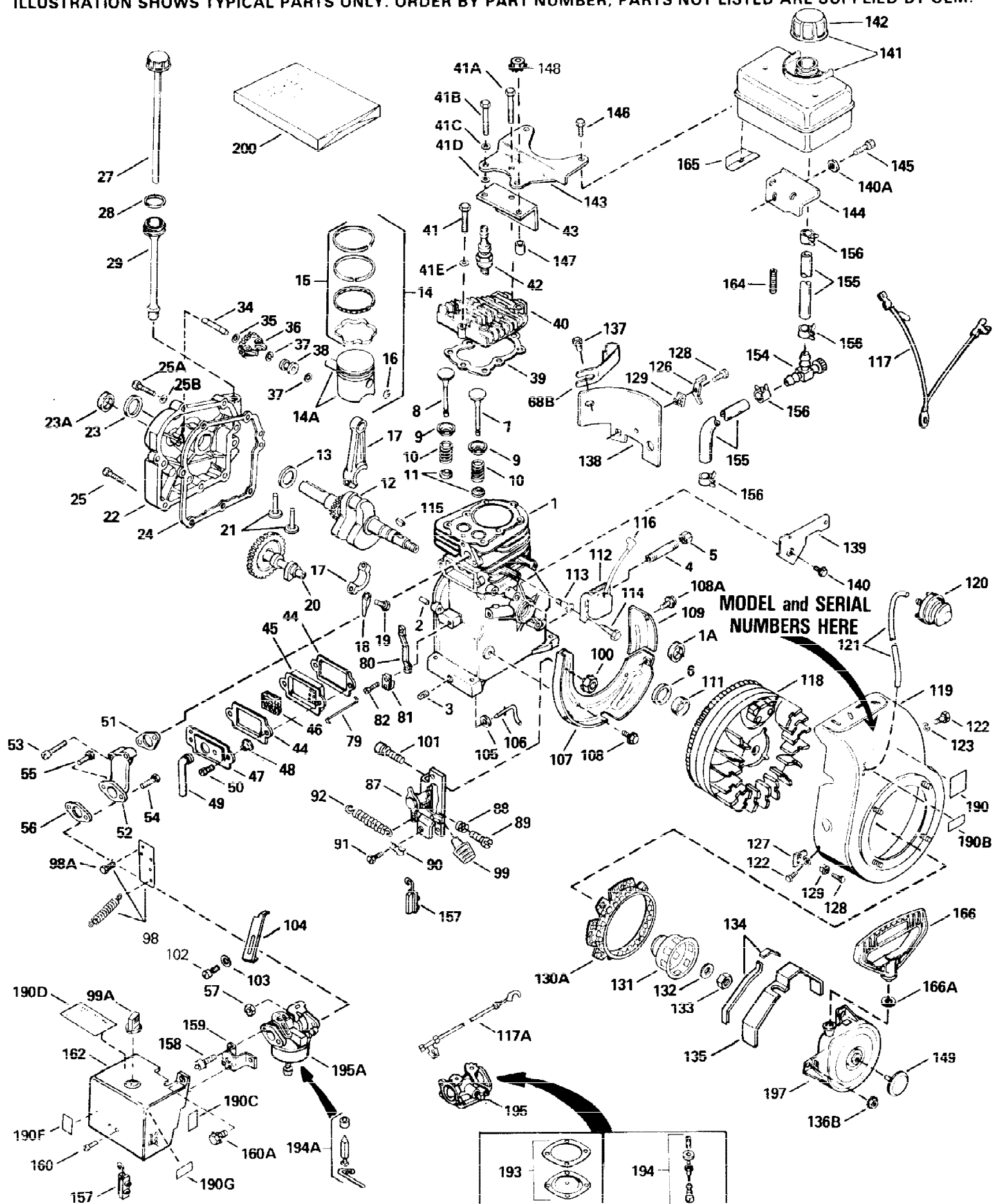


ILLUSTRATION SHOWS TYPICAL PARTS ONLY. ORDER BY PART NUMBER, PARTS NOT LISTED ARE SUPPLIED BY OEM.

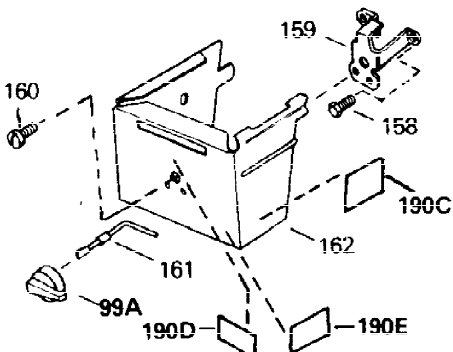
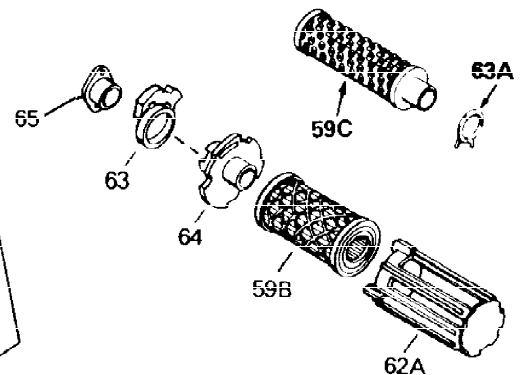
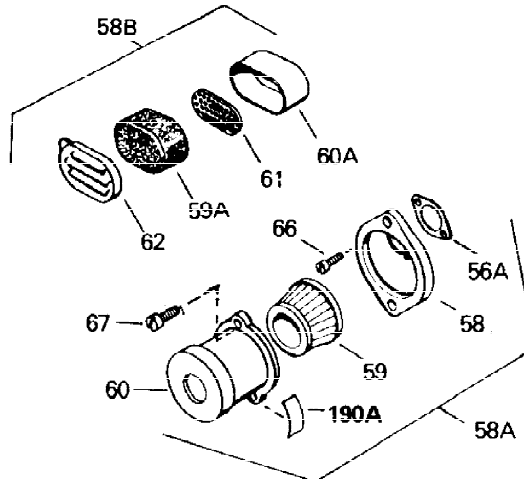
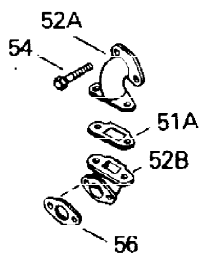
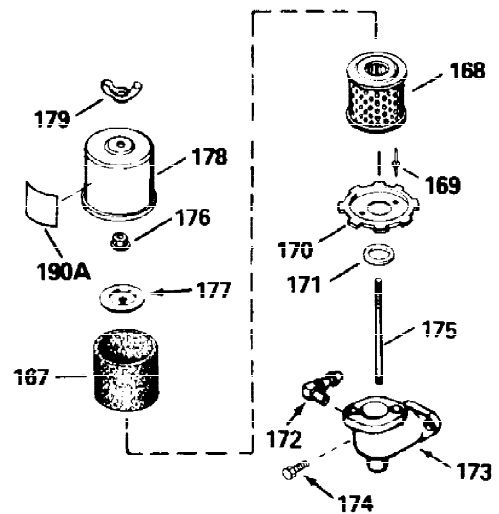
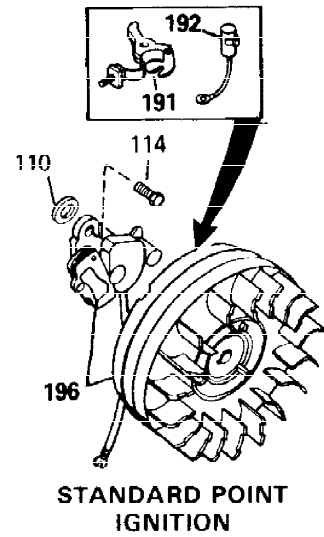
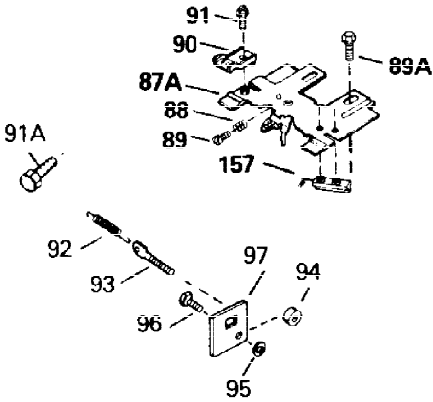
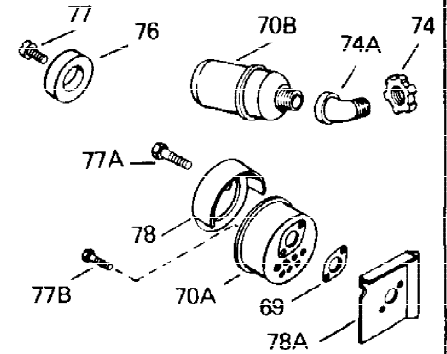
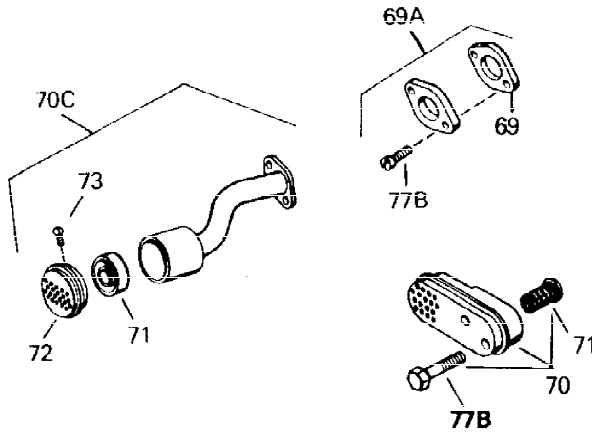
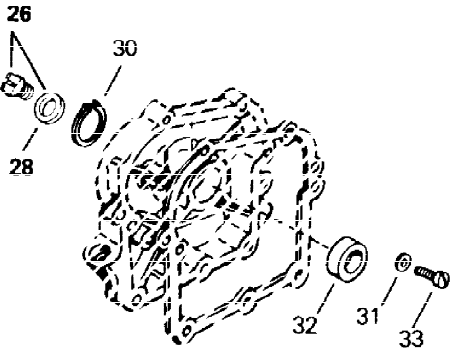
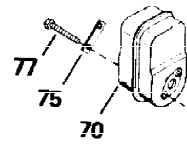
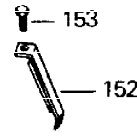
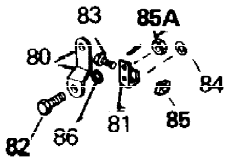


Ref #	Part Number	Qty	Description
1	34708A		Cylinder (Incl. 2, 3 & 6) (2-1/2" Bore)
2	26727		Pin, Dowel
3	27642		Pipe plug, 1/4-18
4	30968		Nipple, Drain, 1/4 x 1-1/2
5	30969		Cap, Oil drain
6	32600		Seal, Oil
7	29314B		Intake Valve (Std.) (Incl. 11)
7	29315C		Intake Valve (1/32" OS) (Incl. 11)
8	29313C		Exhaust Valve (Std.) (Incl. 11)
8	29315C		Exhaust Valve (1/32" OS) (Incl. 11)
9	31671		Valve Spring Cap (Used in early production)
10	31672		Spring, Valve
11	31673		Valve Spring Cap
12	34709		Crankshaft
14	34514		Piston, Pin & Ring Set (Std.) (2-1/2" Bore)
14	34515		Piston, Pin & Ring Set (.010" OS)
14	34516		Piston, Pin & Ring Set (.020" OS)
14A	32538B		Piston & Pin Ass'y. (Std.) (2-1/2") (Incl. 16)
14A	32548B		Piston & Pin Ass'y. (.010" OS) (Incl. 16)
14A	32549B		Piston & Pin Ass'y. (.020" OS) (Incl. 16)
15	28986		Ring Set (Std.) (2-1/2" Bore)
15	28987		Ring Set (.010" OS)
15	28988		Ring Set (.020" OS)
16	20381		Ring, Piston retaining
17	30963B		Rod Assy., Connecting (Incl. 19)
18	28594		Dipper, Oil
19	32610A		Bolt, Connecting rod
20	33159A		Camshaft (Extended)
21	27241		Lifter, Valve
22	34670		Cover, Cylinder (Incl. 23, 26, 28 & 34)
23	26208		Seal, Oil
23A	30318		Seal, Oil
24	27677A		* Gasket, Cylinder cover
25	650488		Screw, 1/4-20 x 1-1/4"
27	34676		Dipstick, Oil (Incl. 28)
28	33590		"O" Ring
29	33893A		Tube, Oil fill
34	30574		Shaft, Mechanical governor
35	35479		Washer, Flat
36	30591		Gear Assy., Governor (Incl. 35)
37	29193		Ring, Retaining
38	30588A		Spool, Governor
39	29953C		* Gasket, Cylinder head
40	30579A		Head, Cylinder (Incl. 41A)
41A	650694A		Screw, 5/16-18 x 2" (Use as required)
41	650695A		Screw, 5/16-18 x 2-1/4" (Use as required)
41	6021A		Screw, 5/16-18 x 1-1/2" (Use as required)
41	650865		Screw, 5/16-18 x 2" (Use as required)
42	34251		Plug, Spark, Resistor (RJ17LM)
43	32664		Baffle, Heat
44	31619A		* Gasket, Breather (One required)
45	31337		Breather Assy. (Incl. 44 & 46)
46	31410		Element, Breather
50	650128		Screw, 10-24 x 1/2"
51	32649A		* Gasket, Intake to cylinder

Ref #	Part Number	Qty	Description
	52 34597		Pipe, Intake
	54 650451		Screw, 1/4-20 x 1"
	55 6201		Screw, 1/4-28 x 7/8"
	56 31688A		* Gasket, Carburetor-to-intake
	57 29752		Nut & Lockwasher Assy., 1/4-28
	79 31858		Link, Throttle
	80 31510		Lever, Governor
	81 31335		Clamp, Governor lever
	82 650548		Screw, 8-32 x 5/16"
	87 33858A		Control Bracket (Incl.88,89,100,101 & 157) NOTE: In original production the speed control assembly is riveted to the blower housing baffle (Ref. #107). Replacement speed control assembly includes screws (Ref. #101)and nuts (Ref. #100) for mounting.
	88 31342		Spring, Compression
	89 650549		Screw, 5-40 x 7/16"
	92 34593		Spring, Extension
	98 33857		Spring Assy., Extension (Incl. 98A)
	99A 35438		Knob, Control
	99 32410		Knob, Speed control
	100 30322		Locknut, 8-32 (Use as required)
	101 650139		Screw, 8-32 x 1/2" (Use as required)
	101 650152		Screw, 8-32 x 3/8" (Use as required)
	101 30200		Screw, 10-24 x 9/16" (Use as required)
	105 28277		Washer, Flat
	106 31334		Rod, Governor
	107 33342		Baffle, Blower housing
	108A 650701		Screw, 8-18 x 7/16"
	108 650561		Screw, 1/4-20 x 5/8"
	109 33341		Baffle, Extension
	114 650489		Screw, 1/4-20 x 5/8"
	115 610961		Flywheel key
	116 610118		Cover, Spark plug (Use as required)
	117A 35234		Cut-off wire
	119 34813A		Housing, Blower NOTE: In original production, the starter may be riveted to theblower housing. If the starter or blower housing needs replacement, the other may need holes used for pop rivetingenlarged to use standard mounting hardware. Order 4 nuts (#29752) required to mount starter to replaceme
	120 34814		Primer Assy.
	121 32180C		Line, Primer
	122 29212		Screw, 1/4-28 x 7/16"
	123 650168		Washer
	127 34126		Bracket, Grommet mounting
	130A 33668		Screen, Starter
	131 34694		Cup, Starter
	132 650815		Washer, Belleville
	133 650816		Nut, Flywheel
	134 32576		Seal, Snow guard
	135 31680		Guard, Starter
	136B 29752		Nut & Lockwasher Assy., 1/4-28
	137 650128		Screw, 10-24 x 1/2"

Ref #	Part Number	Qty	Description
138	29745		Extension, Blower housing
139	34212		Bracket, Hold down
140	30200		Screw, 10-24 x 9/16"
140A	650675		Washer, Flat
141	32660A		Fuel Tank (Incl. 142 & 156)
142	33032		Cap, Fuel filler (Use as required)
142	410144B		Cap, Fuel filler (Std.) (Use as required)
143	32661		Fuel Tank Bracket
145	30063		Screw, 1/4-20 x 1/2"
146	650665		Screw, 1/4-15 x 7/8"
147	28212		Spacer, Tank bracket (Not used in all models)
150	650708		Washer, Flat
155	29774		Fuel Line (Braided, 8-1/4") (Use as required)
155	30705		Fuel Line (Braided, 16") (Use as required)
156	26460		Clamp, Fuel line (Use as required)
157	610973		Terminal Ass'y. (Use as required)
158	28820		Screw, 10-32 x 1/2"
159	34587		Choke bracket
160A	650257		Screw, 8-32 x 5/16"
162	34596A		Cover, Carburetor
193	630978		Diaphragm Assy.
194	630932A		Inlet needle, Valve, Seat & Gasket As s'y.
195	632117		Carburetor (Incl. 56, 193 & 194) (Refer to Division 5, Section A, page 172 for breakdown)
197	590473		Starter, Rewind (Refer to Division 5, Section C, page 29 for breakdown)
200	33233A		* Gasket Set (Incl. items marked *)

ILLUSTRATION SHOWS TYPICAL PARTS ONLY. ORDER BY PART NUMBER. PARTS NOT LISTED ARE SUPPLIED BY OEM.

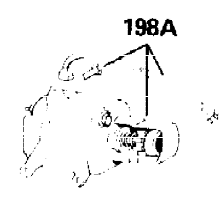
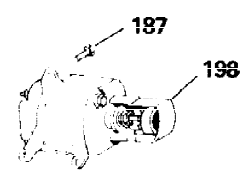


Ref #	Part Number	Qty	Description
1	34708A		Cylinder (Incl. 2, 3 & 6) (2-1/2" Bore)
28	33590		"O" Ring
54	650451		Screw, 1/4-20 x 1"
56	31688A		* Gasket, Carburetor-to-intake
58B	31545		Air Cleaner Ass'y. (Incl. 56A, 59A, 60A, 61 & 62) (Use as required)
58A	730127		Air Cleaner Ass'y. (Incl. 56A, 58, 59, 60, 66, 67 & 170) (Use as required)
58A	730164		Air Cleaner Ass'y. (Incl. 56A, 58, 59, 60, 66, 67 & 170A) (Use as required)
69A	730162		Kit, Exhaust adapter (Incl. 69 & 77B) (Use as required) (Not for use on PTO side exhaust)
69	30081A		* Gasket, Muffler
70A	30996		Muffler
77B	650493		Screw, 1/4-20 x 1-3/4"
77A	650665		Screw, 1/4-15 x 7/8"
78	30997		Cover, Muffler
78A	31874		Baffle, Heat
80	31510		Lever, Governor
81	31335		Clamp, Governor lever
82	650548		Screw, 8-32 x 5/16"
88	31342		Spring, Compression
89	650549		Screw, 5-40 x 7/16"
92	34593		Spring, Extension
99A	35438		Knob, Control
110	33876		Gasket, Stator
114	650489		Screw, 1/4-20 x 5/8"
150	650708		Washer, Flat
152	34595		Heat, Baffle
153	28763		Screw, 10-32 x 19/32"
157	610973		Terminal Ass'y. (Use as required)
158	28820		Screw, 10-32 x 1/2"
159	34587		Choke bracket
161	34594		Rod, Choke
162	34596A		Cover, Carburetor
191	30547A		Contact Assy., Breaker
192	30548B		Condenser
196	611030		Magneto NOTE: The complete magneto is not available as an assembly. The magnetonumber is shown for reference purposes only. Order component parts individually, as shown in parts list. (Refer to Div.5, Sec.B,pg.39 for breakdown)

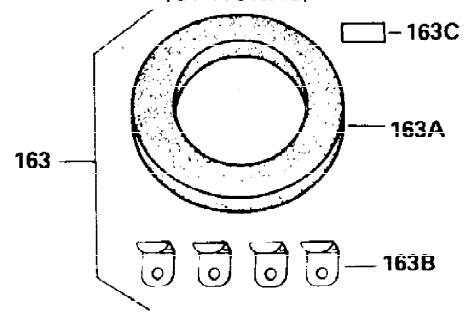
ILLUSTRATION SHOWS TYPICAL PARTS ONLY. ORDER BY PART NUMBER. PARTS NOT LISTED ARE SUPPLIED BY OEM.



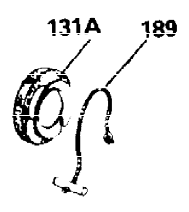
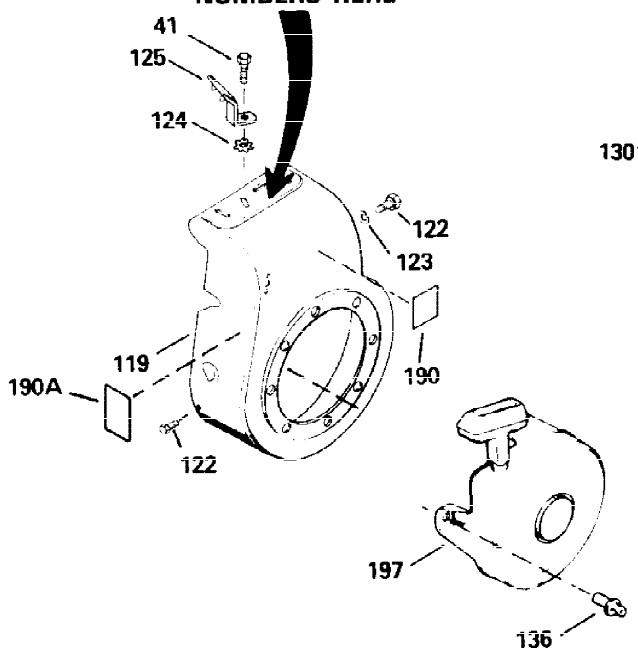
**OPTIONAL 110 - 120 VOLT
 STARTER MOTOR KIT**



**STARTER MUFF KIT
 (OPTIONAL)**



**MODEL and SERIAL
 NUMBERS HERE**



Ref #	Part Number	Qty	Description
1	34708A		Cylinder (Incl. 2, 3 & 6) (2-1/2" Bore)
41	650695A		Screw, 5/16-18 x 2-1/4" (Use as required)
41	6021A		Screw, 5/16-18 x 1-1/2" (Use as required)
41	650865		Screw, 5/16-18 x 2" (Use as required)
114	650489		Screw, 1/4-20 x 5/8"
116	610118		Cover, Spark plug (Use as required)
119	34813A		Housing, Blower NOTE: In original production, the starter may be riveted to the blower housing. If the starter or blower housing needs replacement, the other may need holes used for pop riveting enlarged to use standard mounting hardware. Order 4 nuts (#29752) required to mount starter to replacement
122	29212		Screw, 1/4-28 x 7/16"
123	650168		Washer
150	650708		Washer, Flat
163	730571		Str.Muff Kit(Incl.163A,163B,163C)(Opt .)
163A	32203		Air Cleaner, Starter (Optional)
163B	32204		Bracket, Starter air cleaner (Optional)
163C	34870		Decal, Instruction (Optional)
197	590473		Starter, Rewind (Refer to Division 5, Section C, page 29 for breakdown)
198A	33290D		Electric Starter Motor (120 volt) This 120-Volt starter motor kit can be used on those models equipped with electric starter provisions. Refer to Division 5, Section D, Page 16 for breakdown.