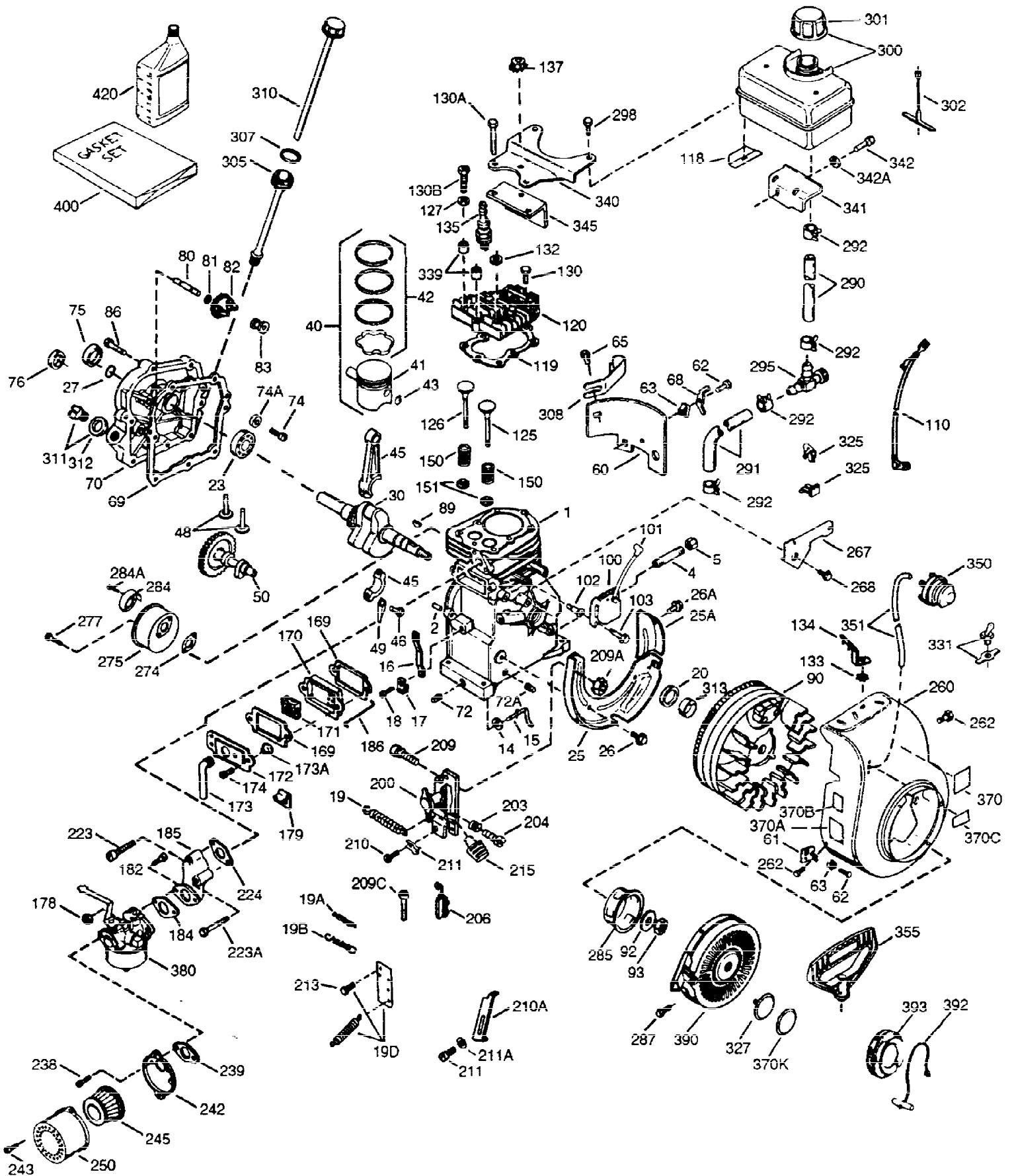


ILLUSTRATION SHOWS TYPICAL PARTS ONLY. ORDER BY PART NUMBER. PARTS NOT LISTED ARE SUPPLIED BY OEM.

VIEW 1 OF 2



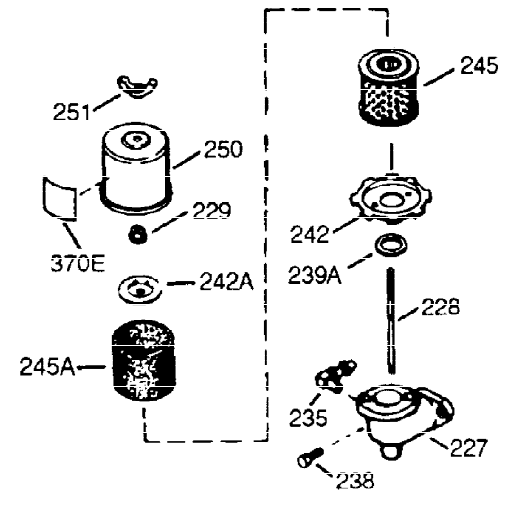
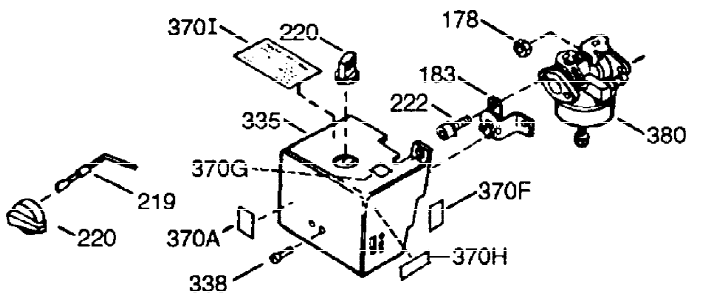
Ref #	Part Number	Qty	Description
1	36591	1	Cylinder (Incl. 2,20,72 & 125)
2	26727	2	Dowel Pin
14	28277	1	Washer
15	31334	1	Governor Rod
16	31336	1	Governor Lever
17	31335	1	Governor Lever Clamp
18	651018	1	Screw, Torx T-15, 8-32 x 19/64"
19	34593	1	Extension Spring
20	32600	1	Oil Seal
25	36552	1	Blower Housing Baffle (Incl. 262)
25A	35883	1	Baffle Extension
26	650802	2	Screw, 1/4-20 x 5/8"
26A	650926	1	Screw, 8-32 x 21/64"
30	35902	1	Crankshaft
40	40020	1	Piston, Pin & Ring Set (Std.)
40	40021	1	Piston, Pin & Ring Set (.010" OS)
41	40018	1	Piston & Pin Ass'y. (Std.) (Incl. 43)
41	40019	1	Piston & Pin Ass'y. (.010" OS) (Incl. 43)
42	40022	1	Ring Set (Std.)
42	40023	1	Ring Set (.010" OS)
43	20381	2	Piston Pin Retaining Ring
45	30963B	1	Connecting Rod Ass'y. (Incl. 46 & 49)
46	32610A	2	Connecting Rod Bolt
48	27241	2	Valve Lifter
49	28594	1	Oil Dipper
50	32197A	1	Camshaft (MCR)
60	29745	1	Blower Housing Extension
65	650128	1	Screw, 10-24 x 1/2"
69	27677A	1	* Cylinder Cover Gasket
70	34683B	1	Cylinder Cover (Incl. 75 thru 83)
72	27642	2	Oil Drain Plug
75	26208	1	Oil Seal
80	30574A	1	Governor Shaft
81	30590A	1	Washer
82	30591	1	Governor Gear Ass'y. (Incl. 81)
83	30588A	1	Governor Spool
86	650488	7	Screw, 1/4-20 x 1-1/4"
89	610961	1	Flywheel Key
90	611195	1	Flywheel
92	650815	1	Belleville Washer
93	650816	1	Flywheel Nut
100	34443B	1	Solid State Ignition
102	651024	2	Solid State Mounting Stud
103	651007	2	Screw, Torx T-15, 10-24 x 15/16"
110	35182	1	Ground Wire
119	36437	1	* Cylinder Head Gasket
120	36438	1	Cylinder Head (Incl. 119 & 130)
125	36471	1	Exhaust Valve (Std.) (Incl. 151)
125	36472	1	Exhaust Valve (1/32" OS) (Incl. 151)
126	29314C	1	Intake Valve (Std.) (Incl. 151)
126	29315C	1	Intake Valve (1/32" OS) (Incl. 151)
130	650694A	7	Screw, 5/16-18 x 2"
130A	6021A	1	Screw, 5/16-18 x 1-1/2"
132	650708	1	Washer
135	33636	1	Spark Plug (RJ17LM)

Ref #	Part Number	Qty	Description
150	31672	2	Valve Spring
151	31673	2	Valve Spring Cap
169	27234A	2	* Valve Cover Gasket
170	27666	1	Breather Body
171	31410	1	Breather Element
172	34146	1	Valve Cover
173	32447	1	Breather Tube
173A	32446	1	Breather Tube Grommet
174	650783	2	Screw, 10-24 x 3/4"
178	29752	2	Nut & Lock Washer, 1/4-28
179	30593	1	Retainer Clip
182	6201	2	Screw, 1/4-28 x 7/8"
184	26756	1	* Carburetor To Intake Pipe Gasket
185	36703	1	Intake Pipe (Incl. 182,184,224)
186	31341	1	Governor Link
200	36677	1	Control Bracket (Incl. 203 thru 209A)
203	31342	1	Compression Spring
204	651029	1	Screw, Torx T-10, 5-40 x 7/16"
206	610973	1	Terminal
209A	30322	2	Lock Nut 8-32
209	650139	2	Screw, 8-32 x 1/2"
215	32410	1	Control Knob
223	650451	2	Screw, 1/4-20 x 1"
224	26754A	1	* Intake Pipe Gasket
238	650932	2	Screw, 10-32 x 49/64"
239	34338	1	* Air Cleaner Gasket
245	35066	1	Air Cleaner Filter
250	35065	1	Air Cleaner Cover
260	35585	1	Blower Housing
262	650737	2	Screw, 1/4-20 x 1/2"
275	40000	1	Muffler (W/Catalyst)
277	650988	2	Screw, 1/4-20 x 1-3/4"
285	36467A	1	Starter Cup
287	650926	2	Screw, 8-32 x 21/64"
290	29774		Fuel Line
292	26460	2	Fuel Line Clamp
298	650665	2	Screw, 1/4-15 x 7/8"
300	35591	1	Fuel Tank (Incl. 292 & 301)
301	35355	1	Fuel Cap
305	35554	1	Oil Fill Tube
307	35499	1	"O"-Ring
308	35539	1	Fill Tube Clip
310	35556	1	Dipstick
313	34080	1	Spacer
339	28212	2	Spacer
340	35926	1	Fuel Tank Bracket
342	650751	1	Screw, 1/4-20 x 7/16"
345	32664	1	Heat Baffle
370B	35703	1	Control Decal
370A	36261	1	Lubrication Decal
370K	36695	1	Starter Decal
380	640172	1	Carburetor (Incl. 184)
390	590732	1	Rewind Starter (NOTE: This engine could have been built with 590738 starter)

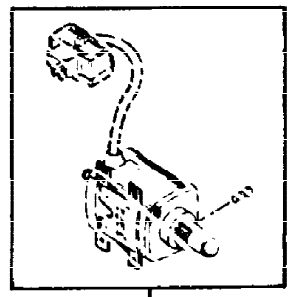
Ref #	Part Number	Qty	Description
400	36439	1	* Gasket Set (Incl. items marked PK i n notes) Incl. part #'s 26754A (1), 26756 (1), 27234A (2), 27272A (1), 27677A (1), 29673 (2), 30081A (1), 31688A (1), 32649A (1), 36437 (1)
900	0	1	Replacement Engine 754294, order from 71-999
900	0	2	Replacement S/B 754291, order from 71 -999

ILLUSTRATION SHOWS TYPICAL PARTS ONLY. ORDER BY PART NUMBER. PARTS NOT LISTED ARE SUPPLIED BY OEM.

VIEW 2 OF 2



OPTIONAL 110 - 120 VOLT
STARTER MOTOR KIT



396

Ref #	Part Number	Qty	Description
16	31336	1	Governor Lever
17	31335	1	Governor Lever Clamp
18	651018	1	Screw, Torx T-15, 8-32 x 19/64"
178	29752	2	Nut & Lock Washer, 1/4-28
200	36677	1	Control Bracket (Incl. 203 thru 209A)
203	31342	1	Compression Spring
204	651029	1	Screw, Torx T-10, 5-40 x 7/16"
206	610973	1	Terminal
209	650139	2	Screw, 8-32 x 1/2"
209A	30322	2	Lock Nut 8-32
238	650932	2	Screw, 10-32 x 49/64"
241	35797	1	Air Cleaner Collar
245	35066	1	Air Cleaner Filter
250	35065	1	Air Cleaner Cover
275	40000	1	Muffler (W/Catalyst)
277	650988	2	Screw, 1/4-20 x 1-3/4"
370A	36261	1	Lubrication Decal
380	640172	1	Carburetor (Incl. 184)
416	36085	1	Spark Arrestor Kit (Incl. 417)(Optional)
417	650821	1	Screw, 10-32 x 1/2" (Optional)
900	0	1	Replacement Engine 754294, order from 71-999
900	0	2	Replacement S/B 754291, order from 71-999