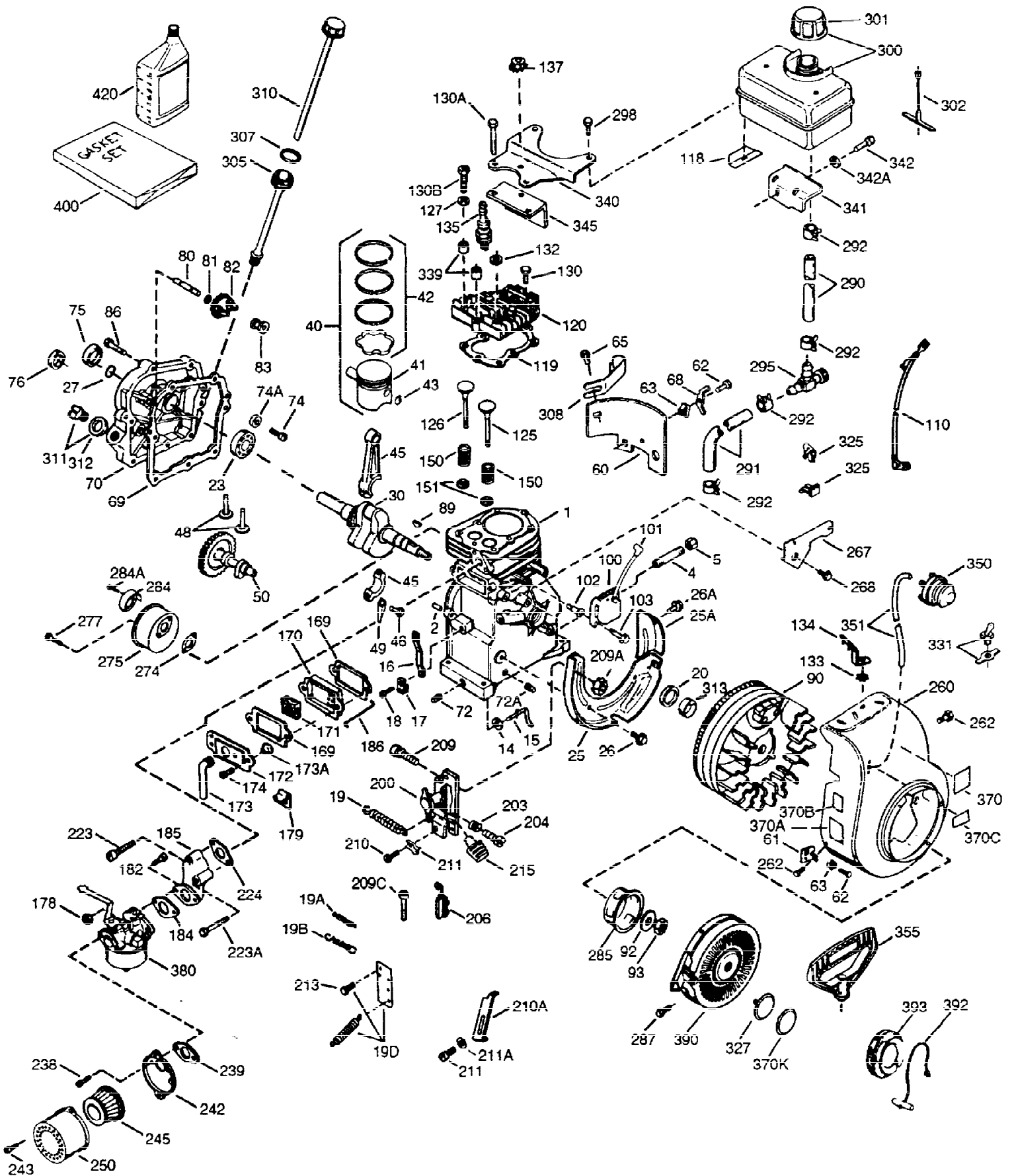


ILLUSTRATION SHOWS TYPICAL PARTS ONLY. ORDER BY PART NUMBER. PARTS NOT LISTED ARE SUPPLIED BY OEM.

VIEW 1 OF 2



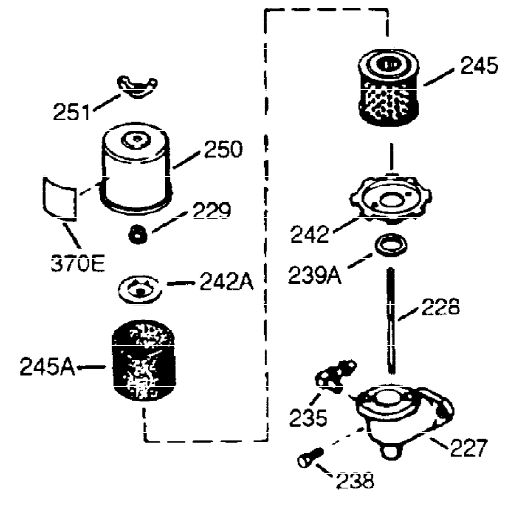
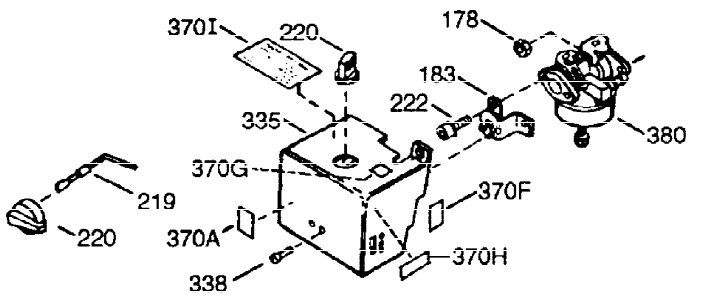
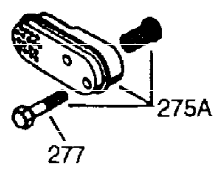
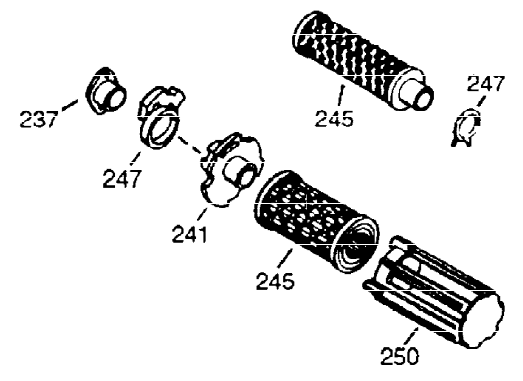
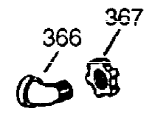
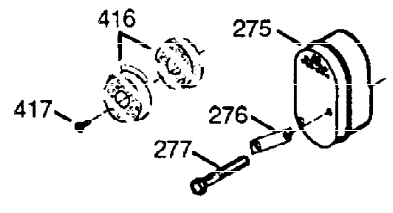
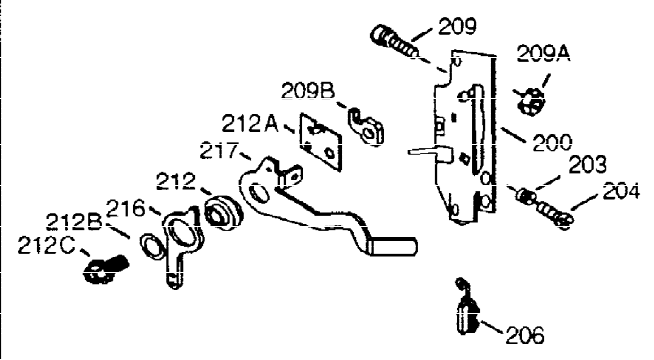
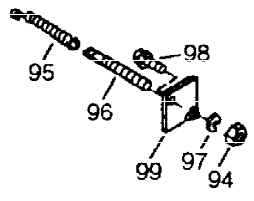
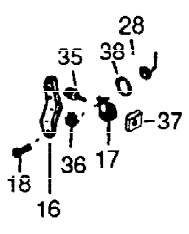
Ref #	Part Number	Qty	Description
1	36589	1	Cylinder (Incl. 2,20,72 & 125)
2	26727	2	Dowel Pin
14	28277	1	Washer
15	31334	1	Governor Rod
16	31510	1	Governor Lever
17	31335	1	Governor Lever Clamp
18	650548	1	Screw, 8-32 x 5/16"
19	31426	1	Extension Spring
20	32600	1	Oil Seal
23	28458	1	Ball Bearing
25	36552	1	Blower Housing Baffle (Incl. 262)
25A	35883	1	Baffle Extension
26	650802	2	Screw, 1/4-20 x 5/8"
26A	650926	1	Screw, 8-32 x 21/64"
27	28539	1	Retainer Ring
30	34735	1	Crankshaft
40	34514	1	Piston, Pin & Ring Set (Std.)
40	34515	1	Piston, Pin & Ring Set (.010" OS)
40	34516	1	Piston, Pin & Ring Set (.020" OS)
41	32538B	1	Piston & Pin Ass'y. (Std.) (Incl. 43)
41	32548B	1	Piston & Pin Ass'y. (.010" OS) (Incl. 43)
41	32549B	1	Piston & Pin Ass'y. (.020" OS) (Incl. 43)
42	28986	1	Ring Set (Std.)
42	28987	1	Ring Set (.010" OS)
42	28988	1	Ring Set (.020" OS)
43	20381	2	Piston Pin Retaining Ring
45	32875	1	Connecting Rod Ass'y. (Incl. 46 & 49)
46	32610A	2	Connecting Rod Bolt
48	27241	2	Valve Lifter
49	32654	1	Oil Dipper
50	33149A	1	Camshaft (BCR)
60	29745	1	Blower Housing Extension
65	650128	1	Screw, 10-24 x 1/2"
69	27677A	1	* Cylinder Cover Gasket
70	30756C	1	Cylinder Cover (Incl. 75 thru 83)
72	27642	2	Oil Drain Plug
74A	28537	2	Washer
74	30200	2	Screw, 10-24 x 9/16"
75	28540	1	Oil Seal
80	30574A	1	Governor Shaft
81	30590A	1	Washer
82	30591	1	Governor Gear Ass'y. (Incl. 81)
83	30588A	1	Governor Spool
86	650488	7	Screw, 1/4-20 x 1-1/4"
89	610961	1	Flywheel Key
90	611195	1	Flywheel
92	650815	1	Belleville Washer
93	650816	1	Flywheel Nut
100	34443A	1	Solid State Ignition
101	610118	1	Spark Plug Cover
102	650872	2	Solid State Mounting Stud
103	651007	2	Screw, Torx T-15, 10-24 x 15/16"
110	35182	1	Ground Wire
119	36437	1	* Cylinder Head Gasket
120	36438	1	Cylinder Head (Incl. 130)

Ref #	Part Number	Qty	Description
125	36471	1	Exhaust Valve (Std.) (Incl. 151)
125	36472	1	Exhaust Valve (1/32" OS) (Incl. 151)
126	29314B	1	Intake Valve (Std.) (Incl. 151)
126	29315C	1	Intake Valve (1/32" OS) (Incl. 151)
130	650694A	5	Screw, 5/16-18 x 2"
131	6021A	3	Screw, 5/16-18 x 1-1/2"
135	33636	1	Resistor Spark Plug (RJ17LM)
150	31672	2	Valve Spring
151	31673	2	Valve Spring Cap
169	27234A	2	* Valve Cover Gasket
170	27666	1	Breather Body
171	31410	1	Breather Element
172	34146	1	Valve Cover
173	35350	1	Breather Tube
174	30200	2	Screw, 10-24 x 9/16"
178	29752	2	Nut & Lock Washer, 1/4-28
182	6201	2	Screw, 1/4-28 x 7/8"
184	26756	1	* Carburetor-to-Intake Pipe Gasket
185	28416A	1	Intake Pipe
186	31858	1	Governor Link
200	36677	1	Control Bracket (Incl. 203 thru 211)
203	31342	1	Compression Spring
204	650549	1	Screw, 5-40 x 7/16"
206	610973	1	Terminal
209A	30322	2	Lock Nut 8-32
209	650139	2	Screw, 8-32 x 1/2"
215	32410	1	Control Knob
223A	650840	1	Screw, 1/4-20 x 1-7/32"
223	650664	1	Screw, 1/4-20 x 1-19/32"
224	26754A	1	* Intake Pipe Gasket
238	650152	2	Screw, 8-32 x 3/8"
239	27272A	1	* Air Cleaner Gasket
242	31691	1	Air Cleaner Base
243	28820	2	Screw, 10-32 x 1/2"
245	30727	1	Air Cleaner Filter
250	31715	1	Air Cleaner Cover
260	35585	1	Blower Housing
262	650737	2	Screw, 1/4-20 x 1/2"
267	34212	1	Hold Down Bracket
268	30200	1	Screw, 10-24 x 9/16"
275	36473	1	Muffler (Incl. 277)
277	650988	2	Screw, 1/4-20 x 2-5/16"
285	36467A	1	Starter Cup
287	650926	2	Screw, 8-32 x 21/64"
290	30705	1	Fuel Line
292	26460	2	Fuel Line Clamp
298	650665	2	Screw, 1/4-15 x 7/8"
300	35584	1	Fuel Tank (Incl. 292 & 301)
301	36246	1	Fuel Cap
305	35554	1	Oil Fill Tube
307	35499	1	"O"-Ring
310	35582	1	Dipstick
311	27625	1	Oil Fill Plug (Incl. 312)
312	29673	1	* Oil Fill Plug Gasket
313	34080	1	Spacer

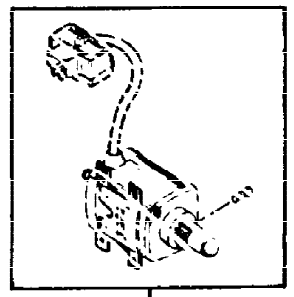
Ref #	Part Number	Qty	Description
327	35392	1	Starter Plug
340	36247	1	Fuel Tank Bracket
342	650751	1	Screw, 1/4-20 x 7/16"
345	33344	1	Heat Baffle
370A	36261	1	Lubrication Decal
370B	35703	1	Control Decal
380	631921	1	Carburetor (Incl. 184)
390	590732	1	Rewind Starter (NOTE: This engine could have been built with 590688 starter. Refer to the design of the air intake louvers for part identification. Individual starter parts do not interchange.)
400	36439	1	* Gasket Set (Incl. items marked PK i n notes) Incl. part #'s 26754A (1), 26756 (1), 27234A (2), 27272A (1), 27677A (1), 29673 (1), 30081A (1), 31688A (1), 32649A (1), 36437 (1)
420	730225	1	SAE 30 4-Cycle Engine Oil (Quart)

ILLUSTRATION SHOWS TYPICAL PARTS ONLY. ORDER BY PART NUMBER. PARTS NOT LISTED ARE SUPPLIED BY OEM.

VIEW 2 OF 2



OPTIONAL 110 - 120 VOLT
STARTER MOTOR KIT



396

Ref #	Part Number	Qty	Description
16	31510	1	Governor Lever
17	31335	1	Governor Lever Clamp
18	650548	1	Screw, 8-32 x 5/16"
131	6021A	3	Screw, 5/16-18 x 1-1/2"
178	29752	2	Nut & Lock Washer, 1/4-28
200	36677	1	Control Bracket (Incl. 203 thru 211)
203	31342	1	Compression Spring
204	650549	1	Screw, 5-40 x 7/16"
206	610973	1	Terminal
209A	30322	2	Lock Nut 8-32
209	650139	2	Screw, 8-32 x 1/2"
238	650152	2	Screw, 8-32 x 3/8"
242	31691	1	Air Cleaner Base
245A	35974	1	Air Cleaner Filter
245	30727	1	Air Cleaner Filter
250	31715	1	Air Cleaner Cover
275	36473	1	Muffler (Incl. 277)
277	650988	2	Screw, 1/4-20 x 2-5/16"
370A	36261	1	Lubrication Decal
380	631921	1	Carburetor (Incl. 184)