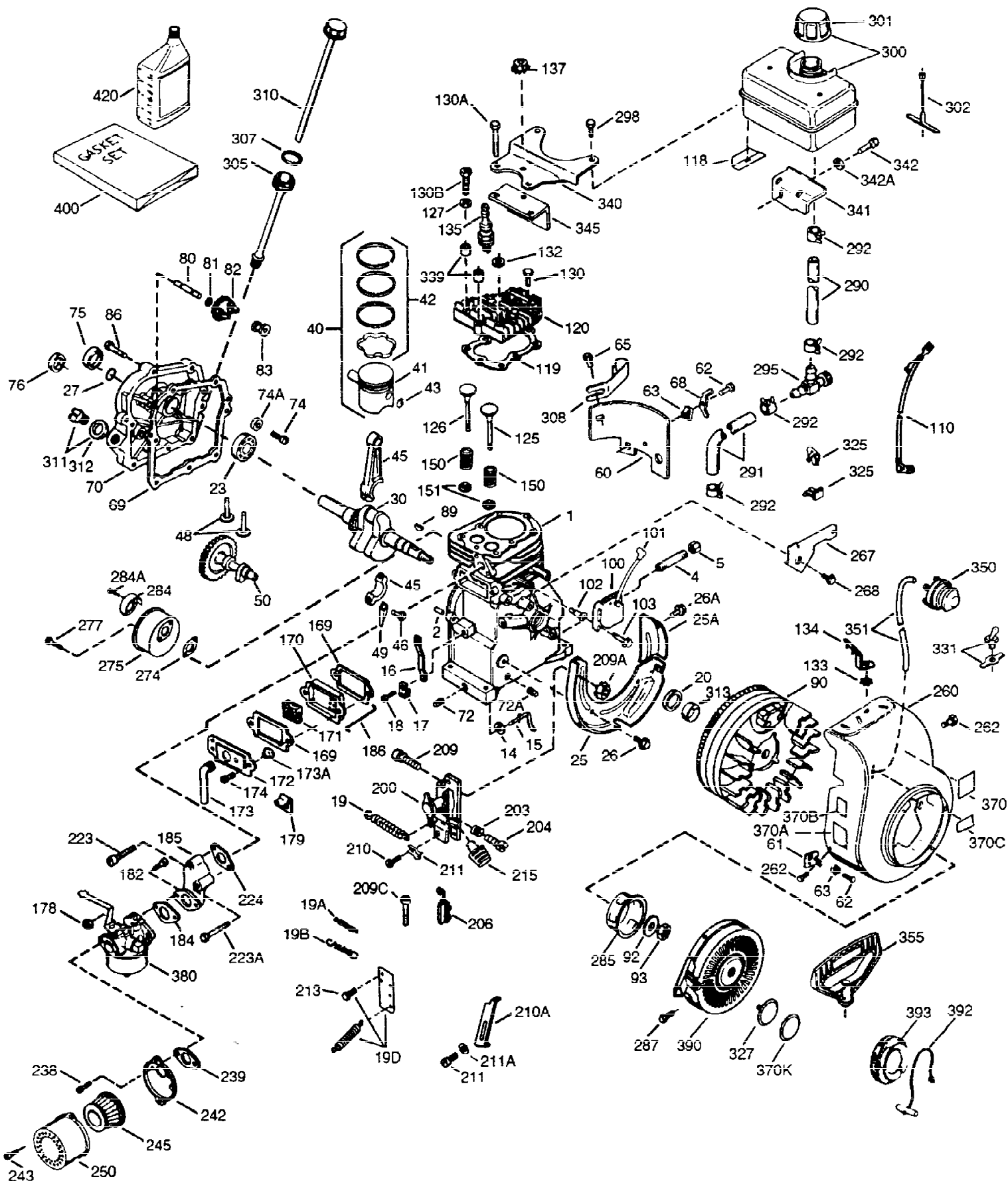


ILLUSTRATION SHOWS TYPICAL PARTS ONLY. ORDER BY PART NUMBER. PARTS NOT LISTED ARE SUPPLIED BY OEM.

VIEW 1 OF 2



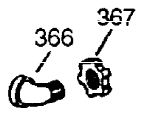
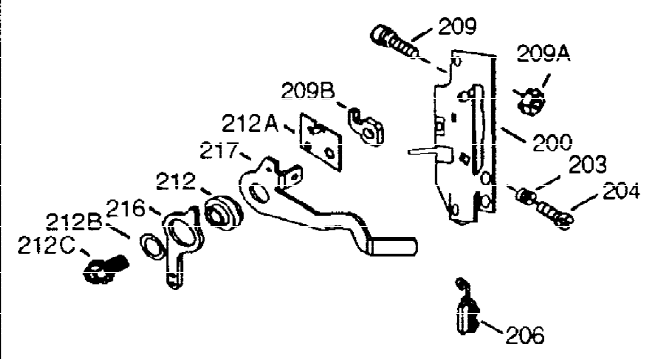
| Ref # | Part Number | Qty | Description |
|-------|-------------|-----|---|
| 1 | 36562 | 1 | Cylinder (Incl. 2,20,72 & 125) |
| 2 | 26727 | 2 | Dowel Pin |
| 14 | 28277 | 1 | Washer |
| 15 | 31334 | 1 | Governor Rod |
| 16 | 31510 | 1 | Governor Lever |
| 17 | 31335 | 1 | Governor Lever Clamp |
| 18 | 651018 | 1 | Screw, Torx T-15, 8-32 x 19/64" |
| 19 | 31426 | 1 | Extension Spring |
| 20 | 32600 | 1 | Oil Seal |
| 23 | 28458 | 1 | Ball Bearing |
| 25 | 36552 | 1 | Blower Housing Baffle (Incl. 262) |
| 25A | 35883 | 1 | Baffle Extension |
| 26A | 650926 | 1 | Screw, 8-32 x 21/64" |
| 26 | 650802 | 2 | Screw, 1/4-20 x 5/8" |
| 27 | 28539 | 1 | Bearing Retainer |
| 30 | 35132 | 1 | Crankshaft |
| 40 | 40020 | 1 | Piston, Pin & Ring Set (Std.) |
| 40 | 40021 | 1 | Piston, Pin & Ring Set (.010" OS) |
| 41 | 40018 | 1 | Piston & Pin Ass'y. (Std.) (Incl. 43) |
| 41 | 40019 | 1 | Piston & Pin Ass'y. (.010" OS) (Incl. 43) |
| 42 | 40022 | 1 | Ring Set (Std.) |
| 42 | 40023 | 1 | Ring Set (.010" OS) |
| 43 | 20381 | 2 | Piston Pin Retaining Ring |
| 45 | 32875A | 1 | Connecting Rod Ass'y. (Incl. 46 & 49) |
| 46 | 32610A | 2 | Connecting Rod Bolt |
| 48 | 27241 | 2 | Valve Lifter |
| 49 | 32654 | 1 | Oil Dipper |
| 50 | 32197A | 1 | Camshaft (MCR) |
| 60 | 29745 | 1 | Blower Housing Extension |
| 65 | 650128 | 1 | Screw, 10-24 x 1/2" |
| 69 | 27677A | | * Cylinder Cover Gasket |
| 70 | 30756C | 1 | Cylinder Cover (Incl. 75 thru 83,311) |
| 72 | 27642 | 2 | Oil Drain Plug |
| 74A | 28537 | 2 | Washer |
| 74 | 30200 | 2 | Screw, 10-24 x 9/16" |
| 75 | 28540 | 1 | Oil Seal |
| 80 | 30574A | 1 | Governor Shaft |
| 81 | 30590A | 1 | Washer |
| 82 | 30591 | 1 | Governor Gear Ass'y. (Incl. 81) |
| 83 | 30588A | 1 | Governor Spool |
| 86 | 650488 | 7 | Screw, 1/4-20 x 1-1/4" |
| 89 | 610961 | 1 | Flywheel Key |
| 90 | 611195 | 1 | Flywheel |
| 92 | 650815 | 1 | Belleville Washer |
| 93 | 650816 | 1 | Flywheel Nut |
| 100 | 34443B | 1 | Solid State Ignition |
| 101 | 610118 | 1 | Spark Plug Cover |
| 102 | 651024 | 2 | Solid State Mounting Stud |
| 103 | 651007 | 2 | Screw, Torx T-15, 10-24 x 15/16" |
| 110 | 35182 | 1 | Ground Wire |
| 119 | 36437 | 1 | * Cylinder Head Gasket |
| 120 | 36438 | 1 | Cylinder Head (Incl. 119 & 130) |
| 125 | 36471 | 1 | Exhaust Valve (Std.) (Incl. 151) |
| 125 | 36472 | 1 | Exhaust Valve (1/32" OS) (Incl. 151) |
| 126 | 29314B | 1 | Intake Valve (Std.) (Incl. 151) |

| Ref # | Part Number | Qty | Description |
|-------|-------------|-----|--|
| 126 | 29315C | 1 | Intake Valve (1/32" OS) (Incl. 151) |
| 130A | 6021A | 3 | Screw, 5/16-18 x 1-1/2" |
| 130 | 650694A | 5 | Screw, 5/16-18 x 2" |
| 135 | 33636 | 1 | Resistor Spark Plug (RJ17LM) |
| 150 | 31672 | 2 | Valve Spring |
| 151 | 31673 | 2 | Valve Spring Cap |
| 169 | 27234A | 2 | * Valve Cover Gasket |
| 170 | 27666 | 1 | Breather Body |
| 171 | 31410 | 1 | Breather Element |
| 172 | 34146 | 1 | Valve Cover |
| 173 | 32447 | 1 | Breather Tube |
| 173A | 32446 | 1 | Breather Tube Grommet |
| 174 | 650783 | 2 | Screw, 10-24 x 3/4" |
| 178 | 29752 | 2 | Nut & Lock Washer, 1/4-28 |
| 182 | 6201 | 2 | Screw, 1/4-28 x 7/8" |
| 184 | 26756 | 1 | * Carburetor-to-Intake Pipe Gasket |
| 185 | 28416A | 1 | Intake Pipe |
| 186 | 31858 | 1 | Governor Link |
| 200 | 36677 | 1 | Control Bracket (Incl. 203 thru 209B & 212 thru 217) |
| 203 | 31342 | 1 | Compression Spring |
| 204 | 651029 | 1 | Screw, Torx T-10, 5-40 x 7/16" |
| 206 | 610973 | 1 | Terminal |
| 209A | 30322 | 2 | Lock Nut, 8-32 |
| 209 | 650139 | 2 | Screw, 8-32 x 3/4" |
| 215 | 32410 | 1 | Control Knob |
| 223 | 650664 | 1 | Screw, 1/4-20 x 1-19/32" |
| 223A | 650840 | 1 | Screw, 1/4-20 x 1-7/32" |
| 224 | 26754A | 1 | * Intake Pipe Gasket |
| 238 | 650152 | 2 | Screw, 8-32 x 3/8" |
| 239 | 27272A | 1 | * Air Cleaner Gasket |
| 242 | 31708 | 1 | Air Cleaner Base |
| 243 | 28820 | 2 | Screw, 10-32 x 1/2" |
| 245 | 30727 | 1 | Air Cleaner Filter |
| 250 | 31715 | 1 | Air Cleaner Cover |
| 260 | 35585 | 1 | Blower Housing |
| 262 | 650737 | 2 | Screw, 1/4-20 x 1/2" |
| 267 | 34212 | 1 | Hold Down Bracket |
| 268 | 30200 | 1 | Screw, 10-24 x 9/16" |
| 275 | 40001 | 1 | Muffler (W/Catalyst) |
| 277 | 650988 | 2 | Screw, 1/4-20 x 2-5/16" |
| 285 | 36467A | 1 | Starter Cup |
| 287 | 650926 | 2 | Screw, 8-32 x 21/64" |
| 290 | 30705 | 1 | Fuel Line |
| 291 | 29774 | 1 | Fuel Line |
| 292 | 26460 | 4 | Fuel Line Clamp |
| 295 | 35857 | 1 | Fuel Shut-Off Valve |
| 298 | 650665 | 2 | Screw, 1/4-15 x 7/8" |
| 300 | 35584 | 1 | Fuel Tank (Incl. 292 & 301) |
| 301 | 36246 | 1 | Fuel Cap |
| 311 | 27625 | 2 | Oil Fill Plug |
| 313 | 34080 | 1 | Spacer |
| 340 | 36247 | 1 | Fuel Tank Bracket |
| 342 | 650751 | 1 | Screw, 1/4-20 x 7/16" |
| 345 | 33344 | 1 | Heat Baffle |
| 370B | 35703 | 1 | Control Decal |

| Ref # | Part Number | Qty | Description |
|-------|-------------|-----|--|
| 370A | 36261 | 1 | Lubrication Decal |
| 370K | 36695 | 1 | Starter Decal |
| 380 | 640056 | 1 | Carburetor (Incl. 184) |
| 390 | 590732 | 1 | Rewind Starter (NOTE: This engine could have been built with 590738 starter). |
| 400 | 36439 | 1 | * Gasket Set (Incl. items marked PK in notes) Incl. part #'s 26754A (1), 26756 (1), 27234A (2), 27272A (1), 27677A (1), 29673 (1), 30081A (1), 31688A (1), 32649A (1), 36437 (1) |
| 420 | 730225 | 1 | SAE 30 4-Cycle Engine Oil (Quart) |

ILLUSTRATION SHOWS TYPICAL PARTS ONLY. ORDER BY PART NUMBER. PARTS NOT LISTED ARE SUPPLIED BY OEM.

VIEW 2 OF 2



OPTIONAL 110 - 120 VOLT
STARTER MOTOR KIT



396

| Ref # | Part Number | Qty | Description |
|-------|-------------|-----|--|
| 16 | 31510 | 1 | Governor Lever |
| 17 | 31335 | 1 | Governor Lever Clamp |
| 18 | 651018 | 1 | Screw, Torx T-15, 8-32 x 19/64" |
| 178 | 29752 | 2 | Nut & Lock Washer, 1/4-28 |
| 200 | 36677 | 1 | Control Bracket (Incl. 203 thru 209B & 212 thru 217) |
| 203 | 31342 | 1 | Compression Spring |
| 204 | 651029 | 1 | Screw, Torx T-10, 5-40 x 7/16" |
| 206 | 610973 | 1 | Terminal |
| 209 | 650139 | 2 | Screw, 8-32 x 3/4" |
| 209B | 36691 | 1 | Lock Nut |
| 209A | 30322 | 2 | Lock Nut, 8-32 |
| 212 | 36689 | 1 | Speed Control Lever Bushing |
| 212A | 36688 | 1 | Bearing Plate |
| 212C | 650953 | 1 | Screw, 10-32 x 1/2" |
| 212B | 650583 | 1 | Washer |
| 216 | 36690 | 1 | R.P.M. Adjusting Lever |
| 217 | 36687 | 1 | Speed Control Lever |
| 238 | 650152 | 2 | Screw, 8-32 x 3/8" |
| 242 | 31708 | 1 | Air Cleaner Base |
| 245 | 30727 | 1 | Air Cleaner Filter |
| 250 | 31715 | 1 | Air Cleaner Cover |
| 275 | 40001 | 1 | Muffler (W/Catalyst) |
| 277 | 650988 | 2 | Screw, 1/4-20 x 2-5/16" |
| 370A | 36261 | 1 | Lubrication Decal |
| 380 | 640056 | 1 | Carburetor (Incl. 184) |