

ILLUSTRATION SHOWS TYPICAL PARTS ONLY. ORDER BY PART NUMBER. PARTS NOT LISTED ARE SUPPLIED BY OEM.

VIEW 1 OF 2



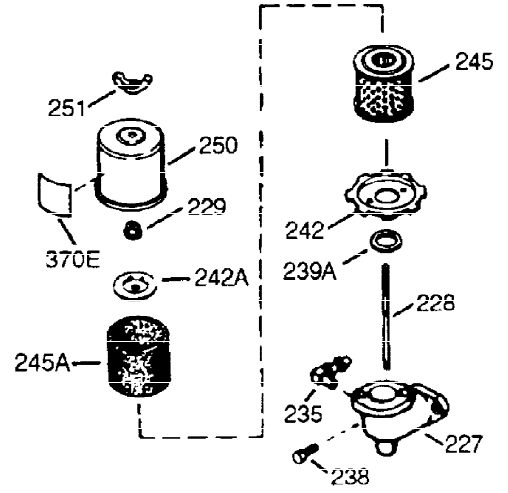
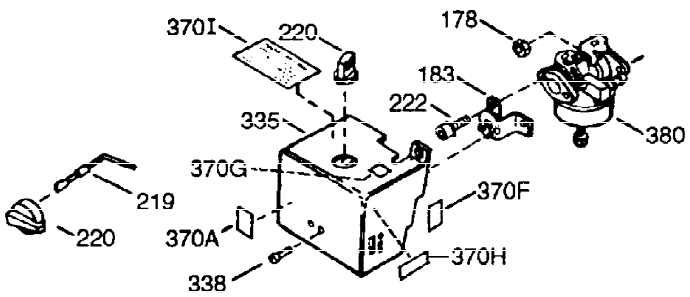
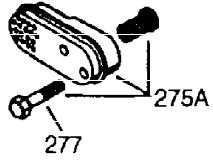
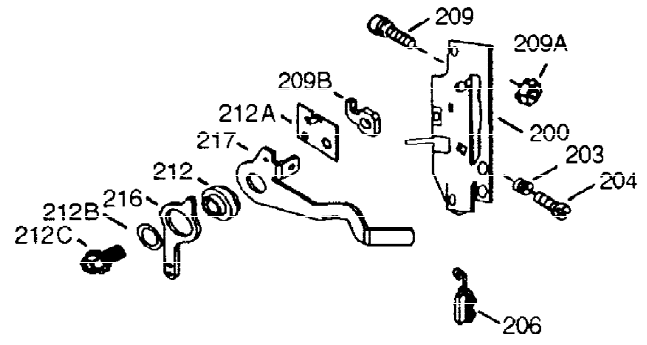
Ref #	Part Number	Qty	Description
1	36562	1	Cylinder (Incl. 2,20,72 & 125)
2	26727	2	Dowel Pin
14	28277	1	Washer
15	31334	1	Governor Rod
16	37729	1	Governor Lever
17	29916	1	Governor Lever Clamp
18	651028	1	Screw, T-15, 8-32 x 19/64"
19	31426	1	Extension Spring
19D	33857	1	Extension Spring Ass'y. (Incl. 213)
20	32600	1	Oil Seal
25	36552	1	Blower Housing Baffle (Incl. 262)
25A	35883	1	Baffle Extension
26	650802	2	Screw, 1/4-20 x 5/8"
26A	650926	1	Screw, 8-32 x 21/64"
30	35133	1	Crankshaft
37A	30322	1	Lock Nut, 8-32
40	40020	1	Piston, Pin & Ring Set (Std.)
40	40021	1	Piston, Pin & Ring Set (.010" OS)
41	40018	1	Piston & Pin Ass'y. (Std.) (Incl. 43)
41	40019	1	Piston & Pin Ass'y. (.010" OS) (Incl. 43)
42	40022	1	Ring Set (Std.)
42	40023	1	Ring Set (.010" OS)
43	20381	2	Piston Pin Retaining Ring
45	32875A	1	Connecting Rod Ass'y. (Incl. 46 & 49)
46	32610A	2	Connecting Rod Bolt
48	27241	2	Valve Lifter
49	32654	1	Oil Dipper
50	32197A	1	Camshaft (MCR)
60	29745	1	Blower Housing Extension
62	650760	1	Screw, 8-32 X 3/8"
63	28545	1	Grommet
65	650128	1	Screw, 10-24 X 1/2"
69	27677A	1	* Cylinder Cover Gasket
70	32700B	1	Cylinder Cover (Incl. 75 thru 83,311)
72A	28582	1	Oil Drain Plug
72	27642	1	Oil Drain Plug
75	27897	1	Oil Seal
80	30574A	1	Governor Shaft
81	30590A	1	Washer
82	30591	1	Governor Gear Assembly (Incl. 81)
83	30588A	1	Governor Spool
86	650488	7	Screw, 1/4-20 x 1-1/4"
89	610961	1	Flywheel Key
90	611195	1	Flywheel
92	650815	1	Belleville Washer
93	650816	1	Flywheel Nut
100	34443C	1	Solid State Ignition
101	610118	1	Spark Plug Cover
102	651024	1	Solid State Mounting Stud
103A	650767	1	Screw, 8-32 x 27/64"
103	651007	2	Screw, T-15, 10-24 X 15/16"
110B	37602	1	Ground Wire
110A	37798	1	Ground Wire
110	37601	1	Ground Wire
111A	611224	1	Rocker Switch (on/off)

Ref #	Part Number	Qty	Description
119	36437	1	* Cylinder Head Gasket
120	36438	1	Cylinder Head (Incl. 130)
125	36471	1	Exhaust Valve (Std.) (Incl. 151)
125	36472	1	Exhaust Valve (1/32" OS) (Incl. 151)
126	29314C	1	Intake Valve (Std.) (Incl. 151)
130	6021A	3	Screw, 5/16-18 x 1-1/2"
131	650694A	5	Screw, 5/16-18 x 2"
135	33636	1	Resistor Spark Plug (RJ17LM)
150	31672	2	Valve Spring
151A	40016A	1	Intake Valve Seal
151	31673	2	Valve Spring Cap
169	27234A	2	* Valve Cover Gasket
170	27666	1	Breather Body
171	31410	1	Breather Element
172	34146	1	Valve Cover
173	32447	1	Breather Tube
173A	32446	1	Breather Tube Grommet
174	650783	2	Screw, 10-24 x 3/4"
178	29752	2	Nut & Lock Washer, 1/4-28
181	6201	2	Screw, 1/4-28 x 7/8"
184	26756	1	* Carburetor-to-Intake Pipe Gasket
185	28416A	1	Intake Pipe
186	37728	1	Governor Link
200	730136A	1	Control Bracket (Incl. 19,203 thru 21 1)
203	31342	1	Compression Spring
204	651029	1	Screw, T-10, 5-40 x 7/16"
210	27793	1	Conduit Clip
211	28942	1	Screw, 10-32 x 3/8"
213	28942	1	Screw, 10-32 x 3/8"
223A	650840	1	Screw, 1/4-20 x 1-7/32"
223	650664	1	Screw, 1/4-20 x 1-19/32"
224	26754A	1	* Intake Pipe Gasket
238	28820	2	Screw, 10-32 x 1/2"
239	27272A	1	* Air Cleaner Gasket
242	31708	1	Air Cleaner Base
243	650152	2	Screw, 8-32 x 3/8"
245	30727	1	Air Cleaner Filter
250	31715	1	Air Cleaner Cover
260	35657A	1	Blower Housing
262	650737	2	Screw, 1/4-20 x 1/2"
267	34212	1	Hold Down Bracket
268	30200	1	Screw, 10-24 x 9/16"
275	40001A	1	Muffler (W/Catalyst)
277	650988	2	Screw, 1/4-20 x 2-9/32"
280A	650488	1	Screw, 1/4-20 x 1-1/4"
280	37633	1	Heat Shield
285	36467B	1	Starter Cup
287	650926	2	Screw, 8-32 x 21/64"
290	30962	1	Fuel Line
292	26460	2	Fuel Line Clamp
298	650665	2	Screw, 1/4-15 x 7/8"
300	35591	1	Fuel Tank (Incl. 292 & 301)
301	37845	1	Fuel Cap
313	34080	1	Spacer
325	27275	1	Wire Clip

Ref #	Part Number	Qty	Description
340	35230	1	Fuel Tank Bracket
342	650751	1	Screw, 1/4-20 x 7/16"
370K	36695	1	Starter Decal
370A	36261	1	Instruction Decal
380	640056	1	Carburetor (Incl. 184)
390	590732A	1	Rewind Starter
400	36439	1	* Gasket Set (Incl. items marked PK i n notes)
420	730225A	1	SAE 30 4-Cycle Engine Oil (Quart)

ILLUSTRATION SHOWS TYPICAL PARTS ONLY. ORDER BY PART NUMBER. PARTS NOT LISTED ARE SUPPLIED BY OEM.

VIEW 2 OF 2



OPTIONAL 110 - 120 VOLT
STARTER MOTOR KIT



396

Ref #	Part Number	Qty	Description
16	37729	1	Governor Lever
17	29916	1	Governor Lever Clamp
18	651028	1	Screw, T-15, 8-32 x 19/64"
35	29826	1	Screw, 10-32 x 3/4"
36	29918	1	Lock Washer
37A	30322	1	Lock Nut, 8-32
37	29216	1	Lock Nut, 10-32
38	29642	1	Retaining Ring
103A	650767	1	Screw, 8-32 x 27/64"
110B	37602	1	Ground Wire
110A	37798	1	Ground Wire
111A	611224	1	Rocker Switch (on/off)
131	650694A	5	Screw, 5/16-18 x 2"
151A	40016A	1	Intake Valve Seal
178	29752	2	Nut & Lock Washer, 1/4-28
181	6201	2	Screw, 1/4-28 x 7/8"
200	730136A	1	Control Bracket (Incl. 19,203 thru 21 1)
203	31342	1	Compression Spring
204	651029	1	Screw, T-10, 5-40 x 7/16"
238	28820	2	Screw, 10-32 x 1/2"
242	31708	1	Air Cleaner Base
245	30727	1	Air Cleaner Filter
245A	35974	1	Air Cleaner Filter
250	31715	1	Air Cleaner Cover
275	40001A	1	Muffler (W/Catalyst)
277	650988	2	Screw, 1/4-20 x 2-9/32"
280	37633	1	Heat Shield
280A	650488	1	Screw, 1/4-20 x 1-1/4"
370A	36261	1	Instruction Decal
380	640056	1	Carburetor (Incl. 184)
416	36085	1	Spark Arrestor Kit (Incl. 417)(Optional)
417	650760	1	Screw, 8-32 x 3/8" (Optional)