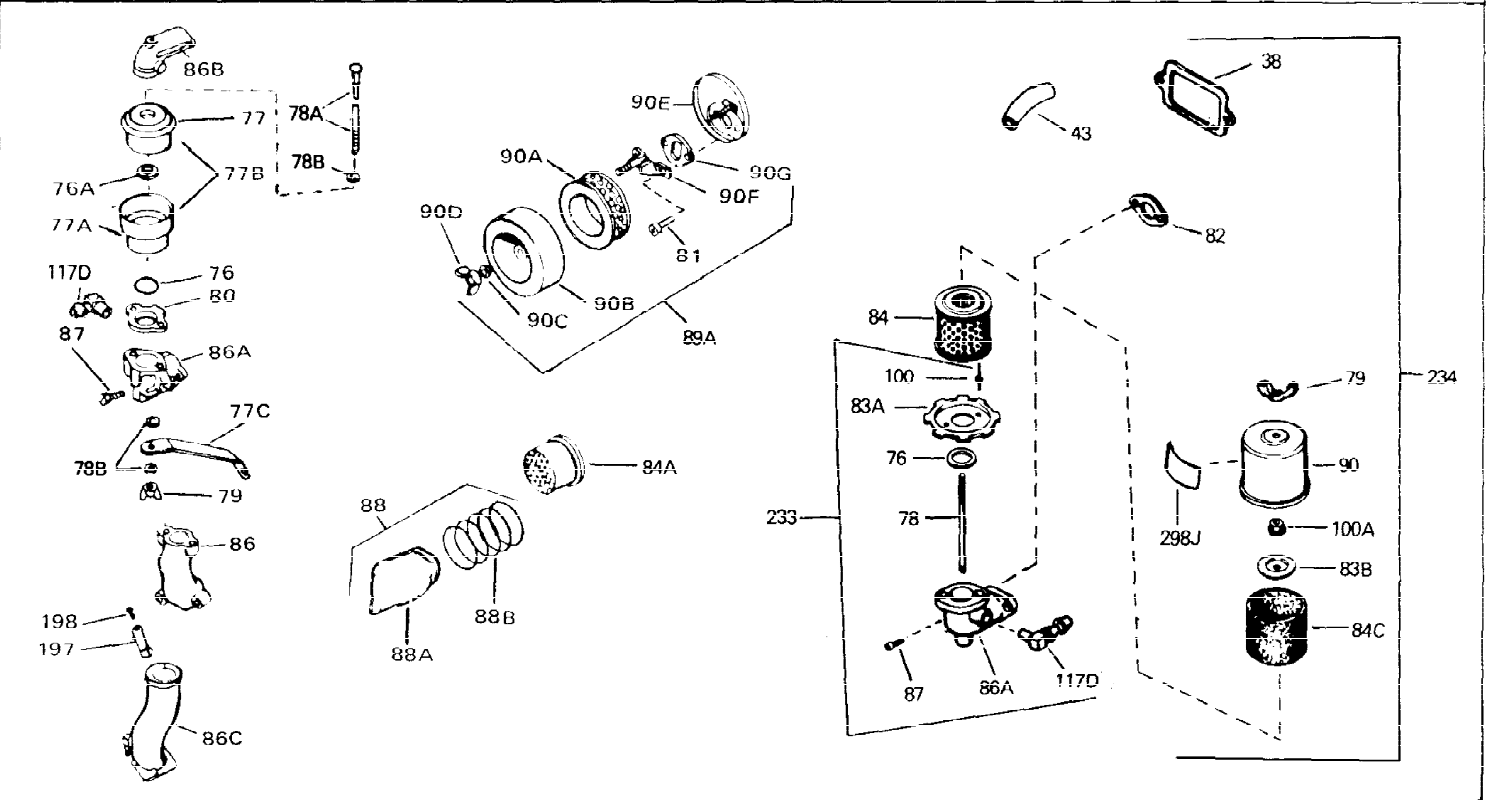
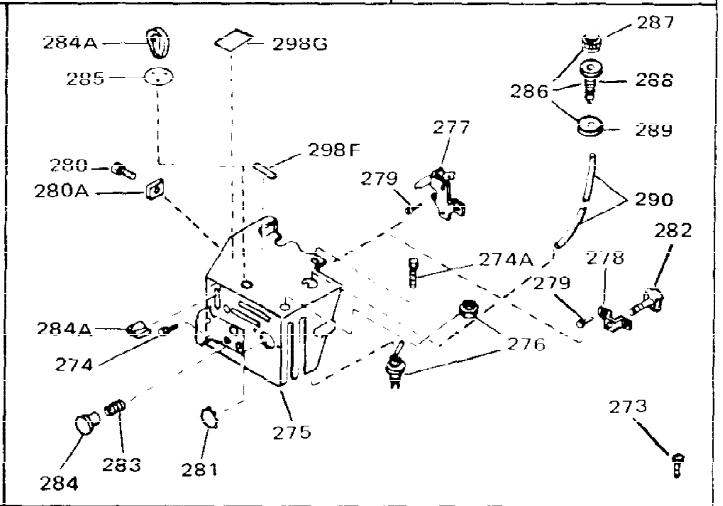
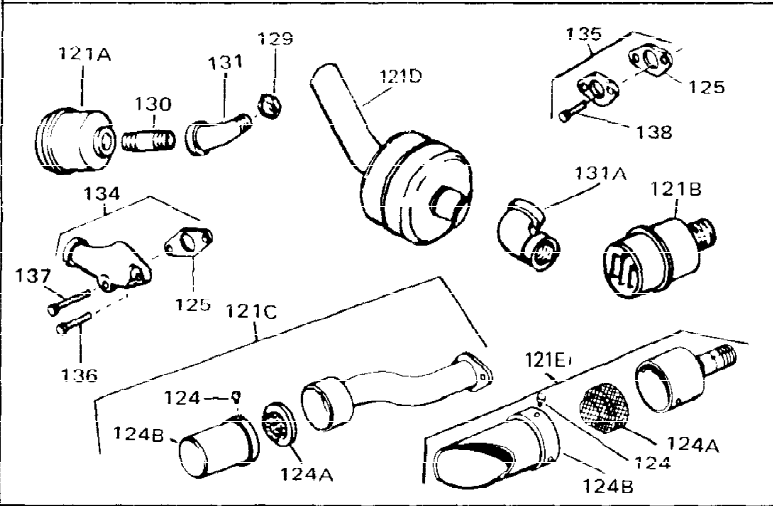
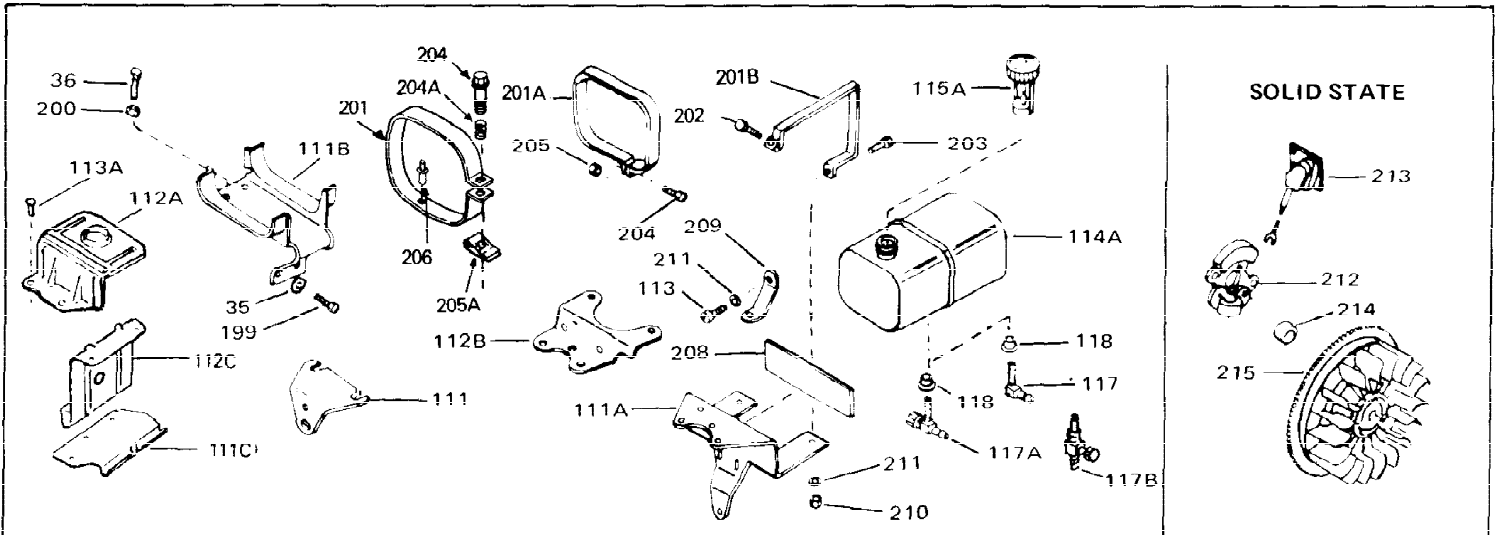


| Ref # | Part Number | Qty | Description |
|-------|-------------|-----|--|
| 1 | 33311B | 0 | Cylinder Assy. (2-5/8" Bore) |
| 2 | 27652 | 0 | Pin, Dowel |
| 3 | 27642 | 0 | Plug, Drain |
| 4 | 27876B | 0 | Seal, Oil |
| 5 | 27877A | 0 | Valve, Intake (Standard) |
| 5 | 27880A | 0 | Valve, Intake (1/32" oversize) |
| 6 | 27878A | 0 | Valve, Intake (Standard) |
| 6 | 27880A | 0 | Valve, Intake (1/32" oversize) |
| 7 | 27882 | 0 | Cap, Upper valve spring |
| 8A | 27881 | 0 | Spring, Valve |
| 8 | 27881 | 0 | Spring, Valve |
| 9A | 32581 | 0 | Cap, Lower valve spring |
| 9 | 32581 | 0 | Cap, Lower valve spring |
| 11 | 31826 | 0 | Crankshaft Assy. |
| 12 | 29783 | 0 | Pin, Crankshaft gear |
| 13 | 27884 | 0 | Gear, Crankshaft |
| 14A | 33312B | 0 | Piston & Pin Assy. (Std.) (2-5/8") |
| 14A | 33313B | 0 | Piston & Pin Assy. (.010 oversize) |
| 14A | 33314B | 0 | Piston & Pin Assy. (.020 oversize) |
| 14 | 34531 | 0 | Piston, Pin & Ring Assy. (Std.) (2-5/8") |
| 14 | 34532 | 0 | Piston, Pin & Ring Assy. (.010 oversize) |
| 14 | 34533 | 0 | Piston, Pin & Ring Assy. (.020 oversize) |
| 15 | 33315 | 0 | Ring Set, Piston (Std.) (2-5/8") |
| 15 | 33316 | 0 | Ring Set, Piston (.010 oversize) |
| 15 | 33317 | 0 | Ring Set, Piston (.020 oversize) |
| 16 | 27888 | 0 | Ring, Piston pin retaining |
| 17 | 31295C | 0 | Rod Assy., Connecting |
| 18A | 30682 | 0 | Bolt, Connecting rod |
| 18 | 650662B | 0 | Bolt, Connecting rod |
| 19 | 26073 | 0 | Washer, Connecting rod bolt |
| 20 | 28264 | 0 | Nut |
| 21 | 33156 | 0 | Camshaft (Compression release) |
| 22 | 34034 | 0 | Lifter, Valve |
| 23 | 31451A | 0 | Cover, Cylinder |
| 24 | 28460 | 0 | Seal, Oil |
| 26 | 30684 | 0 | Gasket, Mounting flange |
| 28 | 650488 | 0 | Screw |
| 29 | 650493 | 0 | Screw, Hex hd. Sems, 1/4-20 x 1-3/4 |
| 30 | 650489 | 0 | Screw |
| 30 | 650516 | 0 | Screw |
| 31 | 30939A | 0 | Cover, Cylinder head |
| 32 | 28938B | 0 | Gasket, Cylinder head |
| 33 | 30938A | 0 | Head, Cylinder |
| 34 | 33636 | 0 | Plug, Spark (Champion J-8 or equivalent) |
| 34 | 34251 | 0 | Resistor Spark Plug |
| 35 | 26073 | 0 | Washer, Connecting rod bolt |
| 35 | 650570 | 0 | Washer, Flat |
| 35 | 650691 | 0 | Washer, Flat |
| 36 | 650694A | 0 | Screw, Hex flange hd., 5/16-18 x 2 |
| 36 | 650695A | 0 | Screw, Hex flange hd., 5/16-18 x 2-1/4 |
| 36 | 650697A | 0 | Screw, Hex flange hd., 5/16-18 x 2-1/2 |
| 37 | 650128 | 0 | Screw |
| 37 | 650597 | 0 | Screw, Hex washer hd., 10-24 x 5/8 |
| 38 | 27896 | 0 | Gasket, Breather cover |
| 39 | 28423 | 0 | Body, Breather |

| Ref # | Part Number | Qty | Description |
|-------|-------------|-----|--|
| 40 | 28424 | 0 | Element, Breather |
| 41 | 28425 | 0 | Cover, Valve chamber |
| 43 | 27627 | 0 | Tube, Breather |
| 45 | 27915 | 0 | Gasket, Intake pipe |
| 46 | 30195A | 0 | Flange, Carburetor |
| 48 | 30196 | 0 | Screw |
| 49 | 29918 | 0 | Lockwasher |
| 50 | 650548 | 0 | Screw, Hex washer hd., 8-32 x 5/16 |
| 51 | 30319 | 0 | Rivet, Split |
| 52 | 32326A | 0 | Lever, Governor |
| 53 | 30322 | 0 | Nut & Lockwasher |
| 54 | 29916 | 0 | Clamp, Governor lever |
| 55 | 30205 | 0 | Bracket, Adjusting |
| 56 | 30206 | 0 | Link, Throttle |
| 58 | 29216 | 0 | Nut |
| 59 | 29752 | 0 | Nut |
| 60 | 650572 | 0 | Screw |
| 61 | 29826 | 0 | Screw |
| 62 | 29642 | 0 | Ring, Retaining |
| 63 | 30699B | 0 | Rod Assy., Governor |
| 63A | 30699C | 0 | Rod Assy., Governor |
| 64 | 30700 | 0 | Yoke, Governor |
| 65 | 650494 | 0 | Screw |
| 66A | 31297 | 0 | Dipstick, Oil |
| 68 | 29673 | 0 | Gasket, Filler plug |
| 69 | 29747A | 0 | Screw |
| 70 | 32158D | 0 | Housing, Blower (5.56 Dia. starter mtg. bolt |
| 73 | 29536 | 0 | Baffle, Blower housing |
| 74 | 650561 | 0 | Screw |
| 75 | 31688 | 0 | Gasket, Carburetor (1/8 thick) |
| 81 | 28820 | 0 | Screw |
| 81 | 30196 | 0 | Screw |
| 81 | 650521 | 0 | Screw |
| 81A | 650152 | 0 | Screw |
| 82 | 27272 | 0 | Gasket, Air cleaner |
| 83 | 31691 | 0 | Bracket, Air cleaner |
| 84B | 30727 | 0 | Element, Air cleaner |
| 85 | 31715 | 0 | Body, Air cleaner |
| 89 | 730127 | 0 | Cleaner Assy., Air (Poly) |
| 98 | 28569 | 0 | Spring, Compression |
| 98 | 31342 | 0 | Spring, Compression |
| 98 | 32924 | 0 | Spring, Compression |
| 99 | 29500 | 0 | Screw, Fil. hd. mach., Sems, 8-32 x 3/4 |
| 99 | 650549 | 0 | Screw |
| 99 | 650688 | 0 | Screw, Hex hd., 10-32 x 1-5/16" (Drilled |
| 102 | 30884 | 0 | Key, Flywheel |
| 103 | 31843A | 0 | Bracket, Governor |
| 104 | 650836 | 0 | Screw, Hex washer hd. thread forming, 10-24 |
| 105 | 31845 | 0 | Shaft, Mechanical governor |
| 106 | 30590A | 0 | Washer, Flat |
| 107 | 30591 | 0 | Gear Assy., Governor |
| 108 | 30588A | 0 | Spool, Governor |
| 109 | 29193 | 0 | Ring, Retaining |
| 113 | 30688 | 0 | Screw, Hex hd. Sems, 1/4-20 x 1/2 |
| 115 | 33032 | 0 | Cap, Fuel filler (Red Plastic) (Spurt |

| Ref # | Part Number | Qty | Description |
|-------|-------------|-----|--|
| 115 | 34210 | 0 | Cap, Fuel filler (Red Plastic) (Spurt |
| 115 | 410144B | 0 | Cap, Fuel filler (White Plastic) (Std.) |
| 119 | 29774 | 0 | Line, Fuel (Braided 8.25") |
| 119 | 30705 | 0 | Line, Fuel (Braided 16") |
| 119 | 30962 | 0 | Line, Fuel (Braided 32") |
| 120 | 26460 | 0 | Clamp, Fuel line |
| 125 | 27930 | 0 | Gasket, Exhaust |
| 126 | 30196 | 0 | Screw |
| 132 | 650139 | 0 | Screw |
| 132 | 650548 | 0 | Screw, Hex washer hd., 8-32 x 5/16 |
| 144 | 650542 | 0 | Screw, Hex hd. cap, 5/16 18 x 13/16 |
| 146 | 29538 | 0 | Base, Mounting |
| 147 | 650128 | 0 | Screw |
| 148 | 30622 | 0 | Extension, Blower housing |
| 149A | 30747 | 0 | Clip, Shorting |
| 150 | 16645 | 0 | Lockwasher |
| 186 | 27275 | 0 | Clip, Hi-tension wire |
| 186 | 29443 | 0 | Clip, Fuel line |
| 186 | 33685 | 0 | Clip, Hi-tension wire |
| 193 | 27276 | 0 | Cover, Spark plug |
| 229 | 28942 | 0 | Screw |
| 230 | 27793 | 0 | Clip, Conduit |
| 232 | 28468 | 0 | Wire, Ground (Female fitting both ends) |
| 244 | 31793 | 0 | Bearing, Ball |
| 245 | 31792 | 0 | Washer, Thrust |
| 246 | 31855 | 0 | Retainer, Bearing |
| 247 | 650778 | 0 | Washer, Lock |
| 248 | 650580 | 0 | Nut, Lock |
| 262 | 29716 | 0 | Screw |
| 264 | 32125 | 0 | Cup, Starter |
| 265 | 590417 | 0 | Screen, Starter cup |
| 266 | 650815 | 0 | Washer, Belleville |
| 267 | 8115 | 0 | Nut, Hex |
| 298B | 31752 | 0 | Decal, Air cleaner |
| 298 | 34346 | 0 | Decal, Instruction |
| 298A | 31517 | 0 | Decal, H.P. (5 H.P.) |
| 298A | 32173 | 0 | Decal, H.P. (6 H.P.) |
| 298A | 33310 | 0 | Decal, Mini-Bike (5 H.P.) |
| 298A | 34316 | 0 | Decal, Name |
| 299 | 30547A | 0 | Contact Assy., Breaker |
| 300 | 30548B | 0 | Condenser |
| 301 | 631021 | 0 | Inlet Needle, Seat & Clip Assy. |
| 303 | 631067A | 0 | Carburetor |
| 304 | 610826 | 0 | Magneto, Tecumseh Alternator (w/ring gear) |
| 306 | 590420 | 0 | Starter, Rewind |
| 310 | 33235 | 0 | Gasket Set |



| Ref # | Part Number | Qty | Description |
|-------|-------------|-----|--|
| 35 | 26073 | 0 | Washer, Connecting rod bolt |
| 35 | 650570 | 0 | Washer, Flat |
| 35 | 650691 | 0 | Washer, Flat |
| 36 | 650694A | 0 | Screw, Hex flange hd., 5/16-18 x 2 |
| 36 | 650695A | 0 | Screw, Hex flange hd., 5/16-18 x 2-1/4 |
| 36 | 650697A | 0 | Screw, Hex flange hd., 5/16-18 x 2-1/2 |
| 38 | 27896 | 0 | Gasket, Breather cover |
| 43 | 27627 | 0 | Tube, Breather |
| 81 | 28820 | 0 | Screw |
| 81 | 30196 | 0 | Screw |
| 81 | 650521 | 0 | Screw |
| 82 | 27272 | 0 | Gasket, Air cleaner |
| 86A | 34697 | 0 | Elbow, Air cleaner |
| 89A | 730128 | 0 | Cleaner Assy., Air |
| 113 | 30688 | 0 | Screw, Hex hd. Sems, 1/4-20 x 1/2 |
| 117B | 33053 | 0 | Valve, Fuel strainer & shut-off |
| 121E | 391026 | 0 | Muffler |
| 121C | 33335 | 0 | Muffler |
| 124A | 33171 | 0 | Screen, Muffler |
| 124B | 33185 | 0 | Cover & Tube, Muffler |
| 124 | 650578 | 0 | Screw |
| 125 | 27930 | 0 | Gasket, Exhaust |
| 134 | 31288 | 0 | Muffler Adapter Kit |
| 135 | 730130 | 0 | Muffler Adapter Kit |
| 136 | 6021A | 0 | Screw, Hex flange hd., 5/16-18 x 1-1/2 |
| 137 | 650697A | 0 | Screw, Hex flange hd., 5/16-18 x 2-1/2 |
| 138 | 30196 | 0 | Screw |
| 233 | 34819 | 0 | Elbow Assy., Air cleaner |
| 234 | 730561 | 0 | Air Cleaner Kit, Dual Element upright, |
| 273 | 650687 | 0 | Screw, Pan hd. self-tap, 10-32 x 5/16 |



| Ref # | Part Number | Qty | Description |
|-------|-------------|-----|--|
| 36 | 650694A | 0 | Screw, Hex flange hd., 5/16-18 x 2 |
| 36 | 650695A | 0 | Screw, Hex flange hd., 5/16-18 x 2-1/4 |
| 36 | 650697A | 0 | Screw, Hex flange hd., 5/16-18 x 2-1/2 |
| 37 | 650128 | 0 | Screw |
| 37 | 650597 | 0 | Screw, Hex washer hd., 10-24 x 5/8 |
| 37A | 27261 | 0 | Washer, Flat |
| 41 | 28425 | 0 | Cover, Valve chamber |
| 56 | 30206 | 0 | Link, Throttle |
| 57 | 31879 | 0 | Link, Governor lever to bellcrank |
| 69 | 29747A | 0 | Screw |
| 91 | 30312 | 0 | Screw, Hex washer hd. Sems, 10-32 x 1/2 |
| 92 | 30712 | 0 | Lever, Bellcrank |
| 93A | 28562 | 0 | Bushing, Lever |
| 93 | 29530 | 0 | Bushing, Lever |
| 94A | 32977 | 0 | Spring, Torsion |
| 94 | 30202 | 0 | Spring, Extension |
| 95 | 30201A | 0 | Lever, Speed control |
| 96 | 30199A | 0 | Bracket, Speed control |
| 97 | 650399 | 0 | Screw, Phil. fil. hd. Sems, 10-32 x 5/8 |
| 97A | 33450 | 0 | Nut, Lock |
| 98 | 28569 | 0 | Spring, Compression |
| 98 | 31342 | 0 | Spring, Compression |
| 98 | 32924 | 0 | Spring, Compression |
| 99 | 29500 | 0 | Screw, Fil. hd. mach., Sems, 8-32 x 3/4 |
| 99 | 650549 | 0 | Screw |
| 99 | 650688 | 0 | Screw, Hex hd., 10-32 x 1-5/16" (Drilled |
| 182 | 32683 | 0 | Gasket, Fuel pump |
| 183 | 32955 | 0 | Cover, Fuel pump pad |
| 184 | 9556 | 0 | Plug, Oil drain (Sq. hd. pipe, 1/8-27) |
| 185 | 30688 | 0 | Screw, Hex hd. Sems, 1/4-20 x 1/2 |
| 221 | 28545 | 0 | Grommet, Plastic |
| 222 | 650643 | 0 | Screw |
| 223 | 33356 | 0 | Terminal, Ground |
| 225 | 730152 | 0 | Control Assy., Speed |
| 227 | 33177 | 0 | Terminal |
| 229 | 28942 | 0 | Screw |
| 230 | 27793 | 0 | Clip, Conduit |
| 262 | 29716 | 0 | Screw |
| 266 | 650815 | 0 | Washer, Belleville |
| 267 | 8115 | 0 | Nut, Hex |
| 305 | 33018 | 0 | Harness, Adapter |
| 306 | 590420 | 0 | Starter, Rewind |
| 308 | 32386 | 0 | Starter Motor Kit (110-120 Volt) |
| 308 | 32901 | 0 | Starter Motor Kit (110-120 Volt) |
| 308 | 33328 | 0 | Starter Motor Kit (110-120 Volt) |
| 308 | 33328A | 0 | Starter Motor Kit (110-120 Volt) |
| 308 | 33518 | 0 | Starter Motor Kit (110-120 Volt) |
| 308 | 33518A | 0 | Starter Motor Kit (110-120 Volt) |
| 308 | 33518B | 0 | Starter Motor Kit (110-120 Volt) |
| 309 | 30811A | 0 | Flywheel |