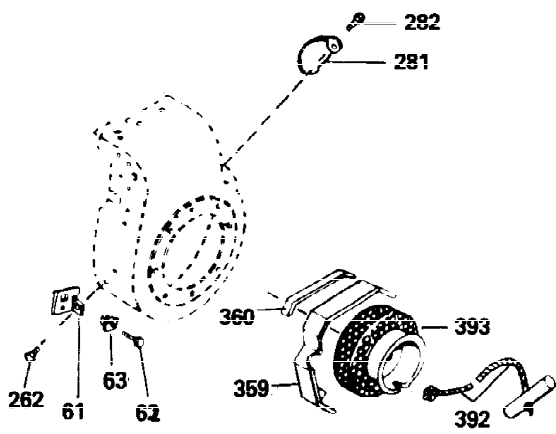
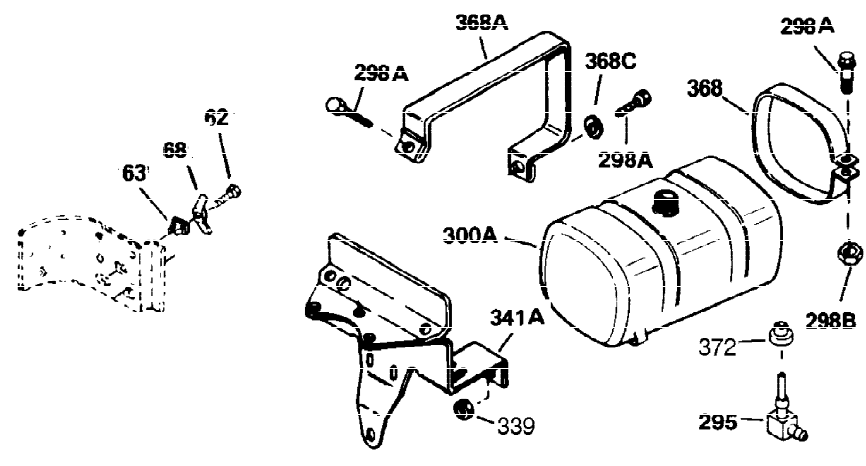
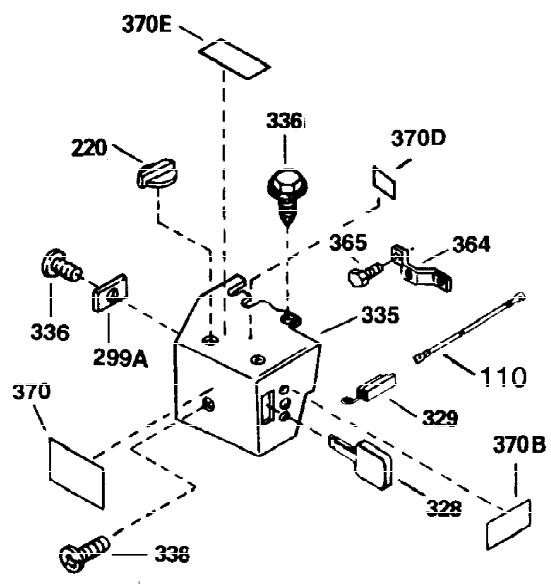




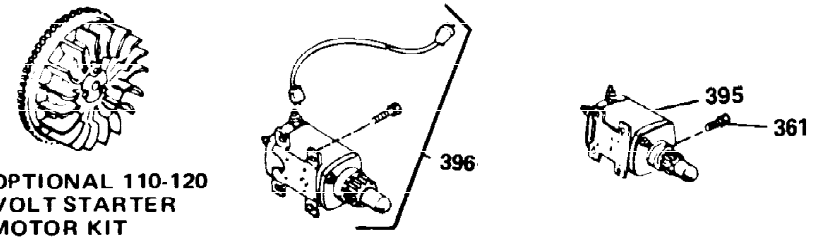
| Ref # | Part Number | Qty | Description                               |
|-------|-------------|-----|---|
| 1     | 34919B      | 1   | Cylinder (Incl. 2, 20 & 72)               |
| 2     | 27652       | 2   | Dowel Pin                                 |
| 15B   | 650494      | 1   | Screw, 6-40 x 5/16"                       |
| 15    | 30699C      | 1   | Governor Rod (Incl. 15A & 15B)            |
| 15A   | 30700       | 1   | Governor Yoke                             |
| 16    | 33454       | 1   | Governor Lever                            |
| 17    | 29916       | 1   | Governor Lever Clamp                      |
| 18    | 650548      | 1   | Screw, 8-32 x 5/16"                       |
| 19    | 34663       | 1   | Speed Control Spring                      |
| 20    | 32630       | 1   | Oil Seal                                  |
| 25    | 29536       | 1   | Blower Housing Baffle                     |
| 26    | 650561      | 2   | Screw, 1/4-20 x 5/8"                      |
| 28    | 30322       | 1   | Lock Nut, 8-32                            |
| 30    | 35228       | 1   | Crankshaft                                |
| 35    | 29826       | 1   | Screw, 10-32 x 3/4"                       |
| 36    | 29918       | 1   | Lock Washer                               |
| 37    | 29216       | 1   | Lock Nut, 10-32                           |
| 38    | 29642       | 1   | Retaining Ring                            |
| 40    | 34531       | 1   | Piston, Pin & Ring Set (Std.)             |
| 40    | 34532       | 1   | Piston, Pin & Ring Set (.010" OS)         |
| 40    | 34533       | 1   | Piston, Pin & Ring Set (.020" OS)         |
| 41    | 33312B      | 1   | Piston & Pin Ass'y. (Std.) (Incl. 43)     |
| 41    | 33313B      | 1   | Piston & Pin Ass'y. (.010" OS) (Incl. 43) |
| 41    | 33314B      | 1   | Piston & Pin Ass'y. (.020" OS) (Incl. 43) |
| 42    | 34854       | 1   | Ring Set (Std.)                           |
| 42    | 34855       | 1   | Ring Set (.010" OS)                       |
| 42    | 34856       | 1   | Ring Set (.020" OS)                       |
| 43    | 27888       | 2   | Piston Pin Retaining Ring                 |
| 45    | 31295C      | 1   | Connecting Rod Ass'y. (Incl. 46)          |
| 46    | 650662C     | 2   | Connecting Rod Bolt                       |
| 48    | 34034       | 2   | Valve Lifter                              |
| 50    | 33156       | 1   | Camshaft (BCR)                            |
| 60    | 30622A      | 1   | Blower Housing Extension                  |
| 65    | 650128      | 1   | Screw, 10-24 x 1/2"                       |
| 69    | 30684       | 1   | * Cylinder Cover Gasket                   |
| 70    | 31303B      | 1   | Cylinder Cover (Incl. 71, 75 & 80)        |
| 71    | 31546       | 1   | Crankshaft Bushing                        |
| 72    | 27642       | 2   | Oil Drain Plug                            |
| 75    | 28427       | 1   | Oil Seal                                  |
| 80    | 31845       | 1   | Governor Shaft                            |
| 81    | 30590A      | 1   | Washer                                    |
| 82    | 30591       | 1   | Governor Gear Ass'y. (Incl. 81)           |
| 83    | 30588A      | 1   | Governor Spool                            |
| 84    | 29193       | 1   | Retaining Ring                            |
| 86    | 650488      | 7   | Screw, 1/4-20 x 1-1/4"                    |
| 87    | 650493      | 1   | Screw, 1/4-20 x 1-3/4"                    |
| 89    | 32589       | 1   | Flywheel Key                              |
| 90    | 611084      | 1   | Flywheel                                  |
| 92    | 650815      | 1   | Belleville Washer                         |
| 93    | 8116        | 1   | Flywheel Nut                              |
| 100   | 34443A      | 1   | Solid State Ignition                      |
| 102   | 650872      | 2   | Solid State Mounting Stud                 |
| 103   | 650814      | 2   | Screw, Torx T-15, 10-24 x 1"              |
| 110   | 35187       | 1   | Ground Wire                               |
| 119   | 28938C      | 1   | * Cylinder Head Gasket                    |

| Ref # | Part Number | Qty | Description                           |
|-------|-------------|-----|---------------------------------------|
| 120   | 30938A      | 1   | Cylinder Head (Incl. 3 of 130)        |
| 125   | 27878A      | 1   | Exhaust Valve (Std.) (Incl. 151)      |
| 125   | 27880A      | 1   | Exhaust Valve (1/32" OS) (Incl. 151)  |
| 126   | 32783       | 1   | Intake Valve (Std.) (Incl. 151)       |
| 126   | 32784       | 1   | Intake Valve (1/32" OS) (Incl. 151)   |
| 127   | 650691      | 3   | Washer                                |
| 128   | 650690      | 3   | Belleville Washer                     |
| 130   | 650697A     | 5   | Screw, 5/16-18 x 2-1/2"               |
| 135   | 34251       | 1   | Resistor Spark Plug (RJ17LM)          |
| 139   | 31843A      | 1   | Governor Gear Bracket                 |
| 140   | 650965      | 2   | Screw, Torx T-25, 10-24 x 1/2"        |
| 149   | 27882       | 2   | Valve Spring Cap                      |
| 150   | 27881       | 2   | Valve Spring                          |
| 151   | 32581       | 2   | Valve Spring Keeper                   |
| 169   | 27896A      | 2   | * Valve Cover Gasket                  |
| 170   | 28423       | 1   | Breather Body                         |
| 171   | 28424       | 1   | Breather Element                      |
| 172   | 28425       | 1   | Valve Cover                           |
| 173   | 35350       | 1   | Breather Tube                         |
| 174   | 650128      | 2   | Screw, 10-24 x 1/2"                   |
| 182   | 650517      | 2   | Screw, 1/4-20 x 27/32"                |
| 184   | 31688A      | 1   | * Carburetor To Intake Pipe Gasket    |
| 186   | 34661       | 1   | Governor Link                         |
| 200   | 34677       | 1   | Control Bracket (Incl. 19, 203 & 204) |
| 203   | 31342       | 1   | Compression Spring                    |
| 204   | 650549      | 1   | Screw, 5-40 x 7/16"                   |
| 206   | 610973      | 1   | Terminal                              |
| 207   | 34662       | 1   | Throttle Link                         |
| 209   | 650821      | 2   | Screw, 10-32 x 1/2"                   |
| 215   | 32410       | 1   | Control Knob                          |
| 224   | 27915A      | 1   | * Intake Pipe Gasket                  |
| 238   | 28820       | 2   | Screw, 10-32 x 1/2"                   |
| 239   | 27272A      | 1   | * Air Cleaner Gasket                  |
| 242   | 31691       | 1   | Air Cleaner Bracket                   |
| 243   | 650152      | 2   | Screw, 8-32 x 3/8"                    |
| 245   | 30727       | 1   | Air Cleaner Filter                    |
| 250   | 31715       | 1   | Air Cleaner Cover                     |
| 260   | 35887       | 1   | Blower Housing                        |
| 262   | 29747B      | 2   | Screw, Torx T-40, 5/16-24 x 21/32"    |
| 265   | 30939A      | 1   | Cylinder Head Cover                   |
| 269   | 35865       | 1   | * Exhaust Manifold Gasket             |
| 272   | 30196       | 2   | Screw, 5/16-18 x 3/4"                 |
| 273   | 34712       | 1   | Carburetor Flange                     |
| 275   | 35275       | 1   | Muffler                               |
| 277   | 650694A     | 1   | Screw, 5/16-18 x 2"                   |
| 277A  | 30196       | 1   | Screw, 5/16-18 x 3/4"                 |
| 279B  | 26073       | 1   | Washer                                |
| 285   | 32125       | 1   | Starter Cup                           |
| 287   | 650884      | 3   | Screw, 8-32 x 1/2"                    |
| 290   | 29774       | 1   | Fuel Line                             |
| 292   | 26460       | 1   | Fuel Line Clamp                       |
| 298   | 650665      | 2   | Screw, 1/4-15 x 3/4"                  |
| 300   | 34156A      | 1   | Fuel Tank (Incl. 292 & 301)           |
| 301   | 35355       | 1   | Fuel Cap                              |
| 305   | 35554       | 1   | Oil Fill Tube                         |

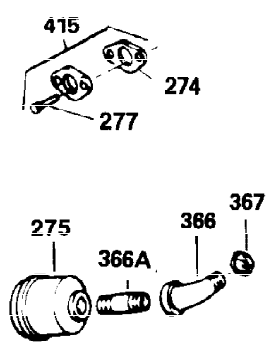
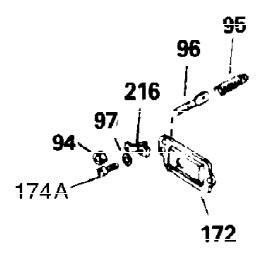
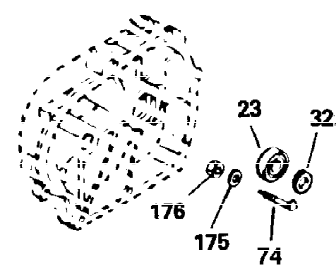
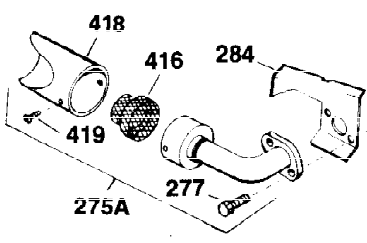
| Ref # | Part Number | Qty | Description   |
|-------|-------------|-----|---|
| 307   | 35499       | 1   | "O" Ring  |
| 308   | 35540       | 1   | Fill Tube Clip  |
| 310   | 35555       | 1   | Dipstick  |
| 325   | 29443       | 1   | Wire Clip   |
| 327   | 35392       | 1   | Starter Plug  |
| 340   | 34168A      | 1   | Fuel Tank Bracket   |
| 341   | 34167       | 1   | Fuel Tank Bracket   |
| 342   | 30063       | 1   | Screw, Torx T-30, 1/4-20 x 1/2"   |
| 370C  | 35344       | 1   | Throttle Decal  |
| 370A  | 550223      | 1   | Name Decal  |
| 380   | 632230      | 1   | Carburetor (Incl. 184)  |
| 390   | 590666      | 1   | Rewind Starter  |
| 400   | 33235A      | 1   | * Gasket Set (Incl. items marked PK i n notes) Incl. part #'s 27272A (2), 27896A (2), 27913A (1), 27915A (2), 28938C (1), 29673 (1), 30684 (1), 31688A (1), 33355A (1), 35865 (1) |
| 420   | 730225      | 1   | SAE 30 4-Cycle Engine Oil (Quart)   |
| 453   | 29538       | 1   | Engine Mounting Base  |
| 454   | 650542      | 4   | Screw, 5/16-18 x 3/4"   |



OPTIONAL 110-120  
VOLT STARTER  
MOTOR KIT



OPTIONAL SPARK ARREST  
MUFFLER



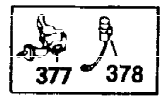
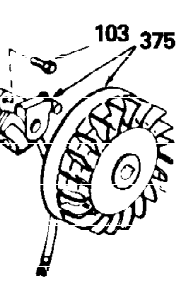
| Ref # | Part Number | Qty | Description                        |
|-------|-------------|-----|------------------------------------|
| 110   | 35187       | 1   | Ground Wire                        |
| 172   | 28425       | 1   | Valve Cover                        |
| 242   | 31691       | 1   | Air Cleaner Bracket                |
| 262   | 29747B      | 2   | Screw, Torx T-40, 5/16-24 x 21/32" |
| 269   | 35865       | 1   | * Exhaust Manifold Gasket          |
| 275   | 35275       | 1   | Muffler                            |
| 277A  | 30196       | 1   | Screw, 5/16-18 x 3/4"              |
| 277   | 650694A     | 1   | Screw, 5/16-18 x 2"                |
| 279B  | 26073       | 1   | Washer                             |
| 370B  | 35274       | 1   | Instruction Decal                  |
| 370   | 34346       | 1   | Instruction Decal                  |



**ADD-ON ALTERNATOR  
 AC LIGHTING OR DC CHARGING**



**OPTIONAL  
 STARTER MUFF KIT**  
 730571  
 Can be used on H50-60 with  
 stamped steel starter.



**SOLID STATE**



| Ref # | Part Number | Qty | Description                  |
|-------|-------------|-----|------------------------------|
| 90    | 611084      | 1   | Flywheel                     |
| 100   | 34443A      | 1   | Solid State Ignition         |
| 102   | 650872      | 2   | Solid State Mounting Stud    |
| 103   | 650814      | 2   | Screw, Torx T-15, 10-24 x 1" |
| 172   | 28425       | 1   | Valve Cover                  |
| 173   | 35350       | 1   | Breather Tube                |
| 239   | 27272A      | 1   | * Air Cleaner Gasket         |
| 242   | 31691       | 1   | Air Cleaner Bracket          |
| 245   | 30727       | 1   | Air Cleaner Filter           |
| 269   | 35865       | 1   | * Exhaust Manifold Gasket    |
| 277A  | 30196       | 1   | Screw, 5/16-18 x 3/4"        |
| 279B  | 26073       | 1   | Washer                       |