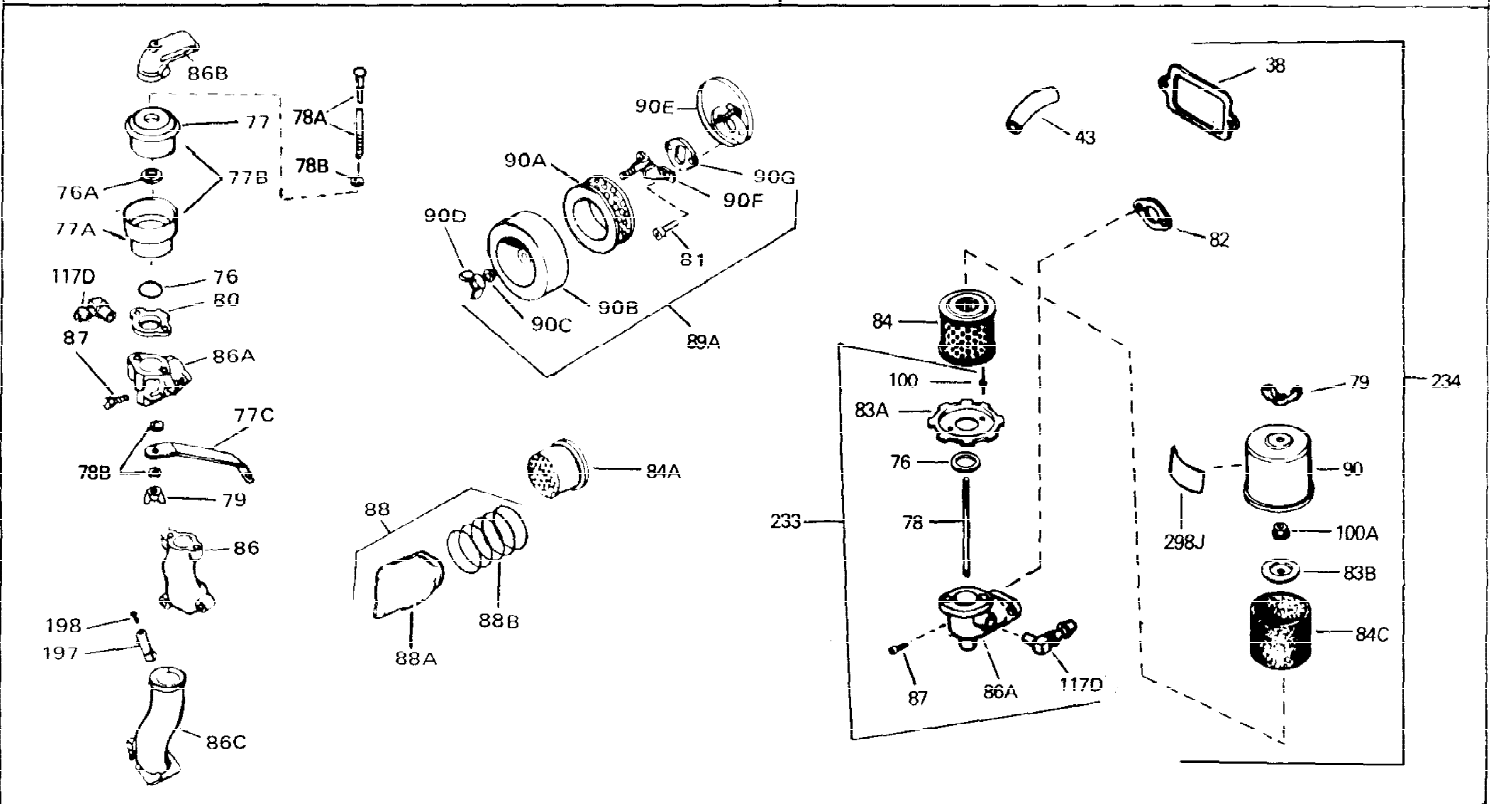
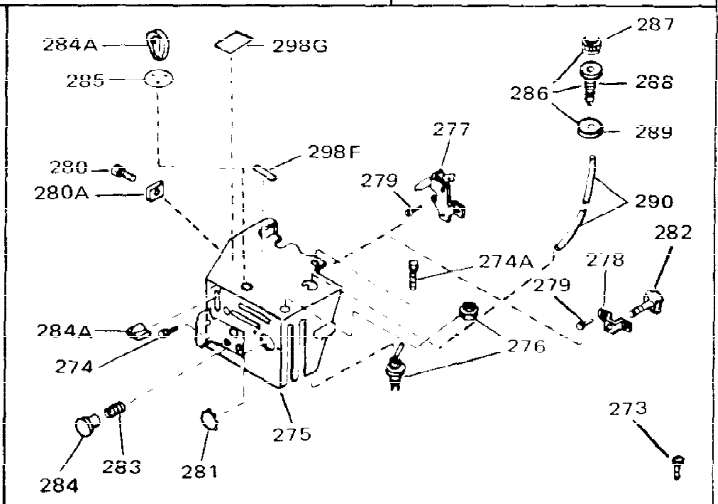
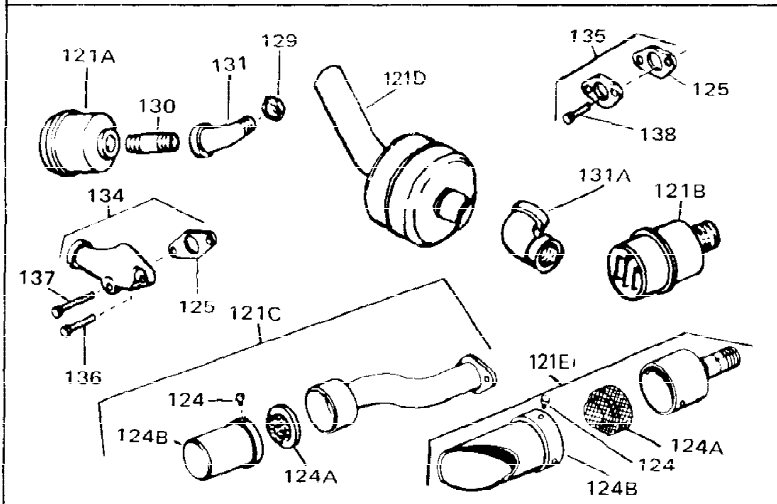


| Ref # | Part Number | Qty | Description                              |
|-------|-------------|-----|--|
| 1     | 33311B      | 0   | Cylinder Assy. (2-5/8" Bore)             |
| 2     | 27652       | 0   | Pin, Dowel                               |
| 3     | 27642       | 0   | Plug, Drain                              |
| 4     | 27876B      | 0   | Seal, Oil                                |
| 5     | 27877A      | 0   | Valve, Intake (Standard)                 |
| 5     | 27880A      | 0   | Valve, Intake (1/32" oversize)           |
| 6     | 27878A      | 0   | Valve, Intake (Standard)                 |
| 6     | 27880A      | 0   | Valve, Intake (1/32" oversize)           |
| 7     | 27882       | 0   | Cap, Upper valve spring                  |
| 8     | 27881       | 0   | Spring, Valve                            |
| 8A    | 27881       | 0   | Spring, Valve                            |
| 9     | 32581       | 0   | Cap, Lower valve spring                  |
| 9A    | 32581       | 0   | Cap, Lower valve spring                  |
| 11    | 30799       | 0   | Crankshaft Assy.                         |
| 12    | 29783       | 0   | Pin, Crankshaft gear                     |
| 13    | 27884       | 0   | Gear, Crankshaft                         |
| 14    | 34531       | 0   | Piston, Pin & Ring Assy. (Std.) (2-5/8") |
| 14    | 34532       | 0   | Piston, Pin & Ring Assy. (.010 oversize) |
| 14    | 34533       | 0   | Piston, Pin & Ring Assy. (.020 oversize) |
| 14A   | 33312B      | 0   | Piston & Pin Assy. (Std.) (2-5/8")       |
| 14A   | 33313B      | 0   | Piston & Pin Assy. (.010 oversize)       |
| 14A   | 33314B      | 0   | Piston & Pin Assy. (.020 oversize)       |
| 15    | 33315       | 0   | Ring Set, Piston (Std.) (2-5/8")         |
| 15    | 33316       | 0   | Ring Set, Piston (.010 oversize)         |
| 15    | 33317       | 0   | Ring Set, Piston (.020 oversize)         |
| 16    | 27888       | 0   | Ring, Piston pin retaining               |
| 17    | 31380C      | 0   | Rod Assy., Connecting                    |
| 18A   | 30682       | 0   | Bolt, Connecting rod                     |
| 18    | 650662B     | 0   | Bolt, Connecting rod                     |
| 19    | 26073       | 0   | Washer, Connecting rod bolt              |
| 20    | 28264       | 0   | Nut                                      |
| 21    | 33156       | 0   | Camshaft (Compression release)           |
| 22    | 34034       | 0   | Lifter, Valve                            |
| 23    | 31303B      | 0   | Cover, Cylinder                          |
| 24    | 28427       | 0   | Seat, Oil                                |
| 26    | 30684       | 0   | Gasket, Mounting flange                  |
| 27    | 31546       | 0   | Bushing, Crankshaft                      |
| 28    | 650488      | 0   | Screw                                    |
| 29    | 650493      | 0   | Screw, Hex hd. Sems, 1/4-20 x 1-3/4      |
| 30    | 650489      | 0   | Screw                                    |
| 31    | 30939A      | 0   | Cover, Cylinder head                     |
| 32    | 28938B      | 0   | Gasket, Cylinder head                    |
| 33    | 30938A      | 0   | Head, Cylinder                           |
| 34    | 33636       | 0   | Plug, Spark (Champion J-8 or equivalent) |
| 34    | 34251       | 0   | Resistor Spark Plug                      |
| 35    | 26073       | 0   | Washer, Connecting rod bolt              |
| 35    | 650570      | 0   | Washer, Flat                             |
| 35    | 650691      | 0   | Washer, Flat                             |
| 36    | 650694A     | 0   | Screw, Hex flange hd., 5/16-18 x 2       |
| 36    | 650695A     | 0   | Screw, Hex flange hd., 5/16-18 x 2-1/4   |
| 36    | 650697A     | 0   | Screw, Hex flange hd., 5/16-18 x 2-1/2   |
| 37    | 650128      | 0   | Screw                                    |
| 37    | 650597      | 0   | Screw, Hex washer hd., 10-24 x 5/8       |
| 38    | 27896       | 0   | Gasket, Breather cover                   |
| 39    | 28423       | 0   | Body, Breather                           |

| Ref # | Part Number | Qty | Description                                  |
|-------|-------------|-----|--|
| 40    | 28424       | 0   | Element, Breather                            |
| 41    | 28425       | 0   | Cover, Valve chamber                         |
| 43    | 27627       | 0   | Tube, Breather                               |
| 45    | 27915       | 0   | Gasket, Intake pipe                          |
| 46    | 30195A      | 0   | Flange, Carburetor                           |
| 48    | 30196       | 0   | Screw  |
| 49    | 29918       | 0   | Lockwasher                                   |
| 50    | 650548      | 0   | Screw, Hex washer hd., 8-32 x 5/16           |
| 51    | 30319       | 0   | Rivet, Split                                 |
| 52    | 32326A      | 0   | Lever, Governor                              |
| 53    | 30322       | 0   | Nut & Lockwasher                             |
| 54    | 29916       | 0   | Clamp, Governor lever                        |
| 55    | 30205       | 0   | Bracket, Adjusting                           |
| 56    | 31710       | 0   | Link, Throttle                               |
| 58    | 29216       | 0   | Nut  |
| 59    | 29752       | 0   | Nut  |
| 60    | 650572      | 0   | Screw  |
| 61    | 29826       | 0   | Screw  |
| 62    | 29642       | 0   | Ring, Retaining                              |
| 63A   | 30699C      | 0   | Rod Assy., Governor                          |
| 63    | 30699B      | 0   | Rod Assy., Governor                          |
| 64    | 30700       | 0   | Yoke, Governor                               |
| 65    | 650494      | 0   | Screw  |
| 66A   | 31297       | 0   | Dipstick, Oil                                |
| 68    | 29673       | 0   | Gasket, Filler plug                          |
| 69    | 29747A      | 0   | Screw  |
| 70    | 32158D      | 0   | Housing, Blower (5.56 Dia. starter mtg. bolt |
| 73    | 29536       | 0   | Baffle, Blower housing                       |
| 74    | 650561      | 0   | Screw  |
| 75    | 31688       | 0   | Gasket, Carburetor (1/8 thick)               |
| 81A   | 650152      | 0   | Screw  |
| 81    | 28820       | 0   | Screw  |
| 81    | 30196       | 0   | Screw  |
| 81    | 650521      | 0   | Screw  |
| 82    | 27272       | 0   | Gasket, Air cleaner                          |
| 83    | 31691       | 0   | Bracket, Air cleaner                         |
| 85    | 31715       | 0   | Body, Air cleaner                            |
| 89    | 730127      | 0   | Cleaner Assy., Air (Poly)                    |
| 98    | 28569       | 0   | Spring, Compression                          |
| 98    | 31342       | 0   | Spring, Compression                          |
| 98    | 32924       | 0   | Spring, Compression                          |
| 99    | 29500       | 0   | Screw, Fil. hd. mach., Sems, 8-32 x 3/4      |
| 99    | 650549      | 0   | Screw  |
| 99    | 650688      | 0   | Screw, Hex hd., 10-32 x 1-5/16" (Drilled     |
| 102   | 30884       | 0   | Key, Flywheel                                |
| 103   | 31843A      | 0   | Bracket, Governor                            |
| 104   | 650836      | 0   | Screw, Hex washer hd. thread forming, 10-24  |
| 105   | 31845       | 0   | Shaft, Mechanical governor                   |
| 106   | 30590A      | 0   | Washer, Flat                                 |
| 107   | 30591       | 0   | Gear Assy., Governor                         |
| 108   | 30588A      | 0   | Spool, Governor                              |
| 109   | 29193       | 0   | Ring, Retaining                              |
| 113A  | 650273      | 0   | Screw  |
| 113   | 650561      | 0   | Screw  |
| 114   | 33350       | 0   | Tank Assy., Fuel (Charcoal Poly) (1 gal.)    |

| Ref # | Part Number | Qty | Description                             |
|-------|-------------|-----|---|
| 115   | 33032       | 0   | Cap, Fuel filler (Red Plastic) (Spurt   |
| 115   | 34210       | 0   | Cap, Fuel filler (Red Plastic) (Spurt   |
| 115   | 410144B     | 0   | Cap, Fuel filler (White Plastic) (Std.) |
| 119   | 29774       | 0   | Line, Fuel (Braided 8.25")              |
| 119   | 30705       | 0   | Line, Fuel (Braided 16")                |
| 119   | 30962       | 0   | Line, Fuel (Braided 32")                |
| 120   | 26460       | 0   | Clamp, Fuel line                        |
| 125   | 27930       | 0   | Gasket, Exhaust                         |
| 132   | 650139      | 0   | Screw                                   |
| 132   | 650548      | 0   | Screw, Hex washer hd., 8-32 x 5/16      |
| 144   | 650542      | 0   | Screw, Hex hd. cap, 5/16 18 x 13/16     |
| 146   | 29538       | 0   | Base, Mounting                          |
| 147   | 650128      | 0   | Screw                                   |
| 148   | 30622       | 0   | Extension, Blower housing               |
| 149A  | 30747       | 0   | Clip, Shorting                          |
| 150   | 16645       | 0   | Lockwasher                              |
| 186   | 27275       | 0   | Clip, Hi-tension wire                   |
| 186   | 29443       | 0   | Clip, Fuel line                         |
| 186   | 33685       | 0   | Clip, Hi-tension wire                   |
| 224   | 31386       | 0   | Spring, Governor                        |
| 225B  | 31711B      | 0   | Bracket Assy., Speed control            |
| 226   | 610973      | 0   | Terminal Assy.                          |
| 229   | 28942       | 0   | Screw                                   |
| 230   | 27793       | 0   | Clip, Conduit                           |
| 262   | 29716       | 0   | Screw                                   |
| 264   | 32125       | 0   | Cup, Starter                            |
| 265   | 590417      | 0   | Screen, Starter cup                     |
| 266   | 650815      | 0   | Washer, Belleville                      |
| 267   | 8115        | 0   | Nut, Hex                                |
| 298   | 34346       | 0   | Decal, Instruction                      |
| 298A  | 31517       | 0   | Decal, H.P. (5 H.P.)                    |
| 298A  | 32173       | 0   | Decal, H.P. (6 H.P.)                    |
| 298A  | 33310       | 0   | Decal, Mini-Bike (5 H.P.)               |
| 298A  | 34316       | 0   | Decal, Name                             |
| 299   | 30547A      | 0   | Contact Assy., Breaker                  |
| 300   | 30548B      | 0   | Condenser                               |
| 301   | 631021      | 0   | Inlet Needle, Seat & Clip Assy.         |
| 303   | 631067A     | 0   | Carburetor                              |
| 304   | 610689A     | 0   | Magneto, Tecumseh                       |
| 306   | 590420      | 0   | Starter, Rewind                         |
| 310   | 33235       | 0   | Gasket Set                              |



| Ref # | Part Number | Qty | Description                            |
|-------|-------------|-----|--|
| 35    | 26073       | 0   | Washer, Connecting rod bolt            |
| 35    | 650570      | 0   | Washer, Flat                           |
| 35    | 650691      | 0   | Washer, Flat                           |
| 36    | 650694A     | 0   | Screw, Hex flange hd., 5/16-18 x 2     |
| 36    | 650695A     | 0   | Screw, Hex flange hd., 5/16-18 x 2-1/4 |
| 36    | 650697A     | 0   | Screw, Hex flange hd., 5/16-18 x 2-1/2 |
| 38    | 27896       | 0   | Gasket, Breather cover                 |
| 43    | 27627       | 0   | Tube, Breather                         |
| 81    | 28820       | 0   | Screw                                  |
| 81    | 30196       | 0   | Screw                                  |
| 81    | 650521      | 0   | Screw                                  |
| 82    | 27272       | 0   | Gasket, Air cleaner                    |
| 84A   | 31700       | 0   | Element, Air cleaner                   |
| 86A   | 34697       | 0   | Elbow, Air cleaner                     |
| 89A   | 730128      | 0   | Cleaner Assy., Air                     |
| 111A  | 33353       | 0   | Bracket, Lower fuel tank               |
| 112A  | 33352A      | 0   | Bracket, Upper fuel tank               |
| 113   | 650561      | 0   | Screw                                  |
| 113A  | 650273      | 0   | Screw                                  |
| 117B  | 33053       | 0   | Valve, Fuel strainer & shut-off        |
| 117   | 33395       | 0   | Fitting, Fuel line                     |
| 118   | 33679       | 0   | Bushing, Fuel fitting                  |
| 121E  | 391026      | 0   | Muffler                                |
| 121A  | 29633       | 0   | Muffler                                |
| 124A  | 33171       | 0   | Screen, Muffler                        |
| 124B  | 33185       | 0   | Cover & Tube, Muffler                  |
| 124   | 650578      | 0   | Screw                                  |
| 125   | 27930       | 0   | Gasket, Exhaust                        |
| 129   | 32862       | 0   | Nut, Conduit (1/4" thick)              |
| 130   | 30244       | 0   | Nipple, Exhaust pipe (2-1/2")          |
| 131   | 30209       | 0   | Elbow, Exhaust (45°)                   |
| 134   | 31288       | 0   | Muffler Adapter Kit                    |
| 135   | 730130      | 0   | Muffler Adapter Kit                    |
| 136   | 6021A       | 0   | Screw, Hex flange hd., 5/16-18 x 1-1/2 |
| 137   | 650697A     | 0   | Screw, Hex flange hd., 5/16-18 x 2-1/2 |
| 138   | 30196       | 0   | Screw                                  |
| 233   | 34819       | 0   | Elbow Assy., Air cleaner               |
| 234   | 730561      | 0   | Air Cleaner Kit, Dual Element upright, |
| 273   | 650687      | 0   | Screw, Pan hd. self-tap, 10-32 x 5/16  |



| Ref # | Part Number | Qty | Description                              |
|-------|-------------|-----|--|
| 36    | 650694A     | 0   | Screw, Hex flange hd., 5/16-18 x 2       |
| 36    | 650695A     | 0   | Screw, Hex flange hd., 5/16-18 x 2-1/4   |
| 36    | 650697A     | 0   | Screw, Hex flange hd., 5/16-18 x 2-1/2   |
| 37    | 650128      | 0   | Screw                                    |
| 37    | 650597      | 0   | Screw, Hex washer hd., 10-24 x 5/8       |
| 37A   | 27261       | 0   | Washer, Flat                             |
| 41    | 28425       | 0   | Cover, Valve chamber                     |
| 56    | 31710       | 0   | Link, Throttle                           |
| 69    | 29747A      | 0   | Screw                                    |
| 98    | 28569       | 0   | Spring, Compression                      |
| 98    | 31342       | 0   | Spring, Compression                      |
| 98    | 32924       | 0   | Spring, Compression                      |
| 99    | 29500       | 0   | Screw, Fil. hd. mach., Sems, 8-32 x 3/4  |
| 99    | 650549      | 0   | Screw                                    |
| 99    | 650688      | 0   | Screw, Hex hd., 10-32 x 1-5/16" (Drilled |
| 182   | 32683       | 0   | Gasket, Fuel pump                        |
| 183   | 32955       | 0   | Cover, Fuel pump pad                     |
| 184   | 9556        | 0   | Plug, Oil drain (Sq. hd. pipe, 1/8-27)   |
| 185   | 30688       | 0   | Screw, Hex hd. Sems, 1/4-20 x 1/2        |
| 225   | 730152      | 0   | Control Assy., Speed                     |
| 226   | 610973      | 0   | Terminal Assy.                           |
| 227   | 33177       | 0   | Terminal                                 |
| 229   | 28942       | 0   | Screw                                    |
| 230   | 27793       | 0   | Clip, Conduit                            |
| 262   | 29716       | 0   | Screw                                    |
| 266   | 650815      | 0   | Washer, Belleville                       |
| 267   | 8115        | 0   | Nut, Hex                                 |
| 305   | 33018       | 0   | Harness, Adapter                         |
| 306   | 590420      | 0   | Starter, Rewind                          |
| 308   | 32386       | 0   | Starter Motor Kit (110-120 Volt)         |
| 308   | 32901       | 0   | Starter Motor Kit (110-120 Volt)         |
| 308   | 33328       | 0   | Starter Motor Kit (110-120 Volt)         |
| 308   | 33328A      | 0   | Starter Motor Kit (110-120 Volt)         |
| 308   | 33518       | 0   | Starter Motor Kit (110-120 Volt)         |
| 308   | 33518A      | 0   | Starter Motor Kit (110-120 Volt)         |
| 308   | 33518B      | 0   | Starter Motor Kit (110-120 Volt)         |
| 309   | 30811A      | 0   | Flywheel                                 |