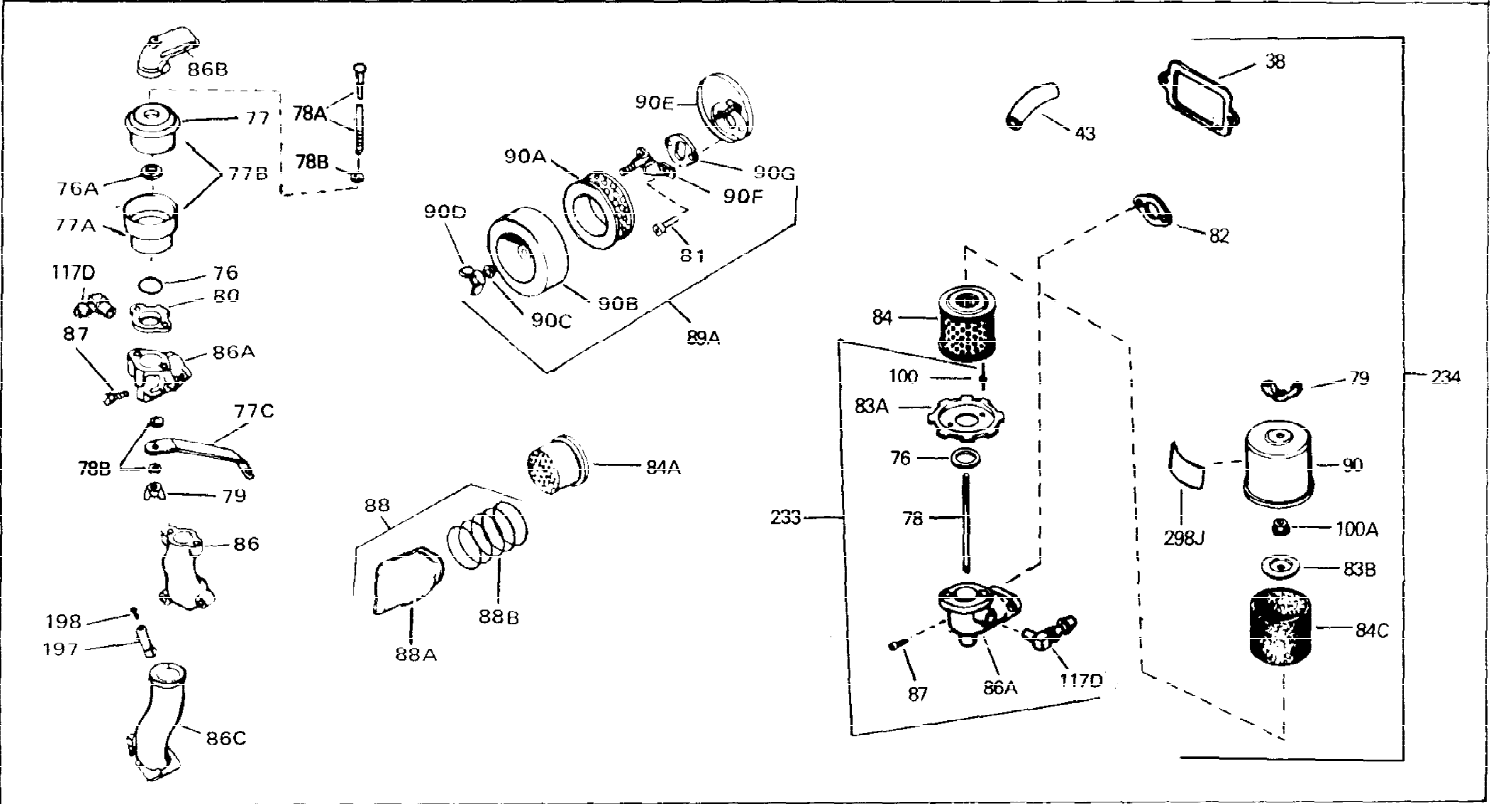
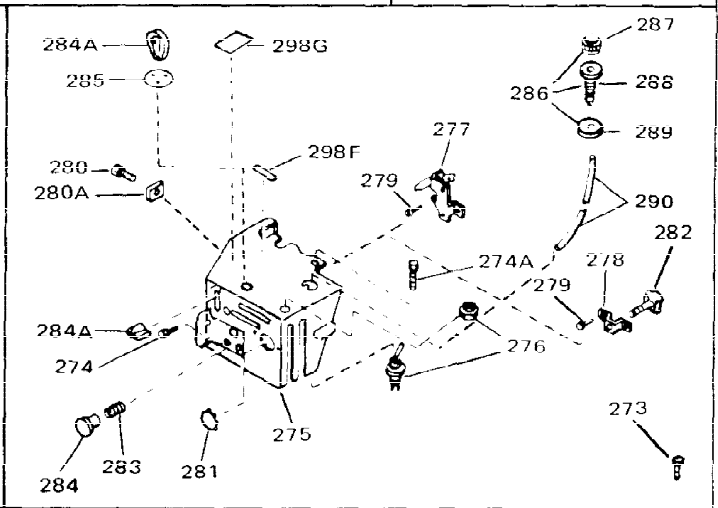
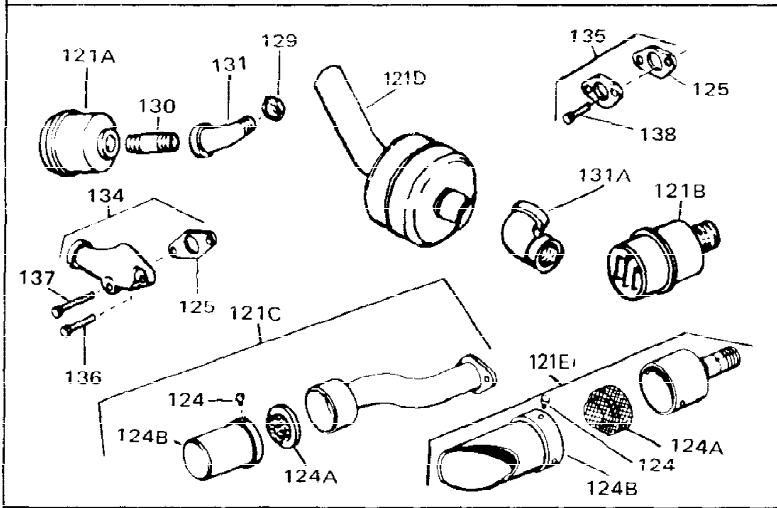
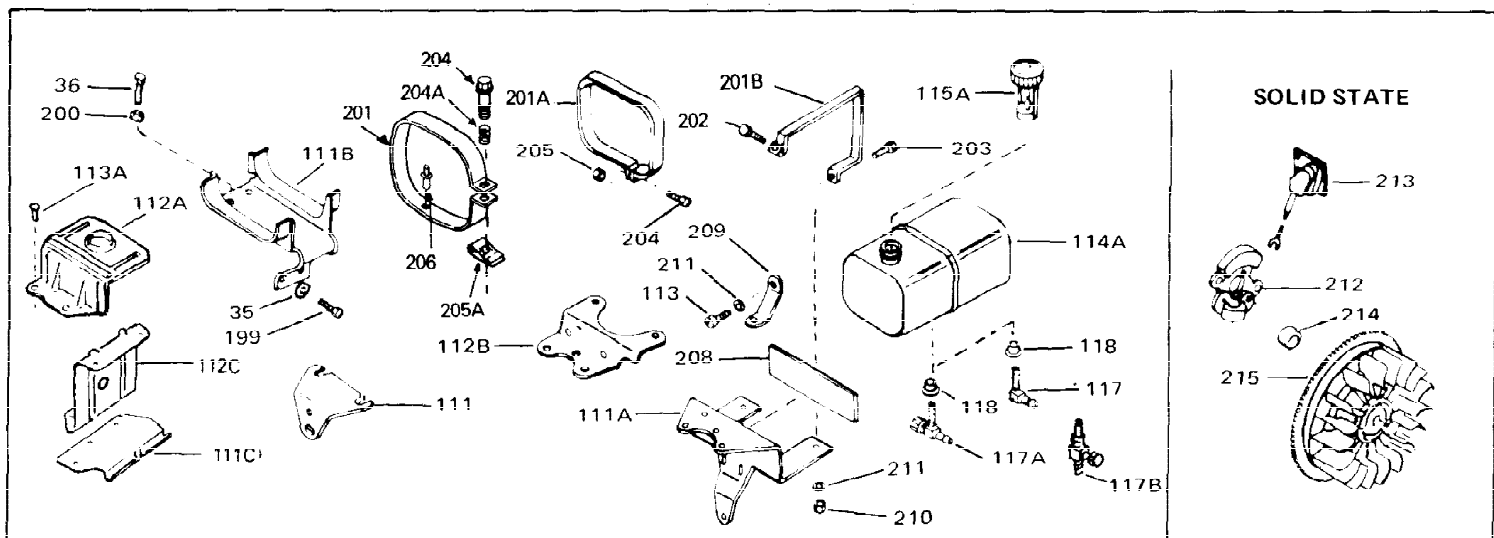


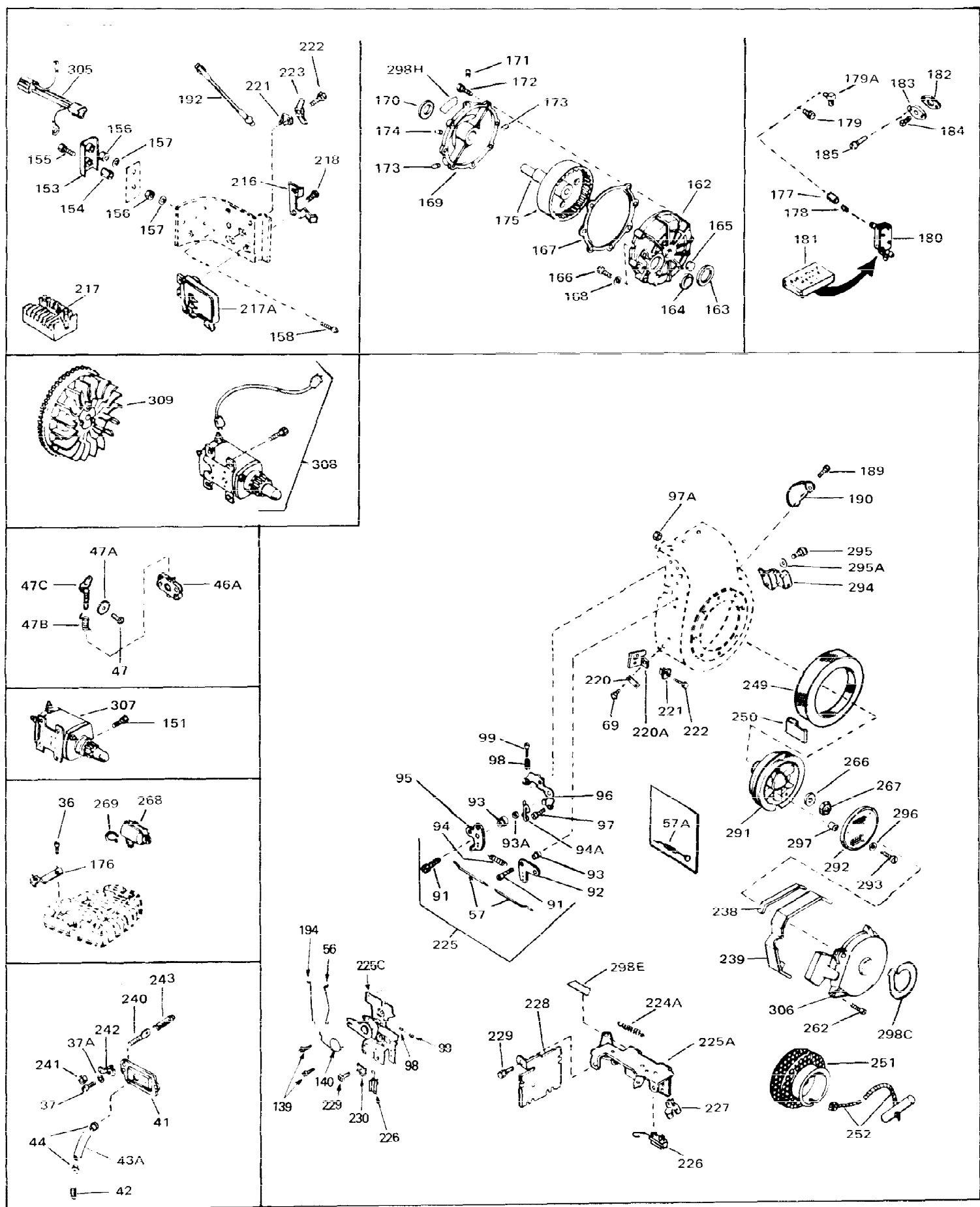
Ref #	Part Number	Qty	Description
1	33311B	0	Cylinder Assy. (2-5/8" Bore)
2	27652	0	Pin, Dowel
3	27642	0	Plug, Drain
3A	30969	0	Cap, Oil drain
3B	30968	0	Nipple, Oil (2-1/2")
4	27876B	0	Seal, Oil
5	27877A	0	Valve, Intake (Standard)
5	27880A	0	Valve, Intake (1/32" oversize)
6	27878A	0	Valve, Intake (Standard)
6	27880A	0	Valve, Intake (1/32" oversize)
7	27882	0	Cap, Upper valve spring
8	27881	0	Spring, Valve
8A	27881	0	Spring, Valve
9A	32581	0	Cap, Lower valve spring
9	32581	0	Cap, Lower valve spring
11	31856A	0	Crankshaft Assy.
12	29783	0	Pin, Crankshaft gear
13	27884	0	Gear, Crankshaft
14A	33312B	0	Piston & Pin Assy. (Std.) (2-5/8")
14A	33313B	0	Piston & Pin Assy. (.010 oversize)
14A	33314B	0	Piston & Pin Assy. (.020 oversize)
14	34531	0	Piston, Pin & Ring Assy. (Std.) (2-5/8")
14	34532	0	Piston, Pin & Ring Assy. (.010 oversize)
14	34533	0	Piston, Pin & Ring Assy. (.020 oversize)
15	33315	0	Ring Set, Piston (Std.) (2-5/8")
15	33316	0	Ring Set, Piston (.010 oversize)
15	33317	0	Ring Set, Piston (.020 oversize)
16	27888	0	Ring, Piston pin retaining
17	31380C	0	Rod Assy., Connecting
18	650662B	0	Bolt, Connecting rod
18A	30682	0	Bolt, Connecting rod
19	26073	0	Washer, Connecting rod bolt
20	28264	0	Nut
21	33156	0	Camshaft (Compression release)
22	34034	0	Lifter, Valve
23	31303B	0	Cover, Cylinder
24	28427	0	Seat, Oil
26	30684	0	Gasket, Mounting flange
27	31546	0	Bushing, Crankshaft
28	650488	0	Screw
29	650493	0	Screw, Hex hd. Sems, 1/4-20 x 1-3/4
30	650489	0	Screw
31	30939A	0	Cover, Cylinder head
32	28938B	0	Gasket, Cylinder head
33	30938A	0	Head, Cylinder
34	33636	0	Plug, Spark (Champion J-8 or equivalent)
34	34251	0	Resistor Spark Plug
35	26073	0	Washer, Connecting rod bolt
35	650570	0	Washer, Flat
35	650691	0	Washer, Flat
36	650694A	0	Screw, Hex flange hd., 5/16-18 x 2
36	650695A	0	Screw, Hex flange hd., 5/16-18 x 2-1/4
36	650697A	0	Screw, Hex flange hd., 5/16-18 x 2-1/2
37	650128	0	Screw
37	650597	0	Screw, Hex washer hd., 10-24 x 5/8

Ref #	Part Number	Qty	Description
38	27896	0	Gasket, Breather cover
39	28423	0	Body, Breather
40	28424	0	Element, Breather
41	28425	0	Cover, Valve chamber
43	27627	0	Tube, Breather
45	27915	0	Gasket, Intake pipe
46	30195A	0	Flange, Carburetor
48	30196	0	Screw
49	29918	0	Lockwasher
50	650548	0	Screw, Hex washer hd., 8-32 x 5/16
51	30319	0	Rivet, Split
52	32326A	0	Lever, Governor
53	30322	0	Nut & Lockwasher
54	29916	0	Clamp, Governor lever
55	30205	0	Bracket, Adjusting
56	30824	0	Link, Throttle
58	29216	0	Nut
59	29752	0	Nut
60	650572	0	Screw
61	29826	0	Screw
62	29642	0	Ring, Retaining
63A	30699C	0	Rod Assy., Governor
63	30699B	0	Rod Assy., Governor
64	30700	0	Yoke, Governor
65	650494	0	Screw
66A	31297	0	Dipstick, Oil
68	29673	0	Gasket, Filler plug
69	29747A	0	Screw
70	32158D	0	Housing, Blower (5.56 Dia. starter mtg. bolt
73	29536	0	Baffle, Blower housing
74	650561	0	Screw
75	31688	0	Gasket, Carburetor (1/8 thick)
81	28820	0	Screw
81	30196	0	Screw
81	650521	0	Screw
81A	650152	0	Screw
89	730127	0	Cleaner Assy., Air (Poly)
98	28569	0	Spring, Compression
98	31342	0	Spring, Compression
98	32924	0	Spring, Compression
99	650688	0	Screw, Hex hd., 10-32 x 1-5/16" (Drilled
99	29500	0	Screw, Fil. hd. mach., Sems, 8-32 x 3/4
99	650549	0	Screw
102	30884	0	Key, Flywheel
103	31843A	0	Bracket, Governor
104	650836	0	Screw, Hex washer hd. thread forming, 10-24
105	31845	0	Shaft, Mechanical governor
106	30590A	0	Washer, Flat
107	30591	0	Gear Assy., Governor
108	30588A	0	Spool, Governor
109	29193	0	Ring, Retaining
113	650561	0	Screw
113A	650665	0	Screw
114	34971	0	Tank Assy., Fuel (Black Poly) (2 qt.)
115	33032	0	Cap, Fuel filler (Red Plastic) (Spurt

Ref #	Part Number	Qty	Description
115	34210	0	Cap, Fuel filler (Red Plastic) (Spurt
115	410144B	0	Cap, Fuel filler (White Plastic) (Std.)
119	29774	0	Line, Fuel (Braided 8.25")
119	30705	0	Line, Fuel (Braided 16")
119	30962	0	Line, Fuel (Braided 32")
120	26460	0	Clamp, Fuel line
121	32401	0	Muffler
125	27930	0	Gasket, Exhaust
126	30196	0	Screw
127	26073	0	Washer, Connecting rod bolt
128	650694A	0	Screw, Hex flange hd., 5/16-18 x 2
132	650139	0	Screw
132	650548	0	Screw, Hex washer hd., 8-32 x 5/16
144	650542	0	Screw, Hex hd. cap, 5/16 18 x 13/16
146	29538	0	Base, Mounting
147	650128	0	Screw
148	30622	0	Extension, Blower housing
186	27275	0	Clip, Hi-tension wire
186	29443	0	Clip, Fuel line
186	33685	0	Clip, Hi-tension wire
193	610118	0	Cover, Spark plug
226	610973	0	Terminal Assy.
229	28942	0	Screw
230	27793	0	Clip, Conduit
232	28468	0	Wire, Ground (Female fitting both ends)
262	29716	0	Screw
264	32125	0	Cup, Starter
265	590417	0	Screen, Starter cup
266	650815	0	Washer, Belleville
267	8115	0	Nut, Hex
298	34346	0	Decal, Instruction
298A	31517	0	Decal, H.P. (5 H.P.)
298A	32173	0	Decal, H.P. (6 H.P.)
298A	33310	0	Decal, Mini-Bike (5 H.P.)
298A	34316	0	Decal, Name
298B	31752	0	Decal, Air cleaner
299	30547A	0	Contact Assy., Breaker
300	30548B	0	Condenser
301	631021	0	Inlet Needle, Seat & Clip Assy.
303	630992B	0	Carburetor
304	610694A	0	Magneto, Tecumseh (w/ring gear for 110 Volt
306	590473	0	Starter, Rewind
310	33235	0	Gasket Set



Ref #	Part Number	Qty	Description
35	26073	0	Washer, Connecting rod bolt
35	650570	0	Washer, Flat
35	650691	0	Washer, Flat
36	650694A	0	Screw, Hex flange hd., 5/16-18 x 2
36	650695A	0	Screw, Hex flange hd., 5/16-18 x 2-1/4
36	650697A	0	Screw, Hex flange hd., 5/16-18 x 2-1/2
38	27896	0	Gasket, Breather cover
43	27627	0	Tube, Breather
81	28820	0	Screw
81	30196	0	Screw
81	650521	0	Screw
86A	34697	0	Elbow, Air cleaner
89A	730128	0	Cleaner Assy., Air
111	33167	0	Bracket, Lower fuel tank
112B	33166A	0	Bracket, Upper fuel tank
113	650561	0	Screw
113A	650665	0	Screw
117B	33053	0	Valve, Fuel strainer & shut-off
117A	32961	0	Valve, Fuel shut-off
121E	391026	0	Muffler
124A	33171	0	Screen, Muffler
124B	33185	0	Cover & Tube, Muffler
124	650578	0	Screw
125	27930	0	Gasket, Exhaust
134	31288	0	Muffler Adapter Kit
135	730130	0	Muffler Adapter Kit
136	6021A	0	Screw, Hex flange hd., 5/16-18 x 1-1/2
137	650697A	0	Screw, Hex flange hd., 5/16-18 x 2-1/2
138	30196	0	Screw
233	34819	0	Elbow Assy., Air cleaner
234	730561	0	Air Cleaner Kit, Dual Element upright,
273	650687	0	Screw, Pan hd. self-tap, 10-32 x 5/16
274A	650765	0	Screw, Hex washer hd. self-drilling, 10-32 x
274	650257	0	Screw, Pan hd. Sems, 8-32 x 5/16
275	32911	0	Cover, Carburetor
278	32398	0	Bracket, Choke
279	28820	0	Screw
280	650760	0	Screw
280A	650764	0	"U" Clip Nut
281	31291	0	Plug, Cover
282	32397	0	Plate Assy., Choke
283	32399	0	Spring, Choke knob
284	32400	0	Knob, Choke
298F	31682	0	Decal, Operation



Ref #	Part Number	Qty	Description
36	650694A	0	Screw, Hex flange hd., 5/16-18 x 2
36	650695A	0	Screw, Hex flange hd., 5/16-18 x 2-1/4
36	650697A	0	Screw, Hex flange hd., 5/16-18 x 2-1/2
37	650128	0	Screw
37	650597	0	Screw, Hex washer hd., 10-24 x 5/8
37A	27261	0	Washer, Flat
41	28425	0	Cover, Valve chamber
56	30824	0	Link, Throttle
69	29747A	0	Screw
98	28569	0	Spring, Compression
98	31342	0	Spring, Compression
98	32924	0	Spring, Compression
99	650688	0	Screw, Hex hd., 10-32 x 1-5/16" (Drilled
99	29500	0	Screw, Fil. hd. mach., Sems, 8-32 x 3/4
99	650549	0	Screw
182	32683	0	Gasket, Fuel pump
183	32955	0	Cover, Fuel pump pad
184	9556	0	Plug, Oil drain (Sq. hd. pipe, 1/8-27)
185	30688	0	Screw, Hex hd. Sems, 1/4-20 x 1/2
189	650736	0	Screw
190	33013	0	Cover, Starter bubble
224A	30826	0	Spring, Extension
225	730152	0	Control Assy., Speed
225A	33108A	0	Control Assy., Speed (Remote Snow King)
226	610973	0	Terminal Assy.
227	33177	0	Terminal
229	28942	0	Screw
230	27793	0	Clip, Conduit
238	32576	0	Seal, Snow guard
239	31680	0	Guard, Starter
262	29716	0	Screw
266	650815	0	Washer, Belleville
267	8115	0	Nut, Hex
298E	31683	0	Decal, Choke
305	33018	0	Harness, Adapter
306	590473	0	Starter, Rewind
308	32386	0	Starter Motor Kit (110-120 Volt)
308	32901	0	Starter Motor Kit (110-120 Volt)
308	33328	0	Starter Motor Kit (110-120 Volt)
308	33328A	0	Starter Motor Kit (110-120 Volt)
308	33518	0	Starter Motor Kit (110-120 Volt)
308	33518A	0	Starter Motor Kit (110-120 Volt)
308	33518B	0	Starter Motor Kit (110-120 Volt)
309	30811A	0	Flywheel