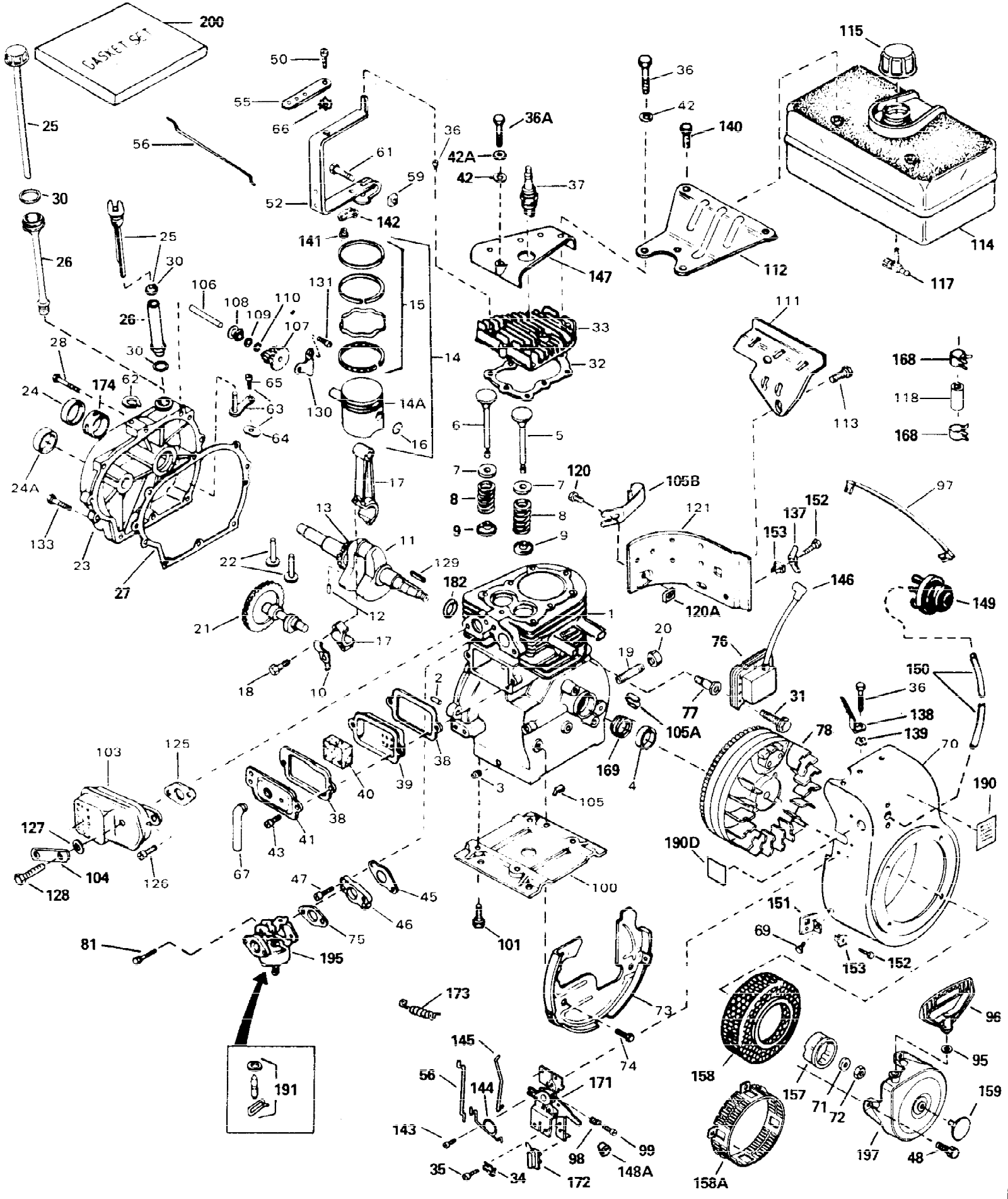


ILLUSTRATION SHOWS TYPICAL PARTS ONLY. ORDER BY PART NUMBER. PARTS NOT LISTED ARE SUPPLIED BY OEM.



| Ref # | Part Number | Qty | Description |
|-------|-------------|-----|---------------------------------------------|
| 1 | 32586C | | Cylinder (Incl. 2, 3 & 4) (2-3/4" Bore) |
| 2 | 27652 | | Pin, Dowel |
| 3 | 27642 | | Plug, Oil drain |
| 4 | 32630 | | Seal, Oil |
| 5 | 32783 | | Intake Valve (Std.) (Incl. 9) |
| 5 | 32784 | | Intake Valve (1/32" OS) (Incl. 9) |
| 7 | 27882 | | Cap, Upper valve spring |
| 8 | 27881 | | Spring, Valve |
| 9 | 32581 | | Cap, Lower valve spring |
| 10 | 34242 | | Dipper, Oil |
| 11 | 35272 | | Crankshaft |
| 12 | 29783 | | Crankshaft Gear Pin (Used on early prod.) |
| 13 | 27884 | | Gear, Crankshaft (Used on early production) |
| 14A | 32592B | | Piston & Pin Ass'y. (Std.)(2-3/4")(Incl.16) |
| 14A | 32593B | | Piston & Pin Ass'y. (.010" OS) (Incl. 16) |
| 14A | 32594B | | Piston & Pin Ass'y. (.020" OS) (Incl. 16) |
| 14 | 34517 | | Piston, Pin & Ring Set (Std.) (2-3/4" Bore) |
| 14 | 34518 | | Piston, Pin & Ring Set (.010" OS) |
| 14 | 34519 | | Piston, Pin & Ring Set (.020" OS) |
| 15 | 32595 | | Ring Set (Std.) (2-3/4" Bore) |
| 15 | 32596 | | Ring Set (.010" OS) |
| 15 | 32597 | | Ring Set (.020" OS) |
| 16 | 27888 | | Ring, Piston pin retaining |
| 17 | 32591C | | Rod Assy., Connecting (Incl. 10 & 18) |
| 18 | 650662C | | Bolt, Connecting rod (2 each) |
| 19 | 32678 | | Nipple, Pipe |
| 20 | 30969 | | Cap, Oil drain |
| 21 | 32115 | | Camshaft (MCR) |
| 22 | 34034 | | Lifter, Valve |
| 23 | 31303B | | Cover, Cylinder (Incl. 24 & 106) |
| 24 | 28427 | | Seal, Oil |
| 25 | 34011A | | Dipstick (Incl. 30) |
| 26 | 33893A | | Tube, Oil filler |
| 27 | 30684 | | * Gasket, Cylinder cover |
| 28 | 650488 | | Screw, 1/4-20 x 1-1/4" |
| 30 | 33590 | | "O" Ring |
| 31 | 650814 | | Screw, Torx T-15, 10-24 x 1" |
| 32 | 32631A | | * Gasket, Cylinder head |
| 33 | 30938A | | Head, Cylinder |
| 34 | 27793 | | Clip, Conduit (Use as required) |
| 35 | 28942 | | Screw, 10-32 x 3/8" (Use as required) |
| 36 | 650697A | | Screw, 5/16-18 x 2-1/2" (Use as required) |
| 36 | 650695A | | Screw, 5/16-18 x 2-1/4" (Use as required) |
| 36 | 650694A | | Screw, 5/16-18 x 2" (Use as required) |
| 37 | 33636 | | Resistor Spark Plug (RJ-8C) |
| 38 | 27896A | | * Gasket, Breather |
| 39 | 28423 | | Body, Breather |
| 40 | 28424 | | Element, Breather |
| 41 | 28425 | | Cover, Valve spring |
| 42 | 650691 | | Washer, Flat (Use as required) |
| 42A | 650690 | | Washer, Belleville (Use as required) |
| 43 | 650128 | | Screw, 10-24 x 1/2" |
| 45 | 27915A | | * Gasket, Intake |
| 46 | 34712 | | Flange, Carburetor |
| 47 | 30196 | | Screw, 5/16-18 x 3/4" |

| Ref # | Part Number | Qty | Description |
|-------|-------------|-----|-----------------------------------------------------------------------------------------------------------------------------------------------------|
| 48 | 29716 | | Screw, 1/4-28 x 7/16" |
| 50 | 650548 | | Screw, 8-32 x 5/16" |
| 52 | 33454 | | Lever Assy., Governor |
| 56 | 34662 | | Link, Throttle |
| 57 | 730130 | | Exhaust Adaptor Kit (Incl.58,125) (As req.) |
| 58 | 30196 | | Screw, 5/16-18 x 3/4" (Use as require d) |
| 59 | 29216 | | Locknut, 10-32 |
| 61 | 29826 | | Screw, 10-32 x 3/4" |
| 62 | 29642 | | Ring, Retaining |
| 63 | 30699C | | Rod, Governor (Incl. 64 & 65) |
| 64 | 30700 | | Yoke, Governor |
| 65 | 650494 | | Screw, 6-40 x 5/16" |
| 66 | 29918 | | Washer, Lock #8 E.T. |
| 67 | 35350 | | Tube, Breather |
| 69 | 29747B | | Screw, 5/16-24 x 21/32" |
| 70 | 35260 | | Blower Housing (For elec.strt.)(Incl. 134,135) |
| 71 | 650815 | | Washer, Belleville |
| 72 | 8116 | | Nut, Hex |
| 73 | 29536 | | Blower Housing Baffle (Without electric starter knock-out) (Use as required) |
| 73 | 35256A | | Blower Housing Baffle (With electric starter knock-out) (Use as required) |
| 73 | 35326 | | Baffle, Blower housing |
| 74 | 650561 | | Screw, 1/4-20 x 5/8" |
| 75 | 31688A | | * Gasket, Carburetor |
| 76 | 34443A | | Solid State Assy. (Incl. 146) |
| 77 | 650872 | | Stud, Solid state mounting |
| 78 | 611085 | | Flywheel (w/ring gear) |
| 81 | 650517 | | Screw, 1/4-20 x 27/32" |
| 82 | 730561 | | Air Cleaner Kit (Incl. 38, 67A, 68, 83, 84A,85, 87, 88, 89, 156 & 190A) (Use only on engines with an externally vented fully adjustable carburetor) |
| 84A | 34819 | | Elbow Assy., Air cleaner (Incl. 84, 90, 91, 92 & 92A)(Use in 730561 assy. only) |
| 95 | 650168 | | Washer, Flat |
| 96 | 590574 | | Handle, Mitten grip |
| 97 | 35253 | | Wire Assy., Ground |
| 98 | 31342 | | Spring, Compression |
| 99 | 650549 | | Screw, 5-40 x 7/16" |
| 100 | 29538 | | Base, Engine mounting |
| 101 | 650542 | | Screw, 5/16-18 x 3/4" |
| 103 | 32401 | | Muffler |
| 103A | 391026 | | Muffler (Incl. 183, 184 & 185) (Thisspark arrester muffler can be used on any model) |
| 105 | 34246 | | Clip, Ground wire (Use as required) |
| 105A | 29443 | | Clip, Fuel line |
| 106 | 31845 | | Shaft, Mechanical governor |
| 107 | 30591 | | Gear Assy., Governor |
| 108 | 30588A | | Spool, Governor |
| 109 | 35479 | | Washer, Flat |
| 110 | 29193 | | Ring, Retaining |
| 111 | 34158 | | Bracket, Fuel tank mounting |
| 113 | 650561 | | Screw, 1/4-20 x 5/8" |

| Ref # | Part Number | Qty | Description |
|-------|-------------|-----|---------------------------------------------------------------------------------------------------------------------------------------------------------------------------------------------------------------------------|
| 114 | 34186A | | Fuel Tank (Incl. 115 & 168) NOTE: These tanks were built with different size fuel inlet openings. Tanks with the 1-3/16" I.D. opening use fuel cap 33032 or 34210. Tanks with the 1-1/2" I.D. opening use fuel cap 35355. |
| 115 | 410144B | | Fuel Cap (White Plastic) (Std)(Use as req.) |
| 115 | 33032 | | Fuel Cap (Red Plastic) (Spurt Resistant, Low Profile) (Use as required) |
| 115 | 34210 | | Fuel Cap (Red Plastic) (Spurt Resistant, High Profile) (Use as required) |
| 115 | 35355 | | Fuel Cap (Red Plastic) (Use as required) |
| 118 | 29774 | | Fuel Line (Braided 8-1/4")(21 cm)(As req.) |
| 118 | 30962 | | Fuel Line (Braided 32")(81 cm)(Use as req.) |
| 120A | 650764 | | Nut, "U" Type |
| 120 | 650128 | | Screw, 10-24 x 1/2" |
| 121 | 30622A | | Extension, Blower housing |
| 125 | 27930A | | * Gasket, Exhaust |
| 126 | 30196 | | Screw, 5/16-18 x 3/4" |
| 127 | 26073 | | Washer, Flat |
| 128 | 650694A | | Screw, 5/16-18 x 2" |
| 129 | 32589 | | Key, Flywheel |
| 130 | 31843A | | Bracket, Governor gear |
| 131 | 650836 | | Screw, 10-24 x 1/2" |
| 133 | 650493 | | Screw, 1/4-20 x 1-3/4" |
| 134 | 33013 | | Cover, Starter bubble |
| 135 | 650760 | | Screw, 8-32 x 3/8" |
| 140 | 650665 | | Screw, 1/4-15 x 7/8" |
| 141 | 30322 | | Locknut, 8-32 |
| 142 | 29916 | | Clamp, Governor lever |
| 143 | 650821 | | Screw, 10-32 x 1/2" |
| 144 | 34663 | | Spring, Speed control |
| 145 | 34661 | | Link, Governor |
| 146 | 610118 | | Cover, Spark plug (Use as required) |
| 147 | 30939A | | Cover Assy., Cylinder |
| 148 | 35439 | | Knob, Control |
| 148A | 35440 | | Knob, Control |
| 149 | 34814 | | Primer Assy. |
| 150 | 32180C | | Line, Primer |
| 151 | 34126 | | Bracket, Grommet mounting |
| 152 | 650760 | | Screw, 8-32 x 3/8" |
| 153 | 28545 | | Grommet, Plastic |
| 154 | 650257 | | Screw, 8-32 x 5/16" |
| 155 | 34672 | | Cover, Carburetor |
| 157 | 32125 | | Cup, Starter |
| 158 | 35009 | | Screen, Starter |
| 163 | 32398 | | Bracket, Choke |
| 164 | 28820 | | Screw, 10-32 x 1/2" |
| 165 | 650760 | | Screw, 8-32 x 3/8" |
| 166 | 650765 | | Screw, 10-32 x 1/2" |
| 168 | 26460 | | Clamp, Fuel line (Use as required) |
| 171 | 34677 | | Control Bracket (Incl. 98, 99, 144 & 172) |
| 172 | 610973 | | Terminal Assy. (Use as required) |
| 174 | 31546 | | Bushing, Crankshaft |
| 175 | 34127 | | Guard, Starter |

| Ref # | Part Number | Qty | Description |
|-------|-------------|-----|-----------------------------------------------------------------------------------------------------------------------------------|
| 176 | 32576 | | Seal, Snow guard |
| 183 | 33323 | | Screen, Muffler (Use as required) |
| 184 | 650578 | | Screw, 8-18 x 3/8" (Use as required) |
| 185 | 33700 | | Cover & Tube, Muffler (Use as require d) |
| 188A | 32203 | | Air Cleaner, Starter Can be used on H70 with stamped steel starter |
| 188 | 730571 | | Starter Muff Kit (Incl.188A,188B & 18 8C) Can be used on H70 with stamped steel starter |
| 188B | 32204 | | Bracket, Starter air cleaner Can be used on H70 with stamped steel starter |
| 188C | 34870 | | Decal, Instruction Can be used on H70 with stamped steel starter |
| 190C | 34418 | | Decal, Choke |
| 190C | 34414 | | Decal, Warning |
| 190B | 35344 | | Decal, Throttle |
| 190 | 34144 | | Decal, Primer |
| 190 | 34170 | | Decal, Instruction |
| 190D | 34346 | | Decal, Instruction |
| 191 | 631021 | | Inlet Needle, Seat & Clip Assy. |
| 195 | 632371 | | Carburetor (Incl. 75) (Refer to Division 5, Section A, page 198 for breakdown) |
| 197 | 590576 | | Rewind Starter (Refer to Division 5, Section C, page 29 for breakdown) |
| 199 | 611042 | | Flywheel (Ring gear flywheel requiredon engines using 110-120 volt starter kits listed above) (For use with Std. point ignition) |
| 199 | 611085 | | Flywheel (Ring gear flywheel requiredon engines using 110-120 volt starter kits listed above) (For use with solid state ignition) |
| 200 | 33239A | | Gasket Set (Incl. items marked*) |