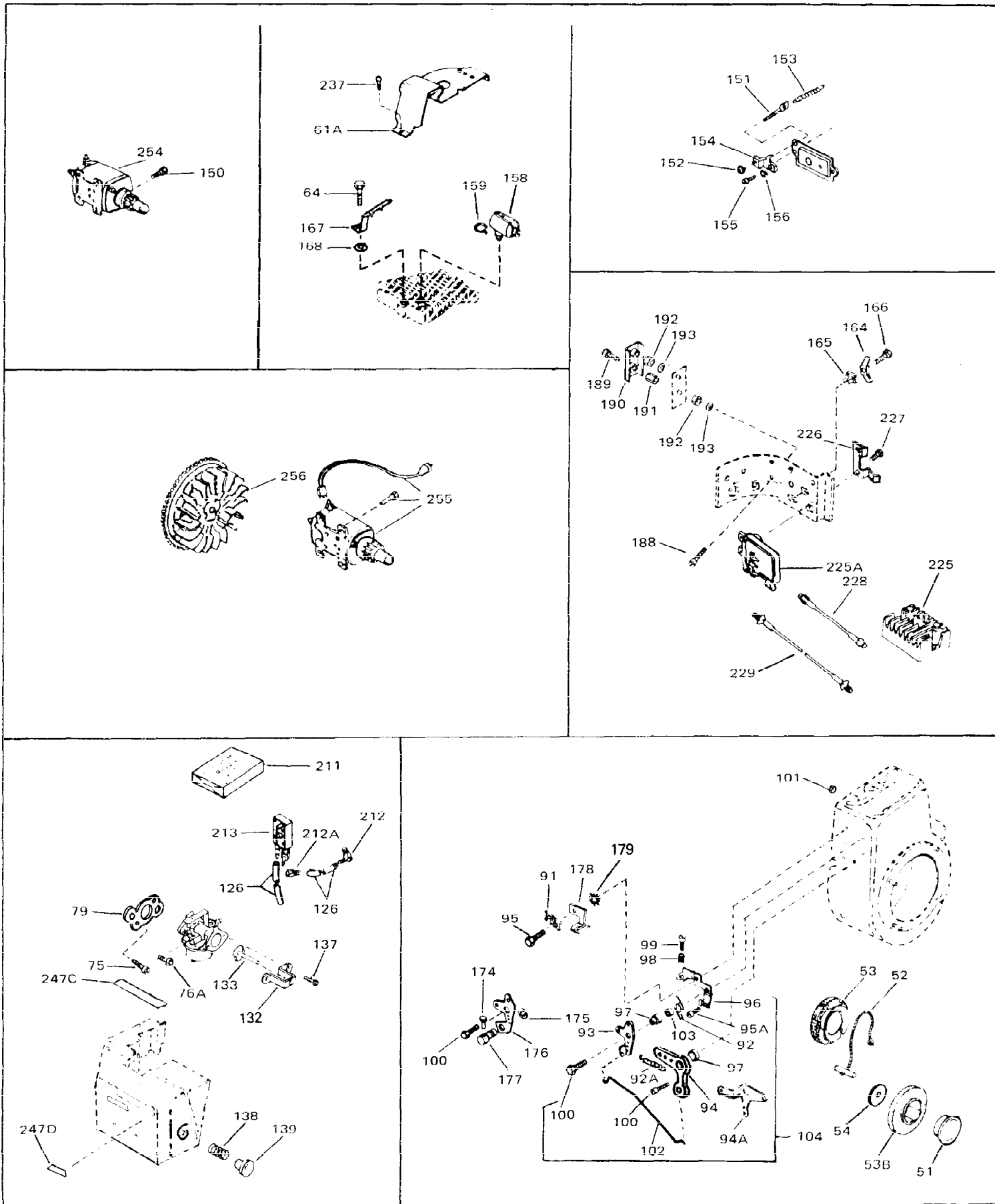


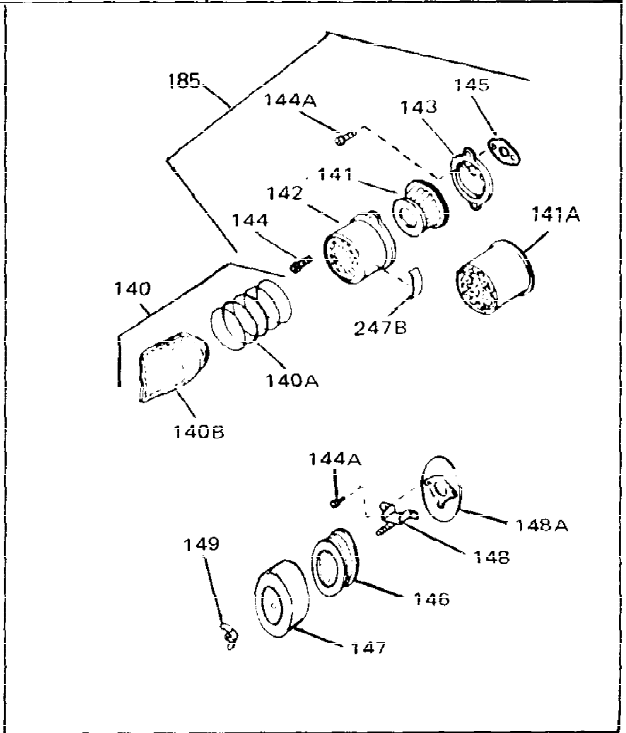
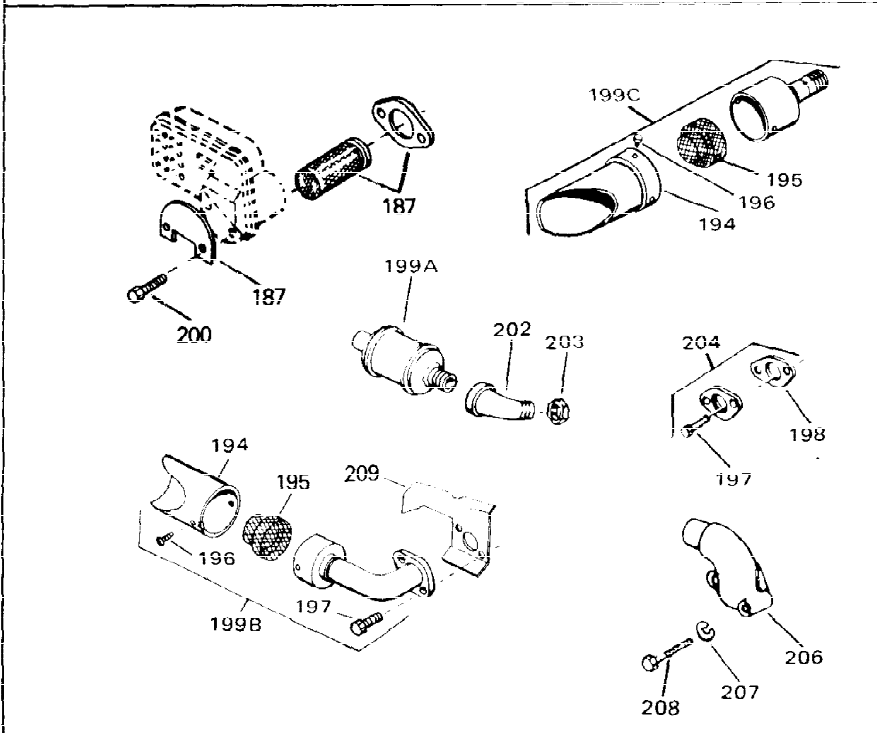
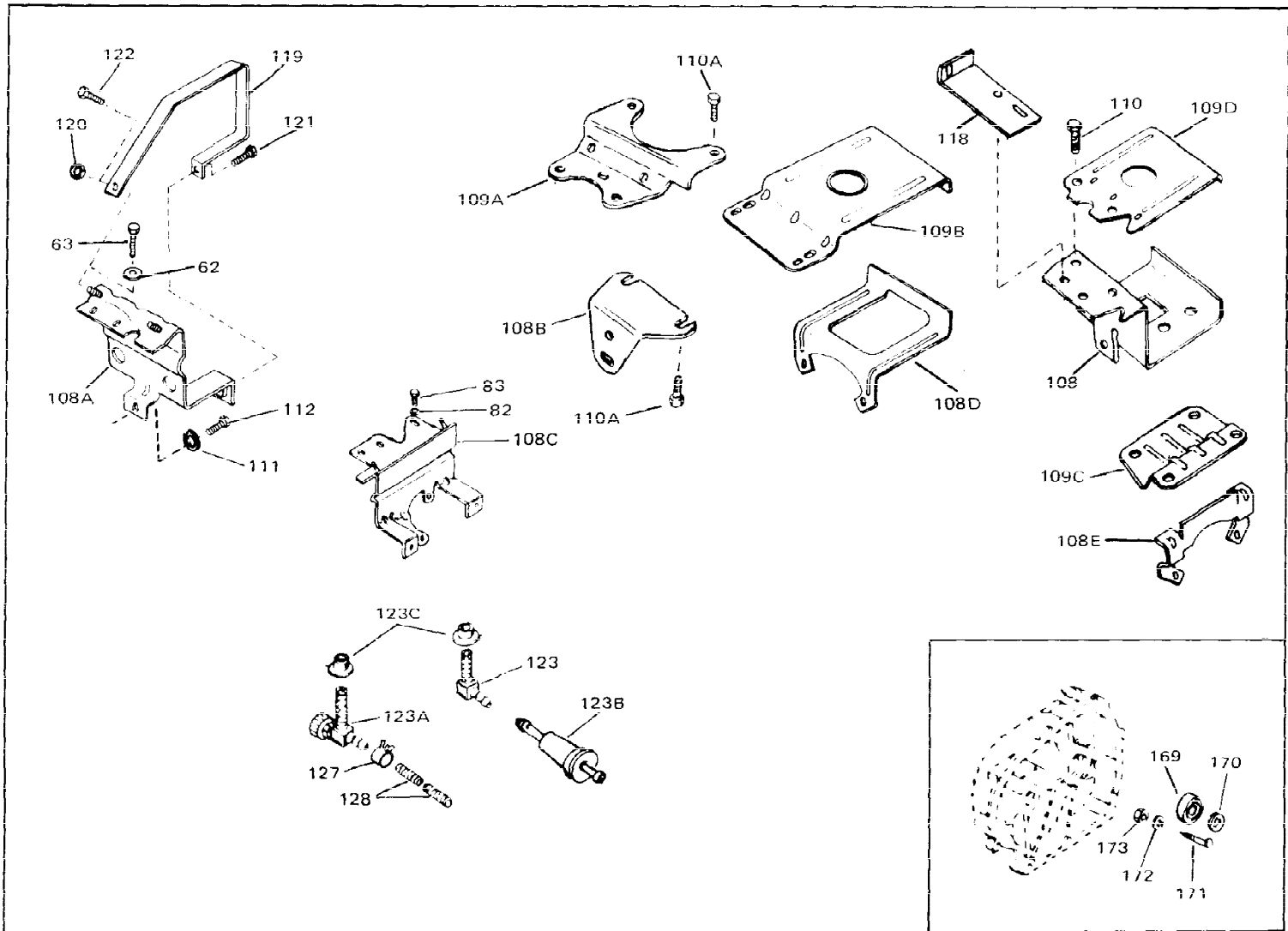
| Ref # | Part Number | Qty | Description |
|-------|-------------|-----|---|
| 1 | 33867A | 0 | Cylinder Assy. |
| 2 | 27652 | 0 | Pin, Dowel |
| 3 | 32630 | 0 | Seal, Oil |
| 4 | 27642 | 0 | Plug, Drain |
| 5A | 30699C | 0 | Rod Assy., Governor |
| 5 | 30699B | 0 | Rod Assy., Governor |
| 6 | 30700 | 0 | Yoke, Governor |
| 7 | 650494 | 0 | Screw |
| 8 | 29642 | 0 | Ring, Retaining |
| 9 | 29916 | 0 | Clamp, Governor lever |
| 10 | 29826 | 0 | Screw |
| 11 | 29216 | 0 | Nut |
| 12 | 650548 | 0 | Screw, Hex washer hd., 8-32 x 5/16 |
| 13 | 33454 | 0 | Lever, Governor |
| 14 | 29918 | 0 | Lockwasher |
| 15 | 30322 | 0 | Nut & Lockwasher |
| 16 | 29536 | 0 | Baffle, Blower housing |
| 17 | 650561 | 0 | Screw |
| 18A | 29443 | 0 | Clip, Fuel line |
| 18 | 27275 | 0 | Clip, Hi-tension wire |
| 19 | 33453A | 0 | Crankshaft Assy. |
| 20 | 29783 | 0 | Pin, Crankshaft gear |
| 21 | 33245 | 0 | Gear, Crankshaft |
| 22A | 33869B | 0 | Piston & Pin Assy. (Std.) (3-1/16") |
| 22A | 33870B | 0 | Piston & Pin Assy. (.010 oversize) |
| 22A | 33871B | 0 | Piston & Pin Assy. (.020 oversize) |
| 22 | 34540 | 0 | Piston, Pin & Ring Assy. (Std.) (3-1/16") |
| 22 | 34541 | 0 | Piston, Pin & Ring Assy. (.010 oversize) |
| 22 | 34542 | 0 | Piston, Pin & Ring Assy. (.020 oversize) |
| 23 | 27888 | 0 | Ring, Piston pin retaining |
| 24 | 33873 | 0 | Ring Set, Piston (Standard) (3-1/16") |
| 24 | 33874 | 0 | Ring Set, Piston (.010 oversize) |
| 24 | 33875 | 0 | Ring Set, Piston (.020 oversize) |
| 25 | 32591C | 0 | Rod Assy., Connecting |
| 26 | 650662B | 0 | Bolt, Connecting rod |
| 27 | 34242 | 0 | Dipper, Oil |
| 27A | 32590 | 0 | Plate, Lock & Oil dipper |
| 28 | 34034 | 0 | Lifter, Valve |
| 29 | 33366 | 0 | Camshaft (Compression Release) |
| 30 | 33253 | 0 | Gasket, Mounting flange |
| 31 | 33367A | 0 | Cover, Cylinder |
| 32 | 33368 | 0 | Bushing, Crankshaft |
| 33 | 31950 | 0 | Seal, Oil |
| 34 | 31845 | 0 | Shaft, Mechanical governor |
| 35 | 30588A | 0 | Spool, Governor |
| 36 | 29193 | 0 | Ring, Retaining |
| 37 | 30591 | 0 | Gear Assy., Governor |
| 38 | 33369 | 0 | Bracket, Governor gear |
| 39 | 650836 | 0 | Screw, Hex washer hd. thread forming, 10-24 |
| 40 | 30590A | 0 | Washer, Flat |
| 41 | 650488 | 0 | Screw |
| 42 | 650493 | 0 | Screw, Hex hd. Sems, 1/4-20 x 1-3/4 |
| 43 | 33242 | 0 | Valve, Intake (Standard) |
| 43 | 33243 | 0 | Valve, Intake (1/32" oversize) |
| 44 | 27878A | 0 | Valve, Intake (Standard) |

| Ref # | Part Number | Qty | Description |
|-------|-------------|-----|---|
| 44 | 27880A | 0 | Valve, Intake (1/32" oversize) |
| 45 | 27882 | 0 | Cap, Upper valve spring |
| 46 | 27881 | 0 | Spring, Valve |
| 47 | 32581 | 0 | Cap, Lower valve spring |
| 48 | 650489 | 0 | Screw |
| 49 | 27276 | 0 | Cover, Spark plug |
| 50 | 32589 | 0 | Key, Flywheel |
| 53A | 33662 | 0 | Hub & Screen Assy., Starter |
| 54A | 650815 | 0 | Washer, Belleville |
| 55 | 8116 | 0 | Nut |
| 56 | 34030 | 0 | Head, Cylinder |
| 57 | 33270 | 0 | Gasket, Cylinder head |
| 58 | 6021A | 0 | Screw, Hex flange hd., 5/16-18 x 1-1/2 |
| 58 | 650692 | 0 | Screw, Hex hd., 5/16-18 x 1-3/4 |
| 58 | 650711 | 0 | Screw, Hex hd., 5/16-18 x 1-5/8 |
| 58 | 650737 | 0 | Screw, Hex washer hd. taptite, 1/4-20 x 1/2 |
| 59 | 650727 | 0 | Screw, Special hex hd. tapped, 5/16-18 x |
| 60 | 650691 | 0 | Washer, Flat |
| 61 | 33272 | 0 | Cover, Cylinder head |
| 62 | 26073 | 0 | Washer, Connecting rod bolt |
| 62 | 650570 | 0 | Washer, Flat |
| 63 | 650713 | 0 | Screw, Hex hd., 5/16-18 x 5/8 |
| 63 | 792028 | 0 | Screw, Hex hd. Sems, 5/16-18 x 7/8 |
| 65 | 33636 | 0 | Plug, Spark (Champion J-8 or equivalent) |
| 65 | 34251 | 0 | Resistor Spark Plug |
| 66 | 28423 | 0 | Body, Breather |
| 67 | 28424 | 0 | Element, Breather |
| 68 | 27896 | 0 | Gasket, Breather cover |
| 69 | 28425 | 0 | Cover, Valve chamber |
| 70 | 27627 | 0 | Tube, Breather |
| 71 | 650128 | 0 | Screw |
| 72 | 27915 | 0 | Gasket, Intake pipe |
| 73 | 33877 | 0 | Pipe, Intake |
| 74 | 33861 | 0 | Gasket, Carburetor |
| 75 | 650378 | 0 | Screw |
| 76 | 30088A | 0 | Screw, Phil. fil. hd. Sems, 1/4-28 x 1 |
| 77 | 29752 | 0 | Nut |
| 80 | 30831 | 0 | Wire, Ground (Female fitting both ends) |
| 82 | 26073 | 0 | Washer, Connecting rod bolt |
| 82 | 650570 | 0 | Washer, Flat |
| 83 | 650273 | 0 | Screw |
| 83 | 650713 | 0 | Screw, Hex hd., 5/16-18 x 5/8 |
| 83 | 650788 | 0 | Screw, Hex hd. spin-lock thr'd forming, |
| 83 | 792028 | 0 | Screw, Hex hd. Sems, 5/16-18 x 7/8 |
| 86 | 33878 | 0 | Link, Governor lever-to-throttle |
| 89 | 33375B | 0 | Housing, Blower (6.375 dia. starter mtg.) |
| 90 | 29747A | 0 | Screw |
| 112 | 650561 | 0 | Screw |
| 113 | 33273 | 0 | Extension, Blower housing |
| 114 | 650128 | 0 | Screw |
| 115 | 29752 | 0 | Nut |
| 124 | 31301 | 0 | Tank Assy., Fuel (1 gal.) |
| 125 | 33032 | 0 | Cap, Fuel filler (Red Plastic) (Spurt |
| 125 | 34210 | 0 | Cap, Fuel filler (Red Plastic) (Spurt |
| 125 | 410144B | 0 | Cap, Fuel filler (White Plastic) (Std.) |

| Ref # | Part Number | Qty | Description |
|-------|-------------|-----|---|
| 126 | 29774 | 0 | Line, Fuel (Braided 8.25") |
| 126 | 30705 | 0 | Line, Fuel (Braided 16") |
| 126 | 30962 | 0 | Line, Fuel (Braided 32") |
| 127 | 26460 | 0 | Clamp, Fuel line |
| 157 | 33876 | 0 | Gasket, Stator |
| 164 | 33356 | 0 | Terminal, Ground |
| 165 | 28545 | 0 | Grommet, Plastic |
| 166 | 650643 | 0 | Screw |
| 222A | 33463 | 0 | Dipstick, Oil |
| 224 | 29673 | 0 | Gasket, Filler plug |
| 247A | 34316 | 0 | Decal, Name |
| 247 | 34346 | 0 | Decal, Instruction |
| 248 | 30547A | 0 | Contact Assy., Breaker |
| 249 | 30548B | 0 | Condenser |
| 250A | 631021 | 0 | Inlet Needle, Seat & Clip Assy. |
| 251 | 631783 | 0 | Carburetor |
| 252 | 610848 | 0 | Magneto, Tecumseh (w/ring gear) (12 Volt) |
| 253 | 590479 | 0 | Starter, Rewind |
| 257 | 33279C | 0 | Gasket Set |



| Ref # | Part Number | Qty | Description |
|-------|-------------|-----|---|
| 64 | 650737 | 0 | Screw, Hex washer hd. taptite, 1/4-20 x 1/2 |
| 75 | 650378 | 0 | Screw |
| 91 | 27793 | 0 | Clip, Conduit |
| 92A | 33578 | 0 | Spring Governor Spec. No. 40933K |
| 126 | 29774 | 0 | Line, Fuel (Braided 8.25") |
| 126 | 30705 | 0 | Line, Fuel (Braided 16") |
| 126 | 30962 | 0 | Line, Fuel (Braided 32") |
| 150 | 30688 | 0 | Screw, Hex hd. Sems, 1/4-20 x 1/2 |
| 151 | 30845A | 0 | Bolt, Governor adjusting |
| 152 | 33450 | 0 | Nut, Lock |
| 153 | 30886A | 0 | Spring, Governor bolt |
| 154 | 32328 | 0 | Bracket, Speed adjusting |
| 155 | 650597 | 0 | Screw, Hex washer hd., 10-24 x 5/8 |
| 156 | 8269 | 0 | Washer |
| 164 | 33356 | 0 | Terminal, Ground |
| 165 | 28545 | 0 | Grommet, Plastic |
| 166 | 650643 | 0 | Screw |
| 254 | 33202 | 0 | Motor, Starter (12 Volt) |
| 254 | 33605 | 0 | Motor, Starter (12 Volt) |
| 255 | 33329 | 0 | Starter Motor Kit (110-120 Volt) |
| 255 | 33329A | 0 | Starter Motor Kit (110-120 Volt) |
| 255 | 33329B | 0 | Starter Motor Kit (110-120 Volt) |
| 255 | 33519 | 0 | Starter Motor Kit (110-120 Volt) |
| 255 | 33519A | 0 | Starter Motor Kit (110-120 Volt) |
| 255 | 33519B | 0 | Starter Motor Kit (110-120 Volt) |
| 256 | 610847 | 0 | Flywheel |



| Ref # | Part Number | Qty | Description |
|-------|-------------|-----|---|
| 62 | 26073 | 0 | Washer, Connecting rod bolt |
| 62 | 650570 | 0 | Washer, Flat |
| 63 | 650713 | 0 | Screw, Hex hd., 5/16-18 x 5/8 |
| 63 | 792028 | 0 | Screw, Hex hd. Sems, 5/16-18 x 7/8 |
| 82 | 26073 | 0 | Washer, Connecting rod bolt |
| 82 | 650570 | 0 | Washer, Flat |
| 83 | 650273 | 0 | Screw |
| 83 | 650713 | 0 | Screw, Hex hd., 5/16-18 x 5/8 |
| 83 | 650788 | 0 | Screw, Hex hd. spin-lock thr'd forming, |
| 83 | 792028 | 0 | Screw, Hex hd. Sems, 5/16-18 x 7/8 |
| 108A | 33382 | 0 | Bracket Assy., Fuel tank mtg. |
| 112 | 650561 | 0 | Screw |
| 119 | 33387 | 0 | Strap, Fuel tank |
| 120 | 29752 | 0 | Nut |
| 121 | 650717 | 0 | Screw |
| 123 | 28584 | 0 | Strainer & Elbow |
| 127 | 26460 | 0 | Clamp, Fuel line |
| 128 | 28819 | 0 | Spring, Fuel line |
| 144A | 28820 | 0 | Screw |
| 145 | 27272 | 0 | Gasket, Air cleaner |
| 146 | 33268 | 0 | Element, Air cleaner |
| 147 | 33269A | 0 | Cover, Air cleaner |
| 148 | 33267 | 0 | Bracket, Air cleaner |
| 148A | 33266 | 0 | Bracket, Air cleaner |
| 149 | 650513 | 0 | Nut, Wing |
| 185 | 730127 | 0 | Cleaner Assy., Air (Poly) |
| 185 | 730164 | 0 | Cleaner Assy., Air (Paper) |
| 199C | 391026 | 0 | Muffler |
| 202 | 30209 | 0 | Elbow, Exhaust (45ø) |
| 204 | 730130 | 0 | Muffler Adapter Kit |
| 247B | 31752 | 0 | Decal, Air cleaner |