

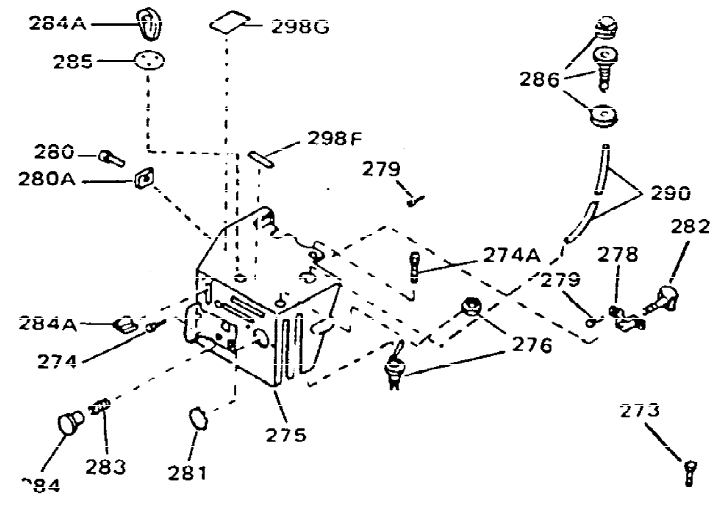
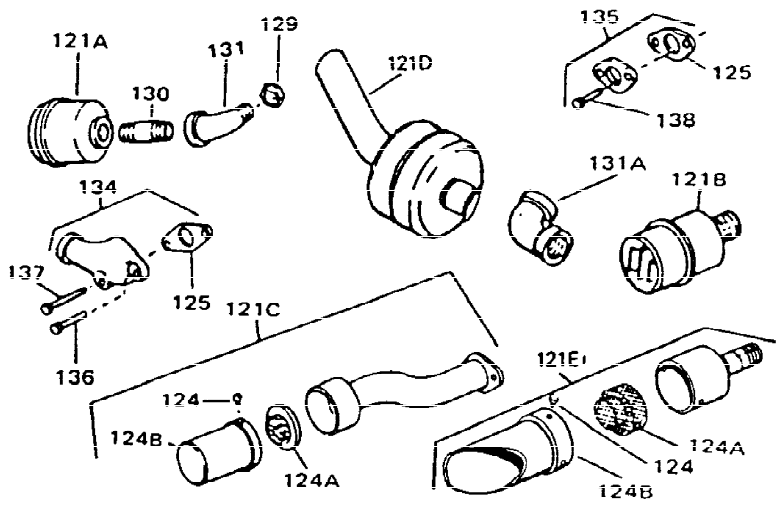
| Ref # | Part Number | Qty | Description |
|-------|-------------|-----|---|
| 1 | 34761 | | Cylinder (C I liner)(Incl.2,3,4,184)(2-5/8") |
| 2 | 27652 | | Pin, Dowel |
| 3 | 27642 | | Plug, Oil drain, 1/4-18 |
| 4 | 27876B | | Seal, Oil |
| 5 | 32783 | | Intake Valve (Std.) (Incl. 9) |
| 5 | 32784 | | Intake Valve (1/32" OS) (Incl. 9) |
| 6 | 31469A | | Exhaust Valve (Std.) (Incl. 9) |
| 6 | 31470A | | Exhaust Valve (1/32" OS) (Incl. 9) |
| 6 | 27878A | | Exhaust Valve (Std.) |
| 6 | 27880A | | Exhaust Valve (1/32" OS) (Incl. 9) |
| 7 | 27882 | | Cap, Upper valve spring |
| 8 | 27881 | | Spring, Valve |
| 9 | 32581 | | Cap, Lower valve spring |
| 11 | 31791 | | Crankshaft (Incl. 12 & 13) |
| 12 | 29783 | | Pin, Crankshaft gear Used in early production. This gear is serviceable ONLY when it is pinned to the crankshaft. |
| 13 | 27884 | | Gear, Crankshaft Used in early production. This gear is serviceable ONLY when it is pinned to the crankshaft. |
| 14 | 34503 | | Piston, Pin & Ring Set (Std.) (2-5/8" Bore) |
| 14 | 34504 | | Piston, Pin & Ring Set (.010" OS) |
| 14 | 34505 | | Piston, Pin & Ring Set (.020" OS) |
| 14A | 31797B | | Piston & Pin Ass'y. (Std.)(2-5/8")(In cl.16) |
| 14A | 31798B | | Piston & Pin Ass'y. (.010" OS) (Incl. 16) |
| 14A | 31799B | | Piston & Pin Ass'y. (.020" OS) (Incl. 16) |
| 15 | 34854 | | Ring Set (Std.) (2-5/8" Bore) |
| 15 | 34855 | | Ring Set (.010" OS) |
| 15 | 34856 | | Ring Set (.020" OS) |
| 16 | 27888 | | Ring, Piston pin retaining |
| 17 | 31380C | | Rod Assy., Connecting (Incl. 18) |
| 18 | 650662C | | Screw, Connecting rod (Late production) |
| 18A | 30682 | | Bolt, Connecting rod (Early production) |
| 19 | 26073 | | Connecting rod bolt washer (Early production) |
| 20 | 28264 | | Connecting rod nut (Used on early production) |
| 21 | 33156 | | Camshaft |
| 22 | 34034 | | Lifter, Valve |
| 23 | 31451A | | Cylinder Cover (Incl.24, 105, 246, 247 & 248) |
| 24 | 28460 | | Seal, Oil |
| 26 | 30684 | | * Gasket, Cylinder cover |
| 28 | 650451 | | Screw, 1/4-20 x 1" |
| 29 | 650599 | | Screw, 1/4-20 x 1-1/2" |
| 30 | 650489 | | Screw, 1/4-20 x 5/8" |
| 31 | 30939A | | Cover, Cylinder head |
| 32 | 28938C | | * Gasket, Cylinder head |
| 33 | 30938A | | Head, Cylinder (Incl. 3 of 36) |
| 34 | 33636 | | Resistor Spark Plug |
| 35 | 26073 | | Washer, Flat (Use as required) |
| 35 | 650570 | | Washer, Flat (Use as required) |
| 35 | 650691 | | Washer, Flat (Use as required) |
| 36 | 650697A | | Screw, 5/16-18 x 2-1/2" (Use as required) |
| 36 | 650695A | | Screw, 5/16-18 x 2-1/4" (Use as required) |
| 36 | 650694A | | Screw, 5/16-18 x 2" (Use as required) |
| 37 | 650128 | | Screw, 10-24 x 1/2" (Use as required) |

| Ref # | Part Number | Qty | Description |
|-------|-------------|-----|---|
| 37 | 650597 | | Screw, 10-24 x 5/8" (Use as required) |
| 38 | 27896A | | * Gasket, Breather cover |
| 39 | 28423 | | Body, Breather |
| 40 | 28424 | | Element, Breather |
| 41 | 28425 | | Cover, Valve spring |
| 45 | 27915A | | * Gasket, Intake |
| 46 | 30195A | | Flange, Carburetor (Incl. 79 & 80) |
| 48 | 30196 | | Screw, 5/16-18 x 3/4" |
| 49 | 29918 | | Lockwasher |
| 50 | 650548 | | Screw, 8-32 x 5/16" |
| 51 | 30319 | | Rivet, Split (Used on early production) |
| 52 | 32326A | | Lever, Governor (New lever does not need 1 of Ref #49,51,53,54,132,133) |
| 53 | 30322 | | Lock Nut, 8-32 (Use as required) |
| 54 | 29916 | | Clamp, Governor lever (Use as required) |
| 55 | 30205 | | Bracket, Adjusting |
| 56 | 30824 | | Link, Throttle |
| 58 | 29216 | | Locknut, 10-32 |
| 59 | 29752 | | Nut & Lockwasher, 1/4-28 |
| 60 | 650572 | | Screw, 1/4-28 x 1-1/8" |
| 61 | 29826 | | Screw, 10-32 x 3/4" |
| 62 | 29642 | | Ring, Retaining |
| 63A | 30699C | | Rod Assy., Governor (Incl. 64 & 65) |
| 63 | 30699B | | Rod Assy., Governor (This one piece gov. rod is no longer used. It is replaced by 30699C assy., Ref.#63A) |
| 64 | 30700 | | Yoke, Governor |
| 65 | 650494 | | Screw, 6-40 x 5/16" |
| 66A | 34011A | | Dipstick (Incl. 68) |
| 67 | 33893A | | Oil Fill Tube |
| 68 | 33590 | | "O" Ring |
| 69 | 29747B | | Screw, 5/16-24 x 21/32" |
| 70 | 31754A | | Housing, Blower |
| 72 | 31461 | | Bushing, Crankshaft |
| 73 | 29536 | | Baffle, Blower housing |
| 74 | 650561 | | Screw, 1/4-20 x 5/8" |
| 75 | 31688A | | * Gasket, Carburetor |
| 81 | 30196 | | Screw, 5/16-18 x 3/4" (Use as required) |
| 81 | 28820 | | Screw, 10-32 x 1/2" (Use as required) |
| 81 | 650521 | | Screw, 10-32 x 1-1/8" (Use as required) |
| 81A | 650152 | | Screw, 8-32 x 3/8" |
| 82 | 27272A | | * Gasket, Air cleaner |
| 83 | 31691 | | Bracket, Air cleaner |
| 84B | 30727 | | Element, Air cleaner |
| 85 | 31715 | | Body, Air cleaner |
| 89 | 730127 | | Air Cleaner Ass'y. (Incl. 81,81A,82,83,84,85,90G & 298B) (Use as required) |
| 98 | 28569 | | Compression Spring (Used with 29500 screw)(Use as required) |
| 98 | 32924 | | Compression Spring (Used with 650688 screw) (Use as required) |

| Ref # | Part Number | Qty | Description |
|-------|-------------|-----|--|
| 98 | 31342 | | Compression Spring (Used with 650549 screw) (Use as required) |
| 99 | 650549 | | Screw, 5-40 x 7/16" (Use as required) |
| 99 | 29500 | | Screw, 8-32 x 3/4" (Use as required) |
| 99 | 650688 | | Screw, 10-32 x 1 (Use as required) |
| 101 | 650625 | | Washer, Thrust |
| 102 | 30884 | | Key, Flywheel |
| 103 | 31843A | | Bracket, Governor gear |
| 104 | 650836 | | Screw, 10-24 x 1/2" |
| 105 | 31845 | | Shaft, Mechanical governor |
| 106 | 30590A | | Washer, Flat |
| 107 | 30591 | | Gear Assy., Governor (Incl. 106) |
| 108 | 30588A | | Spool, Governor |
| 109 | 29193 | | Ring, Retaining |
| 113 | 30063 | | Screw, 1/4-20 x 1/2" |
| 115 | 410144B | | Fuel Cap (White Plastic)(Standard)(As req.) |
| 115 | 33032 | | Fuel Cap (Red Plastic) (Spurt Resistant, Low Profile) (Use as required) |
| 115 | 34210 | | Fuel Cap (Red Plastic) (Spurt Resistant, High Profile) (Use as required) |
| 119 | 29774 | | Fuel Line (Braided 8.25") (Use as required) |
| 119 | 30705 | | Fuel Line (Braided 16") (Use as required) |
| 119 | 30962 | | Fuel Line (Braided 32") (Use as required) |
| 120 | 26460 | | Clamp, Fuel line (Use as required) |
| 125 | 27930A | | * Gasket, Exhaust |
| 132 | 650548 | | Screw, 8-32 x 5/16" (Early production) |
| 132 | 650139 | | Screw, 8-32 x 1/2" (Early production) |
| 144 | 650542 | | Screw, 5/16-18 x 3/4" |
| 146 | 29538 | | Base, Engine mounting |
| 147 | 650128 | | Screw, 10-24 x 1/2" |
| 148 | 30622A | | Extension, Blower housing |
| 186 | 27275 | | Clip, Wire (Use as required) |
| 186 | 29443 | | Clip, Fuel line (Use as required) |
| 226 | 610973 | | Terminal Assy. |
| 229 | 28942 | | Screw, 10-32 x 3/8" |
| 230 | 27793 | | Clip, Conduit |
| 232 | 35349 | | Ground Wire |
| 244 | 31793 | | Bearing, Ball |
| 245 | 31792 | | Washer, Thrust |
| 246 | 31855 | | Retainer, Bearing |
| 247 | 650778 | | Washer, Lock |
| 248 | 650580 | | Nut, Lock |
| 266 | 650815 | | Washer, Belleville |
| 267 | 8116 | | Nut, Hex |
| 298A | 550223 | | Decal, Name |
| 298A | 33310 | | Decal, 5 HP Mini-Bike (Use as required) |
| 298A | 31517 | | Decal, H.P. (5 H.P.) (Use as required) |
| 298A | 32173 | | Decal, H.P. (6 H.P.) (Use as required) |
| 298 | 34346 | | Decal, Instruction |
| 298B | 31752 | | Decal, Air cleaner |
| 299 | 30547A | | Contact Assy., Breaker |
| 300 | 30548B | | Condenser |
| 301 | 631021 | | Inlet Needle, Seat & Clip Assy. |

| Ref # | Part Number | Qty | Description |
|-------|-------------|-----|---|
| 303 | 631824 | | Carburetor (Incl. 75 & 301) (Refer to Division 5, Section A, page 206for breakdown) |
| 304 | 610689A | | Magneto (Refer to Division 5, Section B, page 24 for breakdown) |
| 310 | 33235A | | * Gasket Set (Incl. items marked *) |

ILLUSTRATION SHOWS TYPICAL PARTS ONLY. ORDER BY PART NUMBER, PARTS NOT LISTED ARE SUPPLIED BY OEM.



| Ref # | Part Number | Qty | Description |
|-------|-------------|-----|--|
| 35 | 26073 | | Washer, Flat (Use as required) |
| 35 | 650570 | | Washer, Flat (Use as required) |
| 35 | 650691 | | Washer, Flat (Use as required) |
| 36 | 650697A | | Screw, 5/16-18 x 2-1/2" (Use as required) |
| 36 | 650695A | | Screw, 5/16-18 x 2-1/4" (Use as required) |
| 36 | 650694A | | Screw, 5/16-18 x 2" (Use as required) |
| 38 | 27896A | | * Gasket, Breather cover |
| 81 | 30196 | | Screw, 5/16-18 x 3/4" (Use as required) |
| 81 | 28820 | | Screw, 10-32 x 1/2" (Use as required) |
| 81 | 650521 | | Screw, 10-32 x 1-1/8" (Use as required) |
| 82 | 27272A | | * Gasket, Air cleaner |
| 86A | 34697 | | Air Cleaner Elbow Assy.(Use in 730561 only.) |
| 88A | 31668 | | Bag, Pre-cleaner |
| 88B | 31667 | | Spring, Pre-cleaner |
| 88 | 730512 | | Kit, Pre-cleaner (Incl. 88A & 88B) |
| 89A | 730128 | | Air Cleaner Ass'y. (Incl. 82,90A,90B,90D thru 90G,97 & 298B) (Use as req.) |
| 121E | 391026 | | Muffler (Incl. 124, 124A & 124B) (This spark arrester muffler can be used on any model) |
| 124A | 33171 | | Muffler Screen (Use as required) |
| 124B | 33185 | | Cover & Tube, Muffler (Use as required) |
| 124 | 650578 | | Screw, 8-18 x 3/8" |
| 125 | 27930A | | * Gasket, Exhaust |
| 129 | 32862 | | Nut, Conduit (1/4" thick) |
| 131 | 29574 | | Elbow, Exhaust (90 degree) |
| 134 | 31288 | | Muf.Adapter Kit(Incl.125,136,137)(As req.) |
| 135 | 730130 | | Muf.Adapter Kit(Incl.125 & 138)(As required) |
| 136 | 6021A | | Screw, 5/16-18 x 1-1/2" (Use as required) |
| 137 | 650697A | | Screw, 5/16-18 x 2-1/2" (Use as required) |
| 138 | 30196 | | Screw, 5/16-18 x 3/4" (Use as required) |
| 233 | 34819 | | Air Cleaner Elbow (Incl.44,76,78,83A,86A,100)(Use in 730561 ass'y. only) |
| 234 | 730561 | | Air Cleaner Kit (Incl.38,43,44,76,78,79,82,83A,84,84C,86A,87,90,100A) (Use only on engines with an externally vented fully adjustable carburetor.) |
| 273 | 650687 | | Screw, 10-32 x 5/16" (Use as required) |

| Ref # | Part Number | Qty | Description |
|-------|-------------|-----|---|
| 37 | 650128 | | Screw, 10-24 x 1/2" (Use as required) |
| 37 | 650597 | | Screw, 10-24 x 5/8" (Use as required) |
| 37A | 27261 | | Washer, Flat (Use as required) |
| 41 | 28425 | | Cover, Valve spring |
| 43A | 35350 | | Tube, Breather |
| 56 | 30824 | | Link, Throttle |
| 69 | 29747B | | Screw, 5/16-24 x 2 1/32" |
| 98 | 28569 | | Compression Spring (Used with 29500 screw)(Use as required) |
| 98 | 32924 | | Compression Spring (Used with 650688 screw) (Use as required) |
| 98 | 31342 | | Compression Spring (Used with 650549 screw) (Use as required) |
| 99 | 650549 | | Screw, 5-40 x 7/16" (Use as required) |
| 99 | 29500 | | Screw, 8-32 x 3/4" (Use as required) |
| 99 | 650688 | | Screw, 10-32 x 1 (Use as required) |
| 182 | 32683A | | Gasket, Fuel pump cover (Use as required) |
| 183 | 32955 | | Cover, Fuel pump pad (Use as required) |
| 184 | 9556 | | Plug, Pipe 1/8-27 (Use as required) |
| 185 | 30063 | | Screw, 1/4-20 x 1/2" (Use as required) |
| 224A | 30826 | | Spring, Extension |
| 225 | 730152 | | Control Bracket(Incl.91 thru 97)(As req.) |
| 225A | 33110A | | Control Bracket (Incl. 224A & 226) |
| 226 | 610973 | | Terminal Assy. |
| 227 | 33177 | | Terminal (Use as required) |
| 228 | 30820 | | Baffle, Heat |
| 229 | 28942 | | Screw, 10-32 x 3/8" |
| 230 | 27793 | | Clip, Conduit |
| 266 | 650815 | | Washer, Belleville |
| 267 | 8116 | | Nut, Hex |
| 291 | 31753 | | Pulley, Rope starter |
| 292 | 31756 | | Screen, Air |
| 293 | 650597 | | Screw, 10-24 x 5/8" |
| 294 | 31755 | | Bracket, Guard |
| 295 | 28942 | | Screw, 10-32 x 3/8" |
| 297 | 31880 | | Spacer, Screen |
| 298C | 32187 | | Decal, "Super-start" |
| 305 | 33018 | | Harness Assy., Adapter (Use as required) |
| 308 | 33328D | | Starter Motor Kit (110-120 Volt) NOTE: This 110-120 volt starter motor kit may have been added to this engine. This can be added only if cylinder has drilled and tapped starter mounting bosses and a ring gear flywheel has been added (see #309). Refer to service number stamped on end cap of motor, |
| 309 | 30811A | | Flywheel (Ring gear flywheel required on engines using 110-120 volt starter motor kits listed above.) |