

GREAT **DANE**TM

Super Surfer



ILLUSTRATED PARTS LIST AND TECHNICAL MANUAL

⚠ WARNING: The Engine Exhaust from this product contains chemicals known to the State of California to cause cancer, birth defects or other reproductive harm.

California Proposition 65 Warning

PC9389 (MAR 04)

North American Version
Litho in U.S.A.

TABLE OF CONTENTS

Main Frame, Traction Deck, Console and OPC Platform	2
Drive Controls and Linkage	4
Park Brake	6
Hydrostatic Pump Drive and PTO	8
Hydrostatic Components	10
Hydraulic Schematic	12
Fuel Tank and Lines	14
Engine and Related Components	16
Electrical Logic Schematic	18
Battery, Electrical Harness and Components	20
Caster Wheels and Rear Wheels	22
Mower Deck Lift Linkage	24
Mower Deck	26
Mower Deck Spindles	28
Labels and Decals	30

All information, illustrations and specifications in this manual are based on the latest information at the time of publication. The right is reserved to make changes at any time without notice.

COPYRIGHT© 2004

Deere & Co.

John Deere Worldwide Commercial and Consumer Equipment Division

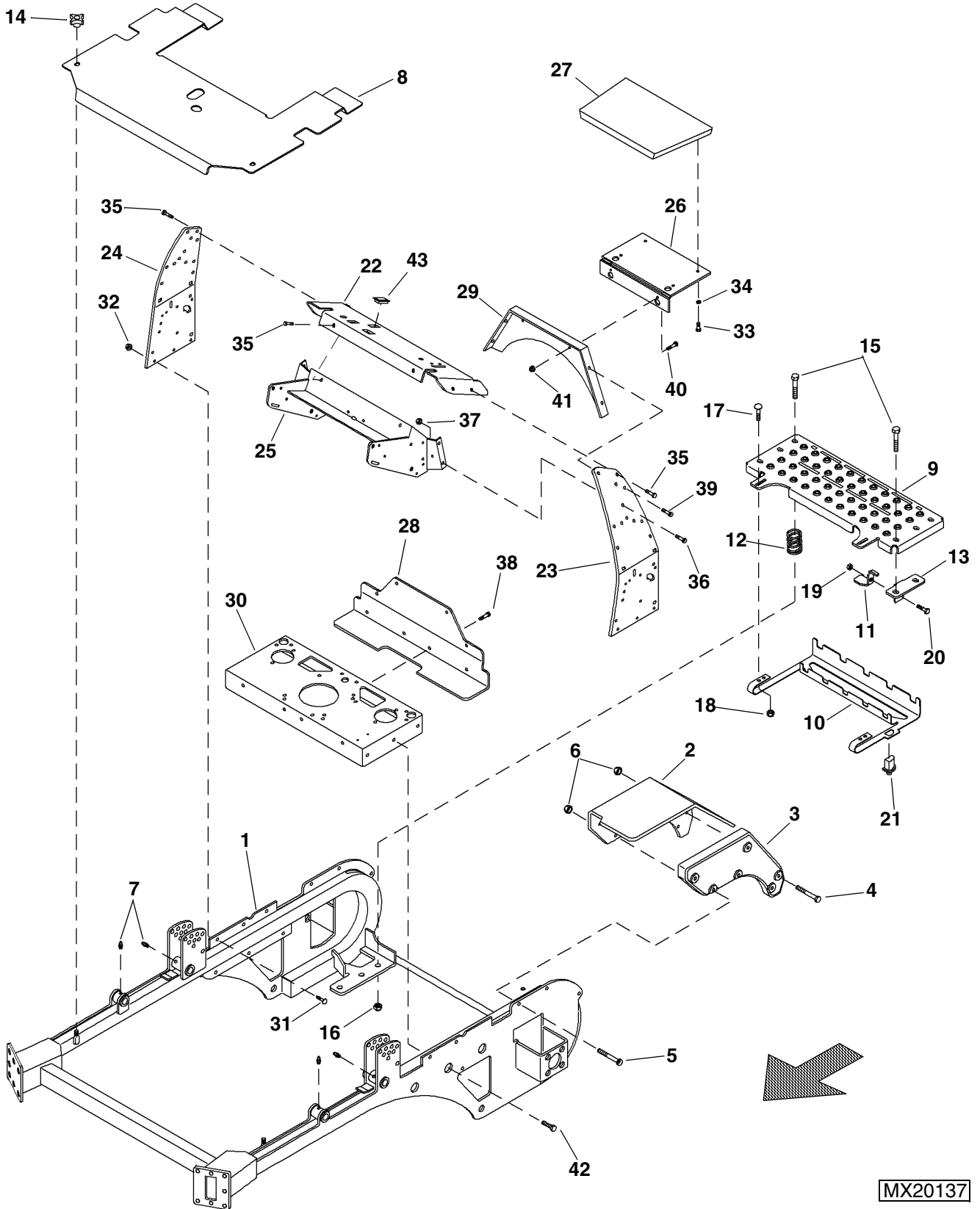
All rights reserved

Previous Editions

COPYRIGHT©

PC9389 (MAR 04) - English

MAIN FRAME, TRACTION DECK, CONSOLE AND OPC PLATFORM

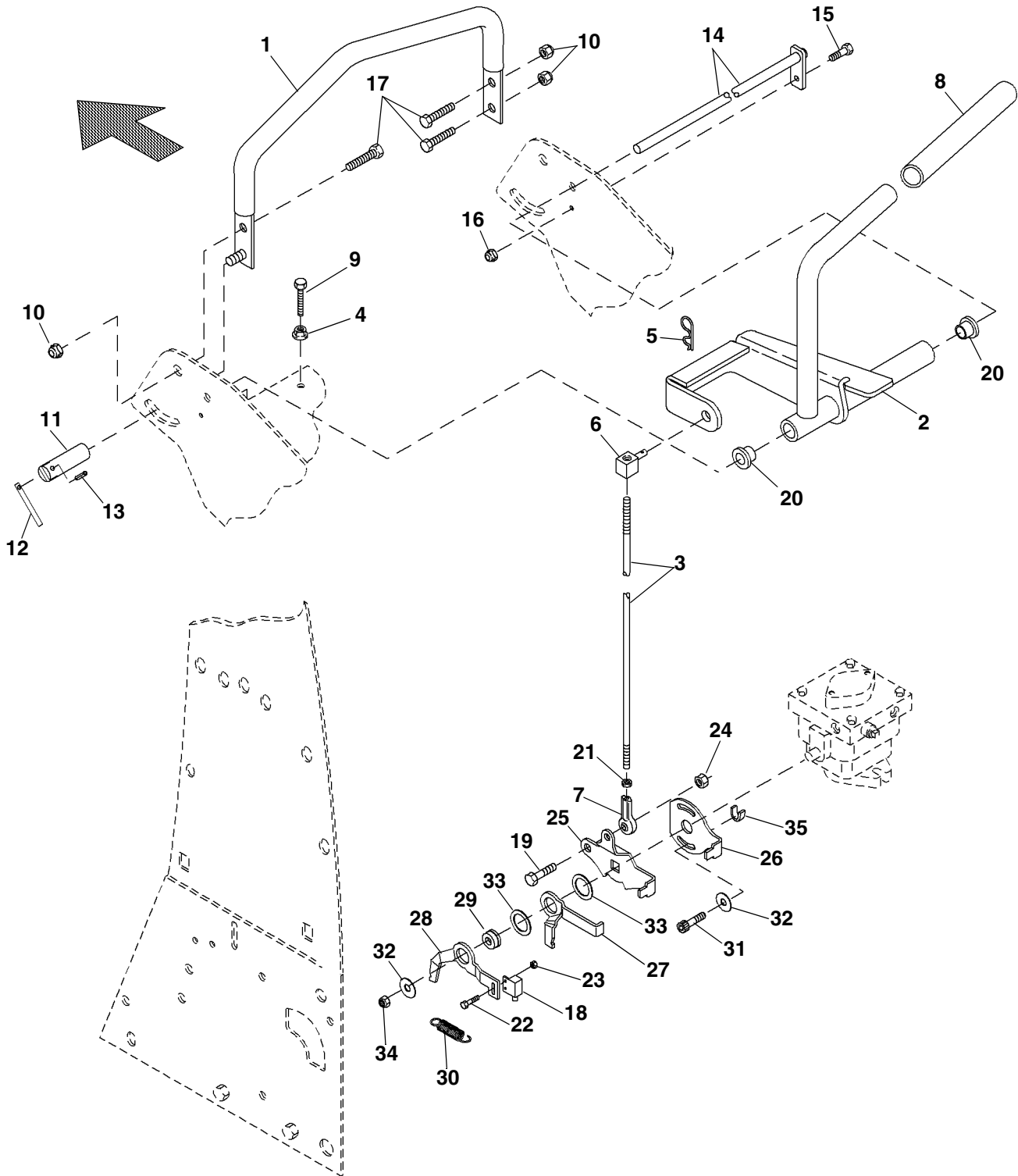


MX20137

MAIN FRAME, TRACTION DECK, CONSOLE AND OPC PLATFORM

Ref. No.	Part No.	Description	Qty.	Remarks
1	TCA14936	Frame	1	
2	D15356	Fender, Left	1	
	D15355	Fender, Right	1	
3	TCU18414	Weight	2	
4	19M7270	Cap Screw	6	M8 x 1.25 x 65
5	19M7803	Cap Screw	6	M8 x 1.25 x 70
6	14M7396	Nut	12	M8 x 1.25
7	JD7842	Lubrication Fitting	4	
8	TCA15349	Deck Shield Assembly	1	48" and 52" deck
	TCA15350	Deck Shield Assembly	1	61" deck
9	TCU18390	Platform	1	
10	TCU18391	Bracket, OPC Actuating	1	
11	TCU18393	Actuator Tab, OPC Switch	1	
12	D18111	Spring	6	
13	TCU18392	Bracket, Switch Actuator Tab	1	
14	M119352	Knob	2	
15	19M7818	Cap Screw	6	M12 x 1.75 x 80
16	14M7299	Nut	6	M12 x 1.75
17	03M7184	Carriage Bolt	4	M8 x 1.25 x 20
18	14M7396	Lock Nut	4	M8 x 1.25
19	14M7397	Flange Nut	1	M6 x 1.0
20	19M7775	Cap Screw	1	M6 x 1.0 x 10
21	AM103119	OPC Switch	1	
22	TCA14912	Control Console	1	
23	TCA14919	Side Bracket, Left	1	
24	TCA14918	Side Bracket, Right	1	
25	TCA15348	Handle Mount	1	
26	D15368	Plate, Thigh Pad	1	
27	TCA15060	Pad, Thigh	1	
28	TCA15371	Shield	1	
29	D15305	Plate	1	
30	TCA14856	Engine/Traction Deck	1	
31	03M7191	Carriage Bolt	6	M10 x 1.5 x 25
32	14M7400	Flange Nut, Locking	6	M10 x 1.5
33	19H1948	Cap Screw	4	1/4" x 3/4"
34	12H302	Lock Washer	4	1/4"
35	19M7784	Cap Screw, Flange Head	6	M10 x 1.5 x 20
36	19M7785	Cap Screw	4	M10 x 1.5 x 25
37	14M7400	Flange Nut, Locking	4	M10 x 1.5
38	19M7784	Cap Screw, Flange Head	4	M10 x 1.5 x 20
39	T34037	Cap Screw	4	3/8"-16 x 3/4"
40	19M7784	Cap Screw, Flange Head	2	M10 x 1.5 x 20
41	14M7400	Flange Nut, Locking	2	M10 x 1.5
42	19M7784	Cap Screw, Flange Head	6	M10 x 1.5 x 20
43	M115279	Plug	1	Optional light switch hole

DRIVE CONTROLS AND LINKAGE



MX20210

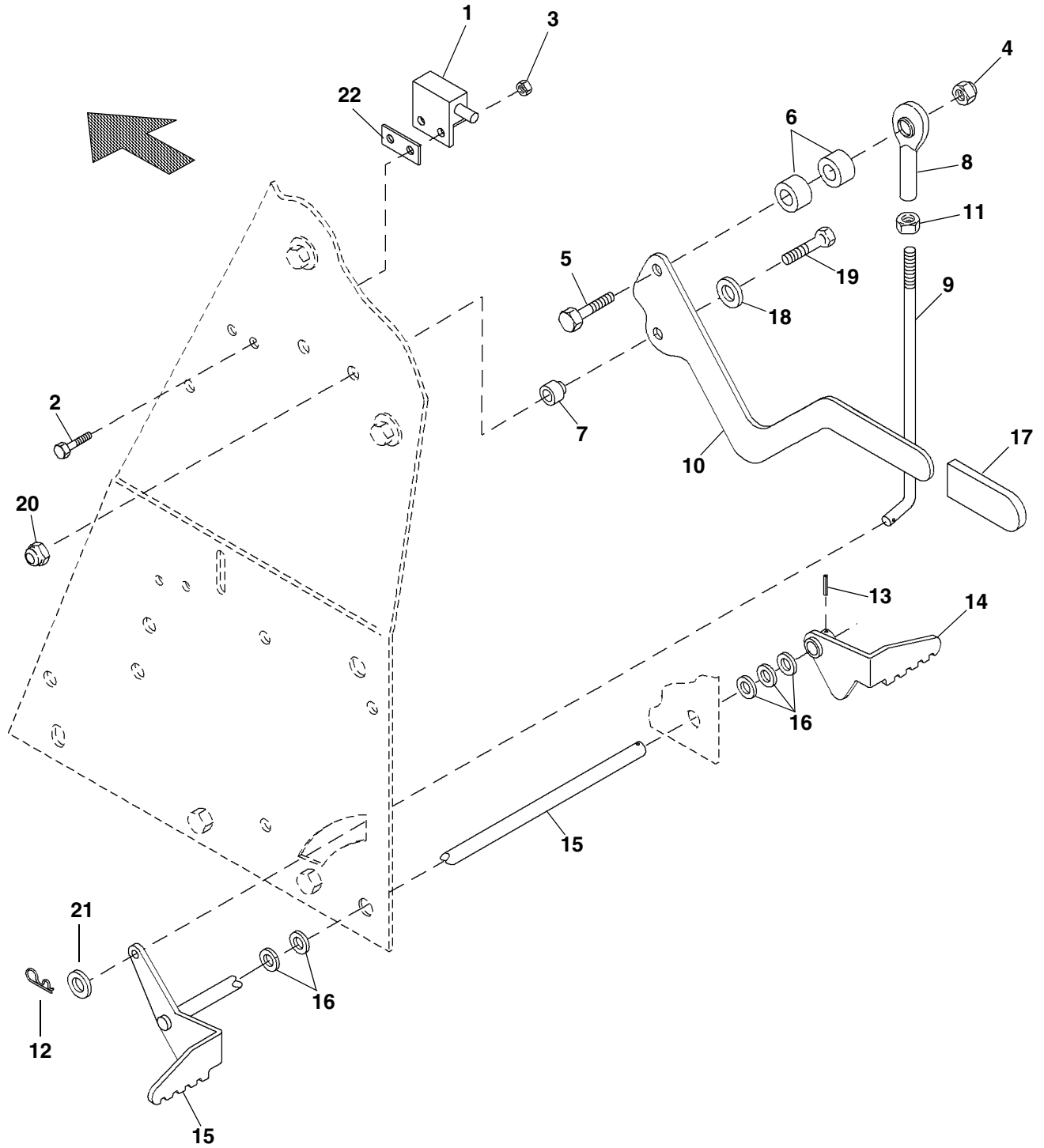
DRIVE CONTROLS AND LINKAGE

Ref. No.	Part No.	Description	Qty.	Remarks
1	D18069	Speed Limiter	1	
2	TCA14913	Steering Controller, RH	1	
	TCA14914	Steering Controller, LH	1	
3	D13029	Control Rod	2	
4	14M7303	Flange Nut	2	M6 x 1.0
5	J16913	Spring Pin	2	
6	D13028	Swivel	2	
7	D38157	Rod End	2	
8	D18063	Grip	2	
9	19M7547	Cap Screw, Reverse Stop	2	M6 x 1.0 x 55
10	14M7400	Flange Lock Nut	3	M10 x 1.5
11	D13308	Base, Speed Control Lock	1	
12	D13309	Handle	1	
13	D14244	Spring Pin	1	5/32 x 1
14	TCA15195	Shaft, Pivot	1	
15	19M7862	Cap Screw	1	M6 x 1.0 x 20
16	14M7397	Lock Nut	1	M6 x 1.0
17	19M7785	Cap Screw	3	M10 x 1.5 x 25
18	AM128925	Switch, Neutral	2	
19	D14145	Cap Screw	2	5/16-18 x 1
20	D18013	Bushing	4	
21	14H650	Jam Nut	2	5/16-24
22	19M7372	Cap Screw	2	M5 x 0.8 x 16
23	14M7360	Nut	2	M5 x 0.8
24	D14081	Lock Nut	2	5/16-18
25*	TCU19201	Arm, Control RTN	2	
26*	TCU19202	Arm, Return	2	
27*	TCU18929	Arm, RH Inner RTN	2	
	TCU18931	Arm, LH Inner RTN	2	
28*	TCU18932	Arm, LH Outer RTN	2	
	TCU18930	Arm, RH Outer RTN	2	
29*	TCU19203	Spacer	2	
30*	TCU19204	Spring	2	
31*	TCU19209	Screw	2	5/16 x 1 patch lock
32*	TCU19205	Washer	4	
33*	TCU19206	Washer, Nylon	4	
34*	TCU19207	Lock Nut	2	5/16-24
35*	TCU19208	Spacer	2	

* Included with new Hydrostatic Pump.

NOTES

PARK BRAKE



MX20211

PARK BRAKE

Ref. No.	Part No.	Description	Qty.	Remarks
1	D18038	Switch	1	
2	19M7373	Cap Screw	2	M5 x 0.8 x 20
3	14M7360	Nut	2	M5 x 0.8
4	K40003	Lock Nut	1	3/8"-16"
5	19H1801	Cap Screw	1	3/8"-16 x 2"
6	TCU12713	Spacer	2	
7	GDU10037	Bushing	1	
8	D28164	Swivel	1	
9	TCU18734	Rod	1	
10	D12352	Lever	1	
11	14H846	Nut	1	3/8"
12	J16931	Spring Pin	1	
13	34H268	Roll Pin	1	
14	TCA15174	Arm	1	
15	TCA15070	Shaft	1	
16	24H1413	Bushing	5	0.891" x 1.375" x 0.048"
17	D18079	Grip	1	
18	24H1341	Washer	1	17/32" x 15/16" x 0.060"
19	19M3804	Cap Screw	1	M10 x 1.5 x 40
20	14M7518	Flange Lock Nut	1	M10 x 1.5
21	24H1305	Washer	1	
22	M94087	Spacer Plate	3	

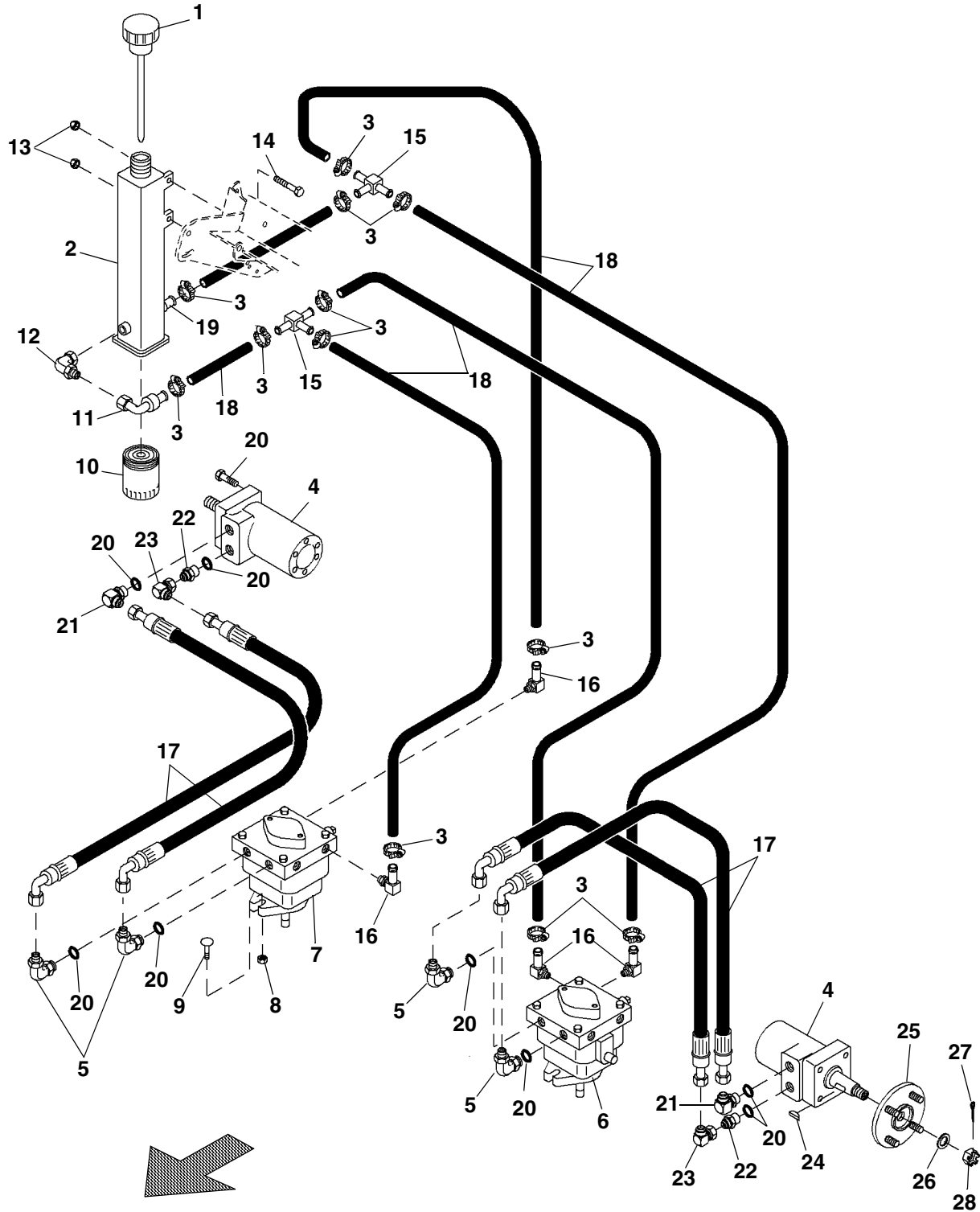
NOTES

HYDROSTATIC PUMP DRIVE AND PTO

Ref. No.	Part No.	Description	Qty.	Remarks
1	GDU10025	V-Belt	1	
2	TCA15316	Pulley, RH Pump	2	Set screws included
3	D28091	Pulley, Engine Drive	1	
4	GDA10017	PTO Clutch	1	
5	GDA10006	Bracket	1	
6	D18314	Idler	1	
7	GDA10004	Idler Post	1	
8	D18403	Bushing	2	
9	GDA10005	Idler Arm	1	
10	D18071	Spring, Idler	1	
11	D14213	Cap Screw	2	
12	E63526	Flange Nut	1	M10 x 1.5
13	U17408	Ring	1	
14	19H3031	Cap Screw	1	3/8" x 2-1/2"
15	14M7400	Lock Nut	3	M10 x 1.5
16	03M7191	Carriage Bolt	1	M10 x 1.5 x 25
17	D24022	Cap Screw, PTO Clutch	1	7/16" x 3"
18	D14208	Washer, Split Lock	1	
19	22H907	Set Screw	4	
20	D14160	Washer	2	
21	D18067	Key, Special	2	M5 x 28
22	19M7810	Cap Screw, Spring Anchor	1	M10 x 1.5 x 80
23	24H1305	Washer	1	
24	03M7191	Carriage Bolt	2	M10 x 1.5 x 25
25	D18058	Grease Fitting	1	
26	K40003	Lock Nut	2	
27	D44003	Washer	1	
28	D18145	Key, Special	1	
29	D18056	Spacer, PTO Clutch	1	

NOTES

HYDROSTATIC COMPONENTS



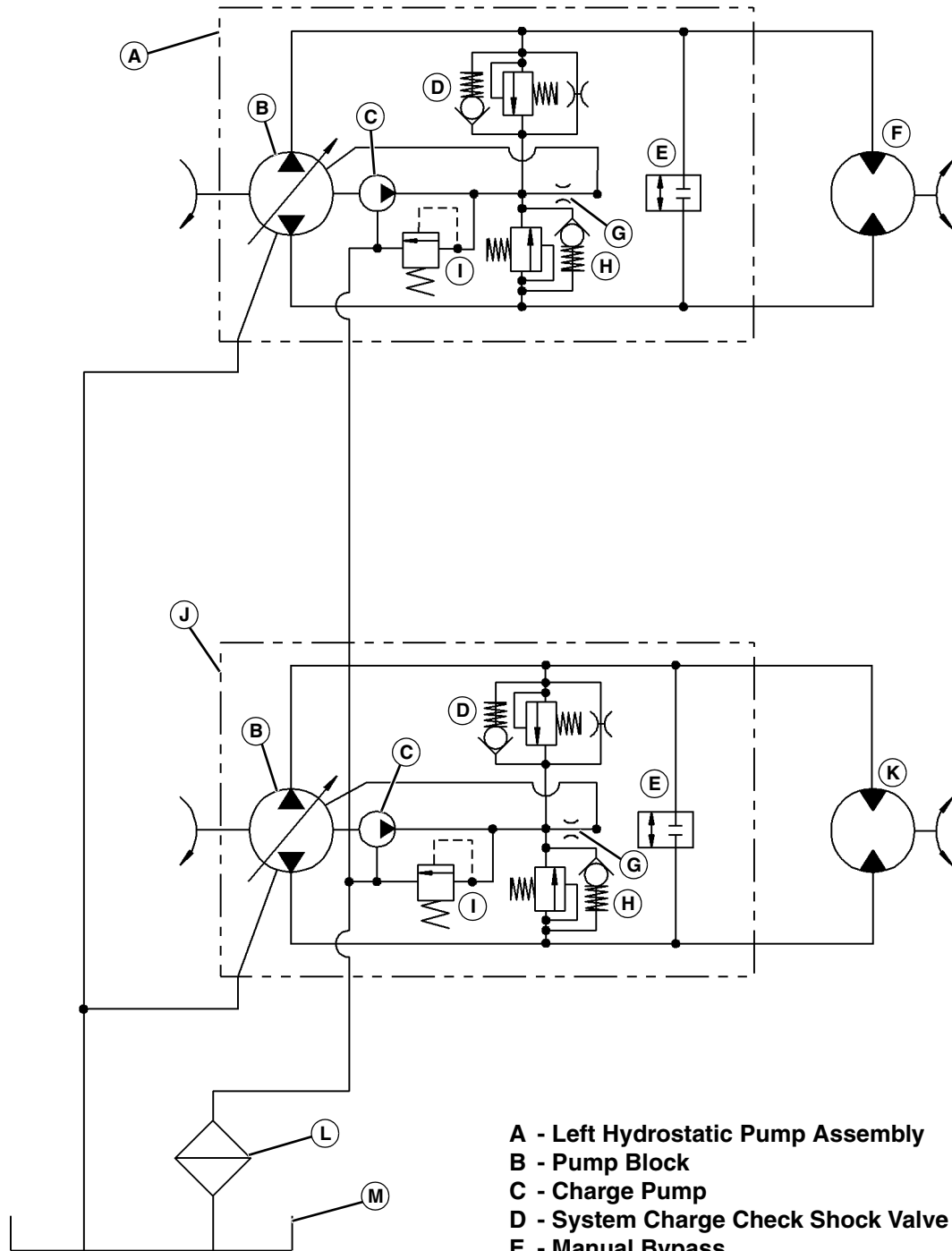
MX20223

HYDROSTATIC COMPONENTS

Ref. No.	Part No.	Description	Qty.	Remarks
1	TCA15122	Cap	1	
2	TCA15373	Hydraulic Reservoir	1	Includes decals
3	D18379	Hose Clamp	12	
4	TCA15078	Wheel Motor	2	
5	D14196	Elbow Fitting, Pump End	4	Includes O-ring
6	TCA14966	Pump, LH	1	Includes items 25-35 on page 5
7	TCA14965	Pump, RH	1	Includes items 25-35 on page 5
8	14M7518	Nut	4	M10 x 1.5
9	03M7192	Carriage Bolt, Pump Mounting	4	M10 x 1.5 x 30
10	GDA10137	Oil Filter	1	
11	GDA10066	Elbow Fitting	1	
12	X6C50X-5	Elbow Fitting	1	
13	14M7517	Lock Nut, Reservoir Mounting	2	M10 x 1.5
14	19M7784	Cap Screw, Reservoir Mounting	2	M10 x 1.5 x 20
15	M86863	Tee Fitting	2	
16	D24028	Fitting	4	
17	D18394	Hose, High Pressure	4	
18	TY22552	Hose, Return	AR	25 ft bulk (cut to length)
19	GDA10065	Adapter	1	
20	R26375	O-Ring	8	Included with fitting
21	AH20193	90° Fitting, Upper	2	Includes O-ring
22	R31665	Straight Adapter, Lower	2	Includes O-ring
23	AH75164	90° Fitting, Lower	2	
24	D18206	Key	2	
25	TCA15367	Hub	2	
26	24M7185	Washer	2	
27	11H237	Cotter Pin	2	
28	TCU19166	Castle Nut	2	
—	M78480	Tie Straps	AR	Not shown

NOTES

HYDRAULIC SCHEMATIC

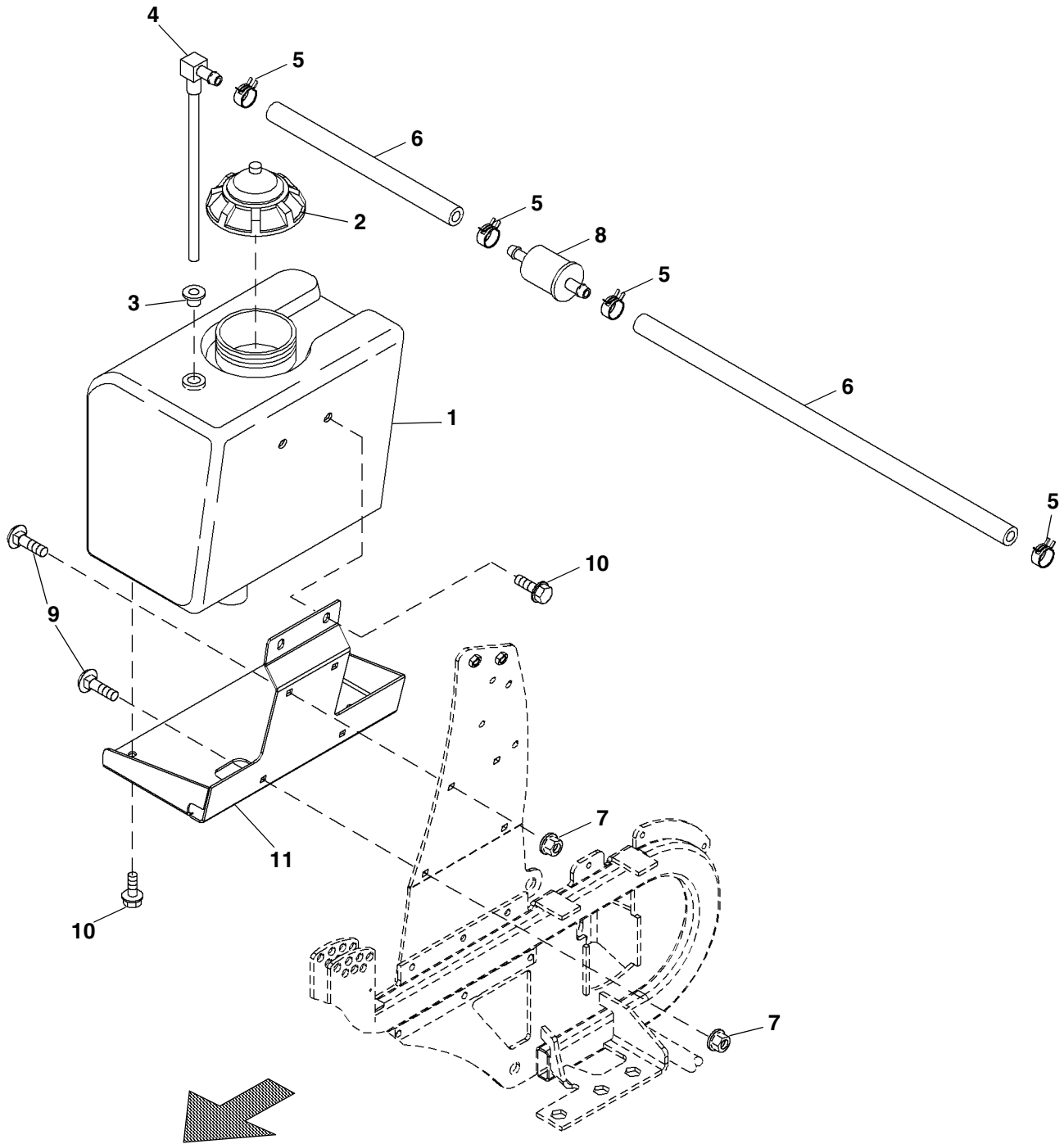


- A - Left Hydrostatic Pump Assembly
- B - Pump Block
- C - Charge Pump
- D - System Charge Check Shock Valve (Reverse)
- E - Manual Bypass
- F - Left Wheel Motor
- G - Cooling Orifice
- H - System Charge Check Shock Valve (Forward)
- I - Charge Relief Valve
- J - Right Hydrostatic Pump Assembly
- K - Right Wheel Motor
- L - Inlet Filter
- M - Hydraulic Reservoir

MX20151

NOTES

FUEL TANK AND LINES



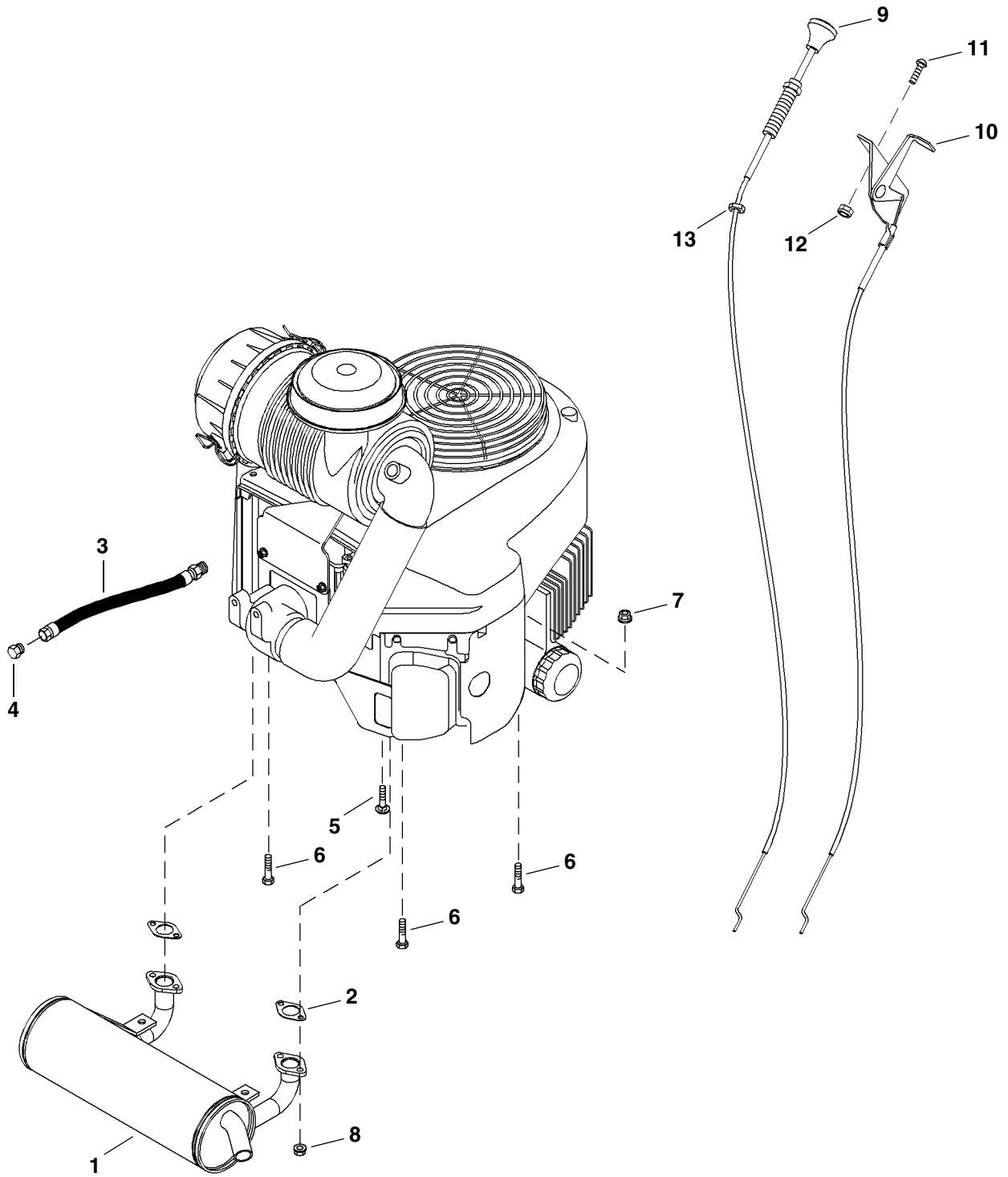
MX20229

FUEL TANK AND LINES

Ref. No.	Part No.	Description	Qty.	Remarks
1	TCA15021	Fuel Tank	1	
2	D18097	Cap, Fuel	1	
3	D18144	Grommet	1	
4	TCA15048	Fuel Pickup	1	
5	M68342	Clamp	5	
6	TY22551	Hose, Fuel, 1/4 in. SAE 30-R7	AR	25 ft bulk (cut to length)
7	14M7400	Nut	4	
8	AM116304	Filter	1	
9	03M7191	Cap Screw	4	
10	19M7865	Cap Screw	6	
11	TCU18489	Bracket	1	

NOTES

ENGINE AND RELATED COMPONENTS



ENGINE AND RELATED COMPONENTS

Ref. No.	Part No.	Description	Qty.	Remarks
1	D28121	Muffler	1	
2	*	Gasket	1	
3	TCA15389	Oil Drain Hose	1	
4	X6PMTX-S	Oil Drain Plug	1	
5	03M7188	Carriage Bolt, Engine Mounting	1	M8 x 1.25 x 40
6	19M8317	Cap Screw, Engine Mounting	3	M8 x 1.25 x 40
7	14M7396	Flange Lock Nut, Engine Mounting	4	M8 x 1.25
8	14M7298	Flange Nut, Muffler	4	M8 x 1.25
9	D18427	Cable, Choke	1	
10	D18359	Cable, Throttle	1	
11	D24020	Bolt, Throttle Cable	2	0.164" x 1/2"
12	M63431	Lock Nut, Throttle Cable	2	0.164"
13	14H846	Nut, Choke Cable	1	3/8"

* NOTE: See authorized KOHLER servicing engine dealer for engines and engine related service items. Always reference the engine model number when ordering parts.

NOTES

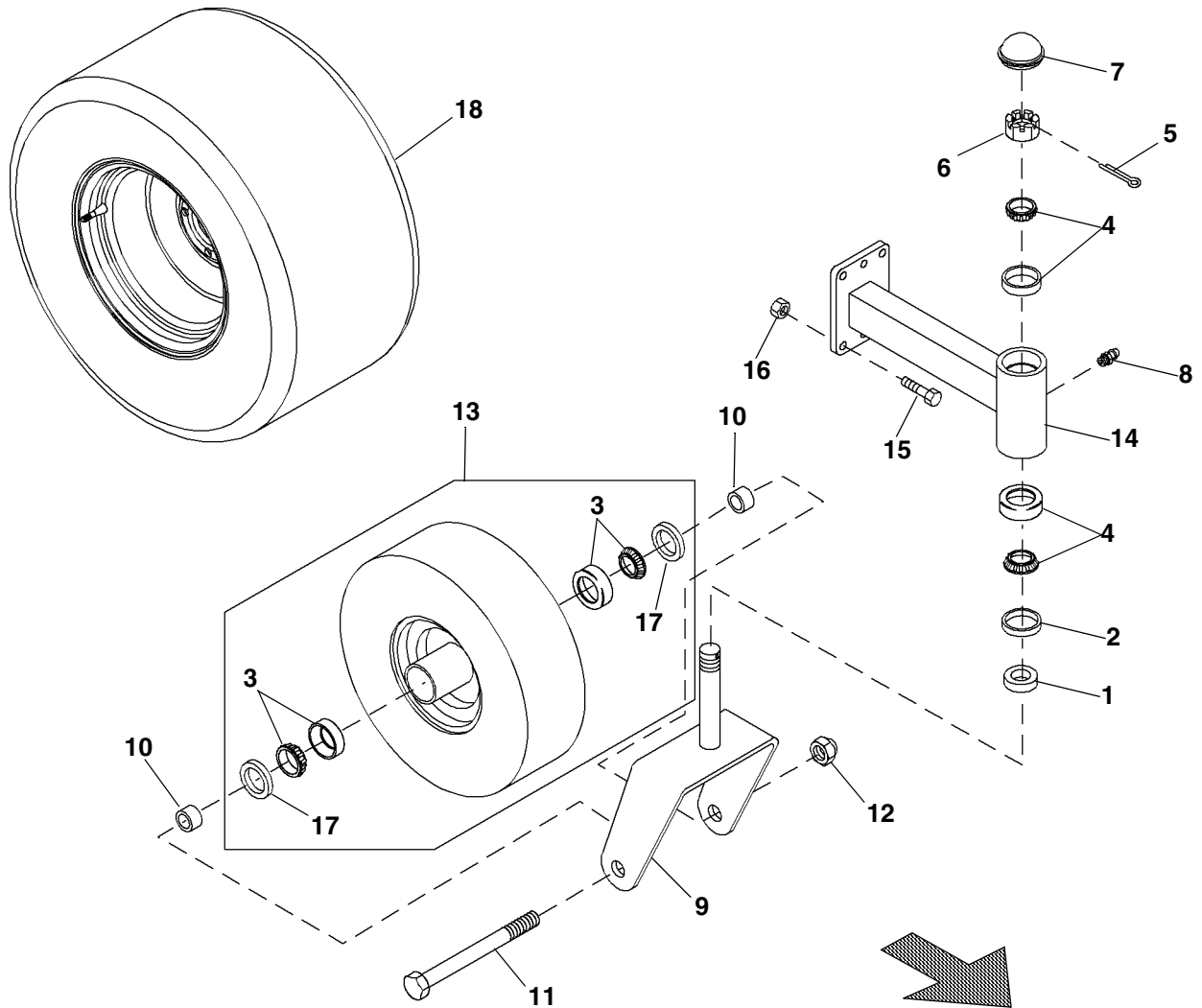
NOTES

BATTERY, ELECTRICAL HARNESS AND COMPONENTS

Ref. No.	Part No.	Description	Qty.	Remarks
1	TCA15061	Wiring Harness	1	Main
2	19M7372	Cap Screw	2	M5 x 0.8 x 16
3	14M7360	Nut	2	M5 x 0.8
4	AM123716	Relay	2	
5	57M7120	Fuse	2	20A
6	24H1283	Washer	1	
7	AM129887	Hour Meter	1	
8	TCU13098	Clip	1	
9	TCA15075	Key Switch	1	
10	M110159	Nut	1	
11	TCU17401	Ignition Key	1	
12	Am118802	Switch, PTO	1	
13	M72685	Spacer	1	
14	D28159	Isolator Pad	1	Battery
15	TCU18452	Battery Box	1	
16	D18318	Cable, Positive	1	
17	D18319	Cable, Negative	1	
18	14M7396	Flange Nut	2	M8 x 1.25
19	03M7184	Carriage Bolt	2	M8 x 1.25 x 20
20	03M7184	Carriage Bolt	4	M8 x 1.25 x 20
21	H110730	Flange Nut	2	5/16"
22	03H1832	Cap Screw	2	5/16" x 6"
23	14M7396	Nut	4	M8
24	TY25221	Dry Charged Battery	1	
—	M78480	Tie Strap	AR	Not shown

NOTES

CASTER WHEELS AND REAR WHEELS



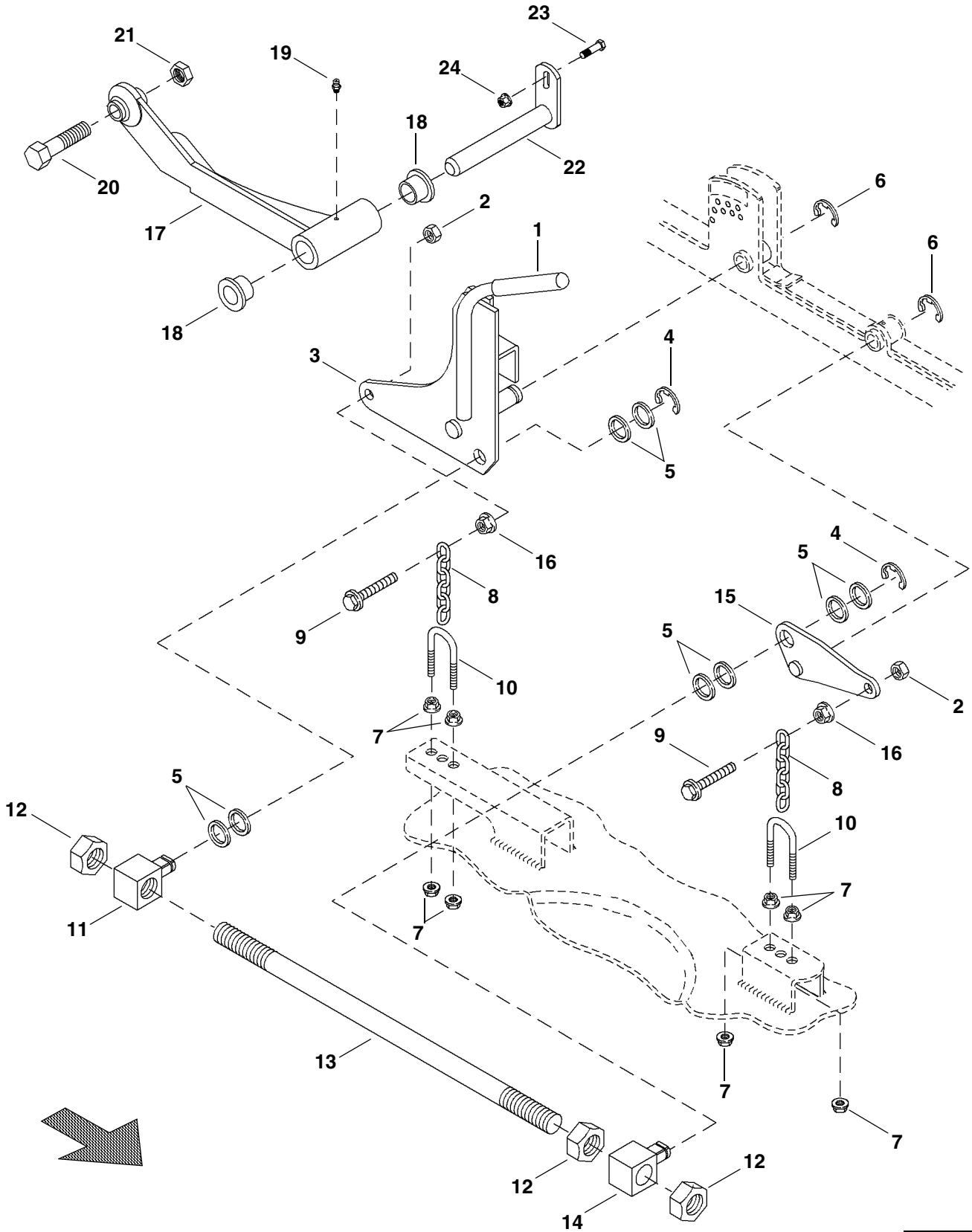
MX20207

CASTER WHEELS AND REAR WHEELS

Ref. No.	Part No.	Description	Qty.	Remarks
1	TCU17863	Spacer, Caster Bushing	2	
2	E14625	Seal	2	
3	D38035	Bearing Assembly, Caster Wheel	4	Cup and cone
4	D28051	Bearing Assembly, Caster Yoke	4	Cup and cone
5	11M7083	Cotter Pin	2	
6	A12188	Castle Nut	2	1"-14
7	M135582	Cap, Bearing	2	
8	JD7844	Grease Fitting	2	
9	D25004	Yoke	2	
10	D33007	Spacer, Caster Wheel	4	
11	D28097	Cap Screw	2	3/4"-16 x 8"
12	D24008	Nut	2	3/4"-16
13	D38009	Caster Wheel and Tire Assembly	2	Includes items 3 and 17
14	TCA15086	Caster Arm	2	
15	19M7785	Cap Screw	12	M10 x 1.5 x 25
16	14M7518	Nut	12	M10 x 1.5
17	D38065	Seal	4	
18	TCA15147	Wheel and Tire Assembly, Rear	2	48" deck, 20 x 8-8 tire
	TCA15148	Wheel and Tire Assembly, Rear	2	52" & 61" deck, 20 x 10-8 tire
—	JD26	Lug Nut, Rear Wheel	8	Not shown

NOTES

MOWER DECK LIFT LINKAGE



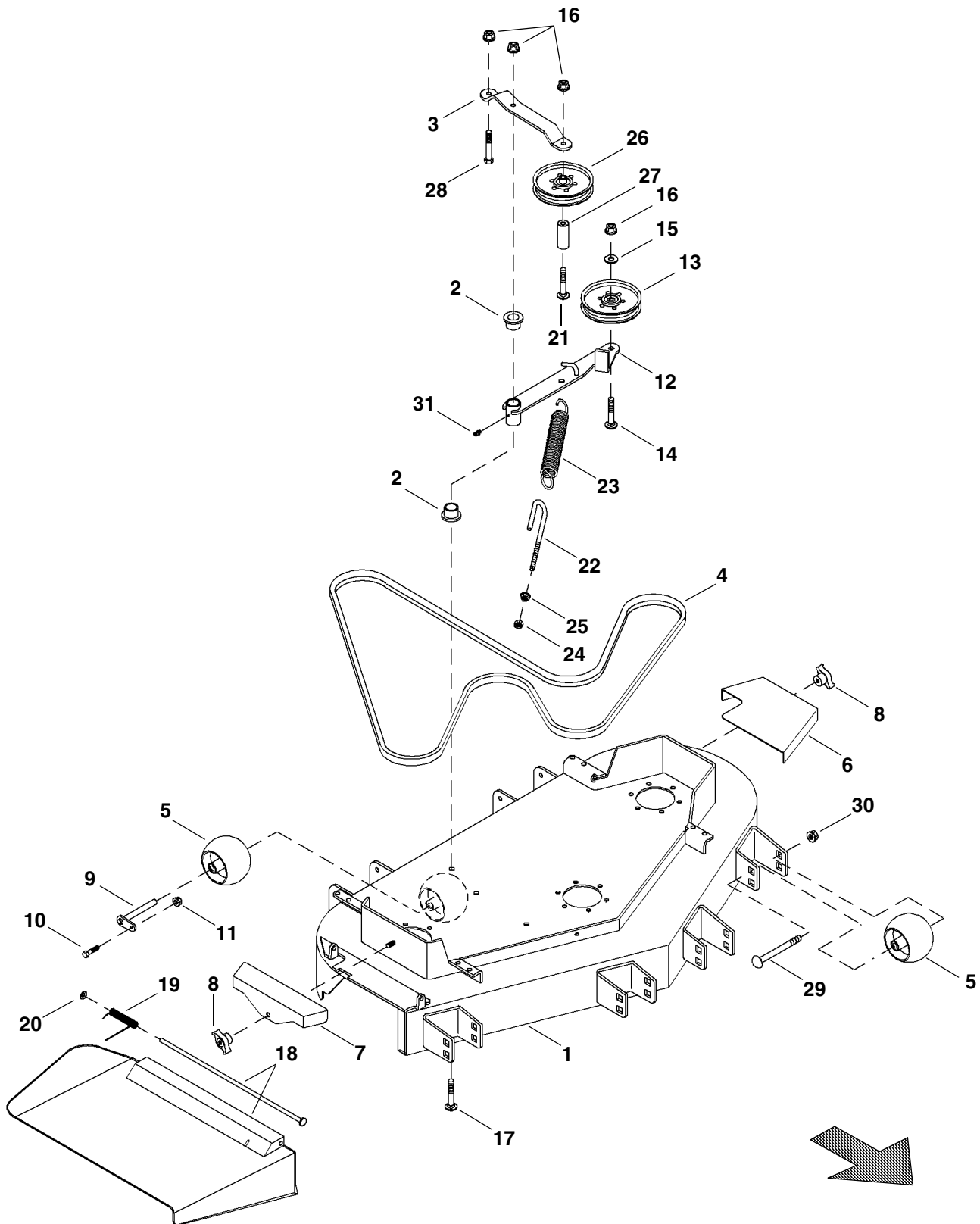
MX20232

MOWER DECK LIFT LINKAGE

Ref. No.	Part No.	Description	Qty.	Remarks
1	D18225	Grip	2	
2	14M7518	Lock Nut	4	M10 x 1.5
3	GDA10010	Lift Arm, LH Rear	1	
	GDA10009	Lift Arm, RH Rear	1	
4	P46402	Snap Ring	4	
5	24H1413	Washer	16	
6	R27434	Snap Ring	4	
7	14H1090	Nut	8	3/8"
8	TCA15193	Chain, Deck Lift	4	
9	19M8162	Cap Screw	4	M10 x 1.5 x 40
10	GDU10048	U-Bolt	4	
11	TCU13281	Swivel	2	Threaded
12	14H1058	Nut	6	3/4"
13	TCU15817	Rod, Deck Lift	2	
14	TCU13254	Swivel	2	
15	GDA10008	Lift Arm, LH Front	1	
	GDA10007	Lift Arm, RH Front	1	
16	E63526	Nut	4	M10 x 1.5
17	TCA14877	Thrust Arm, LH, 48" Deck	1	
	TCA14876	Thrust Arm, RH, 48" Deck	1	
	TCA14879	Thrust Arm, LH, 52" Deck	1	
	TCA14878	Thrust Arm, RH, 52" Deck	1	
	TCA14881	Thrust Arm, LH, 61" Deck	1	
	TCA14880	Thrust Arm, RH, 61" Deck	1	
18	D18076	Bushing	4	
19	JD8744	Grease Zerk	3	
20	19H3280	Bolt	2	3/4-16 x 3 HHCS
21	D24008	Nut	2	3/4-16 PTHN
22	TCA13292	Pivot Pin, Thrust Arm	2	
23	03M7185	Bolt	2	1/4-20 x 1 CHCS
24	14M7396	Nut	2	1/4-20

NOTES

MOWER DECK



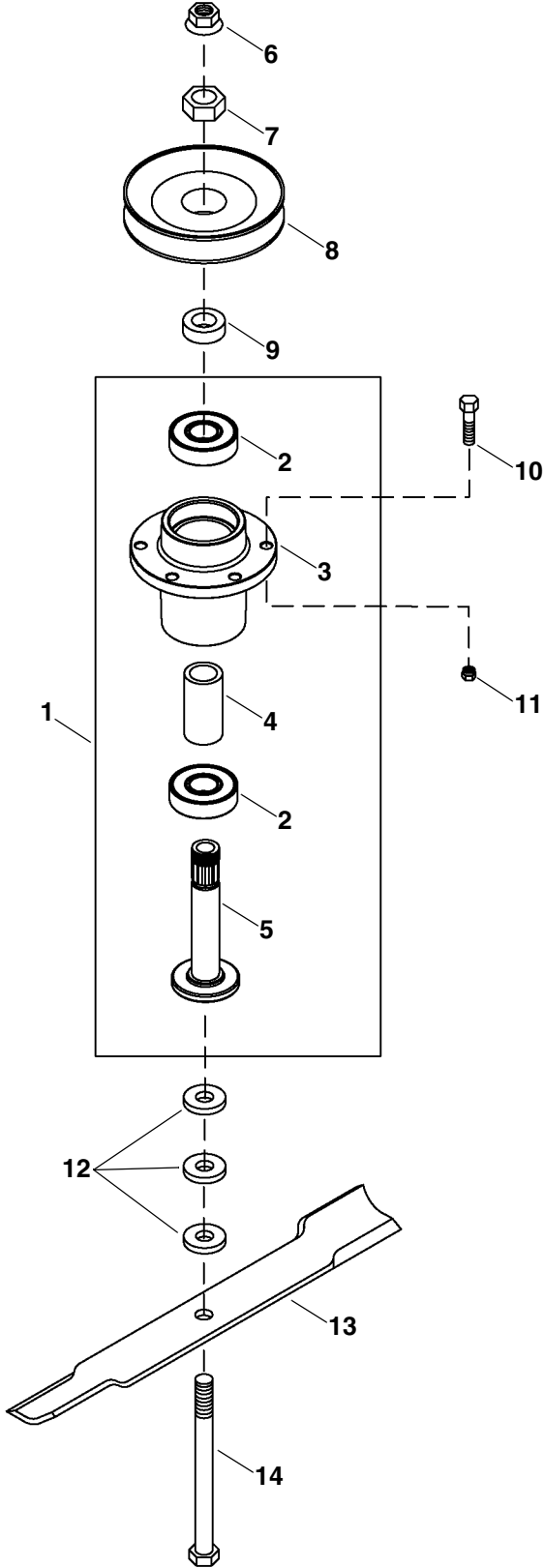
MX20240

MOWER DECK

Ref. No.	Part No.	Description	Qty.	Remarks
1	TCA15385	Mower Deck, 48"	1	
	TCA15386	Mower Deck, 52"	1	
	TCA15387	Mower Deck, 61"	1	
2	TCU14540	Bushing	2	
3	TCU18344	Support Strap	1	
4	TCU18847	Belt, Engine-to-Blades, 48" Deck	1	
	TCU18848	Belt, Engine-to-Blades, 52" Deck	1	
	TCU18849	Belt, Engine-to-Blades, 61" Deck	1	
5	TCU18744	Roller, Anti-Scalp	2	48" and 52" deck
	TCU18744	Roller, Anti-Scalp	6	61" deck
6	TCU18411	Belt Cover, LH	1	48" and 52" deck
	TCU18413	Belt Cover, LH	1	61" deck
7	TCU18410	Belt Cover, RH	1	48" deck
	TCU18411	Belt Cover, RH	1	52" deck
	TCU18413	Belt Cover, RH	1	61" deck
8	M119352	Knob, Belt Cover	2	
9	GDA10103	Pivot, Anti-Scalp Roller	2	
10	03H1729	Bolt	2	1/4-20 x 1 CHCS
11	H122207	Nut	2	1/4-20 PTFHN
12	TCA15346	Arm, Idler Engine-to-Blade	1	
13	D18032	Pulley, Flat Tension Idler	1	
14	03H1658	Bolt	1	3/8-16 x 2-1/4 CHCS
15	24H1305	Washer	1	3/8 SAE
16	K40003	Nut	4	3/8-16 PTHN
17	03H1836	Bolt	1	3/8-16 x 3-1/2 CHCS
18	AM128170	Discharge Chute	1	48" deck
	AM128243	Discharge Chute	1	52" and 61" deck
19	M132768	Spring, Torsional Discharge Chute	1	
20	H141123	Clip, Retainer	1	
21	03H2120	Bolt	1	3/8-16 x 3-3/4 CHCS
22	D23058	J-Hook	1	
23	N242189	Spring, Deck Belt Tension	1	
24	N10215	Nut	1	3/8-16 PTHN
25	14H1090	Nut	1	3/8-16 PTHN
26	D28050	Pulley, Flat Blade-to-Blade	1	
27	TCU18742	Spacer, Blade-to-Blade Pulley	1	
28	03H1480	Bolt	1	3/8-16 x 1-1/4 CHCS
29	03H1853	Bolt	4	61" deck only, 1/2 x 4-1/2 x 13 CHCS
30	E62934	Flange Lock Nut	4	61" deck only, 1/2-13
31	JD7844	Grease Zerk	1	

NOTES

MOWER DECK SPINDLES



MX20236

MOWER DECK SPINDLES


Ref. No.	Part No.	Description	Qty.	Remarks
1	D18030	Spindle Assembly	1	Includes items 2, 3, 4, 5
2	D18045	Ball Bearing	2	
3	D11000	Housing	1	
4	D18033	Spacer	1	
5	D18048	Shaft, Spindle	1	
6	D14282	Nut, Blade Bolt	3	5/8-18 HHN
7	D13055	Nut, Pulley (Special)	3	
8	D18209	Pulley, Cutter Housing, 48" Deck	3	
	D18084	Pulley, Cutter Housing, 52" Deck	3	
	D18211	Pulley, Cutter Housing, 61" Deck	3	
9	D13024	Spacer, Pulley	3	
10	19M7786	Bolt	18	M10 x 1.5 x 30 HHFCS
11	E63526	Nut	18	M10 x 1.5 HHSFN
12	D18055	Spacer, Blade Bolt	9	
13	GDU10230	16.5" Blade, 48" Deck	3	
	GDU10231	18.0" Blade, 52" Deck	3	
	GDU10232	21.0" Blade, 61" Deck	3	
14	D14101	Bolt, Blade	3	5/8-18 x 7-3/4 HHCS

NOTES

LABELS AND DECALS


GREAT DANE™

⚠ DANGER Do not mow without discharge chute or entire grass catcher in place.




⚠ PELIGRO No usar la máquina sin el tubo de descarga o sin el recogedor de pasto en su lugar.

⚠ WARNING Hot surface




⚠ ADVERTENCIA Superficie caliente

⚠ DANGER To avoid injury to children, stop mower when children are near. Do not mow in reverse. Look behind when backing. Never carry riders, especially children.




⚠ PELIGRO Para evitar las lesiones, parar la segadora cuando hay niños en las cercanías. No cortar en retroceso. Mirar hacia atrás mientras se hace retroceder la máquina. Nunca llevar pasajeros, especialmente los niños.

⚠ DANGER To avoid injury from rotating blades, stay clear of deck edge.



⚠ PELIGRO Para evitar lesiones causadas por las cuchillas, manténgase alejado del borde de la plataforma de corte.

⚠ DANGER To avoid injury from rotating blades and thrown objects, stay clear of deck edge and keep others away. Do not mow without discharge chute or entire grass catcher in place.



⚠ PELIGRO Para evitar sufrir lesiones causadas por cuchillas giratorias y objetos lanzados, manténgase alejado del borde de la plataforma de corte y mantener a las demás personas alejadas de la máquina. No usar la máquina sin el tubo de descarga o sin el recogedor de pasto en su lugar.

FORWARD AVANCE
RIGHT TURN VIRAJE A DERECHA
LEFT TURN VIRAJE A IZQUIERDA
REVERSE RETROCESO

NO STEP

⚠ WARNING To avoid injury from tipover, drive across slopes, not up and down. If machine stops going uphill, stop blades and back down slowly.

⚠ ADVERTENCIA Para evitar las lesiones causadas por la volcadura de la máquina, viajar en sentido transversal en vez de hacia arriba y abajo. Si la máquina se para mientras se sube una pendiente, detener las cuchillas y bajar lentamente en retroceso.


⚠ CAUTION HELP AVOID INJURY

- Operator training required
- Read operator's manual
- Keep shields in place
- Never carry riders
- Keep people a safe distance away
- Maintain all safety devices
- Before leaving machine: -Stop engine -Set park brake -Remove key

⚠ ATENCION AYUDAR A EVITAR LESIONES

- Se requiere entrenamiento del operador
- Leer el manual del operador
- Mantener los escudos en su lugar
- No llevar pasajeros
- Mantener a las demás personas a una distancia prudente
- Mantener los dispositivos de seguridad en buen estado
- Antes de abandonar de la máquina: -Apagar el motor -Aplicar el freno de estacionamiento -Sacar la llave

⚠ WARNING To avoid injury from rotating belts, keep all shields and guards in place.



⚠ ADVERTENCIA Para evitar ser lesionado por las correas en movimiento, mantener todos los escudos y protectores en su lugar.

⚠ CAUTION BE SAFE! TO AVOID A FIRE HAZARD REMOVE ALL LEAVES, GRASS AND DEBRIS FROM ENGINE, HYDRO PUMPS AND MOTORS, PULLEYS, BELTS, HOSES, ENGINE DECK AND CUTTER DECK

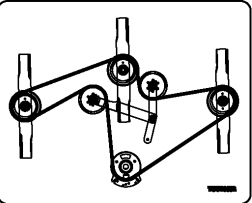
48

52


61

HYDRO OIL RESERVOIR


USE ONLY QUAKER STATE 5W50 SYNTHETIC OIL OR EQUIVALENT



⚠ WARNING HOT SURFACE



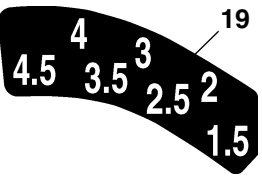
CAUTION BEFORE OPERATING READ OPERATORS MANUAL AND SAFETY INSTRUCTIONS



MANUFACTURED UNDER THE FOLLOWING PATENT(S):
5,964,082; 5,765,347; 5,600,944
5,507,138; 5,809,756; 6,085,504
6,094,897; 6,189,305; 6,189,304
AND OTHER PATENT(S) PENDING

U.S. Patent No. 5,343,678

4.5 3.5 2.5 2 1.5



⚠ WARNING HOT SURFACE

⚠ CAUTION BEFORE OPERATING READ OPERATORS MANUAL AND SAFETY INSTRUCTIONS

SUPER SURFER Series II

LABELS AND DECALS

Ref. No.	Part No.	Description	Qty.	Remarks
1	TCU19019	Decal	1	"Great Dane"
2	M137637	Decal	1	Danger-Rotating Blades
3	D28181	Decal	1	No Step (61" only)
4	TCU15907	Decal	1	Warning-Avoid Tipover
5	TCU15909	Decal	1	Patent
6	TCU17047	Decal	1	Patent
7	M134406	Decal	1	Warning-Hot Surface
8	TCU51336	Decal	1	Danger-Child
9	TCU16323	Decal	1	Park Brake
10	TCU14840	Decal	1	General Caution
11	TCU51051	Decal	2	Danger-Rotating Belts
12	M131739	Decal	2	Danger-Blade Contact
13	D18372	Decal	1	Caution-Fire Hazard
14	M131748	Decal	1	Danger-Thrown Objects
15	GDU10267	Decal	1	48"
16	GDU10268	Decal	1	52"
17	GDU10269	Decal	1	61"
18	TCU15910	Decal	1	Directional Control
19	TCU15911	Decal	1	Cut Height, LH
	TCU15912	Decal	1	Cut Height, RH
20	D18021	Decal	1	Throttle
21	D18023	Decal	1	Hydro Oil Reservoir
22	M117554	Decal	1	Warning-Hot Surface (Reservoir)
	M134406	Decal	1	Warning-Hot Surface (Belt Cover)
23	TCU16481	Decal	1	PTO / Ignition
24	TCU19020	Decal	3	Super Surfer Series II
25	TCU18852	Decal	1	Belt Path

NOTES

