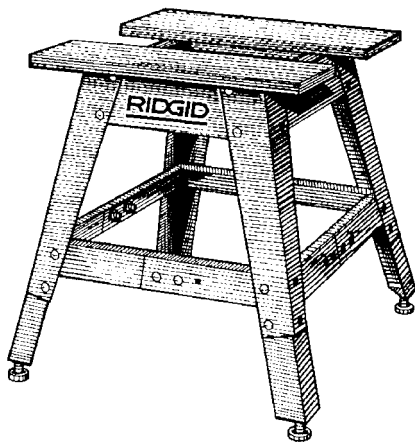


RIDGID®

AC9910 OWNERS MANUAL



- Use With the following RIDGID Bench Top Power Tools
 - SS1650 Scroll Saw
 - MS1050 Miter Saw
 - MS1250 Miter Saw
 - EB4424 Edge Belt/Spindle Sander
 - TS2400 Table Saw
 - TP1300 Thickness Planer
- Use With Many Other Bench Top Tools

Universal Bench Top Power Tool Legstand

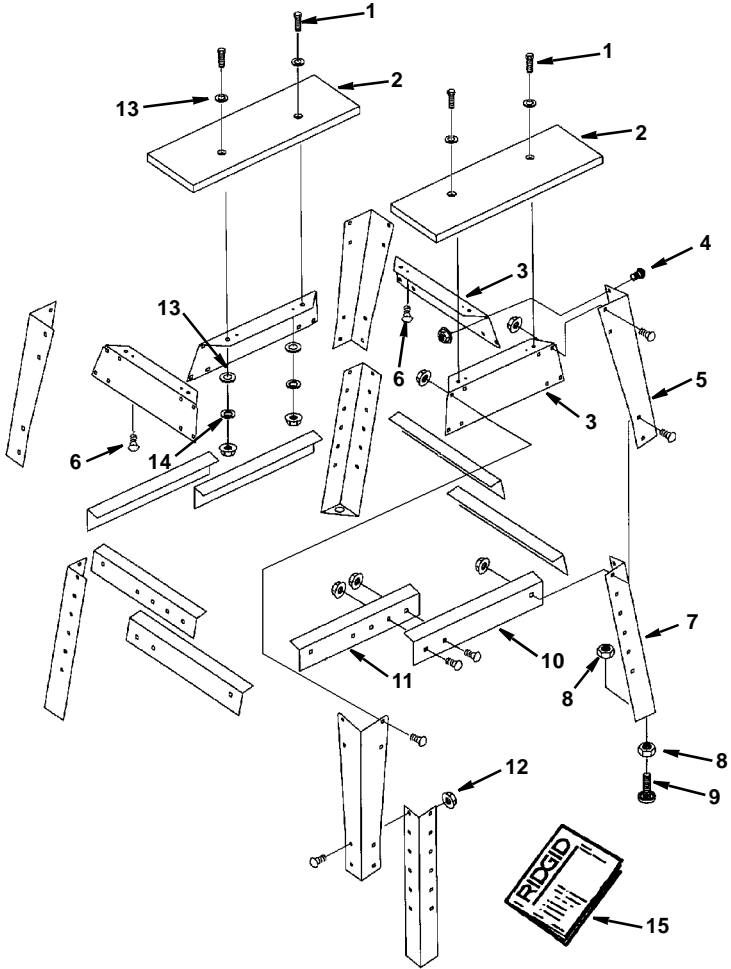
- **Assembly**
- **Operation**

**QUESTIONS OR COMMENTS?
CALL 1-800-4-RIDGID**
www.ridgidwoodworking.com

For Your Safety:
Read all instructions carefully

Repair Parts

Power Tool Legstand Model Number AC99100
 RIDGID parts are available at www.ridgidparts.com



Key No.	Part No.	Description
1	*	Screw Pan Hd 1/4-20 x 1-1/4
2	827562	Table
3	827558	Stiffener Upper
4	827642	Bolt Carriage Short Neck 5/16-18 x 1/2
5	827557	Leg Upper
6	*	Screw Pan Hd #8 x 3/4
7	827556	Leg Lower

Key No.	Part No.	Description
8	*	Nut Hex 3/8-16
9	803835-3	Foot Leveling 3/8
10	827560	Stiffener Lower Right
11	827561	Stiffener Lower Left
12	826817-1	Nut Hex Flange 5/16 -18
13	*	Washer 17/64 x 5/8 x 1/16
14	*	Lockwasher 1/4
15	SP6227	Owners Manual

* Standard hardware - may be purchased locally.