

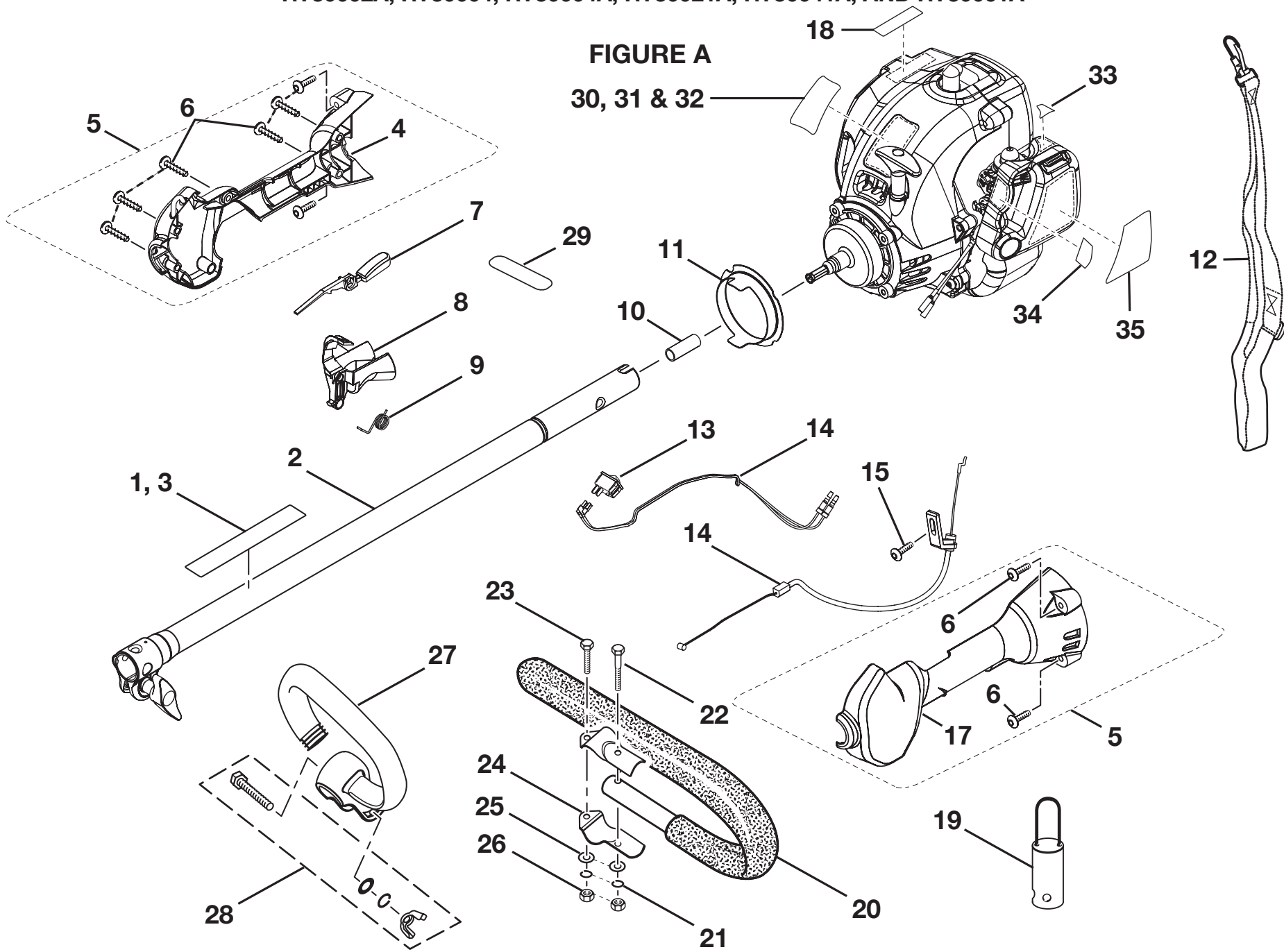


**30cc STRING TRIMMERS  
30cc BRUSHCUTTERS  
REPAIR SHEET**

**MODEL NUMBERS  
RY30000, RY30000A,  
RY30002, RY30002A,  
RY30004, RY30004A  
RY30021A, RY30041A  
RY30061A**

RYOBI 30CC STRING TRIMMERS AND BRUSHCUTTERS MODEL NUMBERS – RY30000, RY30000A, RY30002, RY30002A, RY30004, RY30004A, RY30021A, RY30041A, AND RY30061A

FIGURE A

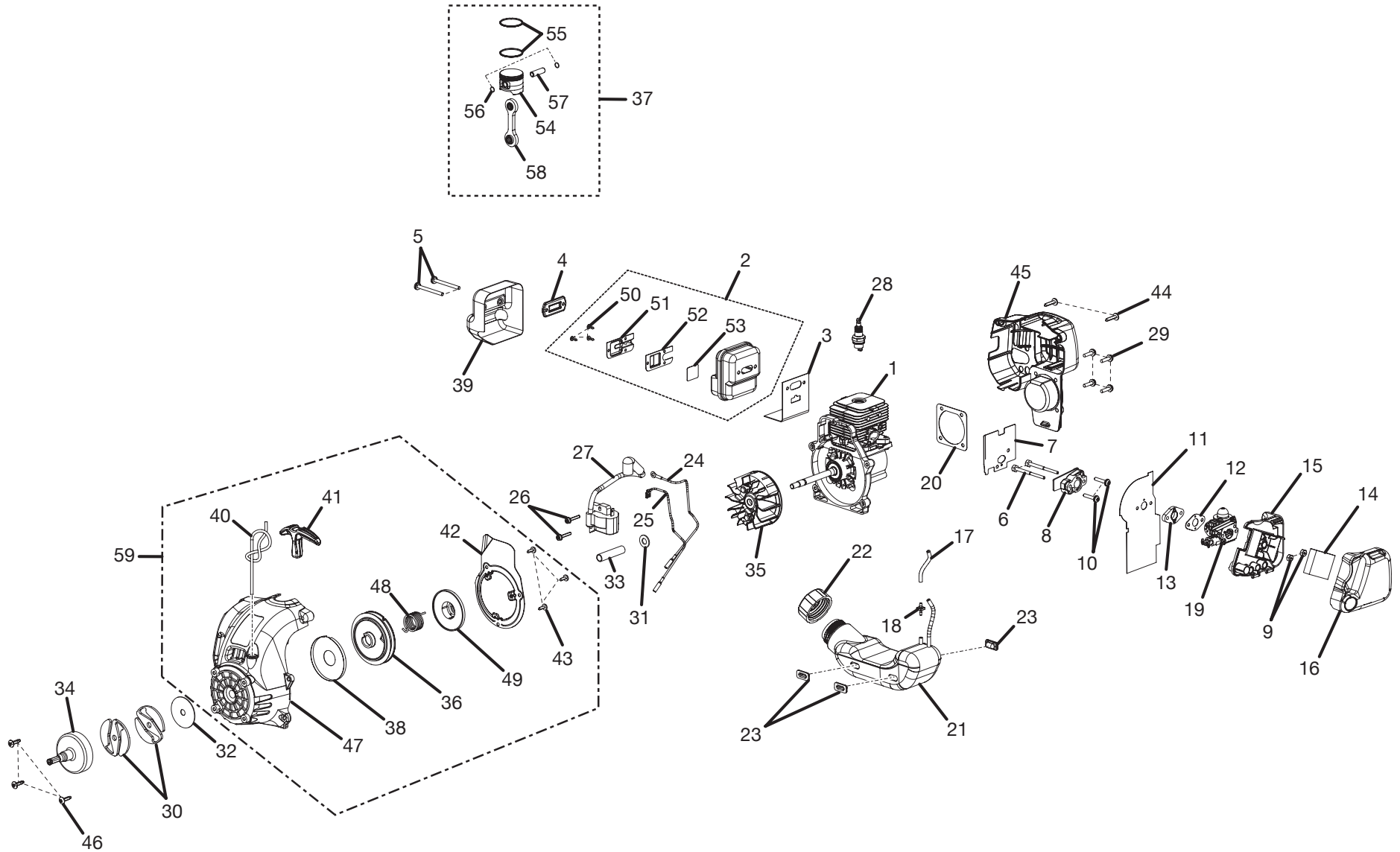


**RYOBI 30CC STRING TRIMMERS AND BRUSHCUTTERS MODEL NUMBERS – RY30000, RY30000A, RY30002, RY30002A, RY30004, RY30004A, RY30021A, RY30041A, AND RY30061A**

**FIGURE A PARTS LIST**

<b>KEY NO.</b>	<b>PART NUMBER</b>	<b>DESCRIPTION</b>	<b>QTY.</b>	<b>KEY NO.</b>	<b>PART NUMBER</b>	<b>DESCRIPTION</b>	<b>QTY.</b>
<b>POWER HEAD INFORMATION:</b>				17	PS01124	CONTROL HANDLE (R/H) . . . . .	1
<b>985111001 . RY30000, RY30000A, RY30002, RY30002A, RY30004, RY30004A</b>				18	985157001	LOGO PLATE . . . . .	1
<b>985111002. RY30021A, RY30041A, RY30061A</b>				19	PS02155	HANGER CAP . . . . .	1
1	984032002	WARNING DECAL . . . . .	1	20	A08130	“J” HANDLE AND GRIP . . . . .	1
2	985568003	BOOM ASSEMBLY (TRIMMER) . . . . .	1	21	83009	LOCK WASHER . . . . .	2
	985571003	BOOM ASSEMBLY, UPPER (BRUSHCUTTER)		22	82278	HEX HEAD BOLT . . . . .	1
3	984102002	WARNING DECAL . . . . .	1	23	82496	SCREW . . . . .	1
4	PS01125	CONTROL HANDLE (L/H) . . . . .	1	24	00422	HANDLE BAR CLAMP . . . . .	2
5	985382001	HANDLE ASSEMBLY (W/OUT SCREWS) .	1	25	84004	WASHER . . . . .	2
6	82589	HANDLE SCREW . . . . .	9	26	81242	HEX NUT . . . . .	2
7	PS06258	TRIGGER LOCK . . . . .	1	27	06542A	“D” HANDLE (CS & SS) . . . . .	1
8	PS06259	TRIGGER . . . . .	1	28	PA00249	FASTENER PARTS KIT (CS & SS) . . . . .	1
9	PS01718	SPRING . . . . .	1	29	984240001	ON/OFF LABEL . . . . .	1
10	PS00180	SLEEVE . . . . .	1	30	985162001	MODEL LABEL (CS30) . . . . .	1
11	985251001	RING GUARD . . . . .	1	31	985163001	MODEL LABEL (SS30) . . . . .	1
12	944701	SHOULDER STRAP . . . . .	1	32	985164001	MODEL LABEL (BC30) . . . . .	1
<b>SWITCH INFORMATION:</b>				33	985159001	PRIMER LABEL . . . . .	1
<b>PS02764</b>	<b>RY30000A, RY30002A, RY30004A, RY30021A, RY30041A, RY30061A</b>			34	985160001	CHOKE LABEL . . . . .	1
<b>07385</b>	<b>RY30000, RY30002, RY30004</b>			35	985161001	STARTING LABEL . . . . .	1
13	PS02764	SWITCH (MOMENTARY CONTACT) . . . . .	1		983000401	OPERATOR’S MANUAL	
	07385	SWITCH . . . . .	1		983000462	CUSTOMER SHEET	
14	PA00387	LEAD ASSEMBLY . . . . .	1		983000401R	REPAIR SHEET	
15	82538	SCREW . . . . .	1		05-25-04		
16	PS01177	THROTTLE CABLE . . . . .	1				

**RYOBI 30CC STRING TRIMMERS AND BRUSHCUTTERS MODEL NUMBERS – RY30000, RY30000A, RY30002, RY30002A, RY30004, RY30004A, RY30021A, RY30041A, AND RY30061A**



**RYOBI 30CC STRING TRIMMERS AND BRUSHCUTTERS MODEL NUMBERS – RY30000, RY30000A, RY30002, RY30002A, RY30004, RY30004A, RY30021A, RY30041A, AND RY30061A**

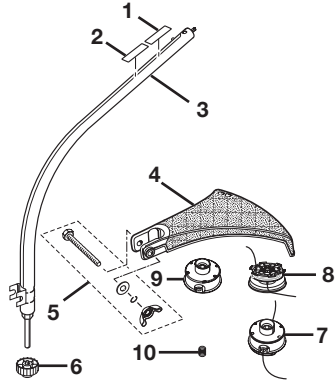
KEY NO.	PART NUMBER	DESCRIPTION	QTY.	KEY NO.	PART NUMBER	DESCRIPTION	QTY.
1	984867001	SHORT BLOCK ASSEMBLY .....	1	30	00242	CLUTCH .....	2
2	984761001	MUFFLER ASSEMBLY (NON-CAT.) (985111001 PH).....	1	31	PS05268	WASHER.....	1
	984748001	MUFFLER ASSEMBLY (CAT.) (985111002 PH).....	1	32	98929A	WASHER.....	1
3	984760001	MUFFLER GASKET .....	1	33	PS05267	SPACER.....	1
4	07185	REINFORCEMENT PLATE (P.H. 985111001)..	1	34	PA01613	DRUM & CONNECTOR .....	1
5	88083	* SCREW (TORX HD. SEMS).....	2	35	PA00634	ROTOR PAWL ASSEMBLY .....	1
6	6634602	BOLTS.....	2	36	985309001	STARTER PULLEY .....	1
7	984762001	HEAT DAM GASKET .....	1	37	984868001	PISTON ASSEMBLY (INCL. KEY NO. 54-58) .	1
8	98768A	HEAT DAM .....	1	38	A98773A	SPRING & CONTAINER .....	1
9	81208	LOCK NUT HX 10-24.....	2	39	984743001	HEAT SHEILD (CAT.) (P.H. 985111002) .....	1
10	093221	* SCREW (TORX PAN HD. SEMS).....	2	40	9789902	STARTER ROPE.....	1
11	9074002	CARBURETOR GASKET .....	1	41	PS06114	STARTER GRIP .....	1
12	98766A	CARBURETOR GASKET .....	1	42	984837001	BAFFLE.....	1
13	5945603	SPACER.....	1	43	82543	* SCREW (8-16 X .5 in. THD. FORM. ).....	3
14	98760	FILTER ( ** ITEM NO. AP04107).....	1	44	82537	* SCREW (10-14 X .875 in. THD. FORM. ) .....	2
15	PS02113	BOX AIR FILTER CONEHEAD.....	1	45	984829001	REAR HOUSING.....	1
16	PS02309	COVER AIR BOX.....	1	46	82538	SCREW (ST-155).....	3
17	0143910	TUBING, RUBBER (63.5 MM).....	1	47	PA01641	STARTER HOUSING W/EYELET .....	1
18	985304001	FITTING, INLINE FUEL .....	1	48	984820001	DAMPER SPRING .....	1
19	985624001	CARBURETOR, ZAMA .....	1	49	984819001	CAM PLATE .....	1
20	06443A	GASKET, C/C COVER.....	1	50	984759001	* SCREW (6-20 X .25 in. TRI-LOBULAR).....	3
21	PA00116	FUEL TANK ASSEMBLY .....	1	51	984757001	OUTLET TUBE .....	1
22	985210001	FUEL CAP ASSEMBLY ( **ITEM NO. AP04108) .	1	52	984755001	SCREEN PLATE .....	1
23	98792	BUMPER.....	3	53	984753001	SCREEN.....	1
24	A06964	LEAD W/TERMINALS .....	1	54	984376001	PISTON W/PINS .....	1
25	A06963	LEAD .....	1	55	PS03498	PISTON RING 30CC .....	2
26	82540	* SCREW (8-32 X 1 in. THREAD FORMING).....	2	56	65261	RETAINING RING.....	2
27	850080001	IGNITION MODULE (W/ 3 SEC. KILL) .....	1	57	00238A	PISTON PIN .....	1
28	PS02227	SPARK PLUG ( **ITEM NO. RCJ6Y OR NGK BPMR7A).....	1	58	PA00190	CONNECTING ROD ASSEMBLY .....	1
29	984812001	* SCREW (10-24 X .75 in. PAN HD. TORX).....	4	59	985544001	COMPLETE STARTER ASSEMBLY .....	1

\* STANDARD HARDWARE ITEM – MAY BE PURCHASED LOCALLY

\*\* STOCK ITEM – MAY BE SECURED THROUGH THE HARDWARE DEPARTMENT OF MOST HOME DEPOT STORES

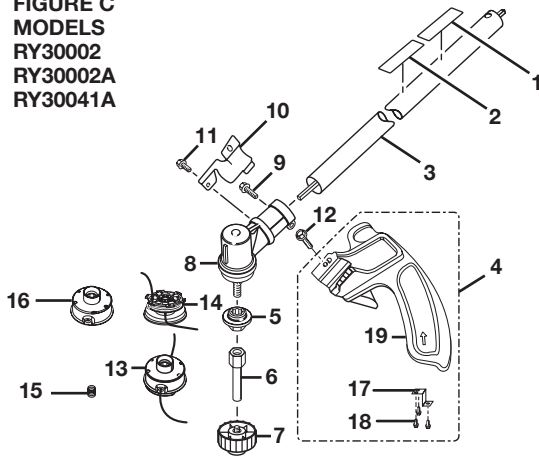
**RYOBI 30CC STRING TRIMMERS AND BRUSHCUTTERS MODEL NUMBERS – RY30000, RY30000A, RY30002, RY30002A, RY30004, RY30004A, RY30021A, RY30041A, AND RY30061A**

**FIGURE B  
MODELS  
RY30000  
RY30000A  
RY30021A**



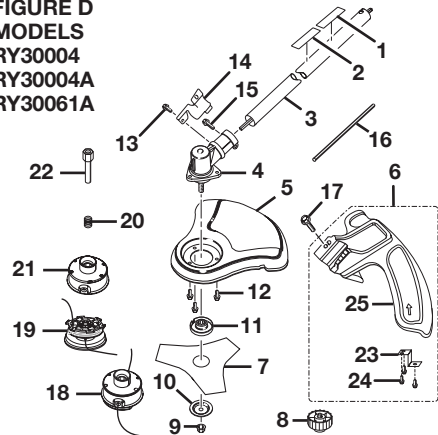
KEY NO.	PART NUMBER	ITEM NO.#	DESCRIPTION	QTY.
1	985165001	N/A	EXPAND-IT LABEL .....	1
2	984032002	N/A	WARNING DECAL.....	1
3	985569003	N/A	CURVED SHAFT ASSEMBLY .....	1
4	PA01014	N/A	GRASS DEFLECTOR .....	1
5	PA00249	N/A	FASTENER PARTS KIT .....	1
6	A98866A	AP04106	SPOOL RETAINER (RHT) (**ITEM NUMBER A98866A) .....	1
7	AH04102	AP04114	COMPLETE STRING HEAD(.080 IN.) .....	1
8	PA0387A	AH04112	SPOOL AND STRING (.080 in.) .....	1
9	A98231A	N/A	HOUSING AND EYELET .....	1
10	06713	N/A	SPRING.....	1

**FIGURE C  
MODELS  
RY30002  
RY30002A  
RY30041A**



KEY NO.	PART NUMBER	ITEM NO.#	DESCRIPTION	QTY.
1	985165001	N/A	EXPAND-IT LABEL .....	1
2	984032002	N/A	WARNING DECAL.....	1
3	985570003	N/A	STRAIGHT SHAFT ASSEMBLY.....	1
4	984443004	N/A	GRASS DEFLECTOR ASSEMBLY .....	1
5	984931001	N/A	WASHER.....	1
6	PS04438	N/A	SHAFT ADAPTER .....	1
7	A97910A	AP04103	SPOOL RETAINER (LHT).....	1
8	984244001	N/A	GEAR HEAD .....	1
9	PS04680	N/A	SCREW (1/4-20 X 1-1/4 in.) .....	1
10	PS04420	N/A	CLAMP .....	1
11	983774003	N/A	SCREW (10-24 X 5/8 in.).....	1
12	983379078	N/A	SCREW (1/4-20 X 1-1/4 in.) .....	1
13	N/A	AP04101	STRINGHEAD .....	1
14	984238001	AR04118	SPOOL AND STRING (.095 IN.) .....	1
15	06713	N/A	SPRING.....	1
16	A98231A	N/A	HOUSING W/EYELET .....	1
17	PS04379	N/A	BLADE.....	1
18	82543	N/A	SCREW, THREAD FORMING .....	3
19	984099001	N/A	GRASS DEFLECTOR .....	1

**FIGURE D  
MODELS  
RY30004  
RY30004A  
RY30061A**



KEY NO.	PART NUMBER	ITEM NO.	DESCRIPTION	QTY.
1	985165001	N/A	EXPAND-IT LABEL .....	1
2	984102002	N/A	BRUSHCUTTER SAFETY LABEL.....	1
3	985572003	N/A	STRAIGHT SHAFT ASSEMBLY .....	1
4	PA01364	N/A	GEAR HEAD .....	1
5	PS03538	N/A	BRUSHCUTTER GUARD.....	1
6	984443004	N/A	GRASS DEFLECTOR ASSEMBLY .....	1
7	06297	AP04105	TRI-ARC BLADE.....	1
8	A97910A	N/A	SPOOL RETAINER (LHT) .....	1
9	04277	N/A	LOCK NUT.....	1
10	04409	N/A	CUPPED WASHER.....	1
11	04168A	N/A	FLANGED WASHER .....	1
12	88049	N/A	SCREW (10-24 X 1/2 in.) .....	3
13	983774003	N/A	SCREW (10-24 X 5/8 in.).....	1
14	PS04420	N/A	CLAMP.....	1
15	PS04680	N/A	SCREW (1/4-20 X 1-1/4 in.).....	1
16	00063	N/A	HOLDING PIN .....	1
17	983379078	N/A	SCREW (1/4-2- X 1-1/4 in.).....	1
18	N/A	AP04101	STRINGHEAD (.095 IN.).....	1
19	984238001	AR04118	SPOOL AND STRING (.095 IN.).....	1
20	06713	N/A	SPRING.....	1
21	A98231A	N/A	HOUSING AND EYELET .....	1
22	PS04438	N/A	ADAPTER SHAFT .....	1
23	PS04379	N/A	BLADE .....	1
24	82543	N/A	SCREW, THREAD FORMING .....	3
25	984099001	N/A	GRASS DEFLECTOR.....	1

**STOCK ITEM – MAY BE SECURED THROUGH THE HARDWARE DEPARTMENT OF MOST HOME DEPOT STORES**