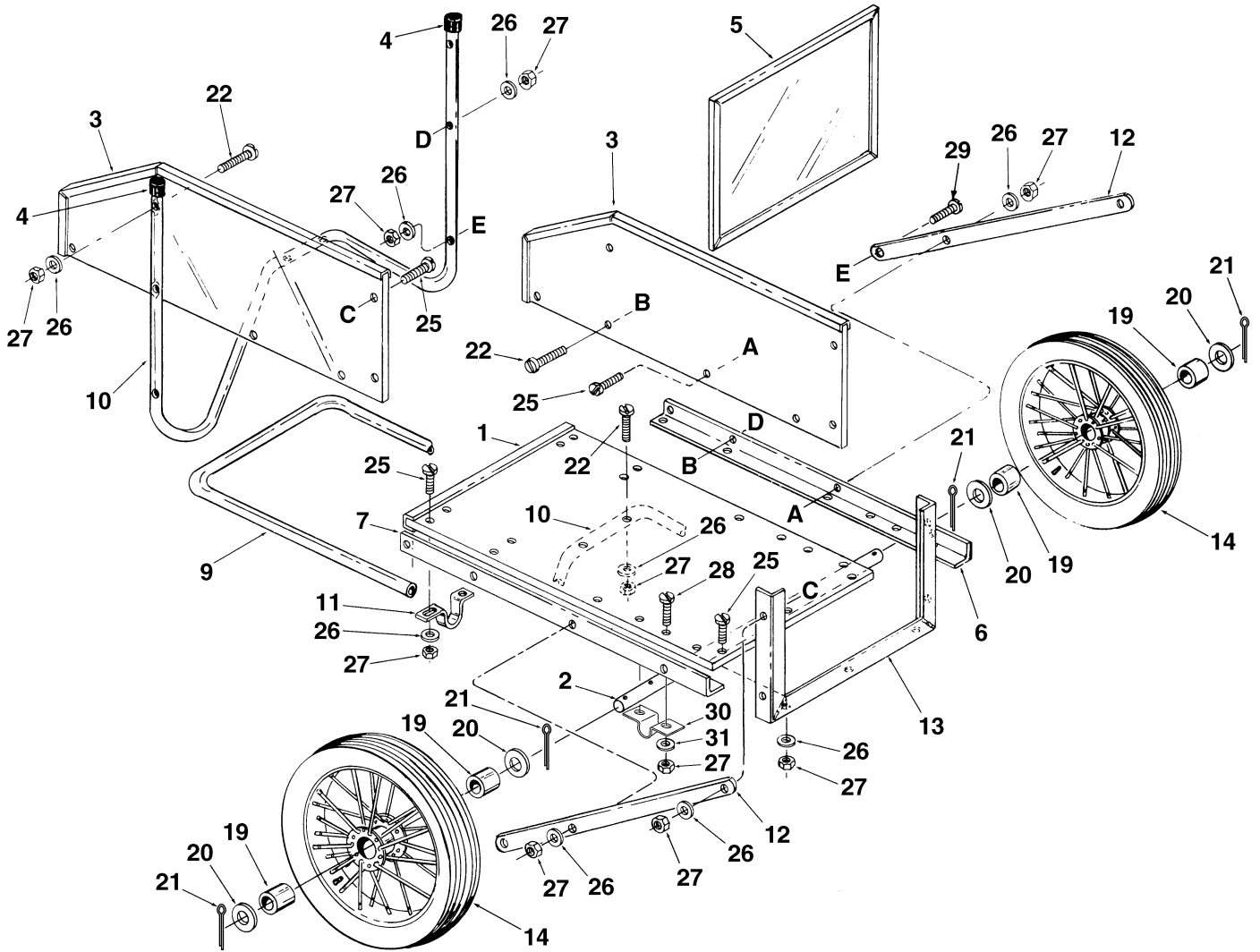


MODEL 45-01772 14 CU. FT. FARM/YARD CART



REF. NO.	PART NO.	QTY.	DESCRIPTION	REF. NO.	PART NO.	QTY.	DESCRIPTION
1	47590	1	Bottom Panel	20	43949	4	Flat Washer, 25/32" x 1-1/2" x 3/32"
2	24889	1	Axle, Wheel	21	43010	4	Cotter Pin, 1/8" x 1-1/4" *
3	47589	2	Side Panel	22	47584	6	Truss Head Screw, 1/4-20 x 2" Lg.*
4	44021	2	Tube Caps	25	44259	25	Truss Head Screw, 1/4-20 x 1" Lg.*
5	47588	1	Front Panel	26	43088	33	Flat Washer, 1/4" *
6	24887	1	Side Angle, L.H.	27	43178	37	Hex Nut, 1/4-20 Thread *
7	24888	1	Side Angle, R.H.	28	44020	4	Truss Head Screw, 1/4-20 x 1-1/4" Lg.*
9	44031	1	Handle Tube	29	44017	2	Truss Head Screw 1/4-20 x 1-1/2" Lg.*
10	44522	1	Leg Tube	30	23917	2	Axle Clamp
11	44033	4	Clamp, Tube	31	43177	4	Lock Washer, 1/4"
12	23882	2	Support Strap	47592		1	Owner's Manual
13	62535	1	Front Angle Assembly				
14	43945	2	Wheel w/Bearings 26"				
19	44016	4	Ball Bearings 3/4" I.D.				

*Purchase Common Hardware Locally.