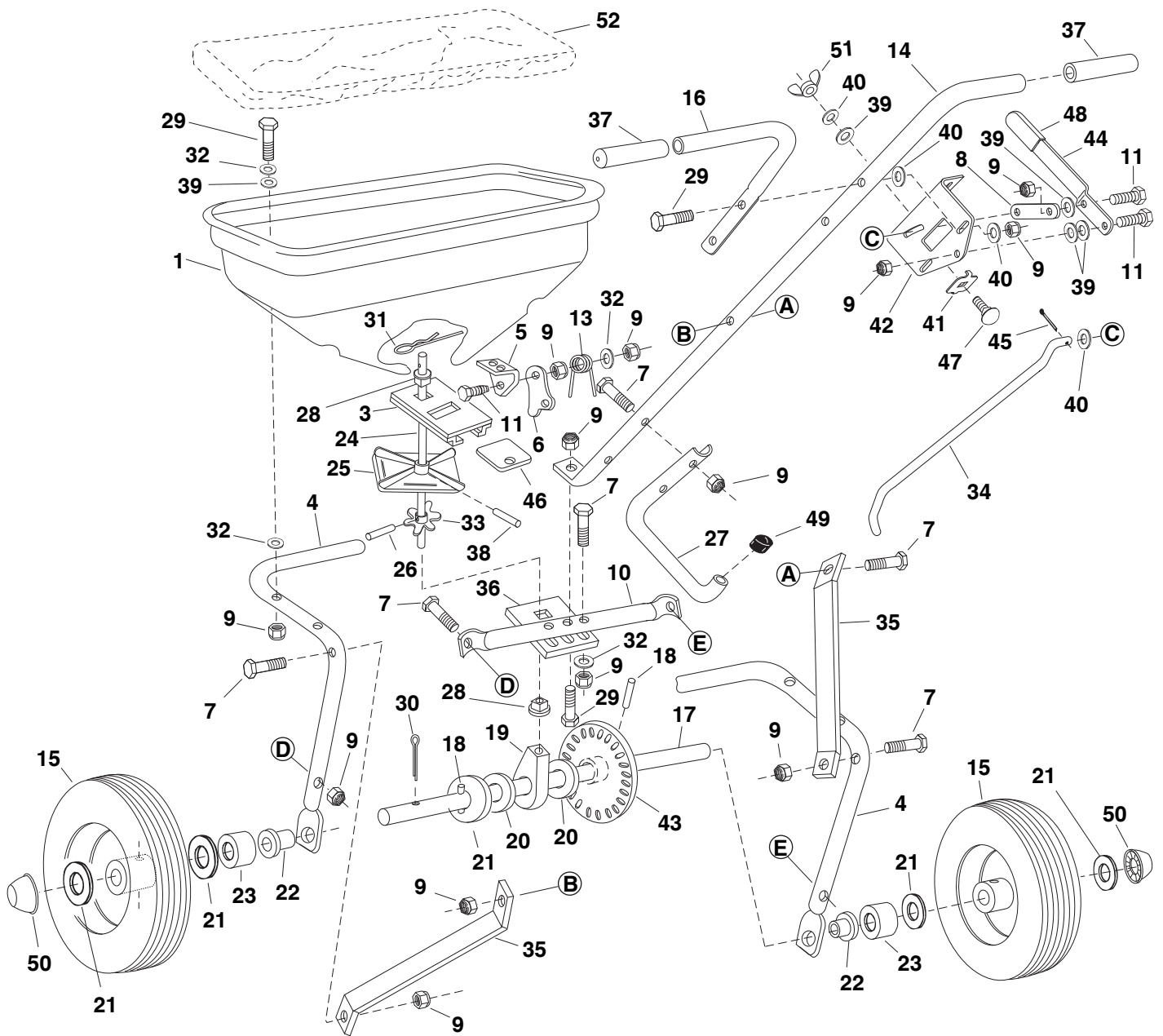


REPAIR PARTS FOR BROADCAST SPREADER MODEL 45-02103



REPAIR PARTS LIST FOR BROADCAST SPREADER MODEL 45-02103

REF. NO.	PART NO.	QTY.	DESCRIPTION	REF. NO.	PART NO.	QTY.	DESCRIPTION
1	44466	1	Hopper	28	44285	2	Bushing, Delrin 3/8" I.D.
2	C-9M5732	2	Pop Rivet (not shown)	29	1509-69	9	Bolt, Hex 1/4-20 x 1-3/4" Lg.*
3	62482	1	Ass'y, Guide Closure	30	47063	1	Pin, Cotter 5/32" x 2"
4	48842	1	Tube, Frame	31	48934	1	Hairpin, Agitator
5	23753	1	Slide Gate Angle Bracket	32	43088	16	Washer, Flat 1/4" Std.
6	23758	1	Slide Gate Bracket	33	44468	1	Sprocket - 6 Tooth
7	43648	9	Bolt, Hex 1/4-20 x 1-1/2" Lg.*	34	44514	1	Rod, Flow Control
8	24857	1	Flow Control Link	35	23525	2	Brace, Hitch
9	47189	22	Nut, Nyock 1/4-20 Thd. *	36	23780	1	Support, Shaft
10	48841	1	Tube, Crossover	37	44482	2	Grip, Handle
11	43661	3	Bolt, Hex 1/4-20 x 1" Lg.*	38	46055	1	Pin, Spring 1/8" Dia. x 1" Lg.
13	44566	1	Spring, Torsion	39	1543-69	10	Washer, Nylon
14	44590	1	Tube, Handle (Long)	40	R19111116	6	Washer, 5/16 SAE
15	40880	2	Wheel	41	24858	1	Stop, Adjustable
16	44589	1	Tube, Handle (Short)	42	24855	1	Bracket, Flow Control Mount
17	25067	1	Shaft, Axle	43	48888	1	Gear
18	44665	2	Pin, Spring 5/32" Dia. x 1-1/4" Lg.	44	24856	1	Flow Control Arm
19	48916	1	Bushing, Axle Shaft	45	44101	1	Cotter Pin 3/32" x 3/4" Lg.*
20	44125	4	Washer, Shim 5/8" I.D.	46	23533	1	Plate, Closure
21	R19212016	5	Washer, Flat 5/8" I.D.	47	44950	1	Bolt, Carriage 1/4-20 x 3/4" Lg.
22	741-0249	2	Bearing, Flange	48	43848	1	Grip, Flow Control Arm
23	48857	2	Tube, Spacer	49	44481	1	Cap, Vinyl
24	25305	1	Shaft, Sprocket	50	48499	2	Hub Cap
25	04367	1	Spreader Plate	51	47141	1	Nylon Wing Nut, 1/4-20
26	43850	1	Pin, Spring 1/8" Dia. x 5/8" Lg.	52	40825	1	Vinyl Hopper Cover (Optional)
27	44587	1	Tube, Leg Stand		49030	1	Owner's Manual

*Purchase common hardware locally.