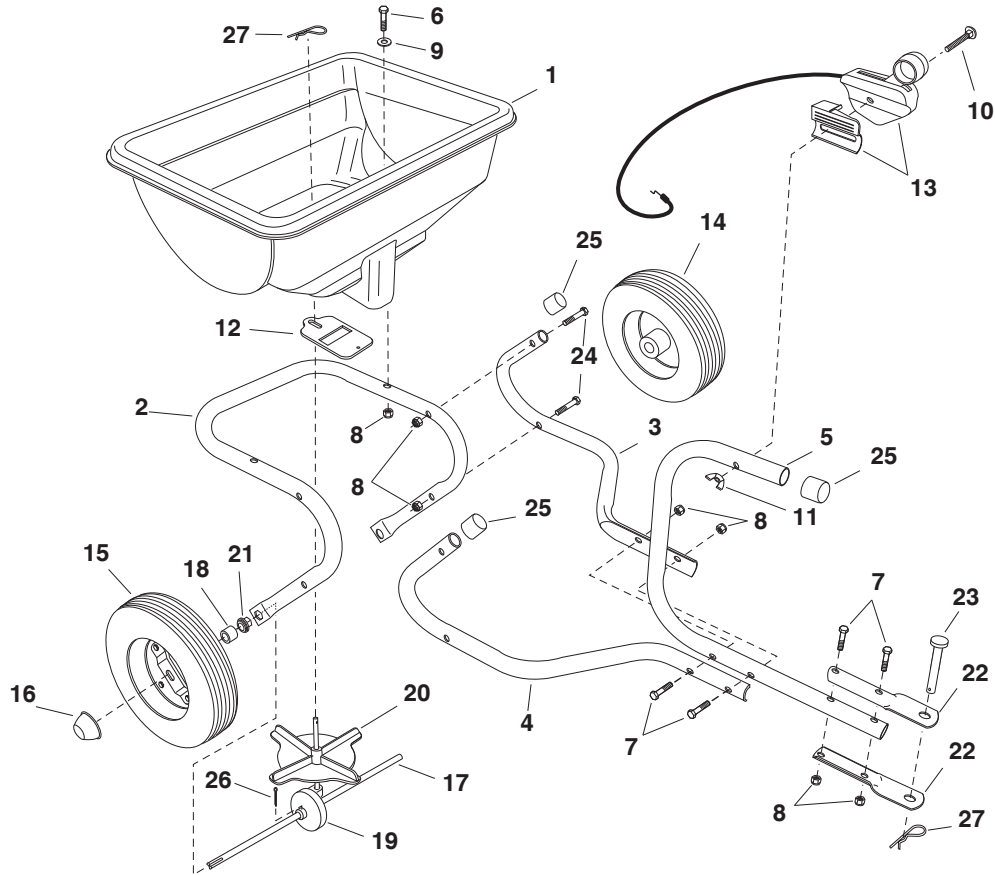


REPAIR PARTS FOR MODEL 45-03153-131, 45-03153-085, 45-03153-997



SpeedPart *the fastest way to purchase parts* www.speedepart.com

REF	PART NO	QTY	DESCRIPTION	REF	PART NO	QTY	DESCRIPTION
1	47994BLK	1	Hopper	15	48865	1	Drive Wheel
2	49085	1	Frame Tube	16	44663	2	Hub Cap (Push Nut)
3	49087	1	Hitch Tube (LH)	17	40903	1	Axle
4	49088	1	Hitch Tube (RH)	18	47851	2	Spacer
5	49091	1	Hitch Control Tube	19	40904	1	Gearbox
6	43648	2	Hex Bolt, 1/4-20 x 1-1/2"	20	47124	1	Impeller
7	1509-69	4	Hex Bolt, 1/4-20 x 1-3/4"	21	47963	2	Hex Flange Bearing
8	47189	10	Nylock Nut, 1/4-20	22	24446	2	Hitch Bracket
9	43088	2	Washer, 1/4 Std	23	47623	1	Hitch Pin
10	45165	1	Carriage Bolt 1/4-20 x 2"	24	46699	4	Hex Bolt, 1/4-20 x 2"
11	47141	1	Nylon Wing Nut 1/4-20	25	44481	3	Vinyl Cap
12	47983	1	Flow Slide	26	43501	1	Cotter Pin, 9/64 x 1-1/2"
13	49820	1	Control Cable Asembly (includes items 10 & 11)	27	43343	2	Hairpin, Cotter
14	46503	1	Wheel		41001	1	Owners Manual

REPAIR PARTS

Agri-Fab, Inc.
809 South Hamilton
Sullivan, IL. 61951
217-728-8388
www.agri-fab.com

This document (or manual) is protected under the U.S. Copyright Laws and the copyright laws of foreign countries, pursuant to the Universal Copyright Convention and the Berne convention. No part of this document may be reproduced or transmitted in any form or by any means, electronic or mechanical, including photocopying or recording, or by any information storage or retrieval system, without the express written permission of Agri-Fab, Inc. Unauthorized uses and/or reproductions of this manual will subject such unauthorized user to civil and criminal penalties as provided by the United States Copyright Laws.