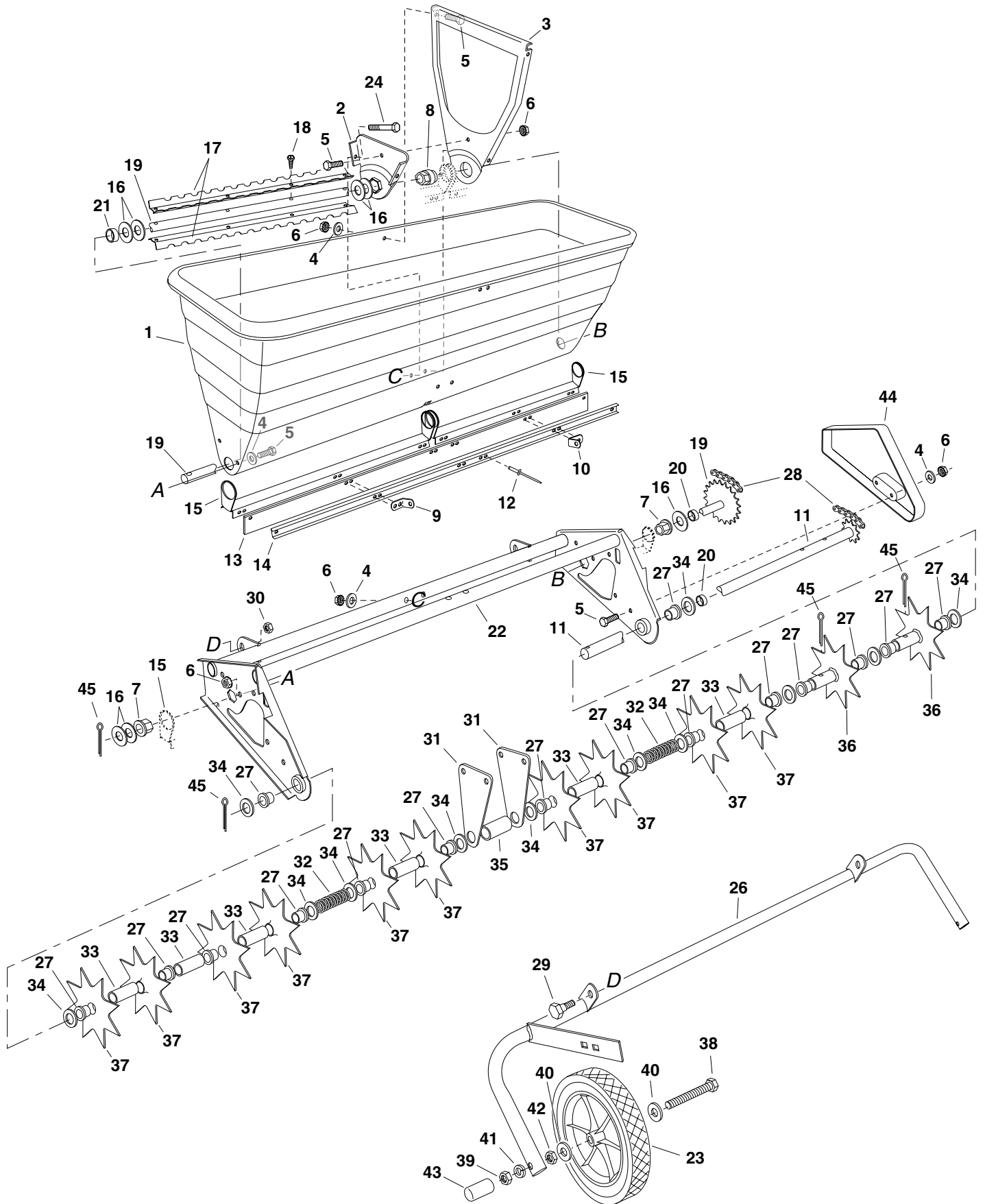


PARTS FOR 175 LB. POLY "PRO" SPIKER/SPREADER MODEL 45-0301



PARTS FOR 175 LB. POLY "PRO" SPIKER/SPREADER MODEL 45-0301

REF. NO.	PART NO.	QTY.	DESCRIPTION	REF. NO.	PART NO.	QTY.	DESCRIPTION
1	47451	1	Hopper	24	1509-69	2	Bolt, Hex 1/4-20 x 1-3/4" Lg.
2	24536	1	Hopper Center Plate (Small)	26	63958	1	Lift Tube Assembly
3	24535	1	Hopper Center Plate (Large)	27	741-0249	18	Bearing, Flanged 0.63" I.D.
4	43088	5	Washer, 1/4"	28	47684	1	Chain
5	43866	4	Bolt, Hex 1/4-20 x 5/8"	29	48106	2	Bolt, Shoulder 3/8-16 x 5/8"
6	46978	6	Nut, Hex (SIMS) 1/4-20 Thd.	30	43082	2	Nut, Hex Lock 3/8-16
7	47615	2	Bearing, Flange	31	24648	2	Brace, Center
8	47484	1	Bearing, Hex Flange	32	47777	2	Spring, Compression
9	24538	1	Bracket, Feed Plate (RH)	33	47683	6	Spacer, .75" x 1.0" x 2.98"
10	24539	1	Bracket, Feed Plate (LH)	34	R19212016	12	Washer, 21/32 x 1-1/4 x 16 ga.
11	63949	1	Axle w/Sprocket, 5/8"	35	47782	1	Spacer, 1.0" I.D. x 3.25"
12	728-3001	10	Pop Rivet	36	63956	2	Drive Disk Assembly
13	47459	1	Skirt, 48"	37	24332	10	Spike Disk (7")
14	47508	1	Retainer, Skirt	38	45100	2	Bolt, Hex 1/2-13 x 4"
15	24537	2	Flow Plate	39	712-0206	2	Nut, Hex 1/2-13
16	43009	12	Washer	40	R19171616	4	Washer, 17/32" x 1" x 16 ga.
17	47259	4	Agitator Blade	41	43353	2	Lock Washer, 1/2"
18	47476	16	Screw, #8-32 x 3/8" Lg.	42	43019	2	Nut, Hex Jam 1/2-13
19	63948	1	Axle w/sprocket. 3/4"	43	44688	2	Cap, Plastic
20	46838	2	Spacer, .76" x 1.0" x 0.50"	44	47679	1	Chain Cover
21	47458	2	Spacer, 1.25" OD x .330" Lg.	45	43093	4	Cotter Pin, 1/8" x 1-1/2"
22	63955	1	Hopper Frame Assembly		47685	1	Owners Manual
23	46254	2	Wheel				