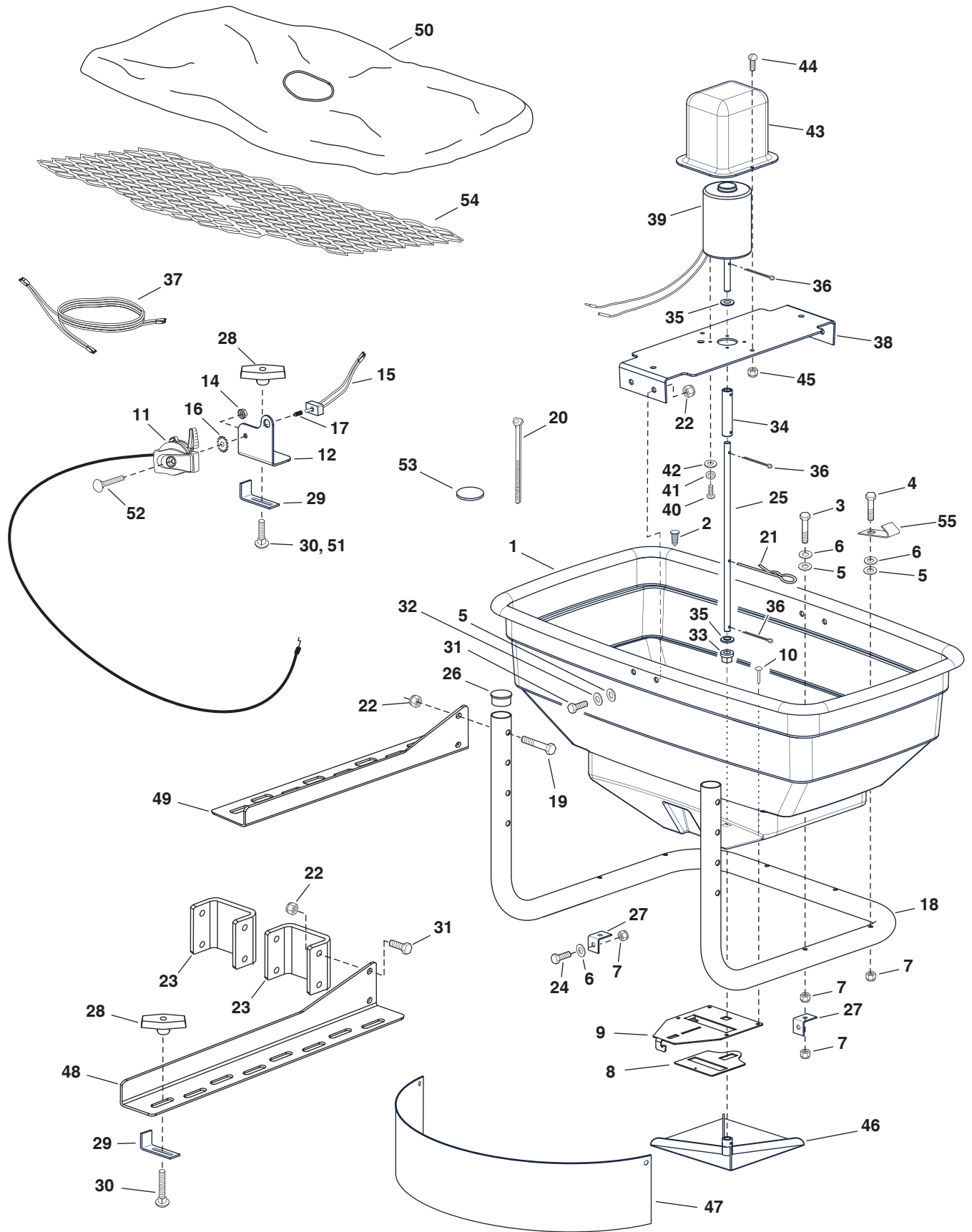


# REPAIR PARTS FOR ATV MOUNTED 125 LB. BROADCAST SPREADER MODEL 45-0324



**REPAIR PARTS FOR ATV MOUNTED  
125 LB. BROADCAST SPREADER MODEL 45-0324**

REF. NO.	PART NO.	QTY.	DESCRIPTION	REF. NO.	PART NO.	QTY.	DESCRIPTION
1	48915	1	Hopper	31	43063	8	Hex Bolt, 5/16-18 x 1"
2	48402	2	Plastic Plug	32	43081	4	Flat Washer, 5/16"
3	45164	2	Hex Bolt, 1/4-20 x 2-1/4"	33	44285	1	Bushing, Hopper
4	46699	4	Hex Bolt, 1/4-20 x 2"	34	24884	1	Coupler, Impeller
5	1543-69	10	Nylon Washer	35	48577	2	Shaft Seal
6	43088	8	Flat Washer, 1/4"	36	43010	3	Cotter Pin, 1/8" x 1-1/4"
7	47189	10	Nylock Nut, 1/4-20	37	46554	1	Wire Harness
8	25118	1	Flow Slide	38	24936	1	Bracket, Motor Mount
9	24853	1	Guide Plate	39	46562	1	Motor
10	43882	4	Rivet, Stainless Steel	40	46334	4	Pan Head Bolt, #8-32 x 1/2"
11	47999	1	Control Cable Assembly	41	736-0722	4	Lock Washer, #10
12	24937	1	Control Mount Bracket	42	43910	4	Flat Washer, #10
14	46978	1	Hex Nut, 1/4-20 (SIMS)	43	48432	1	Cover, Motor
15	48983	1	Switch, On-Off	44	43346	2	Truss Head Bolt, #10-32 x 5/8"
16	44732	1	Star Washer	45	47171	2	Nylock Nut, #10-32
17	45082	1	Boot, Rubber Switch	46	04367	1	Impeller
18	48947	1	Tube, Hopper Mount	47	48559	1	Deflector
19	44180	4	Hex Bolt, 5/16-18 x 2"	48	25214	1	Mounting Bracket, R.H.
20	726-0178	3	Nylon Tie	49	25213	1	Mounting Bracket, L.H.
21	48934	1	Hairpin Agitator	50	49080	1	Vinyl Cover
22	47810	12	Nylock Nut, 5/16-18	51	44326	1	Carriage Bolt, 5/16-18 x 1"
23	25248	2	Extension Bracket	52	45039	1	Carriage Bolt, 1/4-20 x 1-3/4"
24	43012	2	Hex Bolt, 1/4-20 x 3/4"	53	48661	4	Adhesive Pad
25	24946	1	Impeller Shaft	54	49947	1	Screen
26	47674	2	Plug, 1-1/4"	55	25672	2	Clip
27	23826	2	Angle Bracket		48581	1	Owner's Manual
28	43720	5	Plastic Knob				
29	23442	5	Mounting Bracket				
30	44215	5	Carriage Bolt, 5/16-18 x 1-3/4"				

**SpeedPart** *the fastest way to purchase parts* [www.speedepart.com](http://www.speedepart.com)