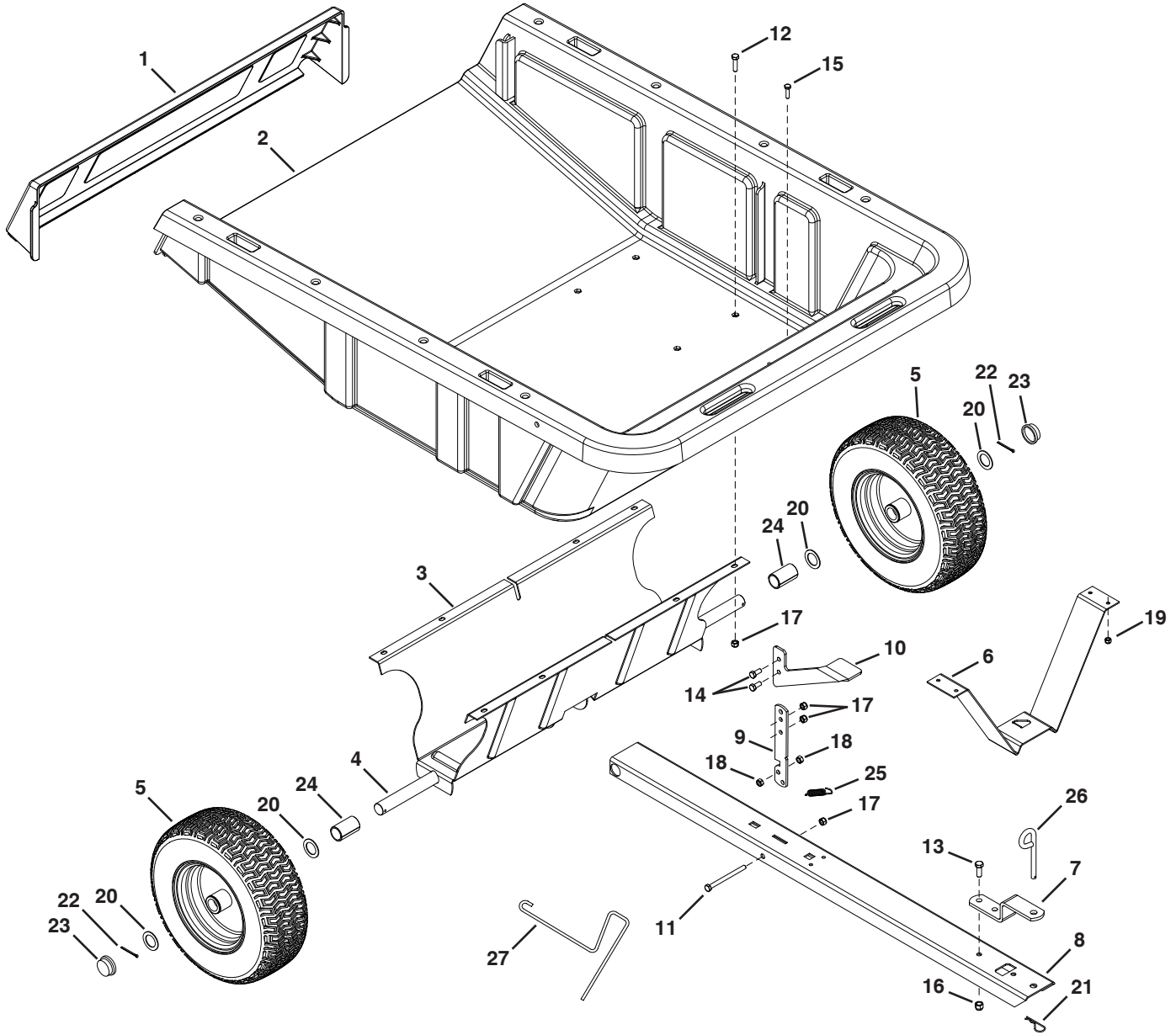


# REPAIR PARTS FOR 45-0464 POLY DUMP CART



| REF | PART NO | QTY | DESCRIPTION                | REF | PART NO | QTY | DESCRIPTION                     |
|-----|---------|-----|----------------------------|-----|---------|-----|---------------------------------|
| 1   | 41009   | 1   | Tailgate                   | 15  | 43661   | 4   | Hex Bolt, 1/4-20 x 1"           |
| 2   | 41008   | 1   | Cart Bed                   | 16  | HA21362 | 1   | Nylock Nut, 3/8"                |
| 3   | 25106   | 1   | Wheel Support              | 17  | 47810   | 11  | Nylock Nut, 5/16"               |
| 4   | 25636   | 1   | Axle                       | 18  | 46980   | 2   | Sims Nut, 5/16"                 |
| 5   | 42159   | 2   | Wheel                      | 19  | 47189   | 4   | Nylock Nut, 1/4"                |
| 6   | 24497   | 1   | Latch Stand Bracket        | 20  | 43601   | 4   | Washer, 1"                      |
| 7   | 23014   | 1   | Hitch Bracket              | 21  | 43343   | 1   | Hair Cotter Pin, 3/32 x 2-5/16" |
| 8   | 26584   | 1   | Tongue                     | 22  | 43093   | 2   | Cotter Pin, 1/8 x 1-1/2"        |
| 9   | 24498   | 1   | Latch Lock Bracket         | 23  | 43014   | 2   | Hub Cap                         |
| 10  | 26533   | 1   | Step Bracket               | 24  | 44678   | 2   | Spacer, 1.03 x .25 x 2.06"      |
| 11  | 47407   | 1   | Hex Bolt, 5/16-18 x 4"     | 25  | 47408   | 1   | Extension Spring                |
| 12  | 43840   | 8   | Hex Bolt, 5/16-18 x 1-1/4" | 26  | 23353   | 1   | Hitch Pin, 3/8 x 3"             |
| 13  | 43001   | 1   | Hex Bolt, 3/8-16 x 1"      | 27  | 47622   | 1   | Spring Puller Tool              |
| 14  | 43182   | 2   | Hex Bolt, 5/16-18 x 3/4"   |     | 41153   | 1   | Owners Manual                   |