

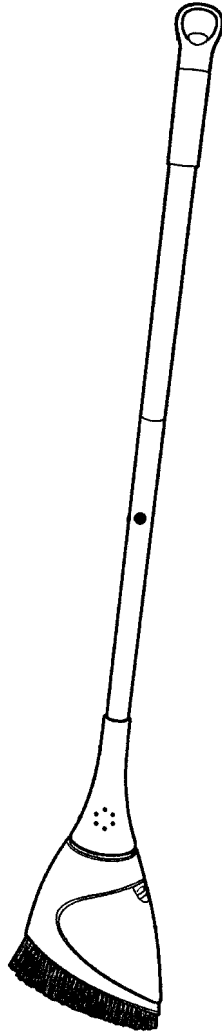
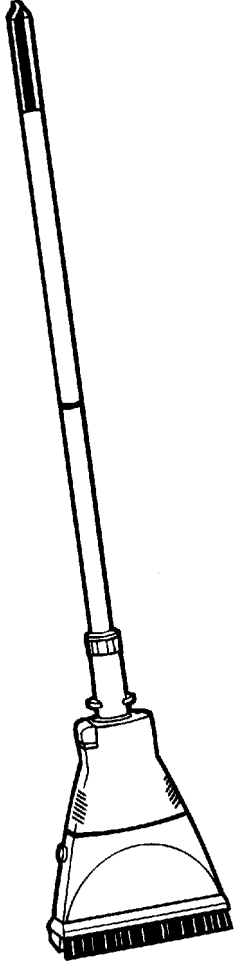


# Broom Vac

*broom vac.*

**BRUM™**  
Cordless Broom Vacuum

28



## SECTION CONTENTS

<u>MODEL No.</u>	<u>PAGE No.</u>
BV2030	28-2 THRU 28-4
BD20005CTR	28-2 THRU 28-4
BD20005MBL	28-2 THRU 28-4
BD20005RED	28-2 THRU 28-4
0414	28-5 THRU 28-6

## MODEL No.

- 0414
- 0414CHL
- 0414CHM
- 0414SLV
- 0414SPC
- BD20005CTR
- BD20005MBL
- BD20005RED
- BV2030
- BV2030BLK
- BV2030BLU
- BV2030BTR
- BV2030CTR
- BV2030GRN
- BV2030ORG
- BV2030PLM
- BV2030PNK
- BV2030RED
- BV2030SEA
- BV2030SLV
- BV2030WHT
- BV2030YLW

- \* PRICING, SPECIFICATION'S, AND PRODUCT AVAILABILITY ARE SUBJECT TO CHANGE WITHOUT NOTICE. PRICING IS FOB FACTORY, GLENWILLOW, OH
- \* ALL INFORMATION CONTAINED WITHIN THIS SERVICE MANUAL IS PROPRIETARY INFORMATION OF TTI FLOOR CARE NORTH AMERICA.
- \* **WARNING:** TO REDUCE THE RISK OF ELECTRICAL SHOCK OR INJURY, ALWAYS DISCONNECT THE APPLIANCE CORD FROM THE ELECTRICAL OUTLET OR REMOVE BATTERY PRIOR TO SERVICING THE UNIT.

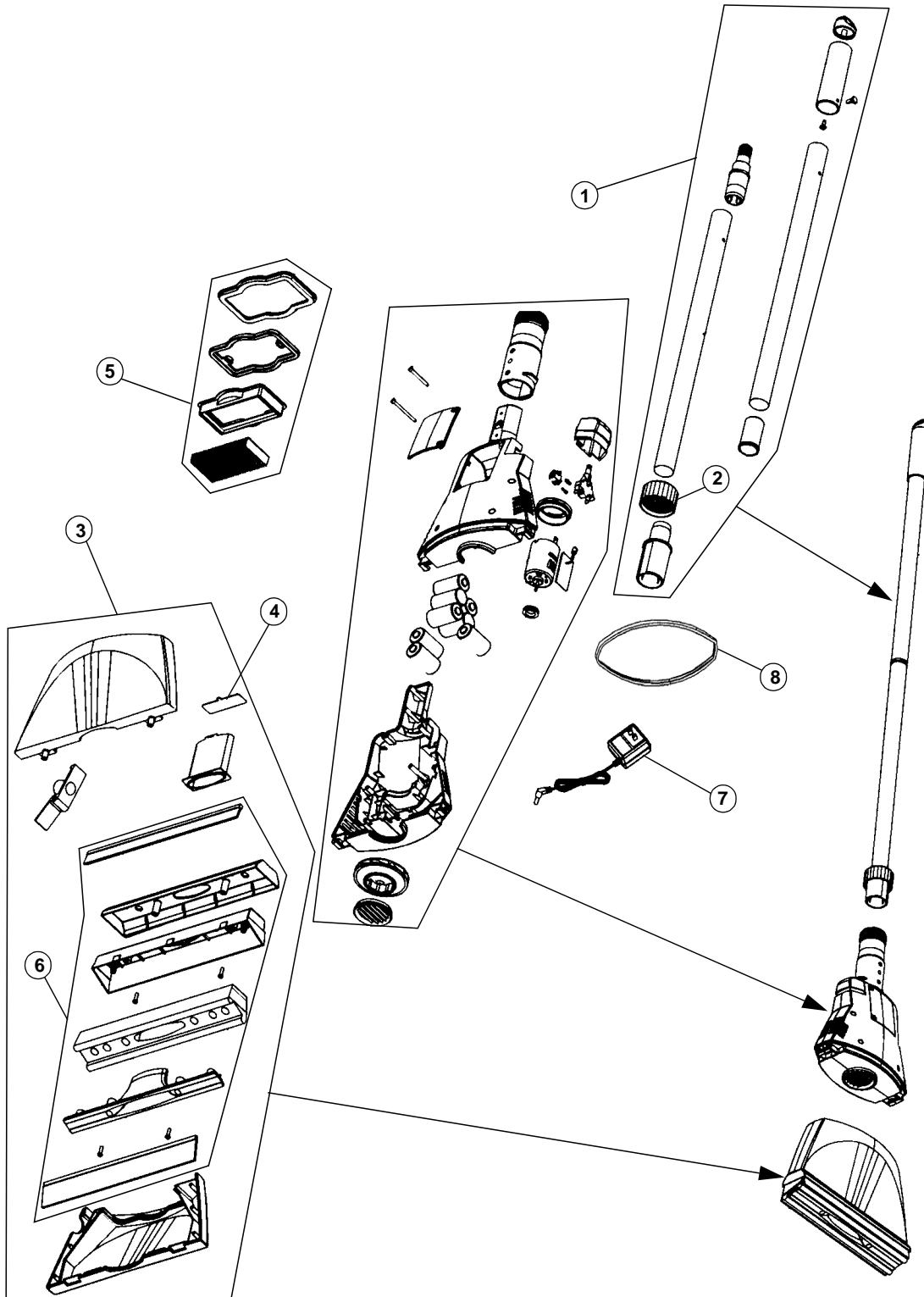


# Broom Vac

*broom vac.*

28

## ASSEMBLY SCHEMATIC



### MODEL No.

BD20005CTR  
BD20005MBL  
BD20005RED  
BV2030

BV2030BLK  
BV2030BLU  
BV2030BTR  
BV2030CTR  
BV2030GRN  
BV2030ORG  
BV2030PLM  
BV2030PNK  
BV2030RED  
BV2030SEA  
BV2030SLV  
BV2030WHT  
BV2030YLW



# Broom Vac

*broom vac.*

28

## PART LISTING / PRICE LIST

Item	Part Number	Models To Fit	Part Description	Net Cost	List Cost
1	2XA1000000	ALL	COMPLETE HANDLE ASSEMBLY - BLACK	14.97	24.95
2	1XA1050000	ALL	HANDLE NUT	1.00	1.67
3	2XA1160000	ALL	DUST CUP NOZZLE ASSEMBLY - SMOKE	22.95	38.25
4	1XA1170000	ALL	DUST FLAPPER	.62	1.03
5	2XA1185000	ALL	F-19 FILTER ASSEMBLY	1.89	3.15
6	2XA1205000	ALL	BRUSH / NOZZLE ASSEMBLY	22.95	38.25
7	1450080000	ALL	AC ADAPTOR - 9.6 VOLT	7.49	12.48
	2XA2990000	BD20005CTR, BD20005MBL, BD20005RED	AC ADAPTOR - 7.2 VOLT	6.97	11.62
8		ALL	RUBBER GASKET	N.A.	N.A.

### MODEL No.

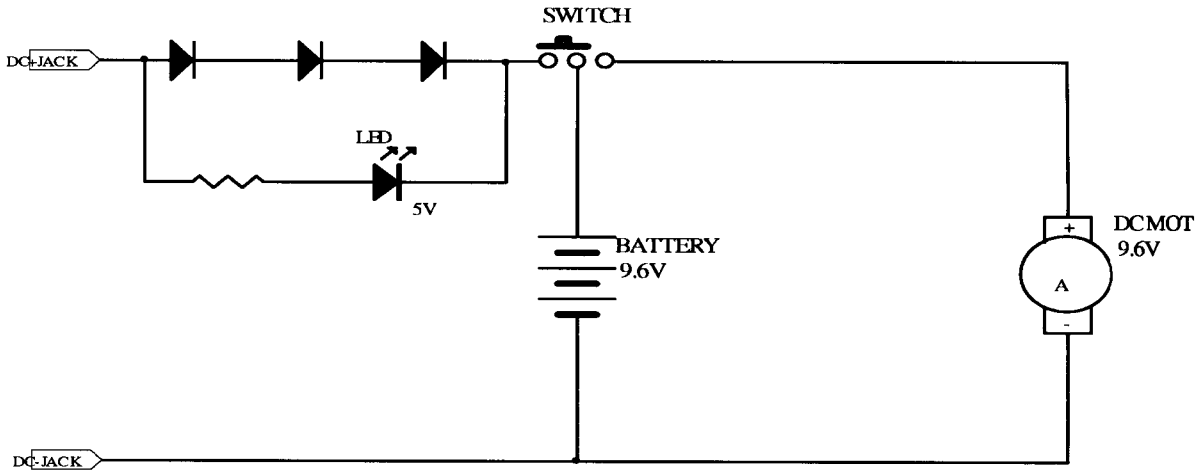
BD20005CTR  
 BD20005MBL  
 BD20005RED  
 BV2030  
 BV2030BLK  
 BV2030BLU  
 BV2030BTR  
 BV2030CTR  
 BV2030GRN  
 BV2030ORG  
 BV2030PLM  
 BV2030PNK  
 BV2030RED  
 BV2030SEA  
 BV2030SLV  
 BV2030WHT  
 BV2030YLV



# Broom Vac

28

## WIRING SCHEMATIC



### MODEL No.

#### **BV2030**

- BV2030BLK
- BV2030BLU
- BV2030BTR
- BV2030CTR
- BV2030GRN
- BV2030ORG
- BV2030PLM
- BV2030PNK
- BV2030RED
- BV2030SEA
- BV2030SLV
- BV2030WHT
- BV2030YLW



# BRUM™

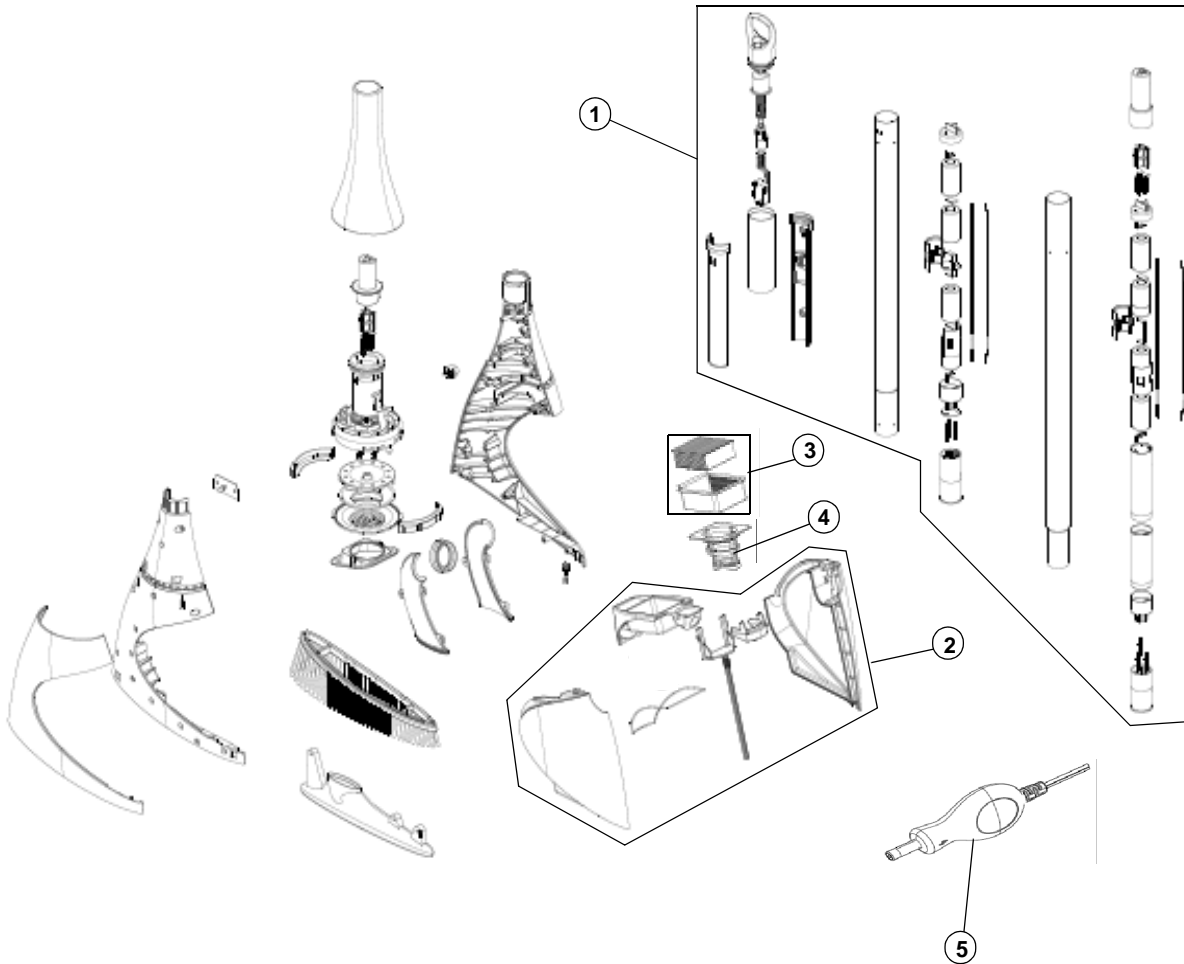
Cordless Broom Vacuum

28

## ASSEMBLY SCHEMATIC

### MODEL No.

0414  
0414CHL  
0414CHM  
0414SLV  
0414SPC





**BRUM™**  
Cordless Broom Vacuum

**28**

PART LISTING / PRICE LIST

MODEL No.

Item	Part Number	Models To Fit	Part Description	Net Cost	List Cost
1	2XB0406000	0414	COMPLETE HANDLE ASSEMBLY - SILVER	47.82	79.70
	2XB0415000	0414	COMPLETE HANDLE ASSEMBLY - CHOCO	47.82	79.70
	2XB0417000	0414	COMPLETE HANDLE ASSEMBLY - CHAMPAGNE	47.82	79.70
	2XB0419000	0414	COMPLETE HANDLE ASSEMBLY - SPICE	47.82	79.70
2	2XB0300000	0414	DIRT CUP ASSEMBLY - SILVER	8.60	14.33
	2XB0414000	0414	DIRT CUP ASSEMBLY - CHOCOLATTE	8.60	14.33
	2XB0416000	0414	DIRT CUP ASSEMBLY - CHAMPAGNE	8.60	14.33
	2XB0418000	0414	DIRT CUP ASSEMBLY - SPICE	8.60	14.33
3	3XB0340000	0414 - ALL	F-30 FILTER ASSEMBLY	2.50 <small>NON DISC</small>	4.17
4	2XB0335000	0414 - ALL	PRE-FILTER SCREEN ASSEMBLY	1.26	2.10
5	2XB0990000	0414- ALL	AC ADAPTOR	7.01	11.68

**0414**  
0414CHL  
0414CHM  
0414SLV  
0414SPC

This document was created with Win2PDF available at <http://www.daneprairie.com>.  
The unregistered version of Win2PDF is for evaluation or non-commercial use only.