



Constellation™

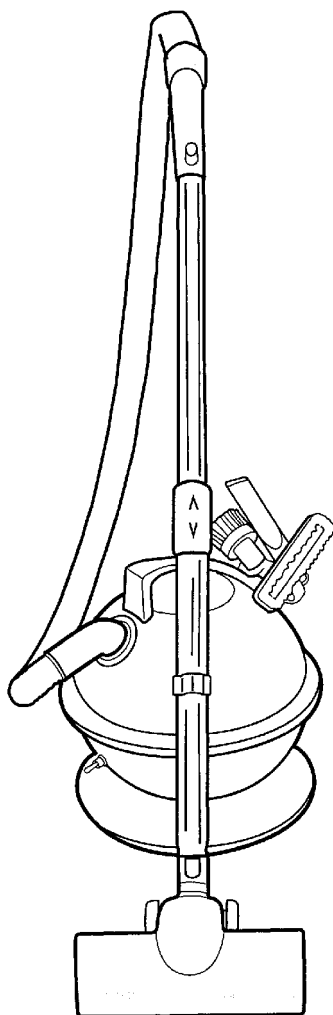
17

SECTION CONTENTS

<u>MODEL No.</u>	<u>PAGE No.</u>
S3341	17-2 THRU 17-5
S3345	17-2 THRU 17-5

MODEL No.

S3341
S3345



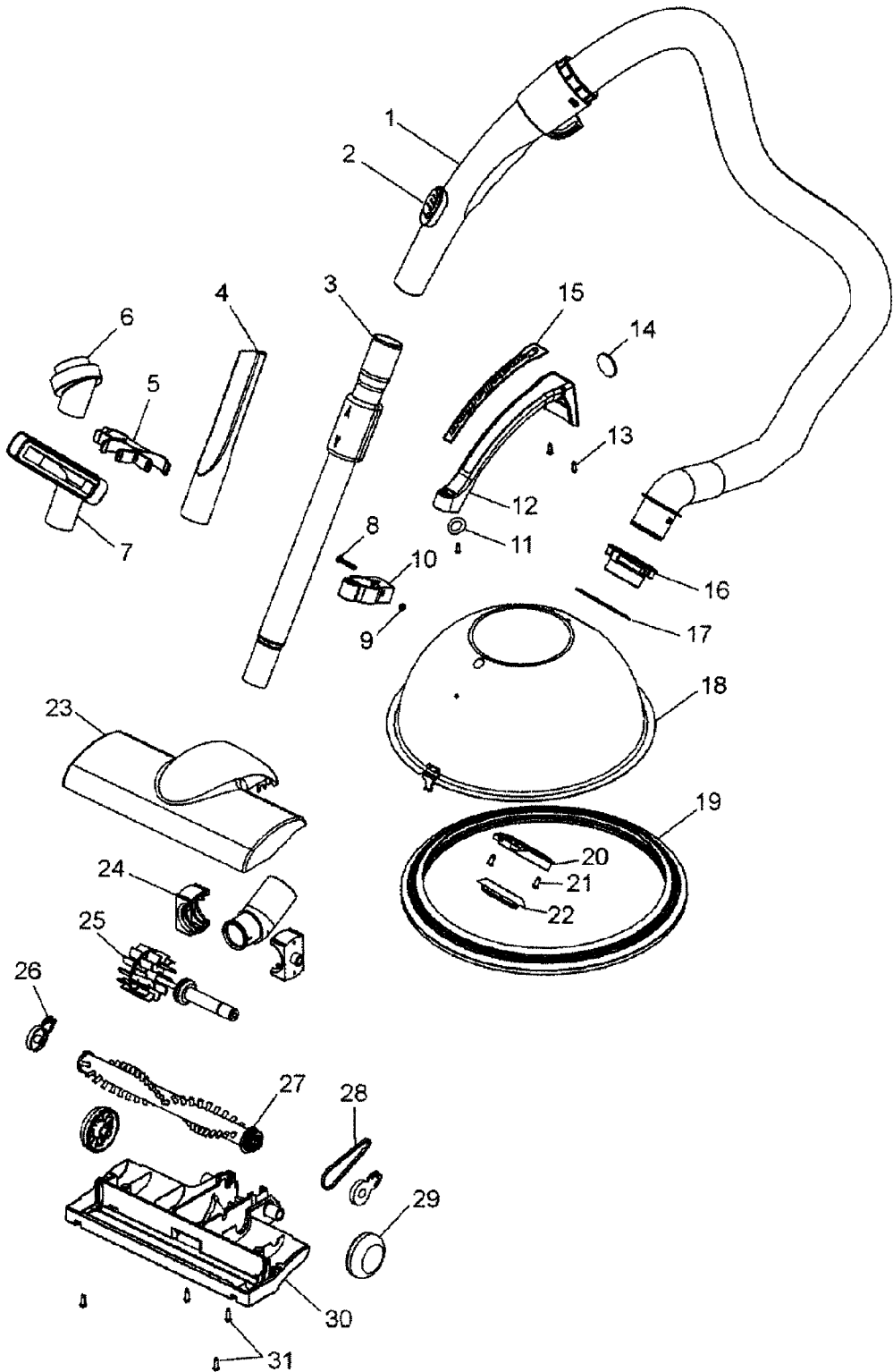
- * PRICING, SPECIFICATION'S, AND PRODUCT AVAILABILITY ARE SUBJECT TO CHANGE WITHOUT NOTICE. PRICING IS FOB FACTORY, CANTON, OH
- * ALL INFORMATION CONTAINED WITHIN THIS SERVICE MANUAL IS PROPRIETARY INFORMATION OF TTI FLOOR CARE NORTH AMERICA.
- * **WARNING:** TO REDUCE THE RISK OF ELECTRICAL SHOCK OR INJURY, ALWAYS DISCONNECT THE APPLIANCE CORD FROM THE ELECTRICAL OUTLET OR REMOVE BATTERY PRIOR TO SERVICING THE UNIT.



Constellation™

17

ASSEMBLY SCHEMATIC



MODEL No.

S3341
S3345



17

PART LISTING / PRICE LIST

MODEL No.

S3341
S3345

ITEM	PART NUMBER	MODELS TO FIT	PART DESCRIPTION	LIST COST
1	93002267	S3341, S3345	HOSE WITH SUCTION REGULATOR ASSEMBLY	22.67
2	93002268	S3341, S3345	SUCTION REGULATOR BUTTON	1.46
3	93002269	S3341, S3345	TELESCOPIC WAND ASSEMBLY COMPLETE	25.50
4	93001956	S3341, S3345	CREVICE TOOL - 7"	3.37
5	93001955	S3341, S3345	TOOL STORAGE HOLDER	1.12
6	93001958	S3341, S3345	DUSTING BRUSH	3.73
7	93001959	S3341, S3345	UPHOLSTERY BRUSH	4.29
	59132033	S3341, S3345	12" HARD FLOOR BRUSH	22.67
8	93001953	S3341, S3345	WAND HOLDER SCREW	N.A.
9	93001952	S3341, S3345	TELESCOPING WAND HOLDER	N.A.
10	93001954	S3341, S3345	WAND HOLDER NUT	.45
11	93001923	S3341, S3345	HANDLE SCREW WASHER	.45
12	93002254	S3341, S3345	HANDLE ASSEMBLY COMPLETE	11.33
13	93001922	S3341, S3345	HANDLE SCREW	.51
14	93002255	S3341, S3345	MEDALLION	2.82
15	93002256	S3341, S3345	LABEL - CONSTELLATION	6.79
16	93002257	S3341, S3345	HOSE CONNECTOR	28.34
17	93001919	S3341, S3345	SEAL RING	1.12
18	93002253	S3341, S3345	UPPER DOME ASSEMBLY COMPLETE	45.35
19	93002258	S3341, S3345	FURNITURE GUARD	11.33
20	93001918	S3341, S3345	HOSE CONNECTOR SPACER	1.12
21	93001924	S3341, S3345	HOSE CONNECTOR SCREW	N.A.
22	93001920	S3341, S3345	BAG COLLAR SEAL	1.12
23	93002270	S3341, S3345	TURBINE FLOOR NOZZLE ASSEMBLY	102.05
	93002271	S3341, S3345	UPPER HOUSING COVER	N.A.
24	93002278	S3341, S3345	NECK CONNECTOR WITH COUPLINGS	22.67
25	93002276	S3341, S3345	TURBINE ASSEMBLY WITH SHAFT	34.01
26	93002275	S3341, S3345	AGITATOR / BRUSH ROLL BEARINGS	3.96
27	93002274	S3341, S3345	AGITATOR / BRUSH ROLL ASSEMBLY	45.35
28	93002273	S3341, S3345	BELT	6.29
29	93002277	S3341, S3345	WHEEL TURBINE WITH SHAFT ASSEMBLY	6.23
30	93002272	S3341, S3345	LOWER HOUSING / BASE ASSEMBLY	N.A.
31	93002279	S3341, S3345	TURBINE FLOOR NOZZLE SCREW	2.03



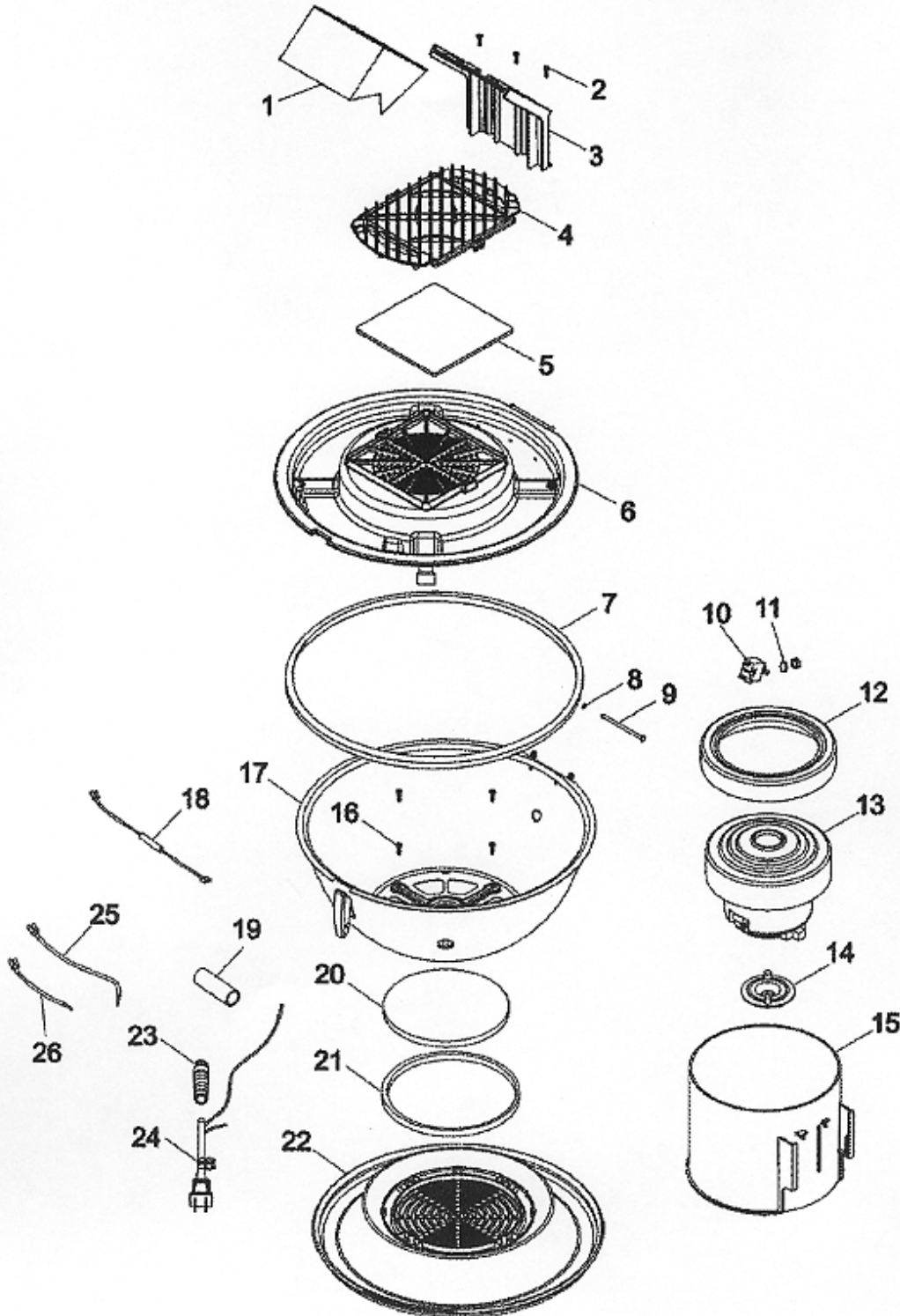
Constellation™

17

ASSEMBLY SCHEMATIC

MODEL No.

S3341
S3345





17

PART LISTING / PRICE LIST

ITEM	PART NUMBER	MODELS TO FIT	PART DESCRIPTION	LIST COST
1	4010808S	S3341, S3345	TYPE S BAG - HEPA 2 PACK	3.30 NON DISC
2	93001937	S3341, S3345	FILTER BAG HOLDER SCREW	.45
3	93001934	S3341, S3345	FILTER BAG HOLDER	2.03
4	93001935	S3341, S3345	FILTER RETAINER	2.59
5	93001936	S3341, S3345	SECONDARY / INLET FILTER	2.93
	40110011	S3341, S3345	SECONDARY / INLET FILTER SCENTED - 2 PACK	2.20 NON DISC
6	93002261	S3341	BULKHEAD	3.96
	93001932	S3345	BULKHEAD	N.A.
		S3341, S3345	SCREW - BULKHEAD	N.A.
7	93001933	S3341, S3345	SEAL RING A	N.A.
8	93001927	S3341, S3345	C-CLIP / HINGE PIN	N.A.
9	93001926	S3341, S3345	HINGE CLIP	N.A.
10	93001944	S3341, S3345	TOGGLE SWITCH	6.79
11	93002027	S3341, S3345	TOGGLE SWITCH WASHER	N.A.
12	93001940	S3341, S3345	MOTOR SEAL	N.A.
13	93002262	S3341, S3345	MOTOR	85.04
14	93001941	S3341, S3345	MOTOR MOUNT BUSHING	N.A.
15	93001942	S3341	MOTOR SHROUD	N.A.
	93002291	S3345	MOTOR SHROUD	N.A.
16	93001931	S3341, S3345	SCREW - BASE	N.A.
17	93002259	S3341	LOWER DOME ASSEMBLY COMPLETE	51.02
	93001925	S3345	LOWER DOME ASSEMBLY COMPLETE	N.A.
18	93002264	S3341, S3345	FUSE ASSEMBLY WITH LEAD WIRES	22.67
19	93001947	S3341, S3345	PVC TUBE - STRAIN RELIEF	1.12
20	93001930	S3341, S3345	FINAL / EXHAUST FILTER	3.14
21	93001929	S3341, S3345	SEAL RING B	N.A.
22	93002260	S3341	BASE ASSEMBLY COMPLETE	N.A.
	93001928	S3345	BASE ASSEMBLY COMPLETE	N.A.
23	93001946	S3341, S3345	POWER CORD STRAIN RELIEF	2.59
24	93002263	S3341	POWER CORD	17.00
	93002283	S3345	POWER CORD	N.L.A.
25	93002266	S3341, S3345	MOTOR WIRE WITH TERMINAL	N.A.
26	93002265	S3341, S3345	SWITCH WIRE WITH TERMINAL	N.A.

MODEL No.

S3341
S3345



Constellation™

17

NOTES

MODEL No.

S3341

S3345

This document was created with Win2PDF available at <http://www.daneprairie.com>.
The unregistered version of Win2PDF is for evaluation or non-commercial use only.