



# HAND VAC™ Classic

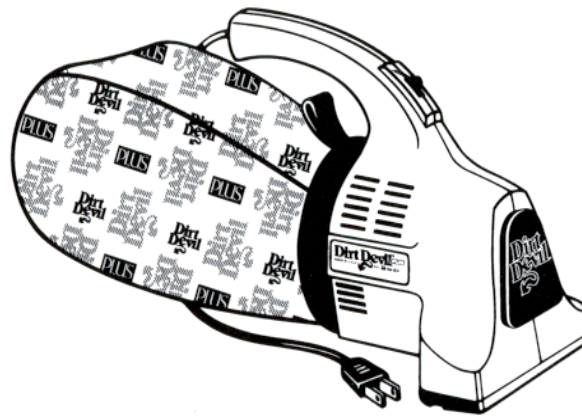
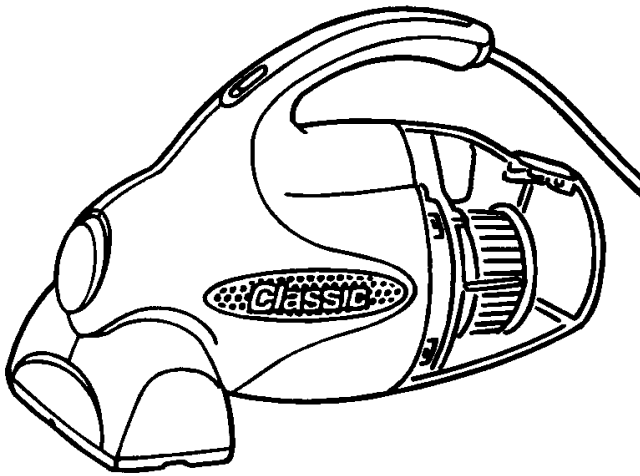
1

## SECTION CONTENTS

<u>MODEL NO.</u>	<u>PAGE NO.</u>
0100	1-2 THRU 1-3
0105	1-2 THRU 1-3
08100	1-4 THRU 1-5
08100RED	1-4 THRU 1-5
08100REDC	1-4 THRU 1-5
08150	1-4 THRU 1-5
WIRING DIAGRAM	1-6
ACCESSORIES	1-7

## MODEL No.

0100  
0105  
08100  
08100RED  
08100REDC  
08150K



\* PRICING, SPECIFICATION'S, AND PRODUCT AVAILABILITY ARE SUBJECT TO CHANGE WITHOUT NOTICE. PRICING IS FOB FACTORY, GLENWILLOW, OH

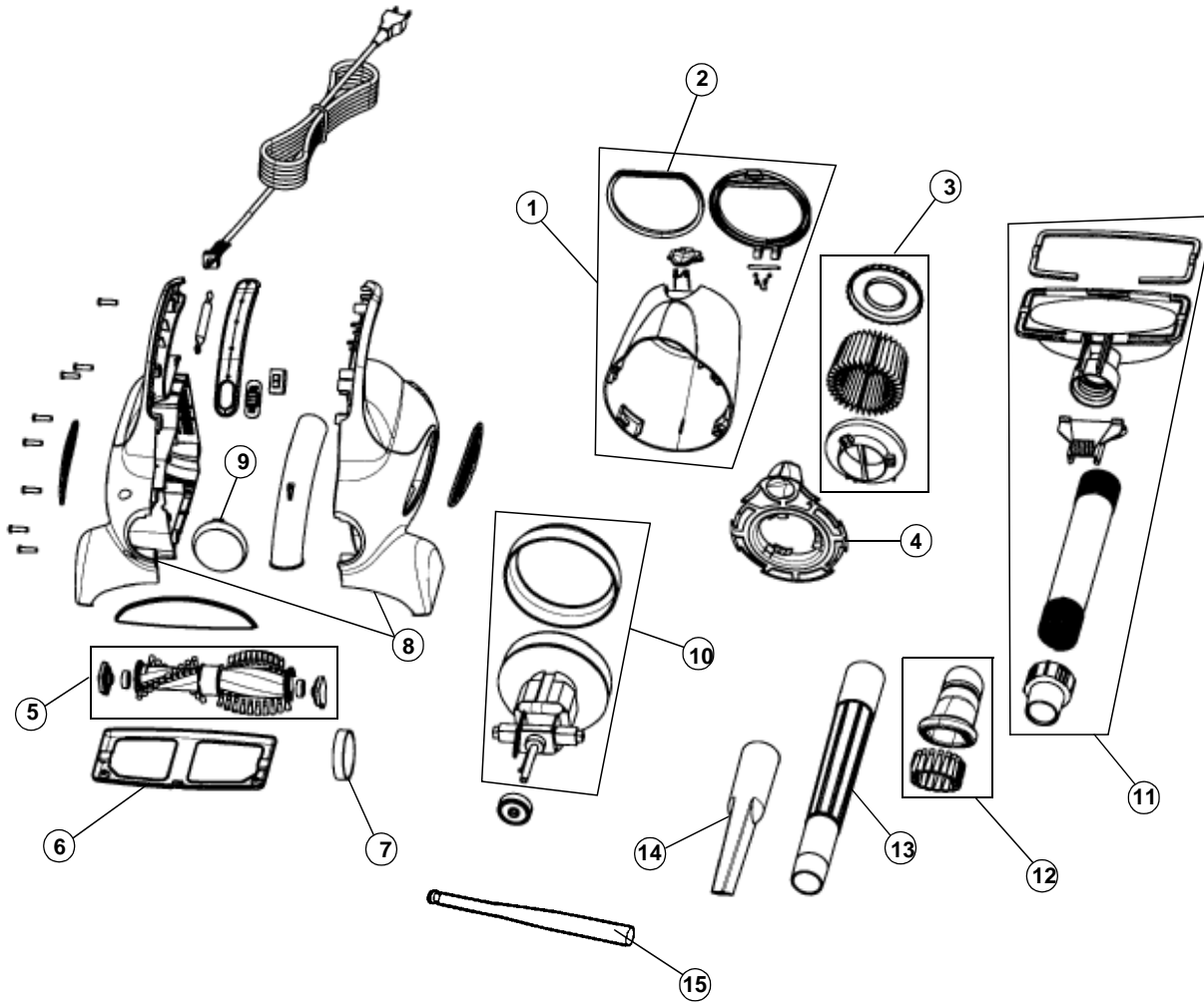
\* ALL INFORMATION CONTAINED WITHIN THIS SERVICE MANUAL IS PROPRIETARY INFORMATION OF TTI FLOOR CARE NORTH AMERICA.

\* **WARNING:** TO REDUCE THE RISK OF ELECTRICAL SHOCK OR INJURY, ALWAYS DISCONNECT THE APPLIANCE CORD FROM THE ELECTRICAL OUTLET OR REMOVE BATTERY PRIOR TO SERVICING THE UNIT.

## ASSEMBLY SCHEMATIC

MODEL No.

0100  
0105





# Classic

1

## PART LISTING / PRICE LIST

Item	Part Number	Model's To Fit	Part Description	Net Cost	List Cost
1	2DJ0300000	0100, 0105	DIRT CUP ASSEMBLY - SMOKE	3.89	6.48
2	1DJ0310600	0100, 0105	GASKET - DIRT CUP DOOR	.62	1.03
3	3DJ0360000	0100, 0105	F-9 / HEPA FILTER ASSEMBLY	2.50 NON DISC	4.17
4	2DJ0380000	0100, 0105	FILTER ADAPTOR	1.71	2.85
5	2DJ0130000	0100, 0105	BRUSH ROLL ASSEMBLY	6.20	10.33
6	1DJ0180000	0100, 0105	NOZZLE GUARD	2.21	3.68
7	1116214000	0100, 0105	STYLE 17 BELT	1.00	1.67
8	2DJ0100000	0100	HOUSING ASSEMBLY - LEFT / RIGHT - RED	11.48	19.13
		0105	HOUSING ASSEMBLY - LEFT / RIGHT - BLUE	N.A.	N.A.
9	1DJ0150600	0100, 0105	NOZZLE CAP	.62	1.03
10	2DJ0110000	0100, 0105	MOTOR ASSEMBLY	29.38	48.97
11	2DJ0400600	0100, 0105	HOSE ASSEMBLY	3.70	6.17
12	2DJ0415600	0100, 0105	UPHOLSTRY TOOL BRUSH ASSEMBLY	1.14	1.90
13	1DJ0600600	0100, 0105	EXTENSION WAND	1.25	2.08
14	1DJ0425600	0100, 0105	CREVICE TOOL	1.00	1.67
15	1880262000	0100, 0105	BELT LIFTER	1.00	1.67

### MODEL No.

0100  
0105



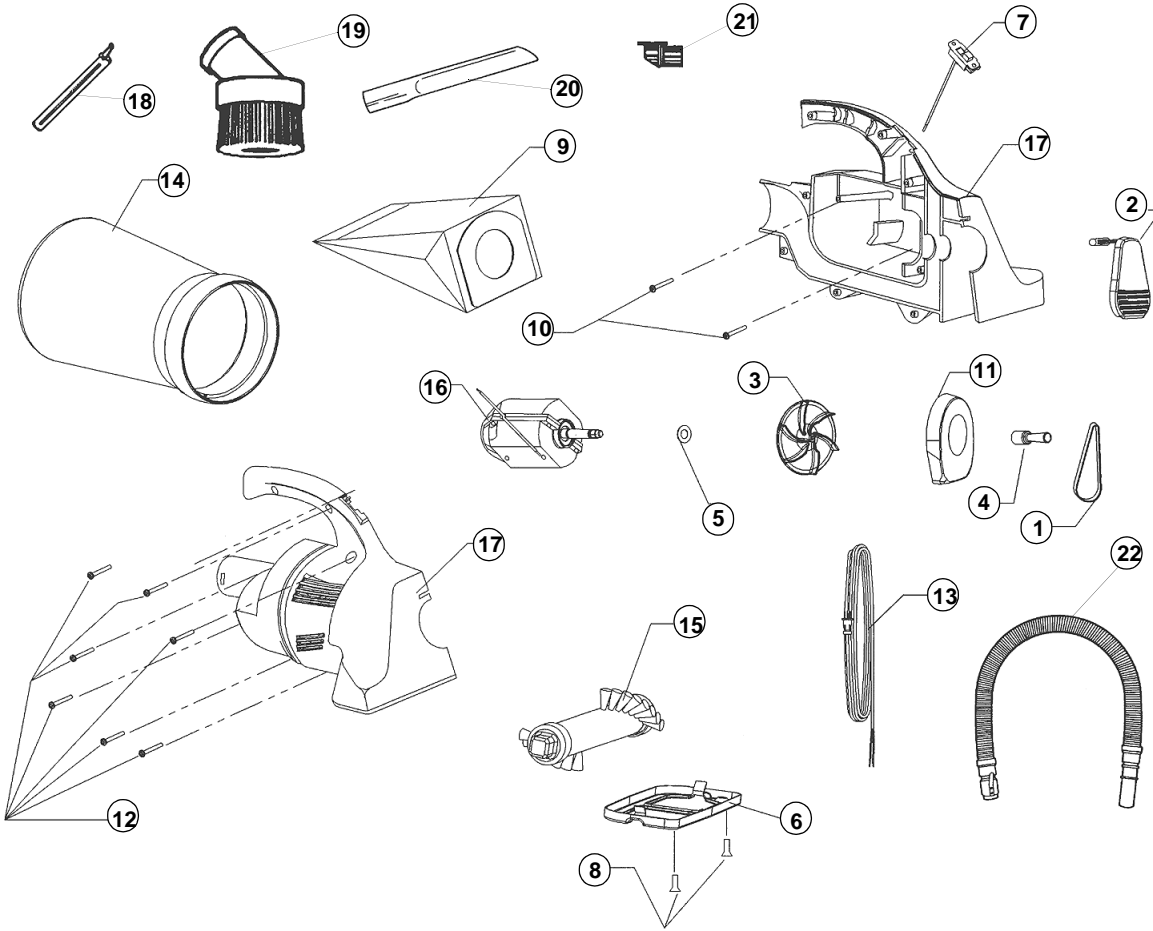
# HAND VAC™

1

## ASSEMBLY SCHEMATIC

### MODEL No.

08100  
08100RED  
08100REDC  
08150K





# HAND VAC™

1

## PART LISTING / PRICE LIST

### MODEL No.

08100  
08100RED  
08100REDC  
08150K

Item	Part Number	Model's To Fit	Part Description	Net Cost	List Cost
1	3157260001	ALL	STYLE 1 BELT - 2 PACK	.78 NON DISC	1.30
2	1501744600	08100, 08100RED, 08150K	NOZZLE NAME PLATE - BLACK	1.24	2.07
	1502745600	08100RED SERIES D, 08100REDC	NOZZLE NAME PLATE - BLACK	N.A.	N.A.
3	1503004000	08100, 08100RED, 08150K	FAN	1.22	2.03
	1503005000	08100RED SERIES D, 08100REDC	FAN	2.12	3.53
4	1503261000	08100, 08100RED, 08150K	SHAFT	N.L.A.	N.L.A.
	1503262000	08100RED SERIES D, 08100REDC	SHAFT	N.L.A.	N.L.A.
5	1503266000	ALL	SEAL, FELT	N.L.A.	N.L.A.
6	1503270000	ALL	NOZZLE GUARD	N.L.A.	N.L.A.
7	1503303000	08100, 08100RED, 08100RED-SERIES D, 08100REDC 08150K	SWITCH	N.L.A.	N.L.A.
8	1503319000	ALL	SCREW, #8-11 X 5/8"LG	.10	.17
9	3010347001	ALL	TYPE G BAG - 3 PACK	1.45 NON DISC	2.42
10	1503618000	ALL	SCREW, #6-20 X 1.0" LG	N.L.A.	N.L.A.
11	1503791000	ALL	STONE SHIELD	N.L.A.	N.L.A.
12	1503819000	ALL	SCREW, #8-10 X 5/8" LG	.10	.17
13	2997125600	ALL	POWER CORD - 25'	9.00	15.00
14	2813340301	ALL	DD PLUS CLOTH BAG ASSY - RED W/ BLK	5.47	9.12
	3050340301	ALL	CLOTH BAG ASSY - RED W/ BLK <b>ORDER 2813340301</b>	N.L.A.	N.L.A.
15	2050221000	ALL	BRUSH ASSEMBLY	4.47	7.45
16	2085701000	08100, 08100RED, 08150K	MOTOR	N.L.A.	N.L.A.
	2085702000	08100RED SERIES D, 08100REDC	MOTOR	N.L.A.	N.L.A.
17	2550130300	08100, 08100RED, 08150K	HOUSING ASSEMBLY	N.L.A.	N.L.A.
	2550131300	08100RED SERIES D, 08100REDC	HOUSING ASSEMBLY	N.A.	N.A.
18	1880262000	ALL	BELT LIFTER	1.00	1.67
19	3050282600	ALL	ROUND BRUSH	1.42	2.37
20	1502801600	ALL	CREVICE TOOL 8"	1.00	1.67
21	2103830600	ALL	NOZZLE ADAPTOR	N.L.A.	N.L.A.
22	2050284600	ALL	HOSE ASSEMBLY	5.00	8.33
	3503409001	ALL	HV ADAPTOR WITH 2 BAGS	N.L.A.	N.L.A.



# HAND VAC™

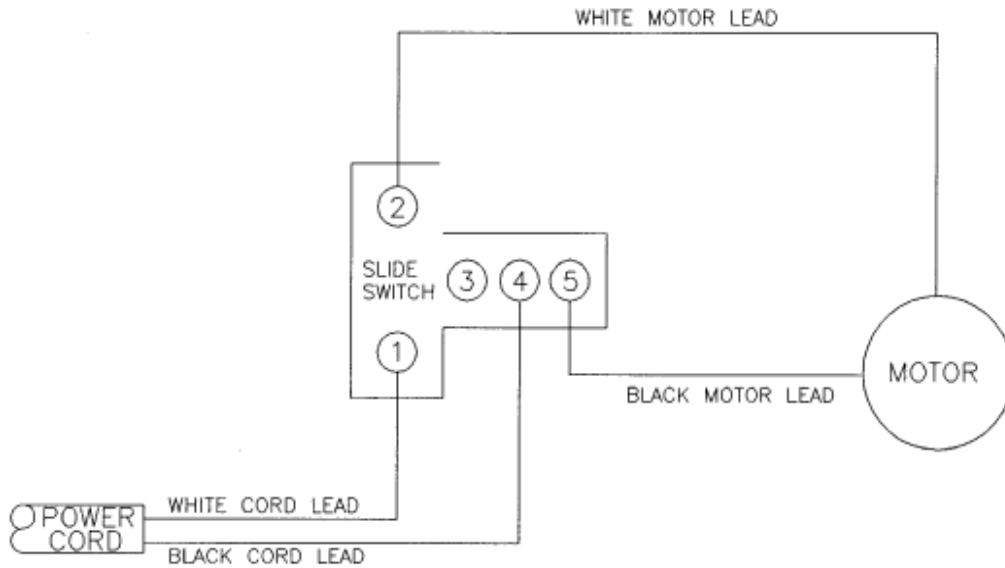
1

## WIRING SCHEMATIC

MODEL 08100, 08100RED, 08150K

### MODEL No.

08100  
08100RED  
08100REDC  
08150K





# HAND VAC™

1

## ACCESSORIES

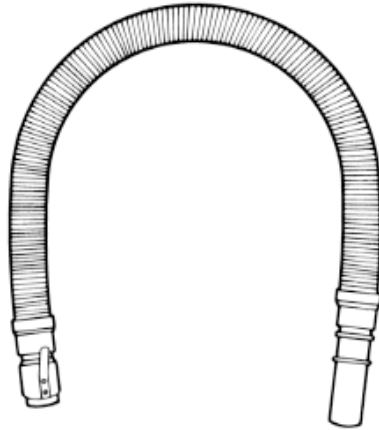
### MODEL No.

08100  
08100RED  
08100REDC  
08150K

Part Number	Model's To Fit	Part Description	Net Cost	List Cost
1050277600	All	WAND	1.26	2.10
1500006600	All	BRACKET,WALL MOUNTING	1.47	2.45
1502801600	All	CREVICE TOOL	1.00	1.67
1503600600	All	SHOULDER STRAP	3.57	5.95
1880262000	All	BELT LIFTER	1.00	1.67
2050284600	All	HOSE ASSEMBLY	5.00	8.33
2103830600	All	NOZZLE ADAPTOR ASSEMBLY	N.L.A.	N.L.A.
3050282600	All	ROUND DUSTING BRUSH	1.42	2.37
M193	All	ATTACHMENT KIT	6.25 NON DISC	10.42



DUSTING BRUSH



FLEX HOSE ASSEMBLY.



NOZZLE ADAPTOR



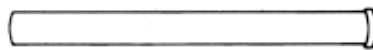
CREVICE TOOL



WALL BRACKET



BELT LIFTER



EXTENSION WAND



SHOULDER STRAP



# HAND VAC™

## *Classic*

1

NOTES

MODEL No.

0100  
08100  
08100RED  
08100REDC  
08150K



This document was created with Win2PDF available at <http://www.daneprairie.com>.  
The unregistered version of Win2PDF is for evaluation or non-commercial use only.