



IMPULSE™

Cordless Power Mop

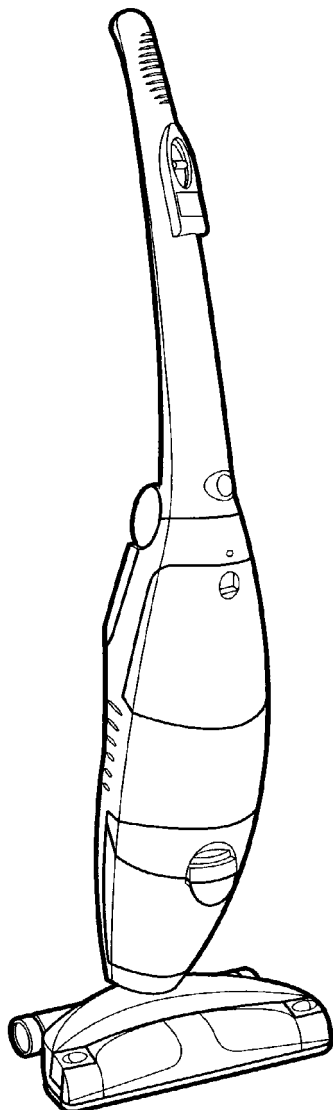
13

SECTION CONTENTS

<u>MODEL NO.</u>	<u>PAGE NO.</u>
H2510	13-2 THRU 13-4

MODEL NO.

H2510



- * PRICING, SPECIFICATION'S, AND PRODUCT AVAILABILITY ARE SUBJECT TO CHANGE WITHOUT NOTICE. PRICING IS FOB FACTORY, CANTON, OH
- * ALL INFORMATION CONTAINED WITHIN THIS SERVICE MANUAL IS PROPRIETARY INFORMATION OF TTI FLOOR CARE NORTH AMERICA.
- * **WARNING:** TO REDUCE THE RISK OF ELECTRICAL SHOCK OR INJURY, ALWAYS DISCONNECT THE APPLIANCE CORD FROM THE ELECTRICAL OUTLET OR REMOVE BATTERY PRIOR TO SERVICING THE UNIT.

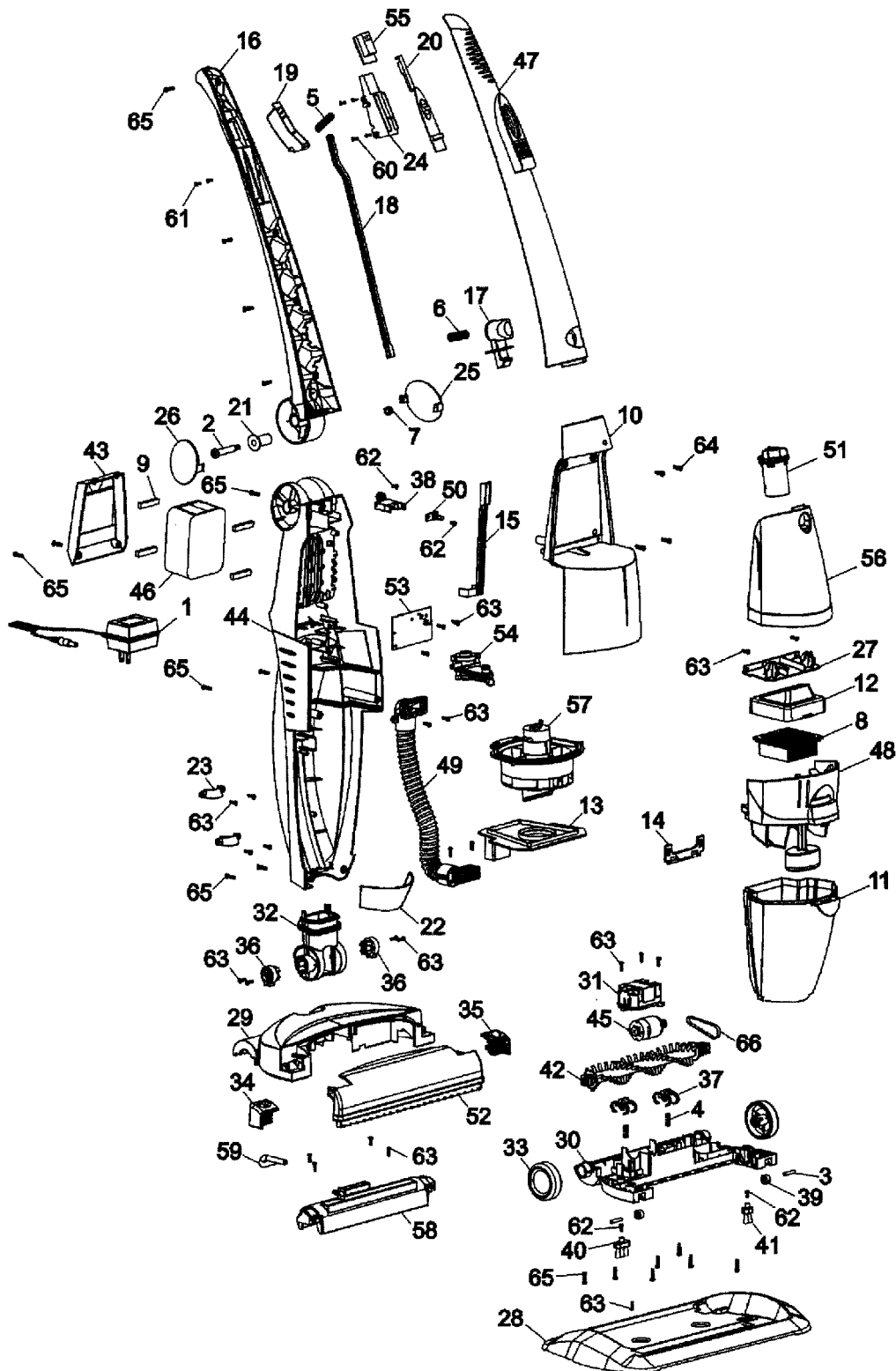


IMPULSE™

Cordless Power Mop

13

ASSEMBLY SCHEMATIC



MODEL NO.

H2510



IMPULSE™

Cordless Power Mop

13

PART LISTING / PRICE LIST

MODEL No.

H2510

ITEM	PART NUMBER	MODELS TO FIT	PART DESCRIPTION	LIST COST
1	93002356	H2510	BATTERY CHARGER	7.65
2	93002363	H2510	PIN - FOLDING HANDLE	N.L.A.
3	93002364	H2510	AXLE - FRONT WHEEL	N.L.A.
4	93002365	H2510	SPRING - HOSE CONNECTOR	N.L.A.
5	93002366	H2510	SPRING - SOLUTION RELEASE BUTTON	.57
6	93002367	H2510	HANDLE RELEASE SPRING	N.L.A.
7	93002368	H2510	NUT - FOLDING HANDLE	N.L.A.
8	93002369	H2510	DIRT CUP FILTER	15.74
9		H2510	SPACER	N.A.
10	93002370	H2510	FRONT HOUSING	N.L.A.
11	93002371	H2510	RECOVERY TANK	N.L.A.
12	93002372	H2510	FILTER RETAINER	N.L.A.
13	93002373	H2510	MOTOR PLATE	N.L.A.
14	93002374	H2510	SOLUTION TANK LOCK	N.L.A.
15	93002375	H2510	LOWER MAIN VALVE ROD	N.L.A.
16	93002376	H2510	HANDLE - BACK	N.L.A.
17	93002377	H2510	HANDLE RELEASE BUTTON	.57
18	93002378	H2510	UPPER VALVE ROD	18.13
19	93002379	H2510	SOLUTION LEVER	N.L.A.
20	93002380	H2510	SWITCH BUTTON	N.L.A.
21	93002381	H2510	BUSHING HANDLE	N.L.A.
22	93002382	H2510	FRONT HOUSING LOWER	N.L.A.
23	93002383	H2510	HOSE CLAMP	.57
24	93002384	H2510	SWITCH BRACKET	N.L.A.
25	93002385	H2510	HANDLE PIVOT COVER - LEFT	N.L.A.
26	93002386	H2510	HANDLE PIVOT COVER - RIGHT	N.L.A.
27	93002387	H2510	SOLUTION TANK LOWER RETAINER	4.83
28	93002388	H2510	STORAGE TRAY	4.82
29	93002389	H2510	HOOD / NOZZLE COVER	N.L.A.
30	93002390	H2510	MAIN BODY / NOZZLE BASE	4.07
31	93002391	H2510	AGITATOR MOTOR COVER	N.L.A.
32	93002392	H2510	HOSE CONNECTOR	N.L.A.
33	93002393	H2510	REAR WHEEL ASSEMBLY	N.L.A.
34	93002394	H2510	NOZZLE RELEASE - RIGHT	N.L.A.
35	93002395	H2510	NOZZLE RELEASE - LEFT	N.L.A.
36	93002396	H2510	HOSE CONNECTOR SIDE	N.L.A.



IMPULSE™
Cordless Power Mop

13

PART LISTING / PRICE LIST

MODEL No.

H2510

ITEM	PART NUMBER	MODELS To FIT	PART DESCRIPTION	LIST COST
37	93002397	H2510	HOSE CONNECTOR HOLDER	N.L.A.
38	93002398	H2510	LED PCB HOLDER	.57
39	93002399	H2510	FRONT WHEEL ASSEMBLY	N.L.A.
40	93002400	H2510	BRUSH - RIGHT	.57
41	93002401	H2510	BRUSH - LEFT	N.L.A.
42	93002413	H2510	AGITATOR ASSEMBLY	N.L.A.
43	93002419	H2510	BATTERY COVER w/FOAM	N.L.A.
44		H2510	BACK HOUSING w/FOAM	N.A.
45	93002417	H2510	AGITATOR MOTOR ASSEMBLY - w/O LEADS	N.L.A.
46	93002357	H2510	BATTERY PACK	20.41
47	93002423	H2510	FRONT HANDLE ASSEMBLY	.57
48	93002414	H2510	RECOVERY TANK LID ASSEMBY	N.L.A.
49		H2510	HOSE ASSEMBLY	N.A.
50	93002426	H2510	PCB LED WITH LEADS	N.L.A.
51	93002422	H2510	SOLUTION TANK CUP ASSEMBLY	4.06
52	93002421	H2510	NOZZLE FRONT ASSEMBLY	9.18
53	93002427	H2510	PCB - MAIN	N.L.A.
54	93002416	H2510	MAIN VALVE ASSEMBLY	N.L.A.
55	93002425	H2510	PCB SWITCH - WITH LEADS	N.L.A.
56	93002415	H2510	SOLUTION TANK ASSEMBLY	N.L.A.
57	93002412	H2510	MOTOR ASSEMBLY - w/O LEADS	N.L.A.
58	93002418	H2510	AGITATOR HOUSING COVER ASSEMBLY	N.L.A.
59	93002402	H2510	SOLUTION TUBE	N.L.A.
60	93002404	H2510	SWITCH BRACKET SCREW	N.L.A.
61	93002405	H2510	HANDLE SCREW	N.L.A.
62	93002406	H2510	LED PCB HOLDER SCREW	N.L.A.
63	93002407	H2510	BODY SCREW	N.L.A.
64	93002408	H2510	FRONT HOUSING SCREW	N.L.A.
65	93002409	H2510	NOZZLE BASE SCREW	N.L.A.
66	93002410	H2510	AGITATOR BELT	N.L.A.

This document was created with Win2PDF available at <http://www.daneprairie.com>.
The unregistered version of Win2PDF is for evaluation or non-commercial use only.