



LIGHTWEIGHT
BAGGED
UPRIGHT

PLATINUM
Collection

BAGGED
CANISTER
VACUUM

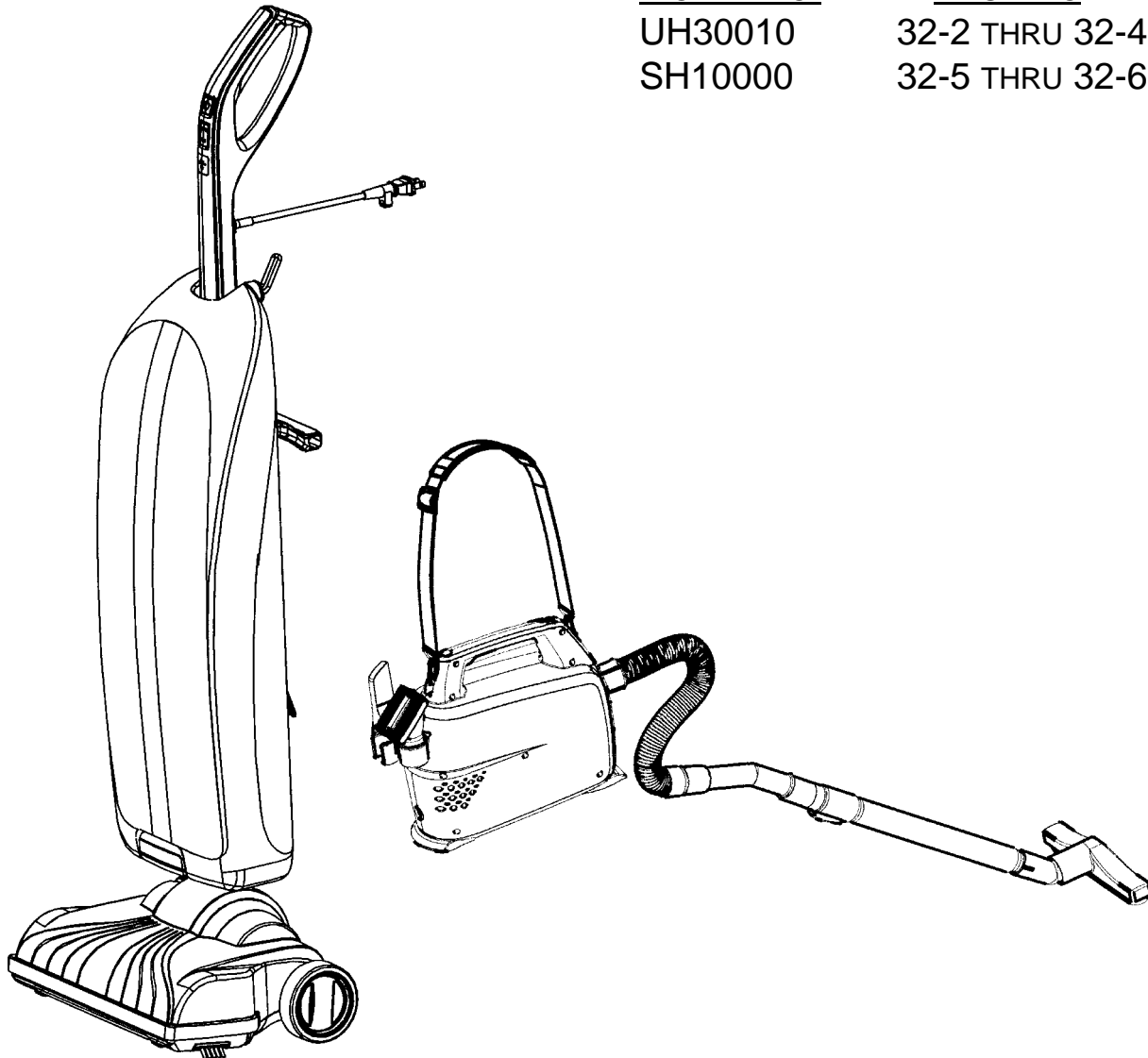
32

SECTION CONTENTS

<u>MODEL No.</u>	<u>PAGE No.</u>
UH30010	32-2 THRU 32-4
SH10000	32-5 THRU 32-6

MODEL No.

UH30010COM
UH30010
SH10000



- * PRICING, SPECIFICATION'S, AND PRODUCT AVAILABILITY ARE SUBJECT TO CHANGE WITHOUT NOTICE. PRICING IS FOB FACTORY, CANTON, OH
- * ALL INFORMATION CONTAINED WITHIN THIS SERVICE MANUAL IS PROPRIETARY INFORMATION OF TTI FLOOR CARE NORTH AMERICA.
- * **WARNING:** TO REDUCE THE RISK OF ELECTRICAL SHOCK OR INJURY, ALWAYS DISCONNECT THE APPLIANCE CORD FROM THE ELECTRICAL OUTLET OR REMOVE BATTERY PRIOR TO SERVICING THE UNIT.



PLATINUM
Collection

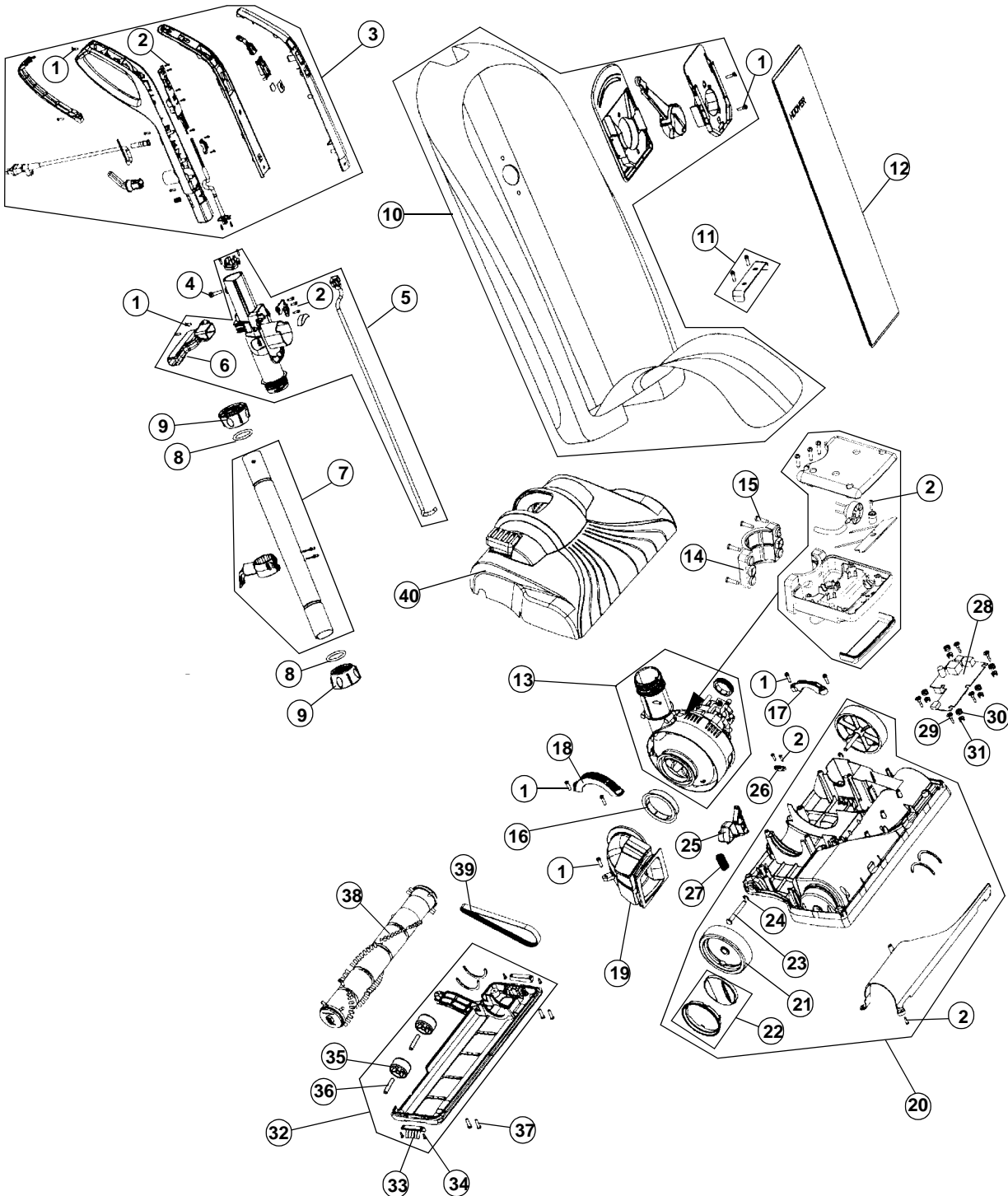
LIGHTWEIGHT
BAGGED
UPRIGHT

32

ASSEMBLY SCHEMATIC

MODEL No.

UH30010





PLATINUM
Collection

LIGHTWEIGHT
BAGGED
UPRIGHT

32

PART LISTING / PRICE LIST

MODEL No.

UH30010

ITEM	PART NUMBER	MODELS To FIT	PART DESCRIPTION	LIST COST
1	660294006	UH30010	BODY SCREW - 4 x 16MM	.88
2	660203062	UH30010	SCREW - 3 x 12MM	.88
3	002069001	UH30010	HANDLE ASSEMBLY	118.93
4	660165010	UH30010	HANDLE SCREW - 4 x 18MM	.88
5	002062001	UH30010	UPPER HANDLE TUBE ASSEMBLY	20.16
6	517961001	UH30010	CARRY HANDLE	2.24
7	002063001	UH30010	LOWER HANDLE TUBE ASSEMBLY	12.39
8	562188001	UH30010	SEALING O-RING - LOWER HANDLE TUBE	.88
9	517963001	UH30010	RETAINING COLLAR - LOWER HANDLE TUBE	1.47
10	002058001	UH30010	OUTER CLOTH BAG ASSEMBLY	177.71
11	002059001	UH30010	FIXING PLATE AND SCREW ASSEMBLY - CLOTH BAG ASSEMBLY	.84
12	302982002	UH30010	TYPE Q BAG HEPA - INNER DISPOSABLE BAG	5.46
	AH10000	UH30010	TYPE Q BAG HEPA - INNER DISPOSABLE BAG 2 PK	5.00 NON DISC
	AH10020	UH30010	TYPE Q BAG ALLGN- INNER DISPOSABLE BAG 3 PK	N.A.
13	002070001	UH30010	MOTOR AND HEADLIGHT ASSEMBLY	114.14
14	517947001	UH30010	BRACKET - HEADLIGHT HOUSING	1.19
15	660021002	UH30010	SCREW - 8 x 16MM HEADLIGHT BRACKET	.57
16	517944001	UH30010	MOTOR SEAL	.88
17	517942001	UH30010	MOTOR CLAMP - RIGHT	.88
18	517941001	UH30010	MOTOR CLAMP - LEFT	.88
19	002065001	UH30010	DIRT PASSAGE DUCT ASSEMBLY	5.60
20	002061001	UH30010	NOZZLE BASE ASSEMBLY	70.00
21	002071001	UH30010	REAR WHEEL ASSEMBLY	4.83
22	002064001	UH30010	HUBCAP ASSEMBLY	5.25
23	620859001	UH30010	REAR WHEEL SHAFT	1.61
24	691040002	UH30010	REAR WHEEL E-CLIP	.88
25	517935001	UH30010	HANDLE STOPPER	.88
26	510368001	UH30010	CORD GROMMET	6.67
27	690394001	UH30010	SPRING - HANDLE RELEASE PEDAL	.88
28	280532001	UH30010	MAIN PCB ASSEMBLY	67.34
29	660202016	UH30010	SCREW - PCB	.88
30	561690001	UH30010	SILICON WASHER - PCB	.88
31	691259001	UH30010	WASHER - PCB	PENDING
32	002066001	UH30010	NOZZLE GUARD ASSEMBLY	11.97
33	002067001	UH30010	EDGE CLEANING BRISTLE ASSEMBLY	.56



PLATINUM
Collection

LIGHTWEIGHT
BAGGED
UPRIGHT

32

PART LISTING / PRICE LIST

ITEM	PART NUMBER	MODELS TO FIT	PART DESCRIPTION	LIST COST
34	001080011	UH30010	SCREW PACKAGE - 3 x 10MM EDGE CLEANING ASSEMBLY	.57
35	002068001	UH30010	FRONT WHEEL ASSEMBLY	2.24
36	620858001	UH30010	FRONT WHEEL SHAFT	PENDING
37	660212060	UH30010	SCREW - 4 x 16MM NOZZLE GUARD	.88
38	301428009	UH30010	BRUSH ROLL ASSEMBLY	21.32
39	562200001	UH30010	V-BELT	15.68
40	002060001	UH30010	NOZZLE COVER ASSEMBLY	32.97

MODEL No.

UH30010



PLATINUM
Collection

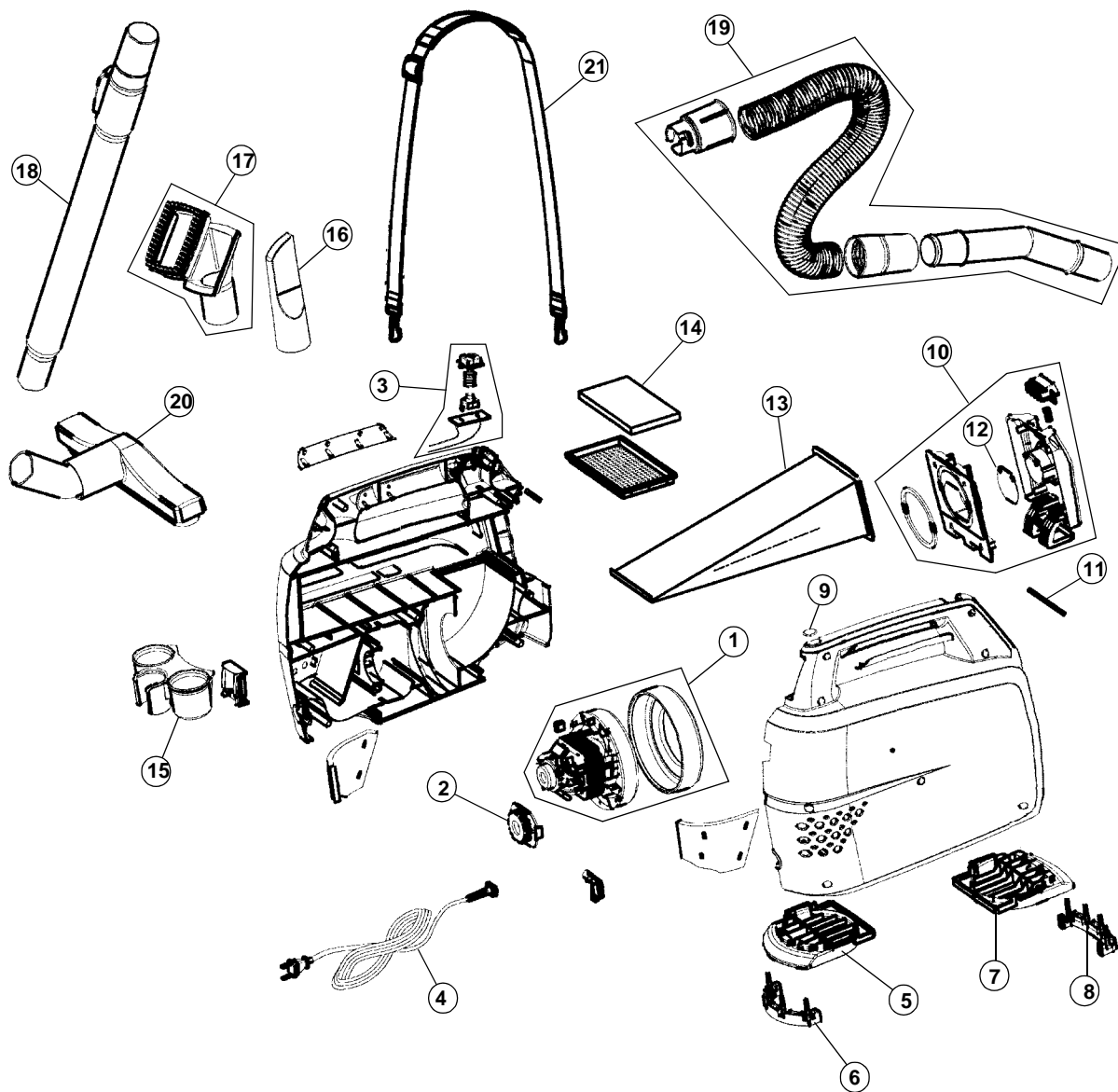
**BAGGED
CANISTER
VACUUM**

32

ASSEMBLY SCHEMATIC

MODEL No.

SH10000





PLATINUM
Collection

**BAGGED
CANISTER
VACUUM**

32

PART LISTING / PRICE LIST

MODEL No.

SH10000

ITEM	PART NUMBER	MODELS TO FIT	PART DESCRIPTION	LIST COST
1	2HVR101000	SH10000	MOTOR ASSEMBLY	33.88
2	5002850590	SH10000	MOTOR GROMMET	3.96
3	2HVR104000	SH10000	SWITCH ASSEMBLY WITH LEADS	6.01
4	4000150590	SH10000	POWER CORD	20.79
5	1001505911	SH10000	FOOT - FRONT	4.27
6	5000450590	SH10000	RUBBER FOOT - FRONT	1.26
7	1001505920	SH10000	FOOT - REAR	4.16
8	5000450592	SH10000	RUBBER FOOT - REAR	1.26
9	2000850590	SH10000	MEDALLION - HOOVER	3.29
10	2HVR102000	SH10000	BAG DOOR ASSEMBLY	10.58
11	3001250590	SH10000	PIN - BAG DOOR	.33
12	5000150590	SH10000	DIRT FLAP - BAG DOOR	.22
13	985059002	SH10000	TYPE I BAG HEPA	2.19
	AH10005	SH10000	TYPE I BAG HEPA - 2 PK	2.40 NON DISC
	AH10025	SH10000	TYPE I BAG ALLERGEN - 3 PK	N.A.
14	5003850590	SH10000	INLET FOAM FILTER	1.05
15	1004505906	SH10000	TOOL HOLDER	2.03
16	1004505903	SH10000	CREVICE TOOL	2.60
17	1004505901	SH10000	UPHOLSTERY TOOL	4.41
18	2HVR100000	SH10000	TELESCOPING EXTENSION WAND	20.09
19	2HVR103000	SH10000	HOSE ASSEMBLY	18.28
20	2HVR105000	SH10000	NOZZLE FLOOR BRUSH ASSEMBLY	15.05
21	5002650590	SH10000	SHOULDER CARRYING STRAP	4.48
	304077001	SH10000	COMPLETE CANISTER UNIT ONLY NOT INCLUDING ACCESSORIES	99.00 NON DISC

This document was created with Win2PDF available at <http://www.daneprairie.com>.
The unregistered version of Win2PDF is for evaluation or non-commercial use only.