



SWIFT STICK™

Scorpion®
handi stick



STICK
VAC

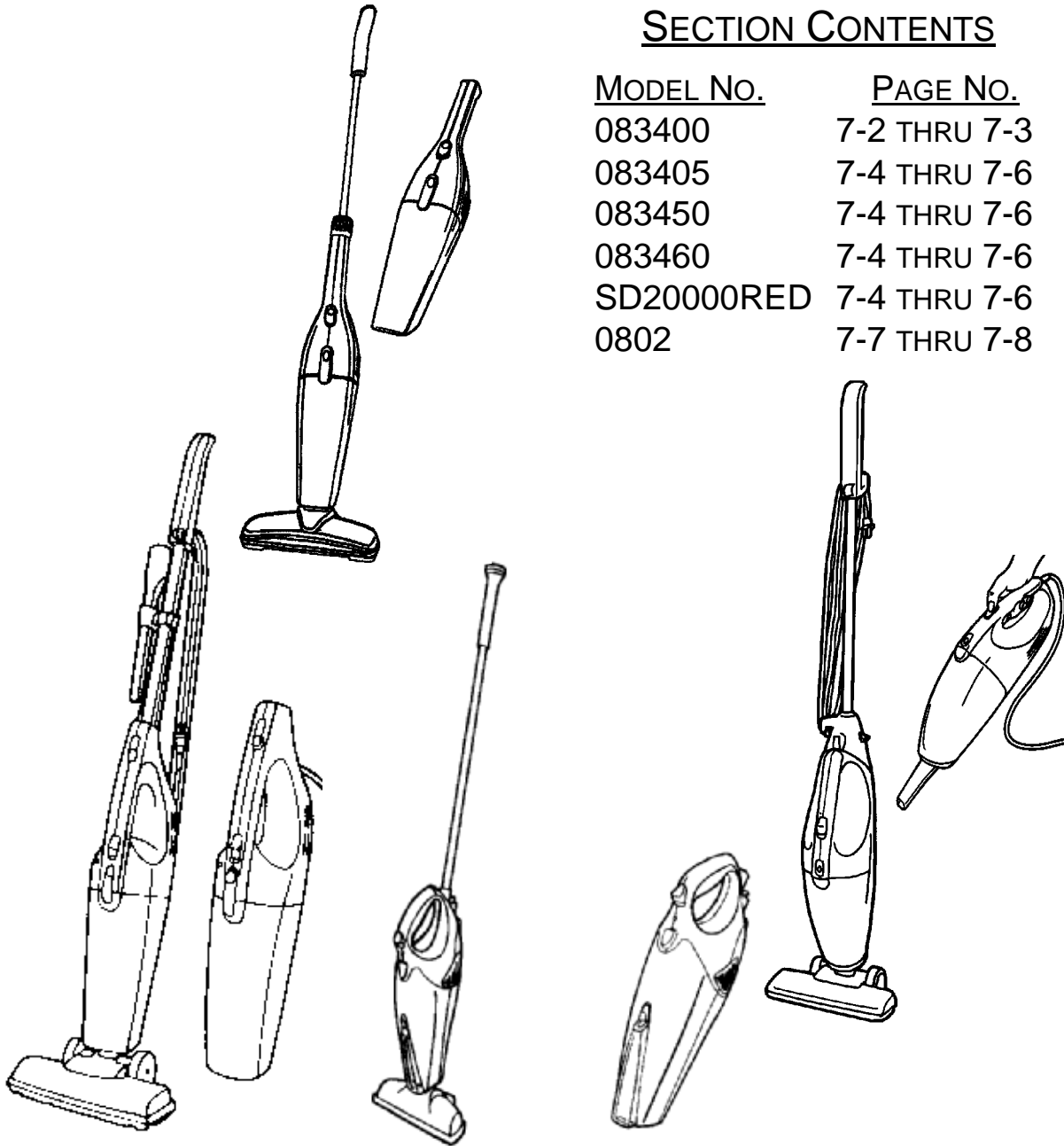
7

SECTION CONTENTS

<u>MODEL NO.</u>	<u>PAGE NO.</u>
083400	7-2 THRU 7-3
083405	7-4 THRU 7-6
083450	7-4 THRU 7-6
083460	7-4 THRU 7-6
SD20000RED	7-4 THRU 7-6
0802	7-7 THRU 7-8

MODEL No.

0802
083400
083405
083450
083460
SD20000RED

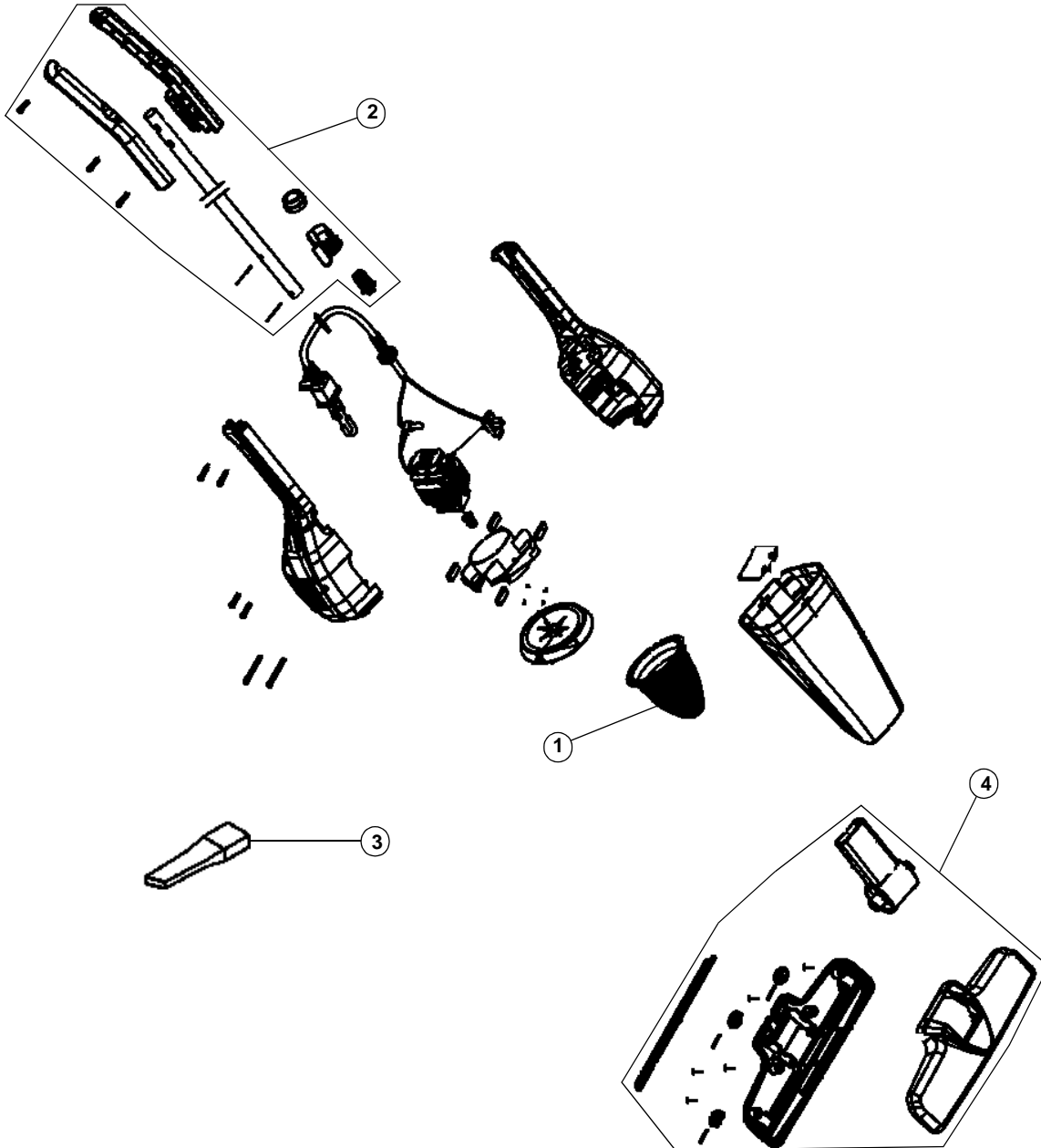


- * PRICING, SPECIFICATION'S, AND PRODUCT AVAILABILITY ARE SUBJECT TO CHANGE WITHOUT NOTICE. PRICING IS FOB FACTORY, GLENWILLOW, OH
- * ALL INFORMATION CONTAINED WITHIN THIS SERVICE MANUAL IS PROPRIETARY INFORMATION OF TTI FLOOR CARE NORTH AMERICA.
- * **WARNING:** TO REDUCE THE RISK OF ELECTRICAL SHOCK OR INJURY, ALWAYS DISCONNECT THE APPLIANCE CORD FROM THE ELECTRICAL OUTLET OR REMOVE BATTERY PRIOR TO SERVICING THE UNIT.

ASSEMBLY SCHEMATIC

MODEL No.

083400





SWIFT STICK™

STICK
VAC

7

PART LISTING / PRICE LIST

MODEL No.

083400

Item	Part Number	Model's To Fit	Part Description	Net Cost	List Cost
1	2834210000	083400	FILTER ASSEMBLY	.75	1.25
2	2834050000	083400	HANDLE ASSEMBLY	N.L.A.	N.L.A.
3	1834290000	083400	CREVICE TOOL	N.L.A.	N.L.A.
4	2834005300	083400	FLOOR BRUSH ASSEMBLY	N.L.A.	N.L.A.



SWIFT STICK™



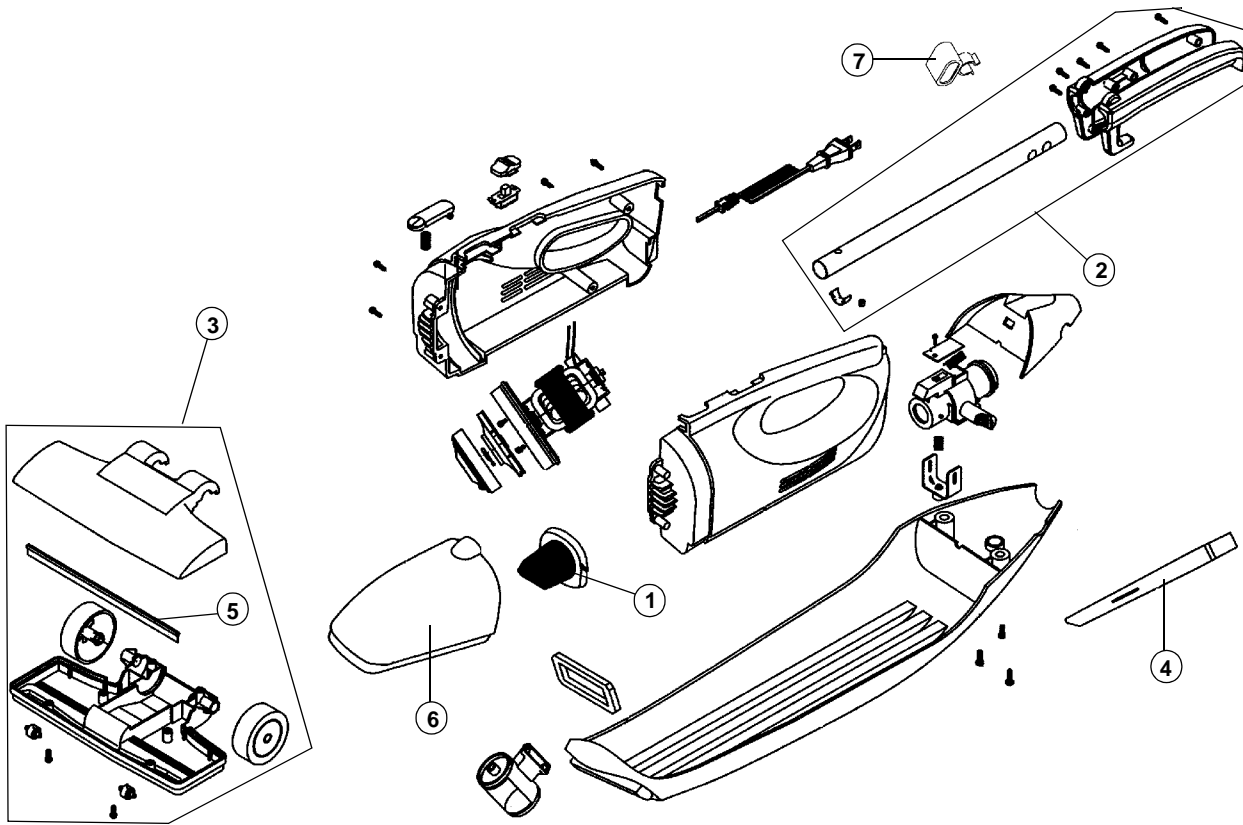
STICK
VAC

7

ASSEMBLY SCHEMATIC

MODEL No.

083405
083450
083460
SD20000RED





SWIFT STICK™

STICK
VAC



7

PART LISTING / PRICE LIST

Item	Part Number	Model's To Fit	Part Description	Net Cost	List Cost
1	2SV1102000	083405, SD20000	F-25 FILTER ASSEMBLY	3.23	5.38
	2834221000	083450, 083460	FILTER ASSEMBLY	1.00	1.67
2	2SV1104000	083405, SD20000	HANDLE ASSEMBLY - BLACK	3.03	5.05
	2834222000	083450, 083460	HANDLE ASSEMBLY	3.47	5.78
3	2SV1101000	083405, SD20000	NOZZLE ASSEMBLY - BLACK	3.63	6.05
	2834223000	083450, 083460	NOZZLE ASSEMBLY	N.L.A.	N.L.A.
4	1SV1102000	083405, SD20000	CREVICE TOOL	1.00	1.67
	1834291000	083450, 083460	CREVICE TOOL	1.00	1.67
5	1834292000	083450, 083460	FLOOR BRUSH	N.L.A.	N.L.A.
6	1SV1101000	083405, SD20000	DIRT CUP - BLACK	3.36	5.60
7	1SV1103000	083405, SD20000	TOOL CLIP	.50	.83

MODEL No.

083405
083450
083460
SD20000RED



SWIFT STICK™

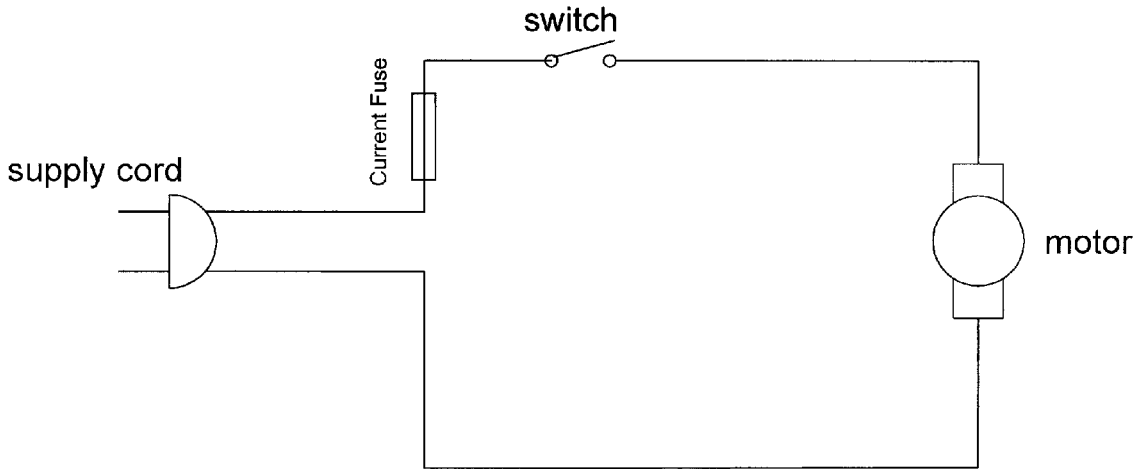
STICK
VAC



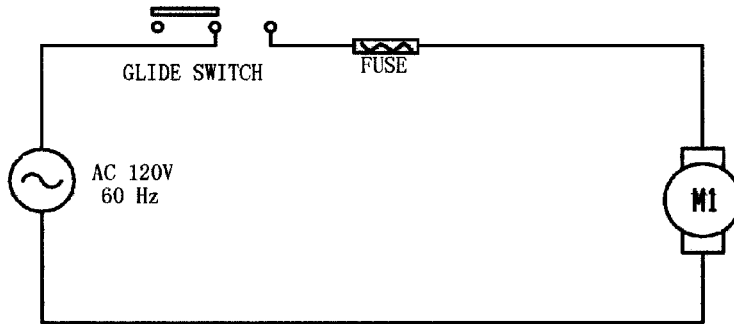
7

WIRING SCHEMATIC

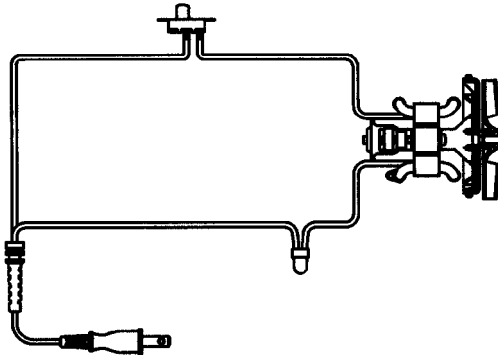
MODEL No.



083405
SD20000RED



083450

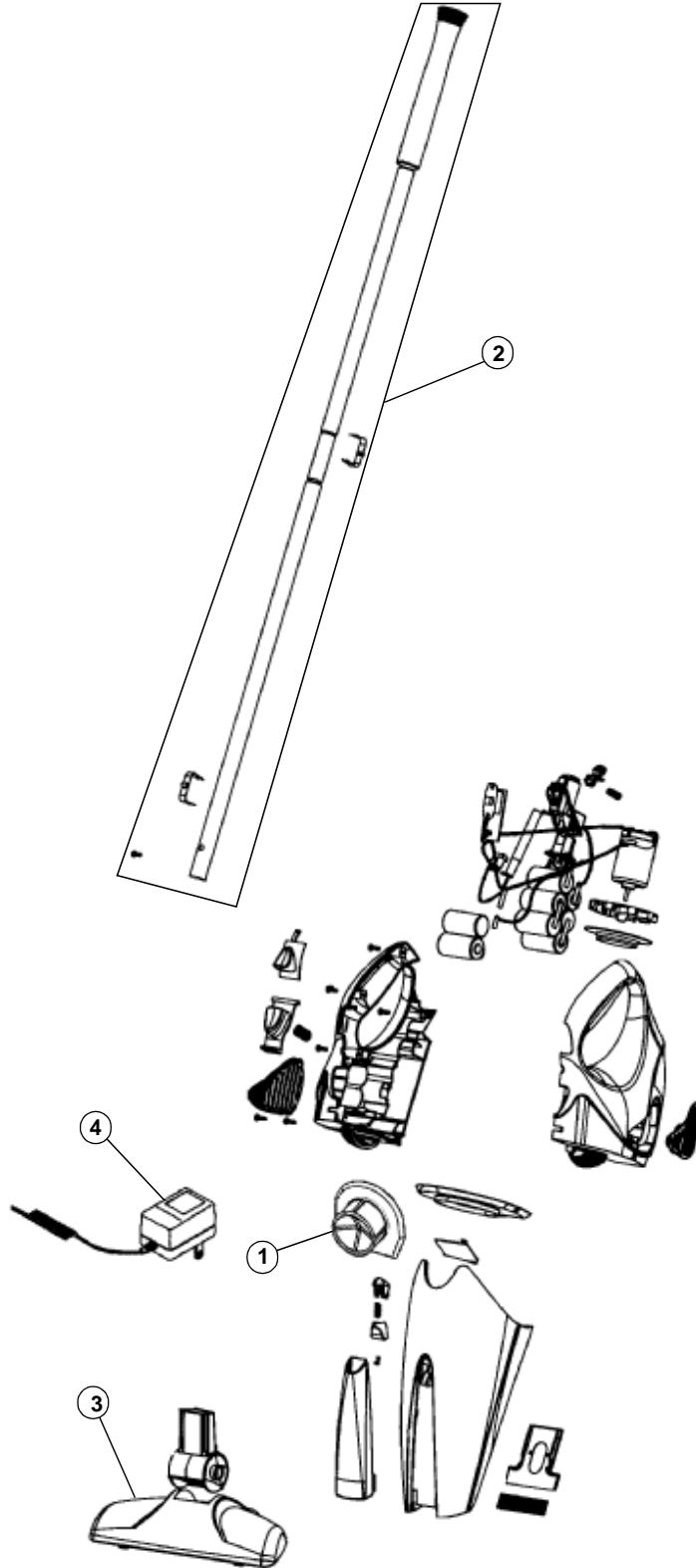


083460

ASSEMBLY SCHEMATIC

MODEL No.

0802





7

PART LISTING / PRICE LIST

MODEL No.

0802

Item	Part Number	Model's To Fit	Part Description	Net Cost	List Cost
1	3ME1950001	0802	F-4 / UNIVERSAL FILTER ASSEMBLY	2.50 NON DISC	4.17
2	2DL1000000	0802	HANDLE ASSEMBLY	N.L.A.	N.L.A.
3	2DL2000000	0802	FLOOR BRUSH ASSEMBLY	4.79	7.98
4	2DL3000000	0802	CHARGER	7.49	12.48

This document was created with Win2PDF available at <http://www.daneprairie.com>.
The unregistered version of Win2PDF is for evaluation or non-commercial use only.