



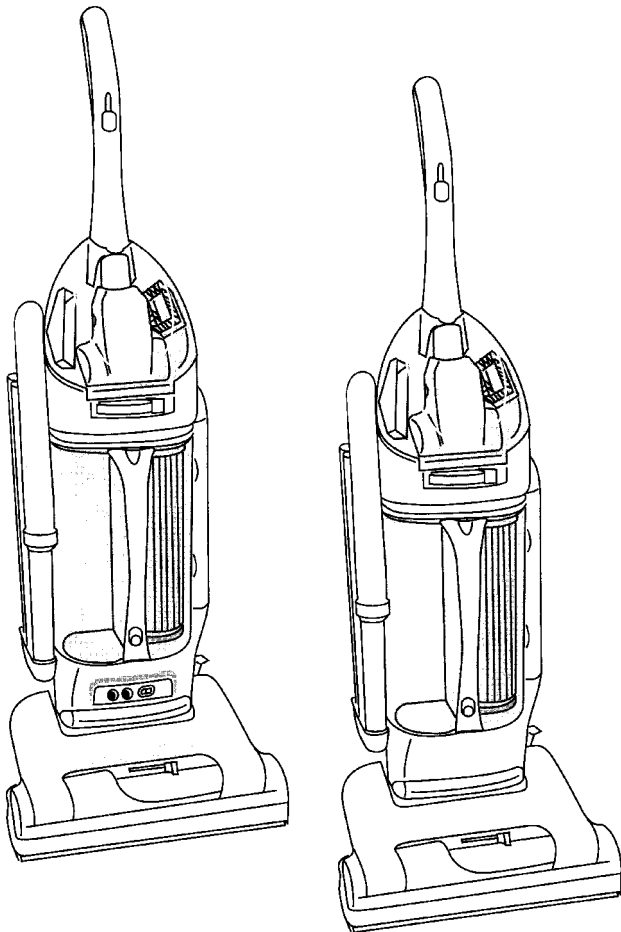
WINDTUNNEL™ BAGLESS

SECTION CONTENTS

<u>MODEL NO.</u>	<u>PAGE NO.</u>
U5753-900	7-2 THRU 7-6
U5760-900	7-2 THRU 7-6
U5786-900	7-2 THRU 7-6
UH40115	7-2 THRU 7-6
UH40125	7-2 THRU 7-6
U5762-900	7-7 THRU 7-11
UH40020	7-7 THRU 7-11
UH40065	7-7 THRU 7-11
UH40145B	7-7 THRU 7-11
UH40265	7-7 THRU 7-11

MODEL No.

- U5753-900
- U5760-900
- U5762-900
- U5786-900
- UH40020
- UH40065
- UH40115
- UH40125
- UH40145B
- UH40265



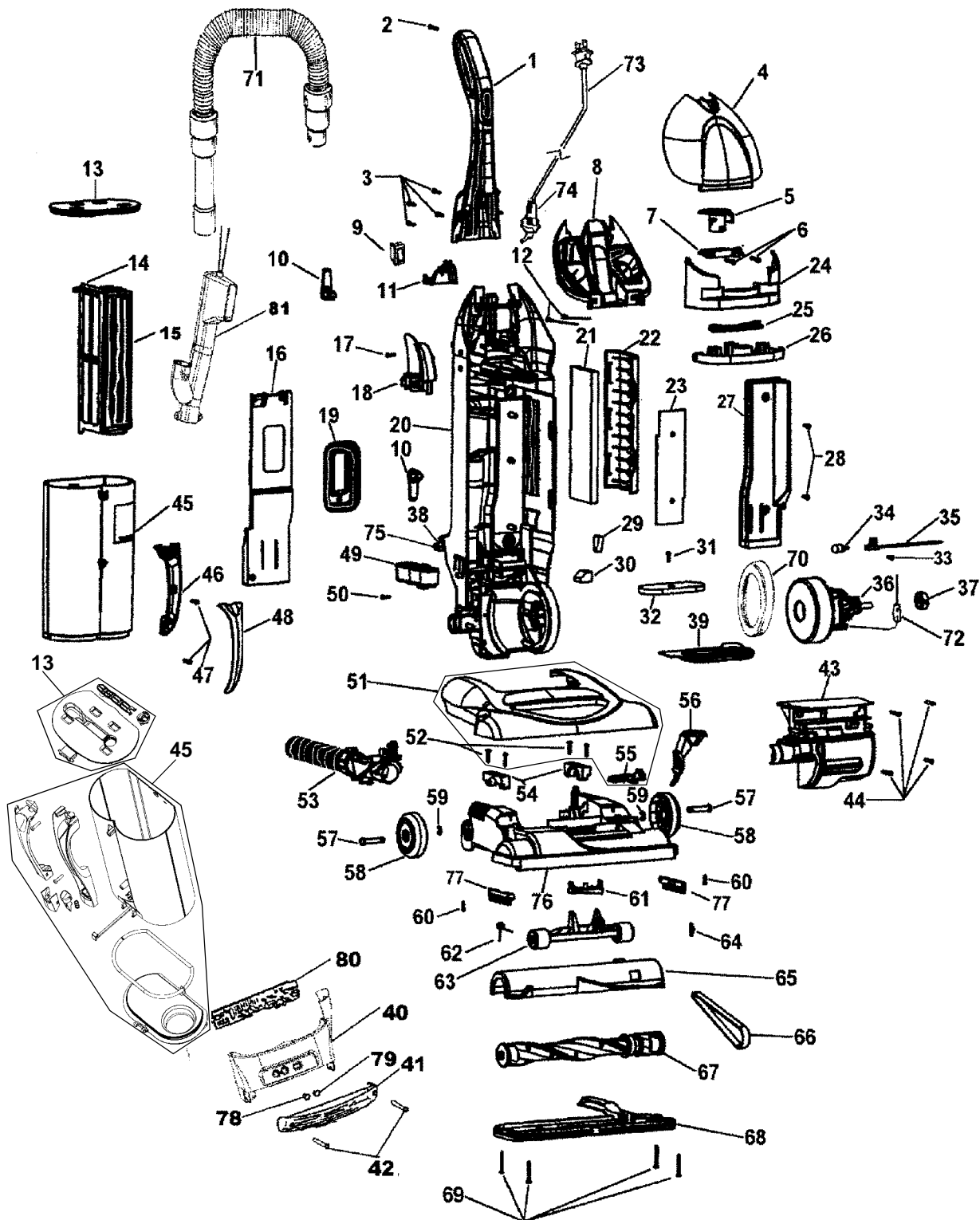
- * PRICING, SPECIFICATION'S, AND PRODUCT AVAILABILITY ARE SUBJECT TO CHANGE WITHOUT NOTICE. PRICING IS FOB FACTORY, CANTON, OH
- * ALL INFORMATION CONTAINED WITHIN THIS SERVICE MANUAL IS PROPRIETARY INFORMATION OF TTI FLOOR CARE NORTH AMERICA.
- * **WARNING:** TO REDUCE THE RISK OF ELECTRICAL SHOCK OR INJURY, ALWAYS DISCONNECT THE APPLIANCE CORD FROM THE ELECTRICAL OUTLET OR REMOVE BATTERY PRIOR TO SERVICING THE UNIT.



WINDTUNNEL™ BAGLESS

7

ASSEMBLY SCHEMATIC



MODEL No.

U5753-900
U5760-900
U5786-900
UH40115
UH40125



WINDTUNNEL™ BAGLESS

7

PART LISTING / PRICE LIST

ITEM	PART NUMBER	MODELS TO FIT	PART DESCRIPTION	LIST COST
1	39466088	ALL	UPPER HANDLE ASSEMBLY - DARK CHARCOAL GRAY	9.06
2	21447236	ALL	SCREW	1.12
3	21447072	ALL	SCREW	.57
4	37257305	ALL	TOOL DOOR WITH LOGO	5.44
	92001283	ALL	TOOL DOOR - SUB	4.86
5	38562034	ALL	DIRT CUP LID LATCH - BLACK	1.12
6	21447242	ALL	SCREW - SELF TAPPING	1.12
7	36155013	ALL	DIRT CUP LID LATCH HOLDER - DARK CHARCOAL GRAY	1.12
8	36433146	ALL	TOOL HOLDER - DARK CHARCOAL GRAY	9.74
9	28161075	ALL	SWITCH - TWO BLACK LEADS	2.63
10	39442048	ALL	CORD WRAP - MAGNESIUM GRAY	1.14
11	36923004	ALL	SWITCH SUPPORT - DARK CHARCOAL GRAY	2.26
12	21447246	ALL	SCREW	1.12
13	37249042	U5753900, U5760900	DIRT CUP LID	6.20
	42249015	U5786900, UH40115, UH40125	DIRT CUP LID ASSEMBLY	4.06
14	36426068	U5753900, U5760900	PRE-FILTER SUPPORT ASSEMBLY	10.12
	36426099	U5786900, UH40115, UH40125	PRE-FILTER SUPPORT ASSEMBLY	6.07
15	40140201	ALL	CARTRIDGE FILTER	16.00 NON DISC
16	37258121	ALL	WIRE CHANNEL COVER - DARK CHARCOAL GRAY	4.86
17	21447242	ALL	SCREW - SELF TAPPING	1.12
18	36433148	ALL	UPPER WAND/HOSE HOLDER - DARK CHARCOAL GRAY	3.16
19	38783027	ALL	DIRT CUP INLET SEAL - BLACK	4.53
20	42259027	ALL	BACK HOUSING ASSEMBLY - DARK CHARCOAL GRAY	40.24
21	40110006	ALL	FINAL / EXHAUST FILTER - 2 PK	3.49 NON DISC
22	37257289	ALL	FINAL / EXHAUST FILTER DOOR - MIST GRAY TRANSPARENT	6.79
23		ALL	FOAM - MUFFLER FILTER	N.A.

MODEL No.

U5753-900
U5760-900
U5786-900
UH40115
UH40125



WINDTUNNEL™ BAGLESS

7

PART LISTING / PRICE LIST

ITEM	PART NUMBER	MODELS TO FIT	PART DESCRIPTION	LIST COST
24	37258181	U5753900	DIRT CUP LATCH COVER SHROUD - COSMIC BLUE METALLIC	5.66
	37258166	U5760900	DIRT CUP LATCH COVER SHROUD - PEWTER METALLIC	5.88
	37258210	U5786900, UH40115	DIRT CUP LATCH COVER SHROUD - SILVER	PENDING
	37258223	UH40125	DIRT CUP LATCH COVER SHROUD - GRAPHITE GRAY METALLIC	PENDING
25	37258185	U5753900	CAM SLOT CAP - COSMIC BLUE METALLIC	1.81
	37258167	U5760900	CAM SLOT CAP - PEWTER METALLIC	N.L.A.
	37258206	U5786900, UH40115, UH40125	CAM SLOT CAP - SILVER	PENDING
26	38567062	ALL	DIRT CUP LATCH COVER	2.57
27	37259016	ALL	MUFFLER FILTER COVER - DARK CHARCOAL GRAY	4.86
28	21447242	ALL	SCREW - SELF TAPPING	1.12
29	34131009	ALL	WIRE CHANNEL FOAM	1.12
30	34131019	ALL	WIRE OPENING PLUG	1.12
31	21447242	ALL	SCREW - SELF TAPPING	1.12
32	38762008	ALL	SECONDARY / INLET FILTER	2.47
33	21447072	ALL	SCREW	.57
34	27313101	ALL	LAMP - LIGHT BULB	2.26
35	47173027	ALL	WIRING HARNESS	4.53
36	27212057	ALL	MOTOR ASSEMBLY COMPLETE	62.09
37	36322030	ALL	MOTOR MOUNT - SMALL	1.12
38	21447242	ALL	SCREW - SELF TAPPING	1.12
39	43615088	ALL	SECONDARY / INLET FILTER RETAINER	4.53
40	37944024	U5753900	CIRCUIT BOARD COVER - COSMIC BLUE	5.31
	37944027	U5760900	CIRCUIT BOARD COVER - PEWTER	5.31
	37944031	U5786900, UH40115	CIRCUIT BOARD COVER - SILVER	PENDING
	37944042	UH40125	CIRCUIT BOARD COVER - GRAPHITE GRAY	PENDING
	51464006	ALL	EDF NAME PLATE	PENDING
41	39383107	ALL	LENS	2.59
42	21447228	ALL	SCREW - SELF TAPPING	.57
43	37196160	ALL	MOTOR COVER	9.06
44	21447230	ALL	SCREW - SELF TAPPING	1.12
		U5786900, UH40115, UH40125	DIRT CUP HANDLE - ORDER #45	

MODEL No.

U5753-900
U5760-900
U5786-900
UH40115
UH40125



WINDTUNNEL™ BAGLESS

7

PART LISTING / PRICE LIST

ITEM	PART NUMBER	MODELS TO FIT	PART DESCRIPTION	LIST COST
45	42254195	ALL	COMPLETE DIRT CUP ASSEMBLY	42.77
46	39457018	U5753900, U5760900	DIRT CUP HANDLE - INNER	3.39
47	21447043	ALL	SCREW - SELF TAPPING	.57
48	39457049	U5753900	DIRT CUP HANDLE COVER	4.86
	39457033	U5760900	DIRT CUP HANDLE COVER	4.86
		U5786900, UH40115, UH40125	DIRT CUP HANDLE COVER - ORDER #45	
49	36433147	ALL	LOWER WAND HOLDER - DARK CHARCOAL GRAY	1.69
50	21447242	ALL	SCREW - SELF TAPPING	1.12
51	37253419	U5753900	HOOD / NOZZLE COVER - BLUE	17.00
	37253393	U5760900	HOOD / NOZZLE COVER - PEWTER	28.34
	42252B76	U5786900, UH40115	HOOD / NOZZLE COVER - SILVER	43.73
	42252B82	UH40125	HOOD / NOZZLE COVER - GRAPHITE GRAY	PENDING
52	21447072	ALL	SCREW	.57
53	43516010	ALL	LOWER HOSE / VALVE ASSEMBLY	13.60
54	36131094	ALL	TRUNNION COVER	1.12
55	40309004	ALL	HEIGHT ADJUSTMENT LEVER AND CAM	3.16
56	38458043	ALL	HANDLE RELEASE LEVER	2.26
57	32434007	ALL	REAR AXEL	1.12
58	38522077	U5753900, U5760900	REAR WHEEL	2.26
	43247033	U5786900, UH40115, UH40125	REAR WHEEL ASSEMBLY	6.82
59	160017--	ALL	LOCK RING	.58
60	21447228	ALL	SCREW - SELF TAPPING	.57
61	40309004	ALL	HEIGHT ADJUSTMENT LEVER AND CAM	3.16
62	38355010	ALL	TORSION SPRING	1.12
63	43248064	ALL	FRONT WHEEL ASSEMBLY COMPLETE	9.06
64	013261AY	ALL	RIB SHOES	.57
65	40309026	ALL	BOTTOM PLATE DUCT AND NOZZLE GUARD	19.27
66	38528033	ALL	FLAT BELT	1.15 NON DISC
	40201160	ALL	FLAT BELT - 2 PACK	1.50 NON DISC
67	48414132	ALL	AGITATOR / BRUSH ROLL - 15" WOODEN	17.25
68	ORDER #65	ALL	BOTTOM PLATE DUCT AND NOZZLE GUARD	N.L.A.

MODEL No.

U5753-900
U5760-900
U5786-900
UH40115
UH40125



WINDTUNNEL™ BAGLESS

7

PART LISTING / PRICE LIST

ITEM	PART NUMBER	MODELS TO FIT	PART DESCRIPTION	LIST COST
69	21447121	ALL	SCREW	.57
70	36322037	ALL	MOTOR MOUNT - LARGE	2.59
71	43491087	ALL	HOSE ASSEMBLY	13.60
72	28382093	ALL	THERMAL PROTECTOR	7.58
73	46383334	ALL	POWER CORD - 35'	15.87
74	36215028	ALL	CORD PROTECTOR	1.81
75	36171035	ALL	HOSE CLAMP	1.12
76	37242135	ALL	MAIN BODY / NOZZLE BASE	15.87
77	39511018	ALL	LITTER PICKER - BLACK	2.26
78		ALL	GREEN LENS - SNAP IN	N.A.
79	27352030	ALL	RED LENS - SNAP IN	.60
80	46851083	ALL	PRINTED CIRCUIT BOARD	9.44
81	43486014	U5753900, U5760900	DIRT DUCT TUBE WITH MICROPHONE	4.53
	43486020	U5786900, UH40115, UH40125	DIRT DUCT TUBE WITH MICROPHONE	PENDING
	38614044	U5753900, U5760900	FURNITURE NOZZLE - GRAPHITE GRAY	5.66
	38614045	U5786900, UH40115, UH40125	FURNITURE NOZZLE - BLACK	3.39
	38617031	ALL	CREVICE TOOL - LONG GRAPHITE GRAY	5.66
	38617033	ALL	CREVICE TOOL - SHORT	3.39
	38634078	ALL	EXTENSION TUBE - BLACK	6.79
	43414197	ALL	DUSTING BRUSH ASSEMBLY - BLACK	2.68
	49129032	ALL	TURBINE HAND TOOL	14.62
	43434043	ALL	HOSE ASSEMBLY DELUXE - 20' EXTRA REACH	43.46

MODEL No.

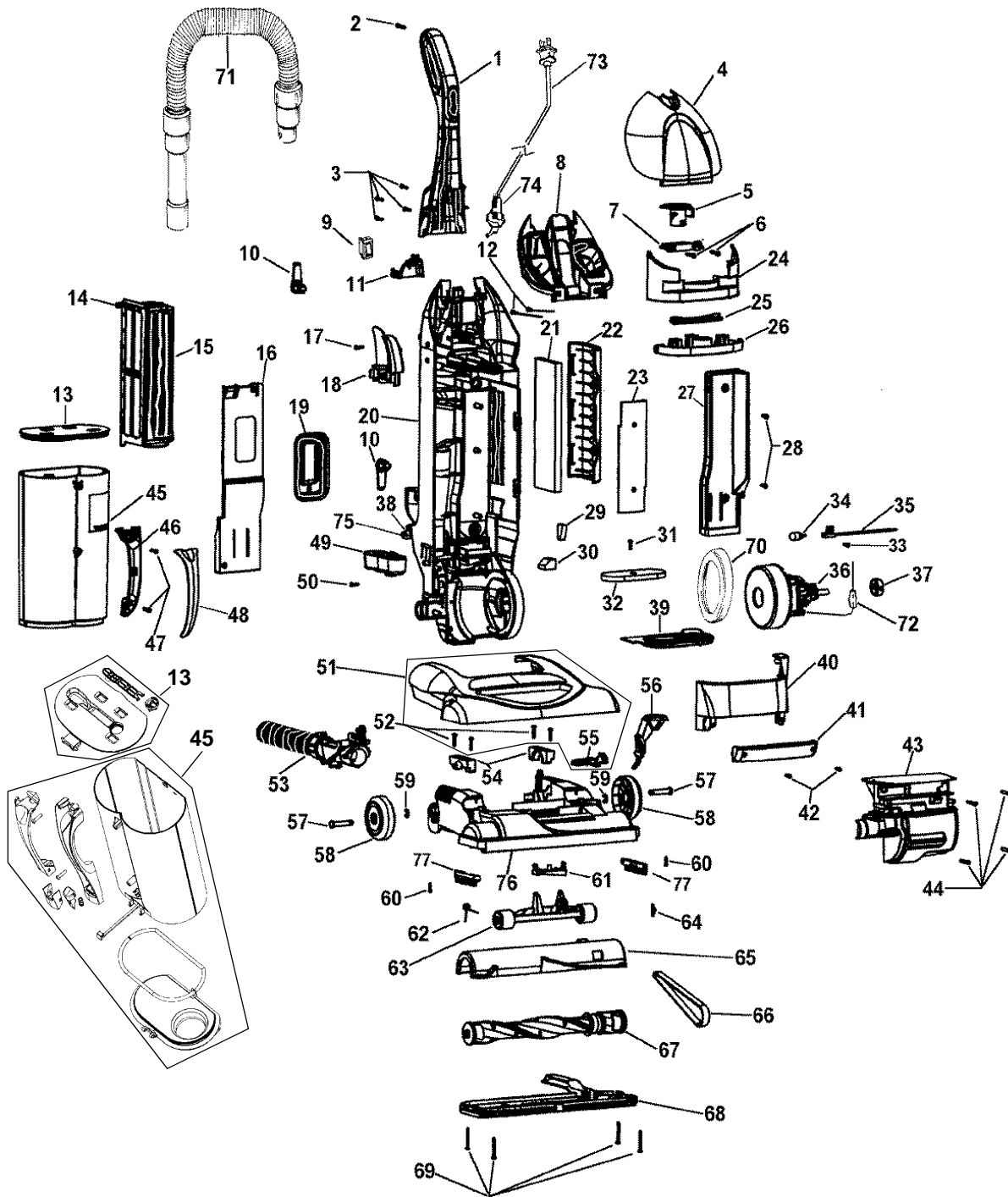
U5753-900
U5760-900
U5786-900
UH40115
UH40125



WINDTUNNEL™ BAGLESS

7

ASSEMBLY SCHEMATIC



MODEL No.

U5762-900
UH40020
UH40065
UH40145B
UH40265



WINDTUNNEL™ BAGLESS

7

PART LISTING / PRICE LIST

ITEM	PART NUMBER	MODELS TO FIT	PART DESCRIPTION	LIST COST
1	39466088	ALL	UPPER HANDLE ASSEMBLY - DARK CHARCOAL GRAY	9.06
2	21447236	ALL	SCREW	1.12
3	21447072	ALL	SCREW	.57
4	37257263	U5762900	TOOL DOOR WITH LOGO	9.06
	37257305	ALL	TOOL DOOR WITH LOGO	5.44
5	38562034	ALL	DIRT CUP LID LATCH - BLACK	1.12
6	21447242	ALL	SCREW - SELF TAPPING	1.12
7	36155013	ALL	DIRT CUP LID LATCH HOLDER - DARK CHARCOAL GRAY	1.12
8	36433149	U5762900	TOOL HOLDER	4.17
	36433146	ALL	TOOL HOLDER - DARK CHARCOAL GRAY	9.74
9	28161075	ALL	SWITCH - TWO BLACK LEADS	2.63
10	39442048	ALL	CORD WRAP - MAGNESIUM GRAY	1.14
11	36923004	ALL	SWITCH SUPPORT - DARK CHARCOAL GRAY	2.26
12	21447246	ALL	SCREW	1.12
13	37249042	U5762900	DIRT CUP LID - DARK CHARCOAL GRAY	6.20
	42249015	UH40020, UH40125, UH40145B, UH40265	DIRT CUP LID ASSEMBLY	4.06
14	36426068	U5762900	PRE-FILTER SUPPORT ASSEMBLY	10.12
	36426099	UH40020, UH40125, UH40145B, UH40265	PRE-FILTER SUPPORT ASSEMBLY	6.07
15	40140201	ALL	CARTRIDGE FILTER	16.00 NON DISC
16	37258121	ALL	WIRE CHANNEL COVER - DARK CHARCOAL GRAY	4.86
17	21447242	ALL	SCREW - SELF TAPPING	1.12
18	36433148	ALL	UPPER WAND/HOSE HOLDER - DARK CHARCOAL GRAY	3.16
19	38783027	ALL	DIRT CUP INLET SEAL - BLACK	4.53
20	42259027	ALL	BACK HOUSING ASSEMBLY - DARK CHARCOAL GRAY	40.24
	37255015	ALL	REAR MUFFLER COVER - DARK CHARCOAL GRAY	1.46
21	40110006	ALL	FINAL / EXHAUST FILTER - 2 PK	3.49 NON DISC
	38766030	ALL	FINAL / EXHAUST FILTER WITH SLIT - 1 EA	4.19
22	37257289	ALL	FINAL / EXHAUST FILTER DOOR - MIST GRAY TRANSPARENT	6.79
23		ALL	FOAM - MUFFLER FILTER	N.A.

MODEL No.

U5762-900
UH40020
UH40065
UH40145B
UH40265



WINDTUNNEL™ BAGLESS

7

PART LISTING / PRICE LIST

MODEL No.

U5762-900
UH40020
UH40065
UH40145B
UH40265

ITEM	PART NUMBER	MODELS TO FIT	PART DESCRIPTION	LIST COST
24	37258166	U5762900	DIRT CUP LATCH COVER SHROUD - PEWTER METALLIC	5.88
	38258215	UH40020, UH40265	DIRT CUP LATCH COVER SHROUD - BRONZE	PENDING
	37258218	UH40065	DIRT CUP LATCH COVER SHROUD - EASY BLUE	PENDING
	37258224	UH40145B	DIRT CUP LATCH COVER SHROUD - CRIMSON	PENDING
25	37258206	ALL	CAM SLOT CAP - SILVER	PENDING
26	38567062	ALL	DIRT CUP LATCH COVER	2.57
27	37259016	ALL	MUFFLER FILTER COVER - DARK CHARCOAL GRAY	4.86
28	21447242	ALL	SCREW - SELF TAPPING	1.12
29	34131009	ALL	WIRE CHANNEL FOAM	1.12
30	34131019	ALL	WIRE OPENING PLUG	1.12
31	21447242	ALL	SCREW - SELF TAPPING	1.12
32	38762008	ALL	SECONDARY / INLET FILTER	2.47
33	21447072	ALL	SCREW	.57
34	27313101	ALL	LAMP - LIGHT BULB	2.26
35	47173027	ALL	WIRING HARNESS	4.53
36	27212057	ALL	MOTOR ASSEMBLY COMPLETE	62.09
	49811079	ALL	LEAD WIRE - WHITE 12 AMP	1.12
37	36322030	ALL	MOTOR MOUNT - SMALL	1.12
38	21447242	ALL	SCREW - SELF TAPPING	1.12
39	43615088	ALL	SECONDARY / INLET FILTER RETAINER	4.53
40	37944023	U5762900	CIRCUIT BOARD COVER - SILVER QUARTZ	5.31
	37944037	UH40020, UH40265	CIRCUIT BOARD COVER - BRONZE	PENDING
	37944039	UH40065	CIRCUIT BOARD COVER - EASY BLUE	PENDING
	37944043	UH40145B	CIRCUIT BOARD COVER - RED	PENDING
41	39383107	ALL	LENS	2.59
42	21447228	ALL	SCREW - SELF TAPPING	.57
43	37196160	ALL	MOTOR COVER	9.06
44	21447230	ALL	SCREW - SELF TAPPING	1.12
45	42254195	ALL	COMPLETE DIRT CUP ASSEMBLY	42.77
46	39457018	U5762900	DIRT CUP HANDLE - INNER	3.39
		UH40020, UH40125, UH40145B, UH40265	DIRT CUP HANDLE - ORDER #45	



WINDTUNNEL™ BAGLESS

7

PART LISTING / PRICE LIST

ITEM	PART NUMBER	MODELS TO FIT	PART DESCRIPTION	LIST COST
47	21447043	ALL	SCREW - SELF TAPPING	.57
48	39457033	U5762900	DIRT CUP HANDLE COVER	4.86
		UH40020, UH40125, UH40145B, UH40265	DIRT CUP HANDLE COVER - ORDER #45	
49	36433147	ALL	LOWER WAND HOLDER - DARK CHARCOAL GRAY	1.69
50	21447242	ALL	SCREW - SELF TAPPING	1.12
51	37253390	U5762900	HOOD / NOZZLE COVER - BLACK	N.L.A.
	42252B78	UH40020, UH40265	HOOD / NOZZLE COVER - BRONZE	43.73
	42252B75	UH40065	HOOD / NOZZLE COVER - EASY BLUE	43.73
	42252B81	UH40145B	HOOD / NOZZLE COVER - CRIMSON	PENDING
52	21447072	ALL	SCREW	.57
53	43516010	ALL	LOWER HOSE / VALVE ASSEMBLY	13.60
54	36131094	ALL	TRUNNION COVER	1.12
55	40309004	ALL	HEIGHT ADJUSTMENT LEVER AND CAM	3.16
56	38458043	ALL	HANDLE RELEASE LEVER	2.26
57	32434007	ALL	REAR AXEL	1.12
58	38522077	U5762900	REAR WHEEL	2.26
	43247033	UH40020, UH40125, UH40145B, UH40265	REAR WHEEL ASSEMBLY	6.82
59	160017--	ALL	LOCK RING	.58
60	21447228	ALL	SCREW - SELF TAPPING	.57
61	40309004	ALL	HEIGHT ADJUSTMENT LEVER AND CAM	3.16
62	38355010	ALL	TORSION SPRING	1.12
63	43248064	ALL	FRONT WHEEL ASSEMBLY COMPLETE	9.06
64	013261AY	ALL	RIB SHOES	.57
65	40309026	ALL	BOTTOM PLATE DUCT AND NOZZLE GUARD	19.27
66	38528033	ALL	FLAT BELT	1.15 NON DISC
	40201160	ALL	FLAT BELT - 2 PACK	1.50 NON DISC
67	48414132	ALL	AGITATOR / BRUSH ROLL - 15" WOODEN	17.25
68	ORDER #65	ALL	BOTTOM PLATE DUCT AND NOZZLE GUARD	N.L.A.
69	21447121	ALL	SCREW	.57
70	36322037	ALL	MOTOR MOUNT - LARGE	2.59
71	43491087	ALL	HOSE ASSEMBLY	13.60
72	28382093	ALL	THERMAL PROTECTOR	7.58

MODEL No.

U5762-900
UH40020
UH40065
UH40145B
UH40265



WINDTUNNEL™ BAGLESS

7

PART LISTING / PRICE LIST

ITEM	PART NUMBER	MODELS TO FIT	PART DESCRIPTION	LIST COST
73	46383334	ALL	POWER CORD - 35'	15.87
74	36215028	ALL	CORD PROTECTOR	1.81
75	36171035	ALL	HOSE CLAMP	1.12
76	37242135	ALL	MAIN BODY / NOZZLE BASE	15.87
77	39511018	ALL	LITTER PICKER - BLACK	2.26
78	43486010	U5762900	DIRT DUCT TUBE	9.06
	43486019	UH40020, UH40125, UH40145B, UH40265	DIRT DUCT TUBE	PENDING
	38614044	U5762900	FURNITURE NOZZLE - GRAPHITE GRAY	5.66
	38614045	UH40020, UH40125, UH40145B, UH40265	FURNITURE NOZZLE - BLACK	3.39
	38617031	ALL	CREVICE TOOL - LONG GRAPHITE GRAY	5.66
	38617033	ALL	CREVICE TOOL - SHORT	3.39
	38634078	ALL	EXTENSION TUBE - BLACK	6.79
	43414197	ALL	DUSTING BRUSH ASSEMBLY - BLACK	2.68
	49129032	ALL	TURBINE HAND TOOL	14.62
	43434043	ALL	HOSE ASSEMBLY DELUXE - 20' EXTRA REACH	43.46
	59156137	UH40145B - ALL	BARE FLOOR BRUSH	12.46
	59132033	ALL	12" HARD FLOOR BRUSH - BLACK	22.67

MODEL No.

U5762-900
UH40020
UH40065
UH40145B
UH40265



WINDTUNNEL™ BAGLESS

7

NOTES

MODEL No.

U5753-900
U5760-900
U5762-900
U5786-900
UH40020
UH40065
UH40115
UH40125
UH40145B
UH40265

This document was created with Win2PDF available at <http://www.daneprairie.com>.
The unregistered version of Win2PDF is for evaluation or non-commercial use only.