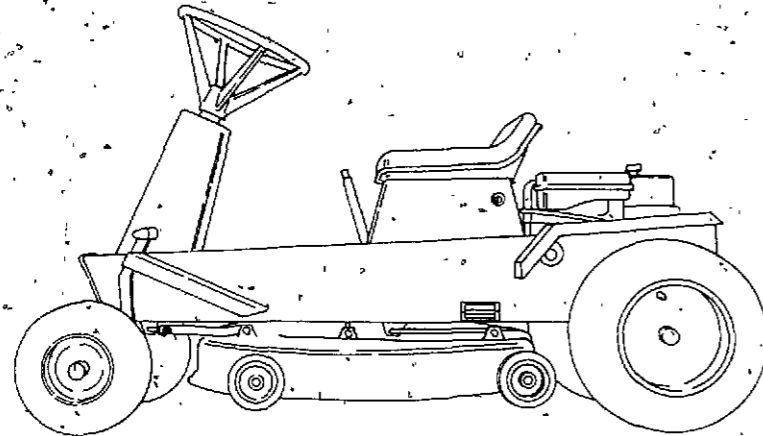


**RIDING LAWNMOWER
808
GRASS BAGGER
BG30
Parts Catalog 8-3130**

3-91-RP-500-257



MODEL 808

ALPHABETICAL INDEX

ENGINE AND ATTACHING PARTS

	Page	Grid
Air Cleaner	13	B2
Carburetor	11	A14
Control, Choke and Throttle	17	B6
Counterweight, Engine	15	B4
Engine Block	5	A8
Exhaust	11	A14
Flywheel and Stator	7	A10
Fuel Tank	13	B2
Governor	9	A12
Ignition and Charging	7	A10
Magneto	9	A12
Oil Drain and Fill	7	A10
Starter Motor	15	B4

BASIC RIDING LAWNMOWER

Axle, Front	27	C2
Axle, Rear	35	C10
Belt, Mower Drive	41	D2
Belt, Traction Drive	31	C6
Chain, Drive	35	C10
Clutch and Brake Linkage	31	C6
Control Tower	23	B12
Decals	21	B10
Electrical System	19	B8
Electrical System Hardware	17	B6
Frame	23	B12
Mower Deck	39	C14
Mower Drive Assembly	41	D2
Mower Drive Control	37	C12
Mower Height and Lift Control	37	C12
Seat	25	B14
Steering Assembly	27	C2
Transmission	33	C8
Travel Control	29	C4
Wheel, Front and Rear	25	B14

MODEL BG30 BAGGER ATTACHMENT

Entire Parts List	43	D4
-------------------------	----	----

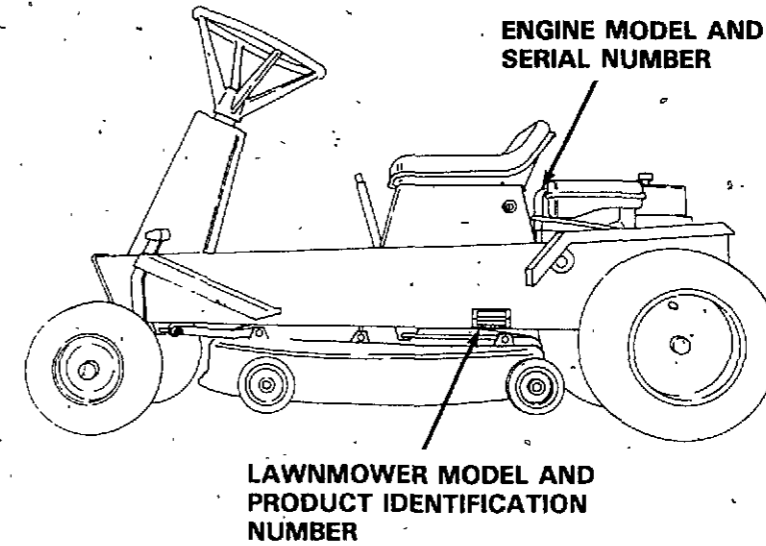
MODEL B93 REAR STAND KIT

Entire Parts List	43	D4
-------------------------	----	----

PAINT AND OIL

REF.	PART NO.	DESCRIPTION	REQ'D
PAINT			
1	C 28849	BLACK - semi-gloss, 12 oz spray (2 per carton)	1
2	C 28850	BLACK - semi-gloss, quart (2 per carton)	1
3	C 28851	BLACK - semi-gloss, heat resistant, 12 oz spray (2 per carton)	1
4	C 28484	POWER RED - gloss, 12 oz spray (2 per carton)	1
5	C 28485	POWER RED - gloss, quart (2 per carton)	1
6	C 30870	SILVER - gloss, 12 oz. spray (2 per carton)	1
7	C 31643	POWER RED - gloss, 1 oz touch up, (1 doz. per carton)	1
OIL			
1	C 32776	OIL - SAE 30, SF, quart (12 per case)	1
2	C 32777	OIL - SAE 5W20, SF, quart (12 per case)	1
3	C 32778	OIL - SAE 20W40, SF, quart (12 per case)	1

**PRODUCT IDENTIFICATION NUMBERS (PIN)
OR SERIAL NUMBERS (S/N)**



ENGINE IDENTIFICATION

LAWNMOWER MODEL NUMBER

ENGINE MODEL NUMBER

808

C33643
BRIGGS & STRATTON NO.
193707 - TYPE 4012

NOTE: This catalog contains references to serial numbers. Use these serial numbers as a guide to order the correct part.

GENERAL INFORMATION

INDEX

There is an index at the front and rear of this catalog:

The front index is an alphabetical index of the major groups or assemblies.

The rear index is a numerical index of the part numbers and pages on which these numbers are shown.

ILLUSTRATION

Each illustration in this catalog shows a group of parts or components. These parts and components are aligned approximately as the parts and components on your machine. Each part and component in an illustration has a reference number. These reference numbers are in a list on the page opposite of the illustration. Next to the reference number is the part number, description and required quantity of the part shown in the illustration.

UAR - "Use as required" indicates that the part quantity is variable.

NSS - "Not sold separately" indicates that the part is only available as a component of an assembly or the part must be purchased locally. If the part is an assembly component, the description will be indented under the assembly description in the parts list.

O/L - "Obtain locally"

** - "Footnotes" are added to a part number when more information is needed for identification. They only relate to the part numbers indicated.

PARTS ORDERS

All orders must include the following information:

1. Correct part number.
2. Complete description of part or component.
3. Total quantity of each part or component.
4. Product model number.
5. All necessary product identification numbers.
6. Method for sending the parts.
7. Complete and correct address.

CATALOG REVISIONS

As the product changes, new pages will be available for your catalog. A notice will be issued.

IMPORTANT: Put all revisions into the catalog as soon as possible.

RIGHT HAND AND LEFT HAND IDENTIFICATION

The words right hand (RH) and left hand (LH) as used in this catalog indicate the direction while you are in the operator's seat in the normal operating position.

INDENTED DESCRIPTIONS

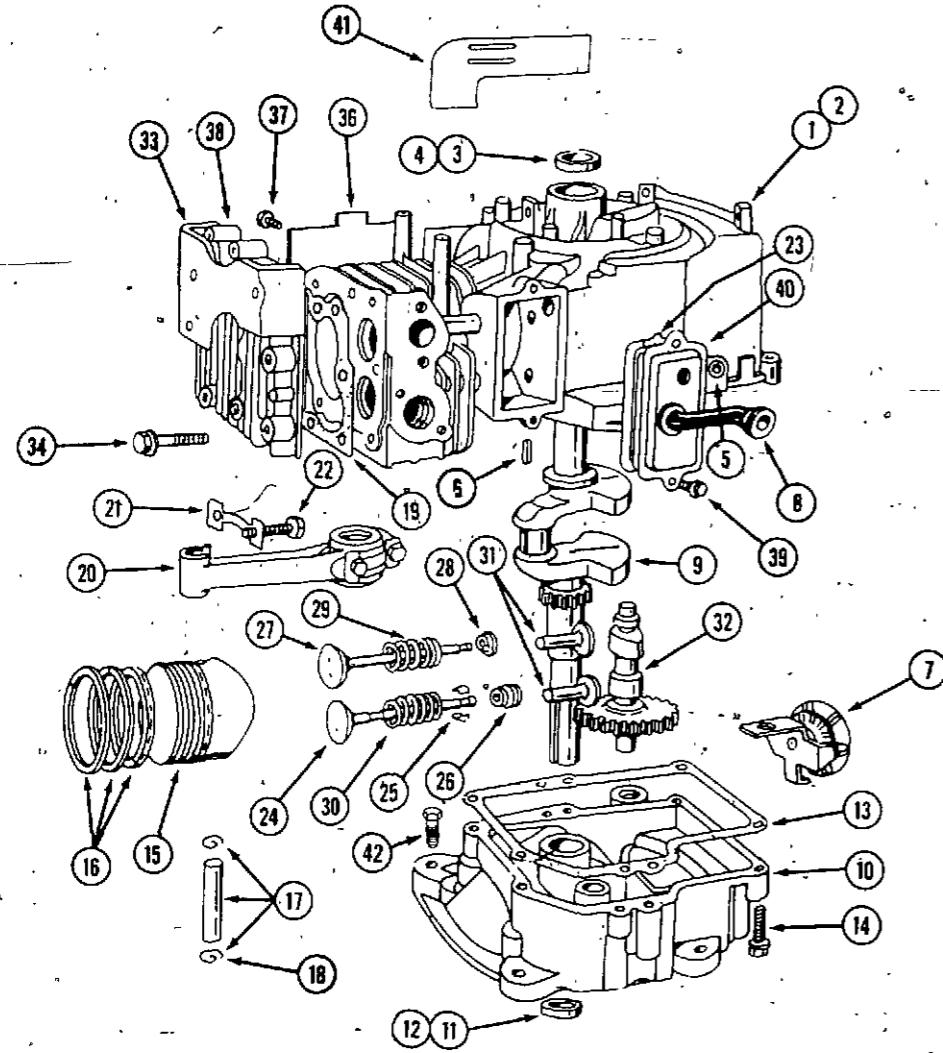
An assembly can have many components. The components of an assembly are indicated by an indented description. The quantity for an indented part is the total needed for that complete assembly. See the example.

REF.	PART NO.	DESCRIPTION	REQ'D
	C 55159	CYLINDER ASSY - rear steering	1
28	C 56208	SOCKET ASSY - rear cylinder	1
29	C 55956	PLUG - adjusting, socket assy	1
30	C 55957	SEAT - socket ball	2
31	C 56210	SPRING - socket	1
32	C 56209	SEAT - socket spring	1
33	G 45175	CLAMP ASSY - socket assy	1
	16- 836	BOLT - 1/2" x 2-1/4" N.F. hex	1
34	132- 104	PIN - cotter, 3/16" x 3"	1
35	C 55889	STUD - ball, socket & cylinder	2
36	13- 410	BOLT - 1/4" x 5/8" N.C., hex	4
37	92- 4	LOCK WASHER - 1/4" SAE	4

INGERSOLL

Ingersoll Equipment Co., Inc.

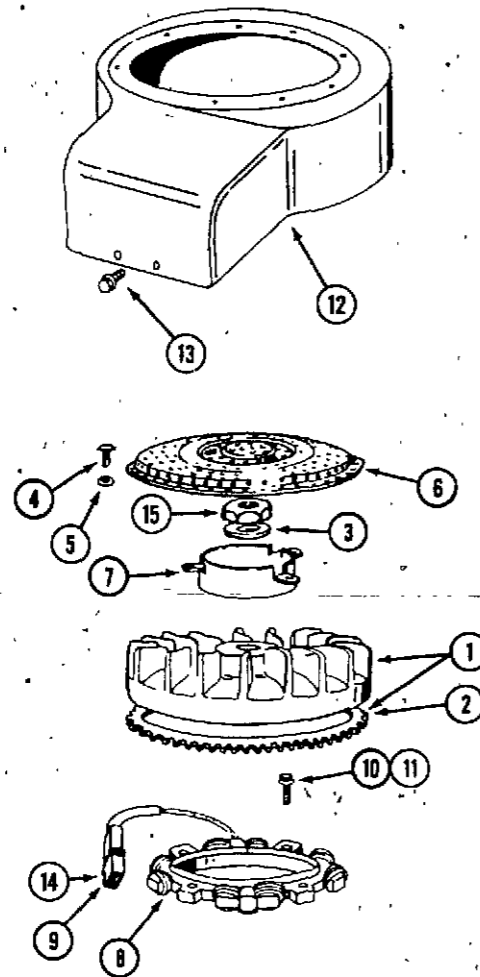
ENGINE BLOCK ASSEMBLY
(For Complete Engine See Page 1)



REF.	PART NO.	DESCRIPTION	REQ'D
1	C 29927	BLOCK ASSEMBLY - short	1
2	NSS	BLOCK - cylinder, stripped	1
3	C 29814	BUSHING - cylinder	1
4	BR 294606	SEAL - oil	1
5	BR 231055	BUSHING - governor shaft	1
6	C 27236	KEY - flywheel	1
7	BR 392718	BRACKET ASSEMBLY - governor gear & oil slinger	1
8	BR 280005	TUBE - breather	1
9	C 29775	CRANKSHAFT	1
10	BR 392548	OIL PAN ASSEMBLY	1
11	BR 295963	BUSHING - oil pan	1
12	C 25709	SEAL - oil	1
13	BR 27750	GASKET - oil pan 1/64" (0.40 mm)	1
13	BR 27876	GASKET - oil pan .005" (0.13 mm)	1
13	BR 27877	GASKET - oil pan .009" (.023 mm)	1
14	NSS	SCREW - oil pan mtg. (use 113-120 and 192-20)	4
15	C 30397	PISTON ASSEMBLY - standard	1
15	C 30398	PISTON ASSEMBLY - .010" (.025 mm) oversize (includes rings)	1
15	C 30399	PISTON ASSEMBLY - .020" (0.51 mm) oversize (includes rings)	1
15	C 30400	PISTON ASSEMBLY - .030" (0.76 mm) oversize (includes rings)	1
16	C 29776	RING SET - standard	1
16	C 30401	RING SET - .010" (0.25 mm) oversize	1
16	C 30402	RING SET - .020" (0.51 mm) oversize	1
16	C 30403	RING SET - .030" (0.76 mm) oversize	1
17	BR 295840	PIN ASSEMBLY - piston standard (includes locks)	1
17	BR 295841	PIN ASSEMBLY - piston, .005" (0.13 mm) oversize (includes locks)	1
18	BR 68546	LOCK - piston pin	1
19	BR 270430	GASKET - cylinder head	1
20	BR 390402	CONNECTING ROD ASSEMBLY	1
21	BR 222114	LOCK - connecting rod bolt	1
22	BR 92659	BOLT - connecting rod	2
23	C 27350	GASKET - valve cover	1
24	C 30404	VALVE - exhaust	1
25	BR 93630	LOCK - exhaust valve	2
26	BR 292260	ROTATOR - exhaust valve	1
27	BR 261055	VALVE - intake	1
28	BR 221596	KEEPER - intake valve	1
29	BR 65906	SPRING - intake valve	1
30	BR 26828	SPRING - exhaust valve	1
31	BR 260933	TAPPET - valve	2
32	BR 211689	CAMSHAFT	1
33	BR 222636	BAFFLE - cylinder head	1
34	BR 93723	BOLT - cylinder head, 3"	UAR
34	BR 93211	BOLT - cylinder head, 2-21/32"	UAR
36	BR 222830	BAFFLE - cylinder	1
37	NSS	SCREW - baffle mtg. (use 163-18 and 192-18)	1
38	BR 212286	HEAD - cylinder	1
39	187- 1508	SCREW - sems	2
40	BR 391406	BREATHING - crankcase	1
41	BR 221760	GUIDE - air	1
	BR 299577	GASKET SET - includes items 13, 19, 23 and carburetor mounting gasket	1
42	C 33644	BOLT - 3/8" - 16 x 1-1/4 self-tapping	4

MODEL 808 RIDING LAWNMOWER

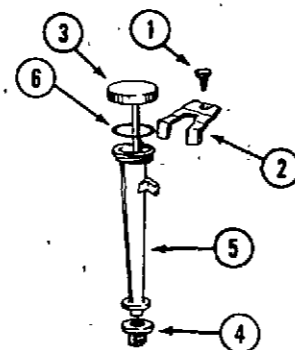
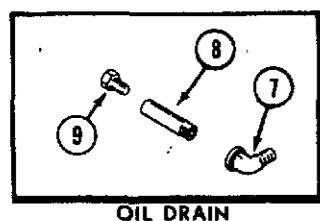
FLYWHEEL AND STATOR



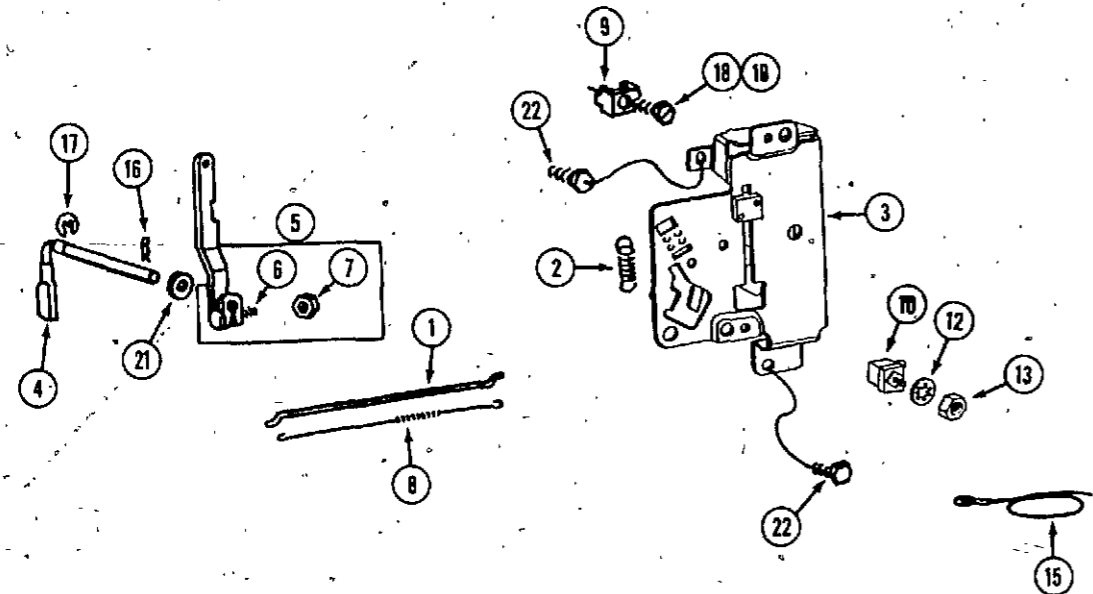
REF.	PART NO.	DESCRIPTION	REQ'D
1	BR 391983	FLYWHEEL ASSEMBLY	1
2	BR 392134	RING GEAR	1
3	BR 220865	WASHER - spring	1
4	182- 84	SCREW - No. 8-32 x 3/8"	3
5	193- 25	LOCKWASHER - No. 8	3
6	BR 222562	SCREEN - flywheel	1
7	BR 222561	CUP - screen mounting	1
8	C 29867	STATOR - alternator	1
9	C 29865	DIODE AND CONNECTOR ASSEMBLY	1
10	182- 90	SCREW - No. 8-32 x 1"	4
11	195- 10	WASHER - No. 8	4
12	BR 391379	HOUSING - blower	1
13	NSS	BOLT - retaining (use 22-48 and 92-4)	4
14	C 29866	CONNECTOR - harness	1
15	BR 92284	NUT - flywheel	1

OIL DRAIN AND FILL

1	187- 1037	SCREW - clamp mounting	1
2	BR 222502	CLAMP - oil filler tube	1
3	BR 391840	DIPSTICK - oil	1
4	BR 68838	SEAL - filler tube	1
5	BR 280133	TUBE - oil filler	1
6	BR 270920	SEAL - filler cap	1
7	217- 1016	ELBOW - 90° street	1
8	C 33757	NIPPLE - pipe	1
9	218- 5154	PLUG - oil drain	1

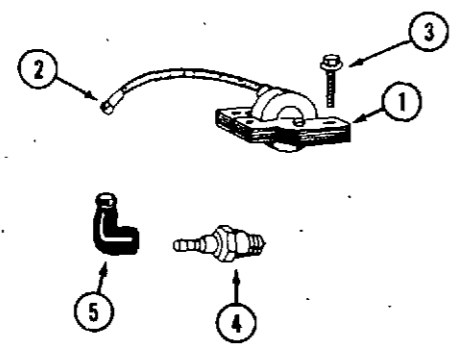


GOVERNOR



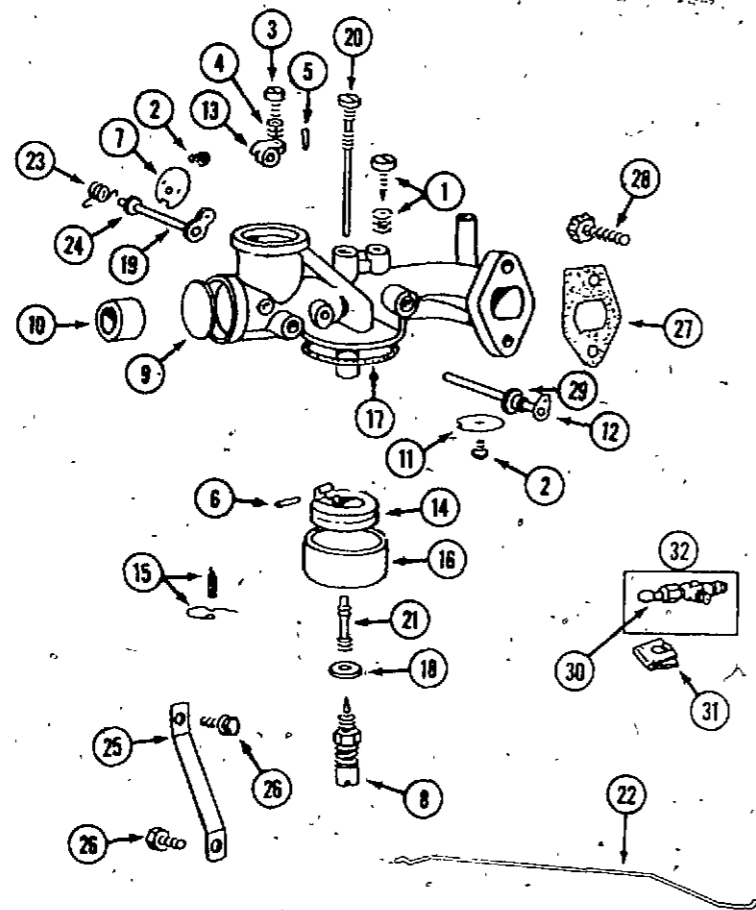
REF.	PART-NO.	DESCRIPTION	REQ'D
1	C 27242	LINK - governor	1
2	BR 261306	SPRING - governor	1
3	C 29795	BRACKET - governor	1
4	BR 231058	CRANK - governor	1
5	BR 391733	LEVER ASSEMBLY	1
6	11- 312	BOLT - lever	1
7	129- 7	NUT - No. 10-24	1
8	C 27241	SPRING - governor link	1
9	BR 221535	CLAMP - casing	1
10	C 29794	INSULATOR ASSEMBLY	1
11	193- 25	LOCKWASHER	1
12	129- 6	NUT - No. 8-32	2
13	C 29796	WIRE - ground	2
14	136- 103	PIN - cotter hair pin	1
15	C 28643	RETAINER - "E" ring	1
16	163- 4	SCREW	1
17	92- 18	WASHER	1
18	BR 222450	WASHER - governor crank	1
19	BR 93804	SCREW - mounting	1

MAGNETO ARMATURE

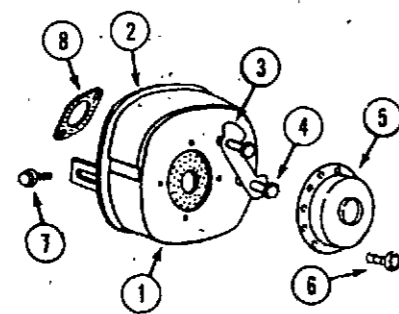


1	C 29785	ARMATURE - magneto	1
2	BR 221798	TERMINAL - ignition cable	1
3	NSS	SCREW - mounting (use 182-549 and 195-10)	2
4	C 24329	SPARK PLUG - resistor	1
5	BR 66538	BOOT - spark plug	1

CARBURETOR



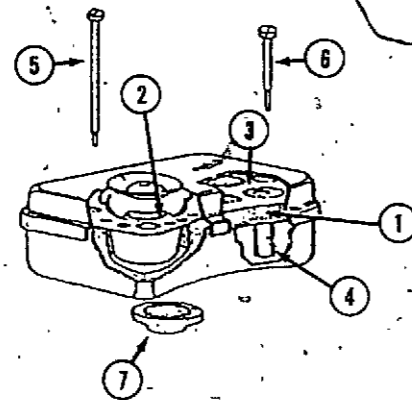
REF.	PART NO.	DESCRIPTION	REQ'D
	C 33323	CARBURETOR	1
1	BR 292681	VALVE - idle (includes spring)	1
2	BR 93499	SCREW - throttle and choke valve mounting	3
3	182- 87	SCREW - No. 8-32 x 5/8"	1
4	BR 26157	SPRING - throttle adjustment	1
5	138- 251	PIN - throttle stop	1
6	BR 230896	PIN - float hinge	1
7	BR 222010	VALVE - choke	1
8	C 29779	VALVE - needle	1
9	41- 24	PLUG - welch	1
10	BR 211682	VENTURI	1
11	BR 221986	VALVE - throttle	1
12	C 30453	SHAFT AND LEVER - throttle	1
13	BR 211712	STOP - throttle	1
14	BR 299707	FLOAT - fuel	1
15	C 27254	VALVE - fuel inlet	1
16	BR 221995	BOWL - float	1
17	BR 270511	GASKET - float bowl	1
18	BR 222014	WASHER - float bowl	1
19	BR 390684	SHAFT AND LEVER - choke	1
20	BR 299740	NOZZLE - fuel	1
21	C 29780	SCREW - nozzle	1
22	C 27243	LINK - choke	1
23	BR 261116	SPRING - choke return	1
24	BR 270382	WASHER - choke shaft	1
25	BR 222027	BRACKET - mounting	1
26	187- 1510	SCREW - mounting	2
27	BR 270824	GASKET - carburetor mounting	1
28	BR 93357	SCREW - mounting	2
29	C 30405	SEAL - throttle shaft	1
30	C 27267	VALVE - fuel shut off	1
31	C 27266	HANDLE - fuel shut off	1
32	C 30427	CONNECTOR fuel pipe	1
	C 27255	KIT - carburetor overhaul (includes 1, 6, 8, 9, 15, 17, 18, 20, and 21)	1



EXHAUST SYSTEM

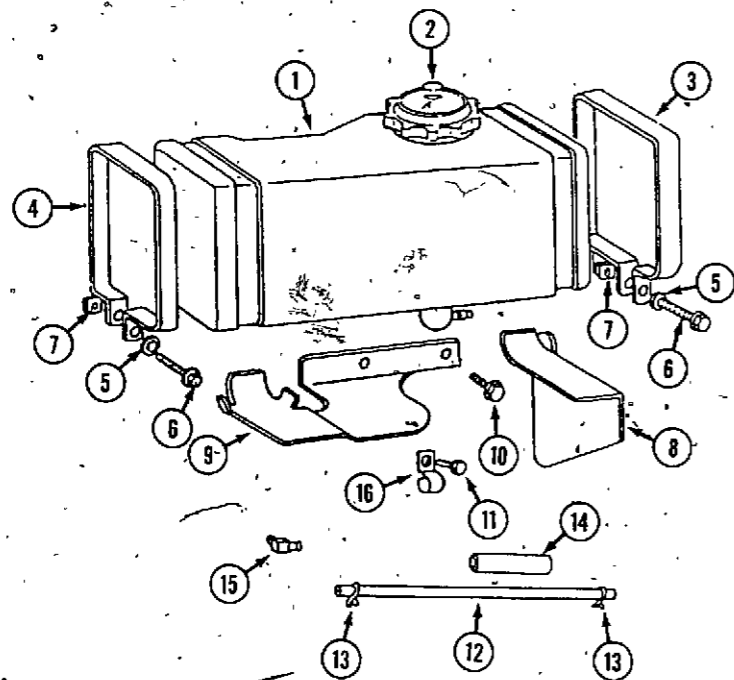
1	BR 391313	MUFFLER - exhaust	1
2	BR 221885	SHIELD - heat	1
3	BR 222263	LOCK - bolt	1
4	C 27237	BOLT - muffler	2
5	C 29258	DEFLECTOR - exhaust	1
6	187- 1041	SCREW - special	4
7	NSS	SCREW - (use 22-412 and 195-18)	1
8	C 24340	GASKET - exhaust	1

AIR CLEANER

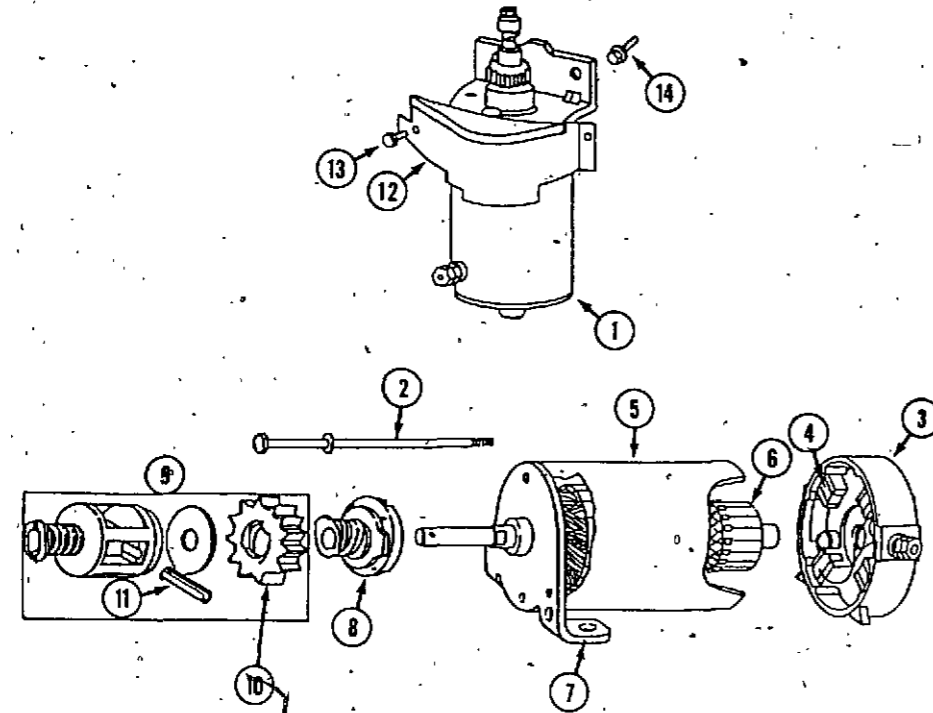


REF.	PART NO.	DESCRIPTION	REQ'D
	BR 390379	AIR CLEANER ASSEMBLY	1
1	BR 270528	ELEMENT - air cleaner	1
2	C 26358	CUP - air cleaner	1
3	C 29782	SCREEN - air cleaner	1
4	C 29781	SPACER - air cleaner	1
5	BR 93622	SCREW - air cleaner (long)	1
6	BR 93323	SCREW - air cleaner (short)	1
7	BR 270539	GASKET - air cleaner	1

FUEL TANK



1	C 34161	TANK - fuel	1
2	C 34160	CAP - fuel tank	1
3	C 34164	STRAP ASSEMBLY - fuel tank R.H.	1
4	C 34165	STRAP ASSEMBLY - fuel tank L.H.	1
5	192- 19	LOCKWASHER - 1/4"	1
6	173- 215	SCREW - 1/4"	1
7	129- 504	NUT - square 1/4" - 20	1
8	C 34162	BRACKET - fuel tank R.H.	1
9	C 34163	BRACKET - fuel tank L.H.	1
10	BR 93535	BOLT	2
11	BR 93804	BOLT	1
12	NSS	HOSE - fuel (use C28937 cut to length)	1
13	214- 251	CLAMP - hose	2
14	C 34166	SHIELD - heat, fuel hose	1
15	C 10678	CONNECTOR - hose 90°	1
16	C 24689	CLIP - hose	2

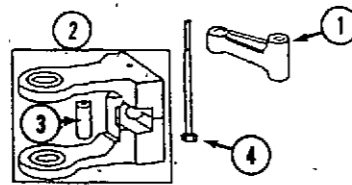


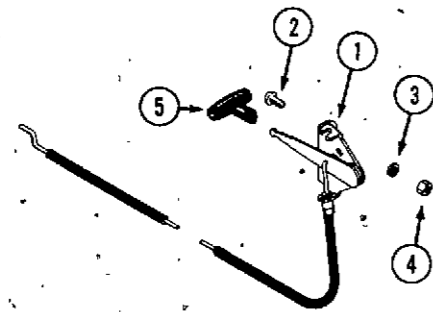
STARTER

REF.	PART NO.	DESCRIPTION	REQ'D
1	C 27264	STARTER ASSEMBLY	1
2	C 27260	BOLT - thru	2
3	C 27258	END CAP - commutator	1
4	C 27259	BRUSH ASSEMBLY	4
5	C 27263	HOUSING - starter	1
6	BR 390837	ARMATURE	1
7	C 30444	END CAP - drive	1
8	C 30406	CLUTCH - drive	1
9	C 27424	RETAINER KIT - drive	1
10	C 27422	GEAR - starter	1
11	138- 75	PIN - roll	1
12	C 27256	COVER - starter	1
13	187- 1328	SCREW	2
14	NSS	SCREW - mounting (use 113-102 and 92-5)	2

ENGINE COUNTERWEIGHT

1	C 29816	LINK - counterweight	1
2	C 29817	COUNTERWEIGHT ASSEMBLY	1
3	C 29818	PIN - counterweight	1
4	C 29819	BOLT - counterweight	1



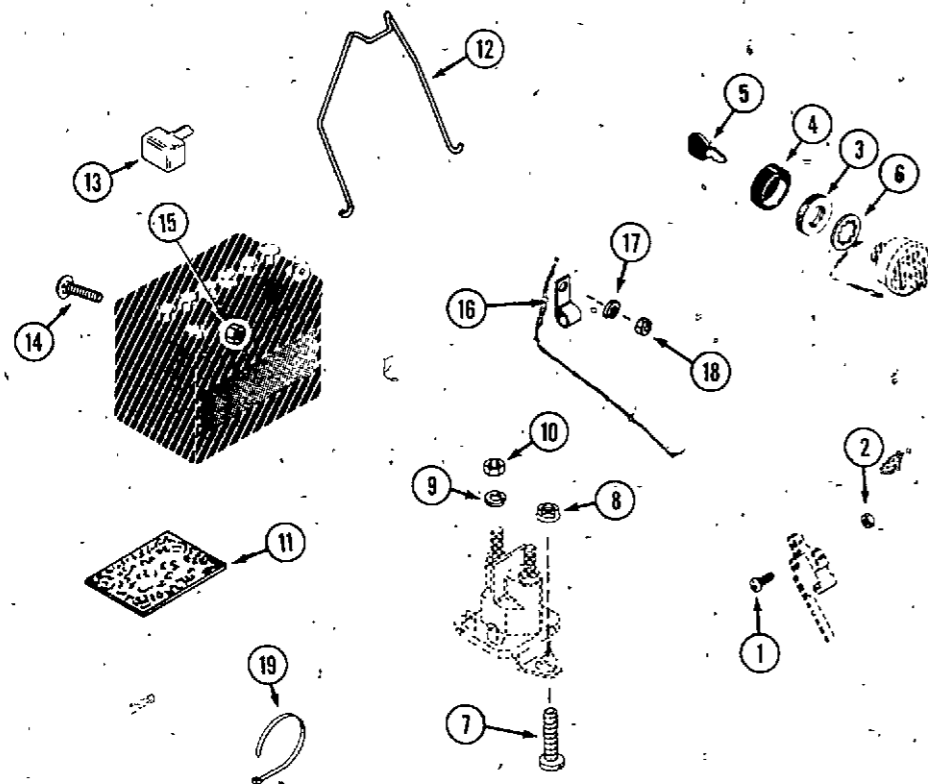


CHOKE AND THROTTLE CONTROL

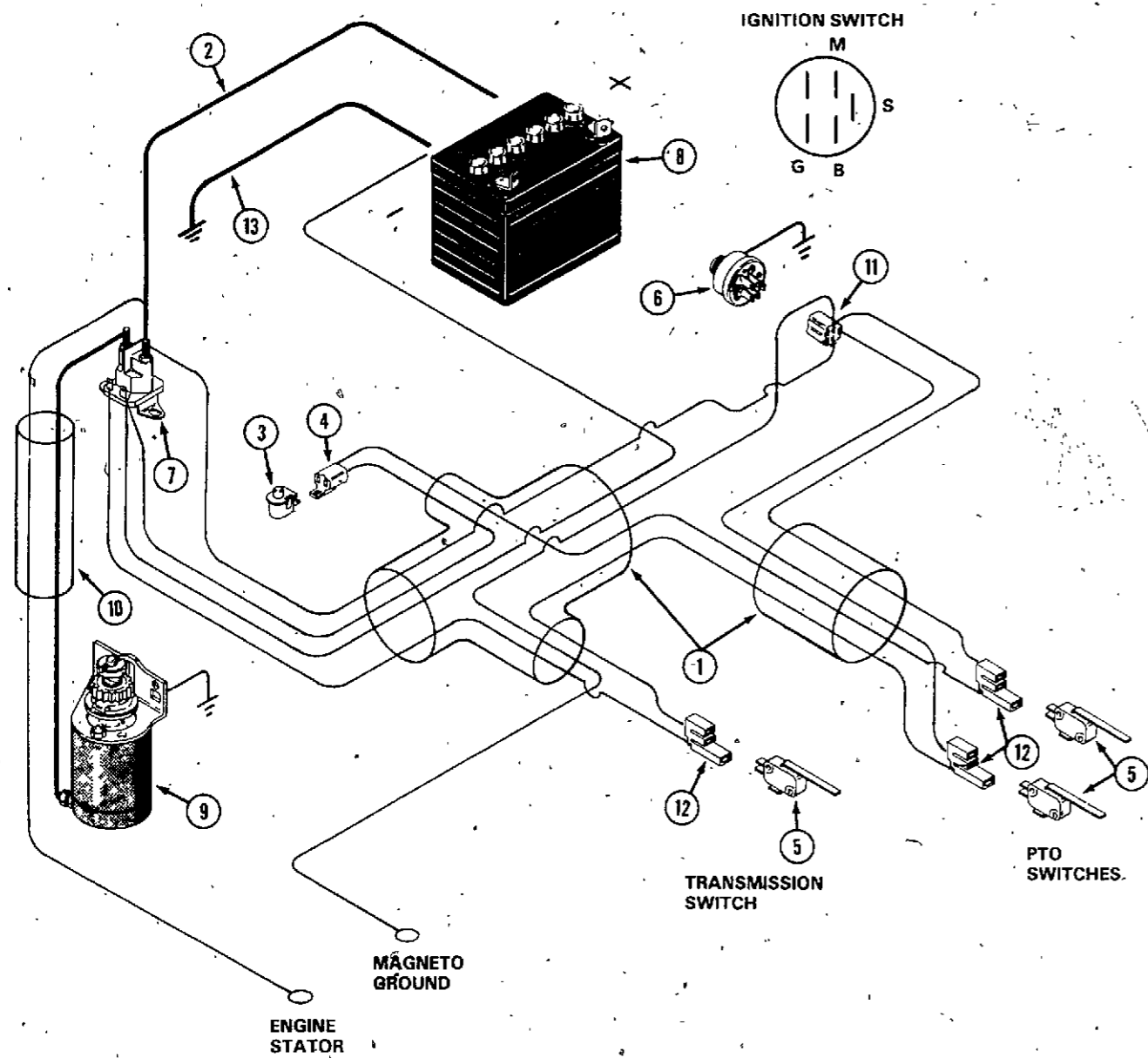
REF.	PART NO.	DESCRIPTION	REQ'D
1	C 33647	CONTROL - choke/throttle	1
2	182- 559	SCREW - No. 10 - 24 x 3/4"	2
3	192- 18	LOCKWASHER - No. 10	2
4	129- 17	NUT - No. 10 - 24	2
5	C 15540	HANDLE - control	1

ELECTRICAL SYSTEM HARDWARE

1	182- 10	SCREW - No. 4 - 40 x 7/8"	2
1	C 33696	SCREW - No. 4 - 40 x 1-1/8"	2
2	C 33697	NUT - No. 4 - 40	4
3	C 32396	NUT - 5/8" - 32	1
4	C 32397	CAP - nut	1
5	C 32407	KEY - ignition	1
6	C 23248	LOCKWASHER - 5/8" internal tooth	1
7	C 31597	SCREW - 1/4" - 20 x 1/2"	2
8	131- 934	NUT - 1/4" - 20 flange lock	2
9	192- 19	LOCKWASHER - 1/4"	2
10	129- 101	NUT - 1/4" - 20	2
11	C 24428	CUSHION - battery	2
12	C 16239	STRAP - battery hold down	1
13	C 24069	COVER - battery terminal	1
14	111- 132	BOLT - 5/16" - 18 x 3/4" carriage	2
15	129- 102	NUT - 5/16" - 18	2
16	C 32455	CLIP - "J"	1
17	192- 20	LOCKWASHER - 5/16"	1
18	129- 102	NUT - 5/16" - 18	1
19	C 22947	TIE - nylon	1



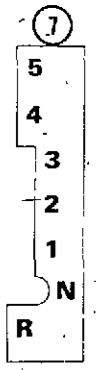
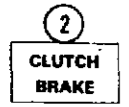
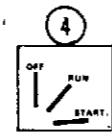
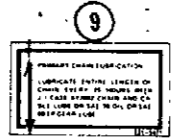
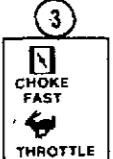
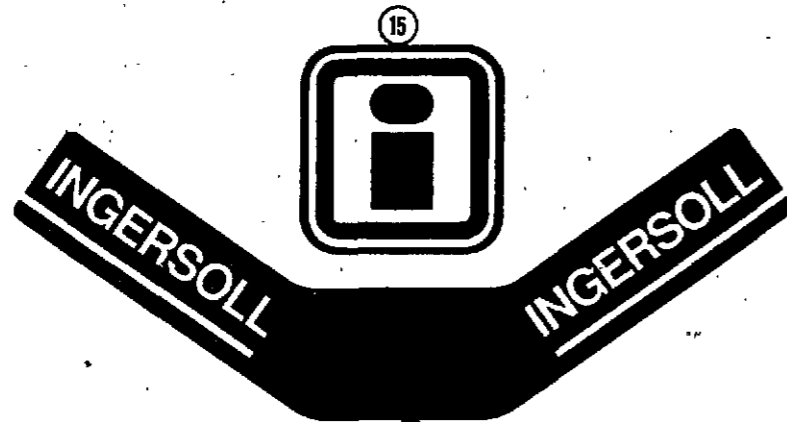
ELECTRICAL SYSTEM



1	C	33692	HARNESS - wire	1
2	C	33694	CABLE - battery positive to solenoid	1
3	C	33744	SWITCH - seat	1
4	C	30937	CONNECTOR - switch	1
5	C	30275	SWITCH - interlock	3
6	C	30267	SWITCH - ignition (includes key and hardware)	1
7	C	33024	SOLENOID - 12 volt	1
8	C	31213	BATTERY - 12 volt, 32 amp, 230 CCA	1
9	C	27264	STARTER - 12 volt (repairs page 15)	1
10	C	33693	HARNESS - wire	1
11	C	24460	CONNECTOR - ignition switch	1
12	C	30279	CONNECTOR - interlock switch	3
13	C	33695	CABLE - battery negative	1

DECALS

REF.	PART NO.	DESCRIPTION	REQ'D
1	C 33701	DECAL - operation	1
2	C 33585	DECAL - clutch/brake	1
3	C 33581	DECAL - throttle	1
4	C 33582	DECAL - ignition switch	1
5	C 33586	DECAL - attachment drive	1
6	C 33587	DECAL - mower height adjust	1
7	C 33583	DECAL - shift pattern	1
8	C 33584	DECAL - travel control	1
9	C 26936	DECAL - chain lubrication	1
10	C 31087	DECAL - "Danger" spinning blade	1
11	C 12519	DECAL - "No Step"	1
12	C 31086	DECAL - "Danger" flying debris	1
13	C 33822	DECAL - tower	1
14	C 33823	DECAL - side R.H. (shown)	1
14	G 33824	DECAL - side L.H.	1
15	C 30539	MEDALLION - logo	1



CAUTION

READ OPERATOR'S MANUAL. KEEP ALL SHIELDS AND SAFETY SWITCHES FUNCTIONAL. KNOW LOCATION AND FUNCTION OF ALL CONTROLS. REMOVE OBJECTS FROM THE TERRAIN THAT COULD BE THROWN BY THE MOWER. NEVER CARRY PASSENGERS. KEEP PEOPLE AND PETS A SAFE DISTANCE AWAY.

ALWAYS LOOK BEHIND RIDER BEFORE BACKING. TIP OVER CAN OCCUR WHEN OPERATING ON LOADING RAMPS OR HILLS; BACK UP RAMPS OR HILLS DRIVE FORWARD GOING DOWN RAMPS OR HILLS. TO PARK RIDER: PLACE TRAVEL CONTROL IN NEUTRAL, ENGAGE PARKING BRAKE, DISENGAGE MOWER DRIVE, SHUT ENGINE OFF AND REMOVE KEY. PARK RIDER AND WAIT FOR ALL MOTION TO STOP BEFORE SERVICING OR MAKING ADJUSTMENTS TO RIDER OR MOWER. REMOVE KEY WHEN LEAVING RIDER.

FAILURE TO OBSERVE THESE PRECAUTIONS COULD RESULT IN INJURY.

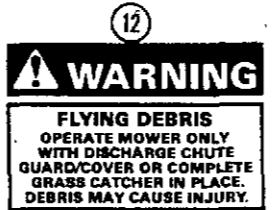
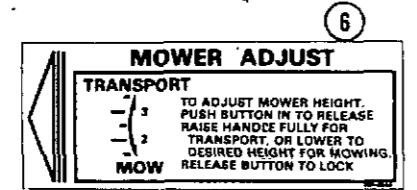
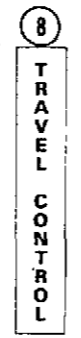
OPERATION INSTRUCTIONS

REFER TO OPERATOR'S MANUAL FOR COMPLETE INSTRUCTIONS

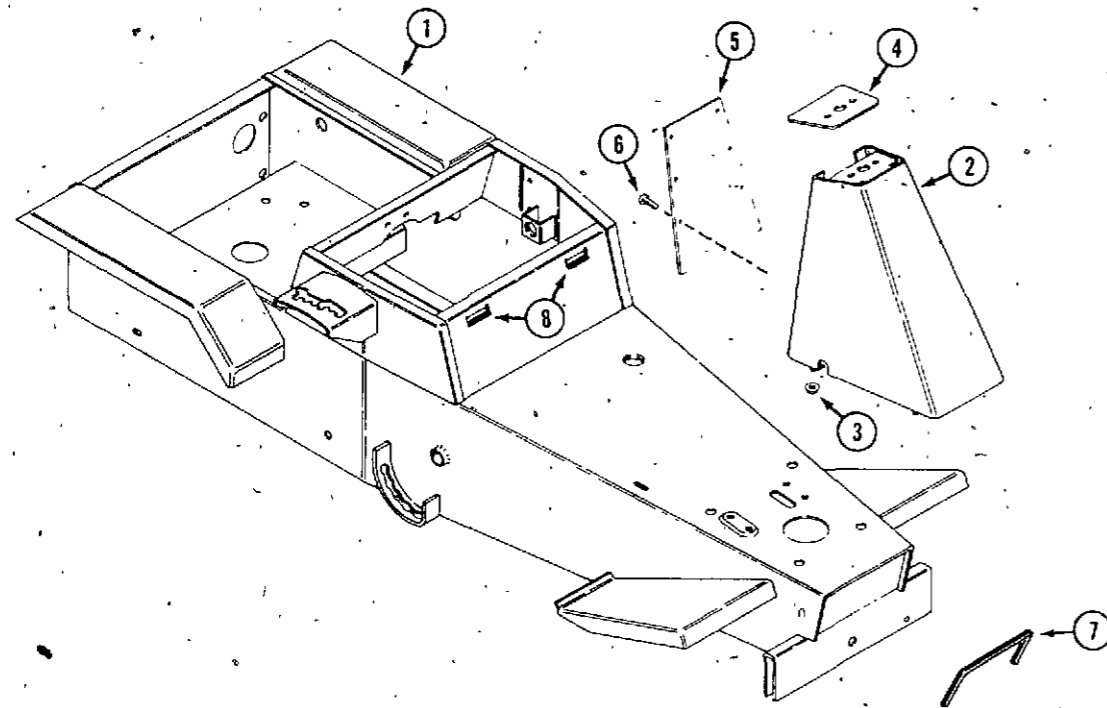
TRAVEL CONTROL - NEUTRAL - LEVER SLIDES OUTWARD INTO "N" NOTCH
 FORWARD - PULL LEVER INWARD, MOVE FORWARD
 REVERSE - PULL LEVER INWARD, MOVE REARWARD

CLUTCH/BRAKE - TO DECLUTCH - DEPRESS PEDAL HALFWAY. TO BRAKE - DEPRESS PEDAL FULLY.
 PARKING BRAKE - TO ENGAGE - APPLY BRAKE AND PRESS LOCK DOWN. TO RELEASE - DEPRESS PEDAL.
 MOWER DRIVE - TO ENGAGE - PUSH FORWARD. TO DISENGAGE - PULL REARWARD.
 TO START ENGINE - DISENGAGE MOWER DRIVE AND SET PARKING BRAKE.

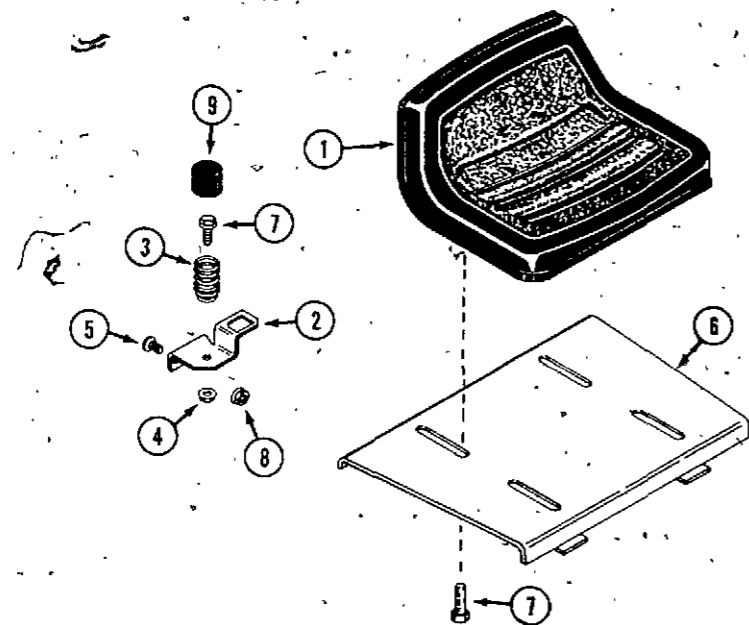
PRESS DOWN, LOCK TO LOCK **P** PARKING BRAKE



FRAME AND CONTROL TOWER



REF.	PART NO.	DESCRIPTION	REQ'D
1	C 33592	FRAME - main	1
2	C 33638	TOWER - control	1
3	131- 934	NUT - 1/4" - 20 flange lock	4
4	C 33641	PLATE - crown	1
5	C 33642	PANEL - tower	1
6	187- 1334	SCREW - No. 8 - 18 x 1/2"	6
7	C 29146	TRIM - channel and seat support	2
8	C 29147	TRIM - channel	2



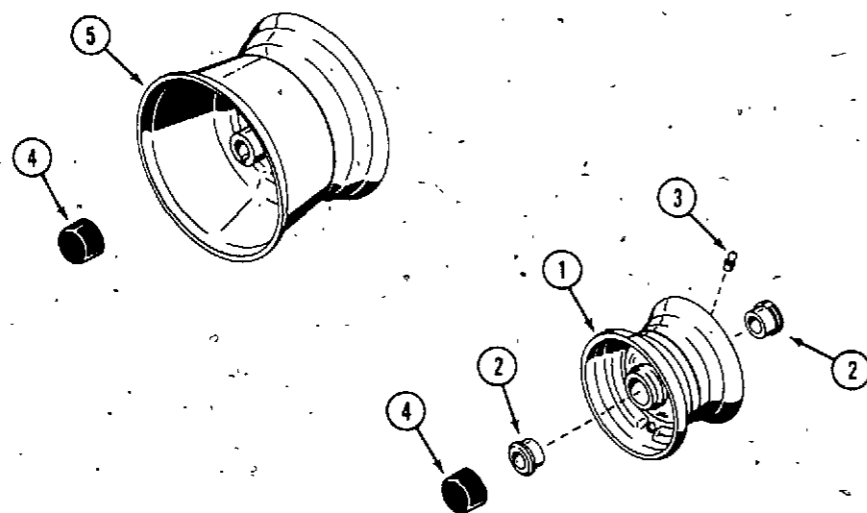
SEAT AND SUPPORT

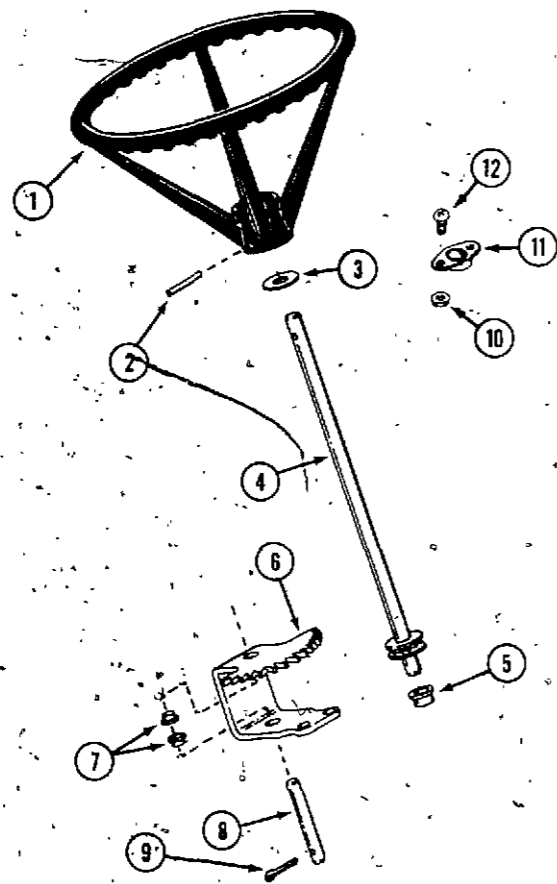
REF.	PART NO.	DESCRIPTION	REQ'D
1	C 30064	SEAT - black	1
2	C 33682	BRACKET - spring mounting	1
3	C 33683	SPRING - seat switch	1
4	131- 911	NUT - 5/16" - 18 flange lock	1
5	C 31597	SCREW - 1/4" - 20 x 1/2"	2
6	C 33679	SUPPORT - seat	1
7	C 29620	BOLT - 5/16" - 18-x 3/4" self-tapping	5
8	131- 934	NUT - 1/4" - 20 flange lock	2
9	C 26526	CAP - dust	1

FRONT AND REAR WHEELS

1	C 30908	WHEEL - front assembly	2
2	C 24503	BUSHING - wheel	2
3	219- 10	FITTING - lube 1/4" - 28 taper	1
4	C 26526	CAP - hub, plastic	4
5	C 30910	WHEEL - rear	2

NOTE: Obtain tires at your local tire dealer.



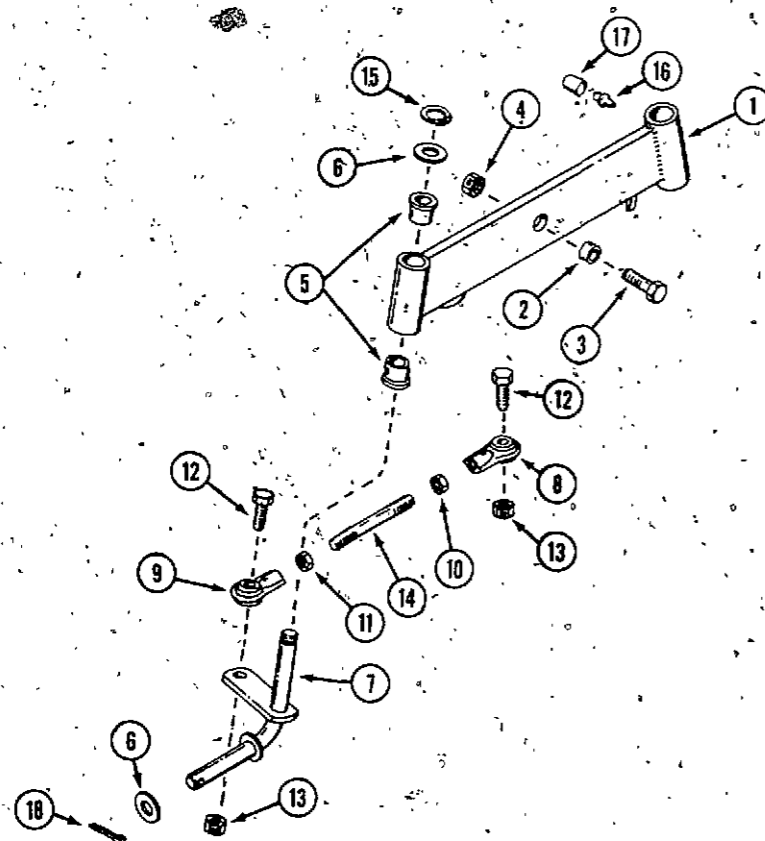


STEERING ASSEMBLY

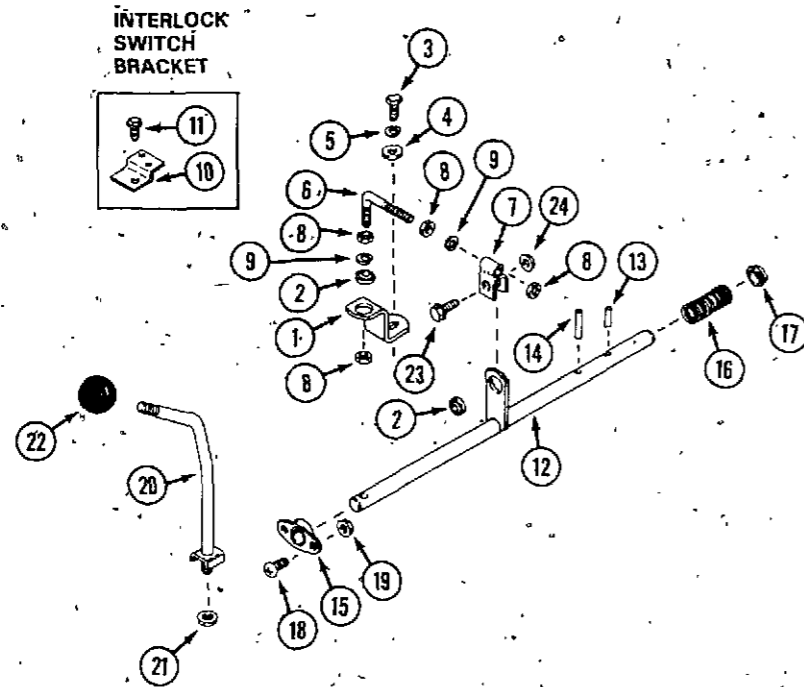
REF.	PART NO.	DESCRIPTION	REQ'D
1	C 24100	WHEEL - steering	1
2	138- 143	PIN - steering wheel to shaft 1/4" x 2"	1
3	C 33741	WASHER - 5/8" nylon	4
4	C 33613	SHAFT - steering	1
5	C 27501	BUSHING - flange, bronze	1
6	C 24179	GEAR - sector, steering	1
7	C 24182	BUSHING - flange, bronze	2
8	C 24200	PIN - pivot, sector gear (service part)	1
9	132- 49	PIN - cotter 1/8" x 1-1/8"	1
10	131- 934	NUT - 1/4" - 20 flange lock	2
11	C 23602	BEARING	1
12	C 33732	SCREW - 1/4" - 20 x 3/4"	2

FRONT AXLE

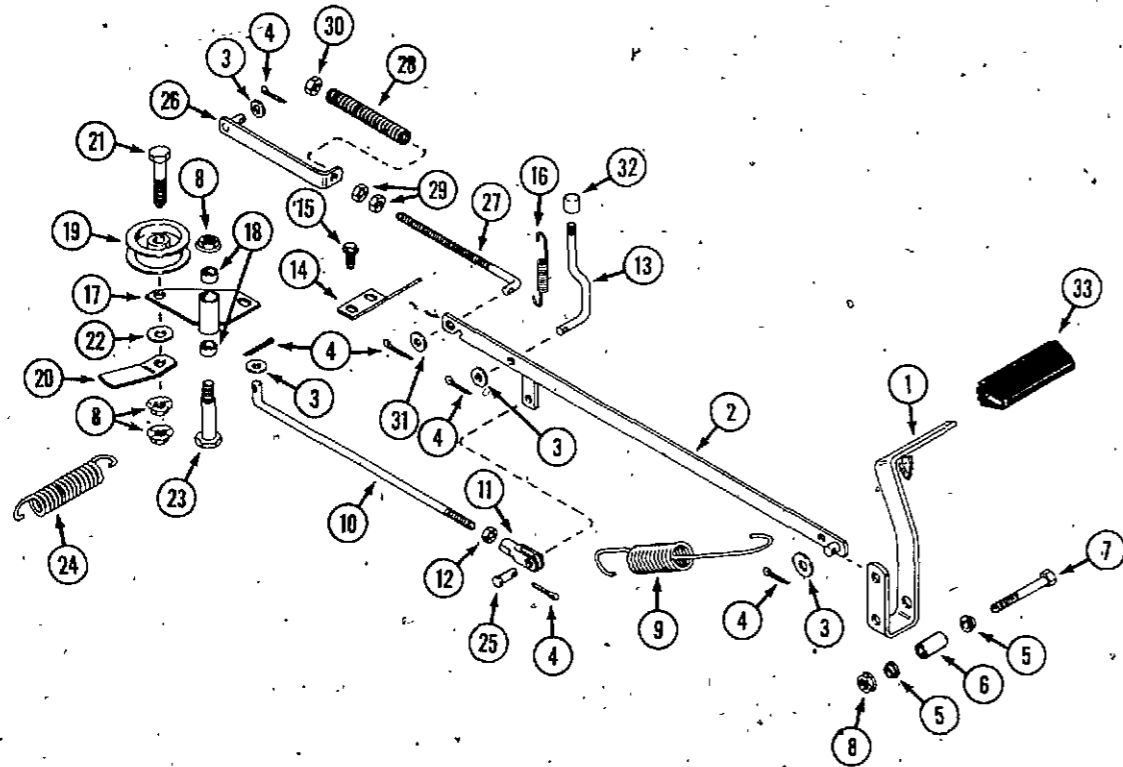
1	C 33611	AXLE - front	1
2	C 28646	BUSHING - axle pivot	1
3	113- 410	BOLT - 1/2" - 13 x 1-1/2"	1
4	131- 1182	NUT - lock 1/2" - 13 hex	1
5	C 25846	BUSHING - flange	4
6	C 28226	WASHER	4
7	C 31332	SPINDLE - left hand	1
7	C 31333	SPINDLE - right hand (shown)	1
8	C 26333	BALL JOINT - L.H. thread	2
9	C 26332	BALL JOINT - R.H. thread	2
10	129- 289	NUT - jam 3/8" - 24 hex, L.H. thread	2
11	129- 163	NUT - jam 3/8" - 24 hex	2
12	113- 208	BOLT - 3/8" - 16 x 1-1/4"	4
13	131- 1352	NUT - 3/8" - 16 hex flange lock	4
14	C 23964	TIE ROD	2
15	C 28232	RING - retaining	4
16	219- 17	FITTING - lubrication	2
17	C 13106	COVER - lubrication fitting	2
18	132- 49	PIN - cotter 1/8" x 1-1/8"	2



TRAVEL CONTROL

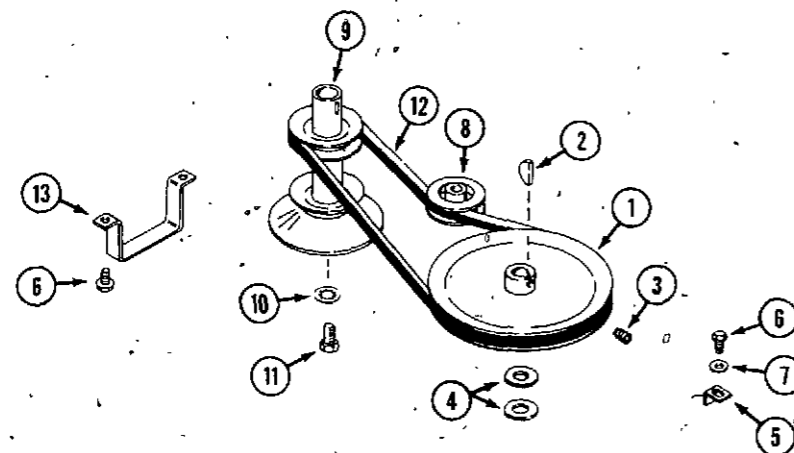


REF.	PART NO.	DESCRIPTION	REQ'D.
1	C 33656	CRANK - shift (includes ref. 2)	1
2	C 29800	BUSHING - ball 5/16"	2
3	114- 2	BOLT - 1/4" - 28 x 1/2"	1
4	195- 518	WASHER - 1/4"	1
5	192- 19	LOCKWASHER - 1/4"	1
6	C 33658	BOLT - "J"	1
7	C 33659	YOLK - adjustment	1
8	129- 402	NUT - 5/16" - 18	4
9	192- 20	LOCKWASHER - 5/16"	2
10	C 33662	BRACKET - interlock switch	1
11	C 29690	BOLT - 5/16" - 18 x 1/2" self-tapping	1
12	C 33664	SHAFT - cross (includes ref. 2)	1
13	138- 96	PIN - roll 3/16" x 1"	1
14	138- 99	PIN - roll 3/16" x 1-3/8"	1
15	C 23602	BEARING - side flange	1
16	C 24137	SPRING - compression	1
17	C 15096	BUSHING - flange 5/8"	1
18	C 31597	SCREW - 1/4" - 20 x 1/2"	2
19	131- 934	NUT - 1/4" - 20 flange lock	2
20	C 33669	LEVER - travel	1
21	131- 1352	NUT - 3/8" - 16 flange lock	1
22	C 10487	KNOB - travel lever	1
23	121- 108	BOLT - 5/16" - 18 x 1-1/4" flange lock	1
24	C 33733	NUT - 5/16" - 18 flange lock	1



CLUTCH AND BRAKE LINKAGE

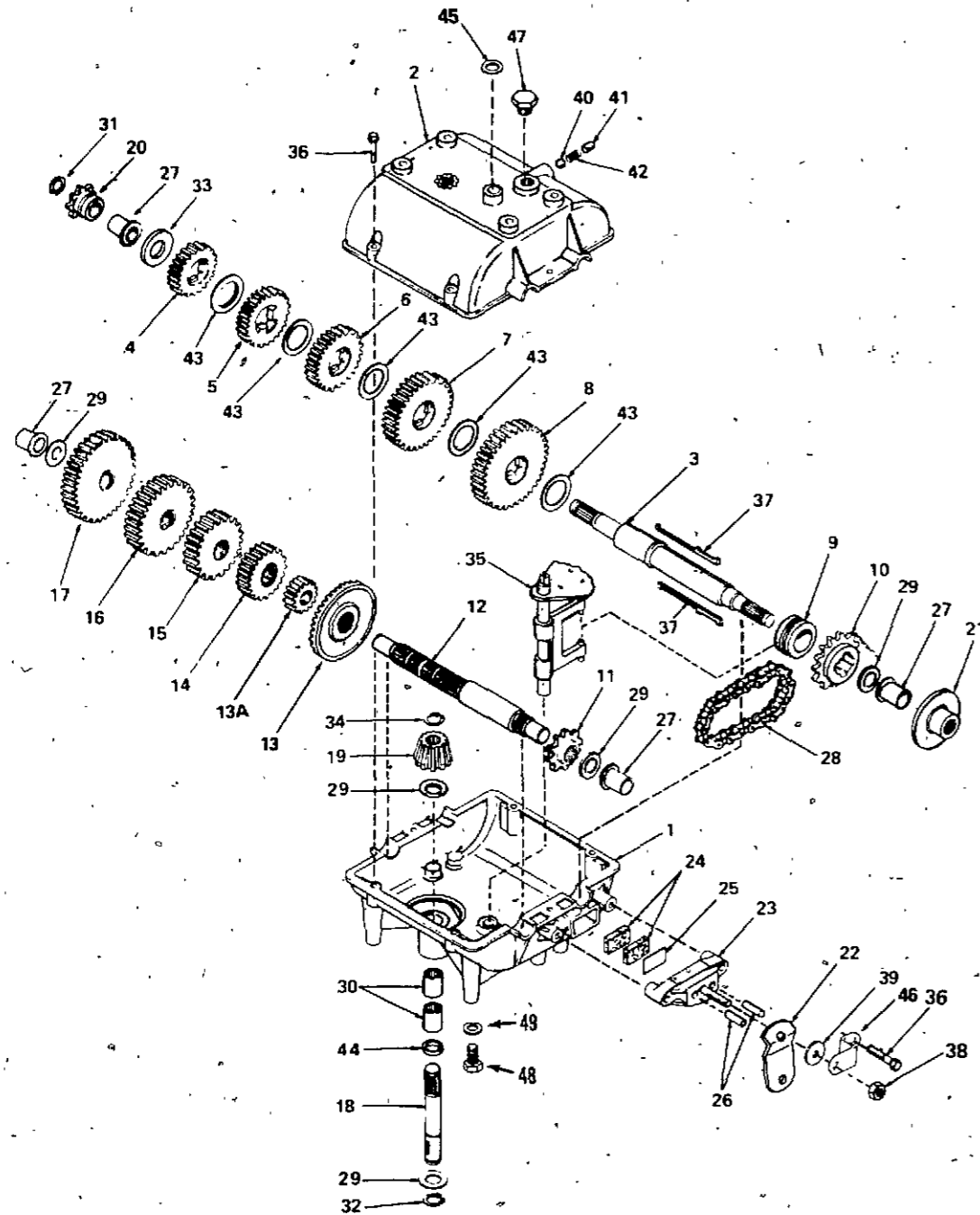
REF.	PART NO.	DESCRIPTION	REQ'D
1	C 33616	PEDAL - foot	1
2	C 33617	LINK - clutch/brake	1
3	195- 521	WASHER - 5/16"	4
4	132- 320	PIN - cotter 3/32" x 3/4"	5
5	C 26266	BUSHING - flange (press in chasis)	2
6	C 26848	SPACER - pedal	1
7	113- 248	BOLT - 3/8" - 16 x 2-3/4"	1
8	131- 1352	NUT - 3/8" - 16 flange lock	1
9	C 16379	SPRING - return	1
10	C 33625	ROD - clutch	1
11	C 28978	CLEVIS - 3/8"	1
12	129- 163	NUT - 3/8"	1
13	C 33626	ROD - parking brake	1
14	C 33627	BRACKET - latch, parking brake	1
15	C 29690	BOLT - 5/16" - 18 x 1/2" self-tapping	2
16	C 33731	SPRING - parking brake	1
17	C 33629	ARM - clutch	1
18	C 17597	BUSHING - sleeve	2
19	C 23542	PULLEY - flat idler	1
20	C 25122	GUIDE - belt	1
21	113- 257	BOLT - 3/8" - 16 x 2-1/2"	1
22	195- 525	WASHER - 3/8"	1
23	C 16745	BOLT - shoulder	1
24	C 33632	SPRING - clutch	1
25	141- 4	PIN - clevis 3/8"	1
26	C 33621	LINK - brake	1
27	C 33623	ROD - brake	1
28	C 24565	SPRING - compression	1
29	129- 101	NUT - 1/4" - 20	2
30	131- 1102	NUT - 1/4" - 20 lock	1
31	195- 516	WASHER - 1/4"	1
32	C 14525	BUTTON - thumb	1
33	C 24345	PAD - foot, rubber	1



DRIVE BELT AND PULLEYS

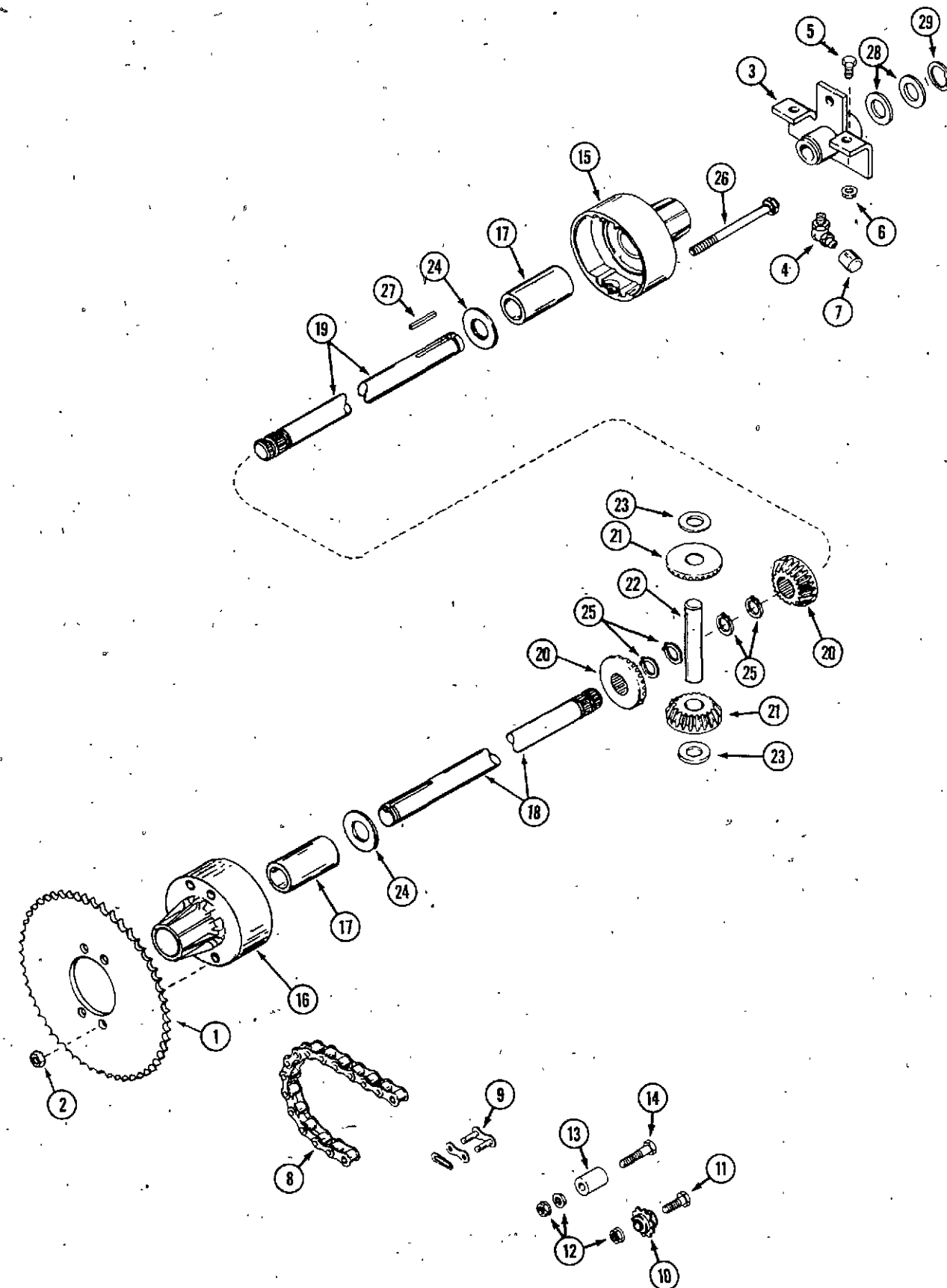
1	C 33672	PULLEY - transmission drive	1
2	126- 16	KEY - woodruff 3/16" x 3/4"	1
3	178- 858	SCREW - set 5/16" - 18 x 3/8" (use loctite)	1
4	195- 2063	WASHER - spacer 5/8"	2
5	C 33633	GUIDE - belt	1
6	C 29690	BOLT - 5/16" - 18 x 1/2"	3
7	195- 102	WASHER - 5/16"	1
8	C 23542	PULLEY - flat idler	1
9	C 33645	PULLEY - double	1
10	193- 31	WASHER - 7/16" lock	1
11	14- 712	BOLT - 7/16" - 20 x 3/4"	1
12	C 33646	BELT - drive	1
13	C 33634	GUIDE - belt	1

C33655 TRANSMISSION
PEERLESS MODEL 700-047

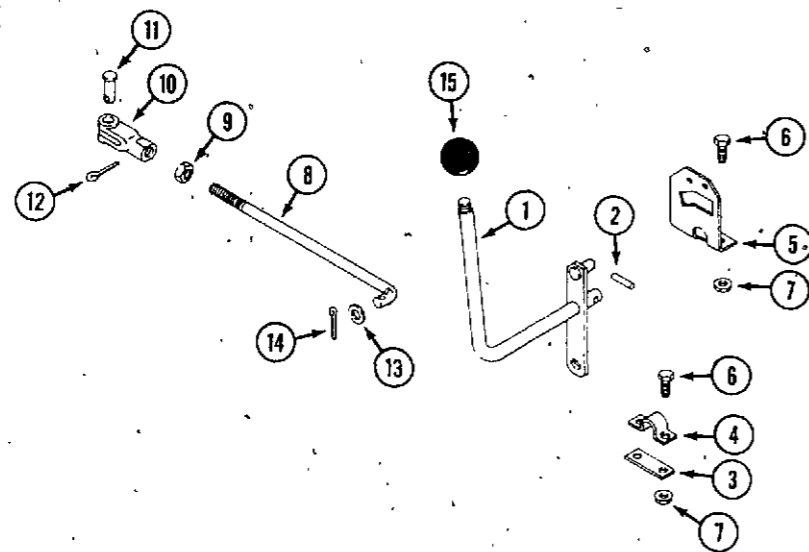


REF.	PART NO.	DESCRIPTION	REQ'D
1	C 34137	CASE - transmission	1
2	C 34138	COVER - transmission	1
3	C 34139	SHAFT - output & brake	1
4	C 34140	GEAR - spur (19 teeth)	1
5	C 27555	GEAR - spur (22 teeth)	1
6	C 28657	GEAR - spur (25 teeth)	1
7	C 28658	GEAR - spur (30 teeth)	1
8	C 27557	GEAR - spur (37 teeth)	1
9	C 28659	COLLAR - shift	1
10	C 28665	SPROCKET (18 teeth)	1
11	C 28655	SPROCKET (9 teeth)	1
12	C 34141	SHAFT - counter	1
13	C 27558	GEAR - bevel (42 teeth)	1
13A	C 27554	GEAR - spur (12 teeth)	1
14	C 28660	GEAR - spur (20 teeth)	1
15	C 28661	GEAR - spur (25 teeth)	1
16	C 27556	GEAR - spur (28 teeth)	1
17	C 34142	GEAR - spur (31 teeth)	1
18	C 28651	SHAFT - Input	1
19	C 28652	BEVEL PINION - input	1
20	C 34143	SPROCKET (8 teeth)	1
21	C 27563	DISK, brake	1
22	C 19356	LEVER - brake	1
23	C 34144	HOLDER - brake pad	1
24	C 19353	PAD, brake	2
25	C 19354	PLATE, brake pad	1
26	C 28650	PIN, dowel	2
27	C 28653	BUSHING - flanged	4
28	C 28668	CHAIN, roller (no. 41 chain, 24 links)	1
29	C 19345	RACE, thrust	5
30	C 28649	BEARING - needle	2
31	C 34145	RING, retaining	1
32	C 19347	RING - retaining	1
33	C 28663	WASHER	1
34	C 19352	RING - retaining	1
35	C 34146	ROD & FORK ASSY. - shift	1
36	C 34147	SCREW - hex hd. tapite, 1/4" - 20 x 1-1/4"	8
37	C 28666	KEY	2
38	C 19358	NUT - lock 5/16" - 24	1
39	C 19357	WASHER - flat, 5/16"	1
40	C 28667	BALL, steel - 5/16"	1
41	C 34148	SCREW - set, 3/8" - 16 x 3/8"	1
42	C 28654	SPRING	1
43	C 28664	WASHER - thrust	5
44	C 28648	RING - square cut	1
45	C 34149	SEAL - square cut	1
46	C 28821	BRACKET - brake lever	1
47	C 27588	PLUG - threaded	1
48	113- 102	BOLT - 5/16" - 18 x 3/4" (mounting)	4
49	192- 20	LOCKWASHER - 5/16"	4

REAR AXLE AND DRIVE CHAIN

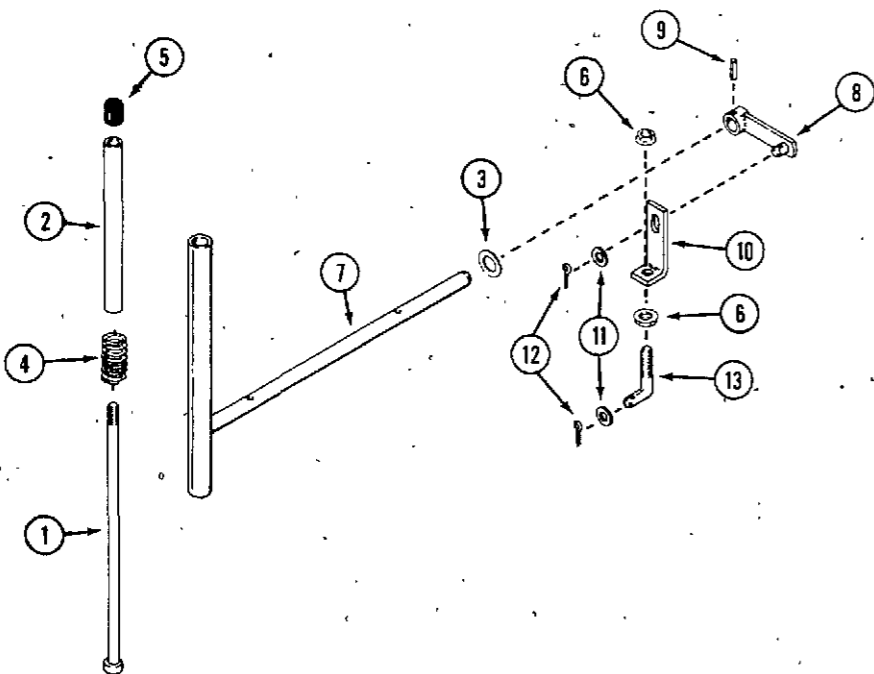


REF.	PART NO.	DESCRIPTION	REQ'D
1	C 33650	SPROCKET - drive no. 41 (45 teeth)	1
2	131- 69	NUT - 5/16" - 18 lock	4
3	C 25200	BEARING AND RETAINER ASSEMBLY - L.H. (shown)	1
	C 25846	BEARING - flange	2
3	C 33651	BEARING AND RETAINER ASSEMBLY - R.H.	1
	C 25846	BEARING - flange	2
4	219- 404	FITTING - lubrication, 45°	2
5	113- 102	BOLT - 5/16" - 18 x 3/4"	6
6	131- 911	NUT - 5/16" - 18 flange lock	6
7	C 13106	COVER - lubrication fitting	2
8	C 33673	CHAIN - drive	1
9	C 33674	LINK - connector	1
10	C 33675	SPROCKET - idler no. 41	1
11	113- 209	BOLT - 3/8" - 16 x 1-1/2"	1
12	131- 938	NUT - 3/8" - 16 flange lock	3
13	C 26862	ROLLER - chain guide	1
14	113- 213	BOLT - 3/8" - 16 x 2-1/4"	1
	C 33649	DIFFERENTIAL ASSEMBLY	1
15	C 34150	HOUSING - differential L.H. (includes ref. 17)	1
16	C 34151	HOUSING - differential R.H. (includes ref. 17)	1
17	C 34159	BUSHING - sleeve	2
18	C 34152	AXLE - R.H. 8-19/32" long	1
19	C 34153	AXLE - L.H. 16-7/16" long	1
20	C 30500	GEAR - bevel	2
21	C 19310	GEAR - pinion	2
22	C 34154	PIN - drive	1
23	C 34155	WASHER - thrust	2
24	C 11205	WASHER	2
25	C 34156	RING - retaining (pkg. of 2)	4
26	C 34157	BOLT - 5/16" - 18 x 3-15/16" flange head	4
27	C 11796	KEY - square 3/16" x 2"	2
28	C 28226	WASHER - 3/4" x 1-1/4"	4
29	C 27739	RING - retaining 3/4"	2



MOWER DRIVE CONTROL

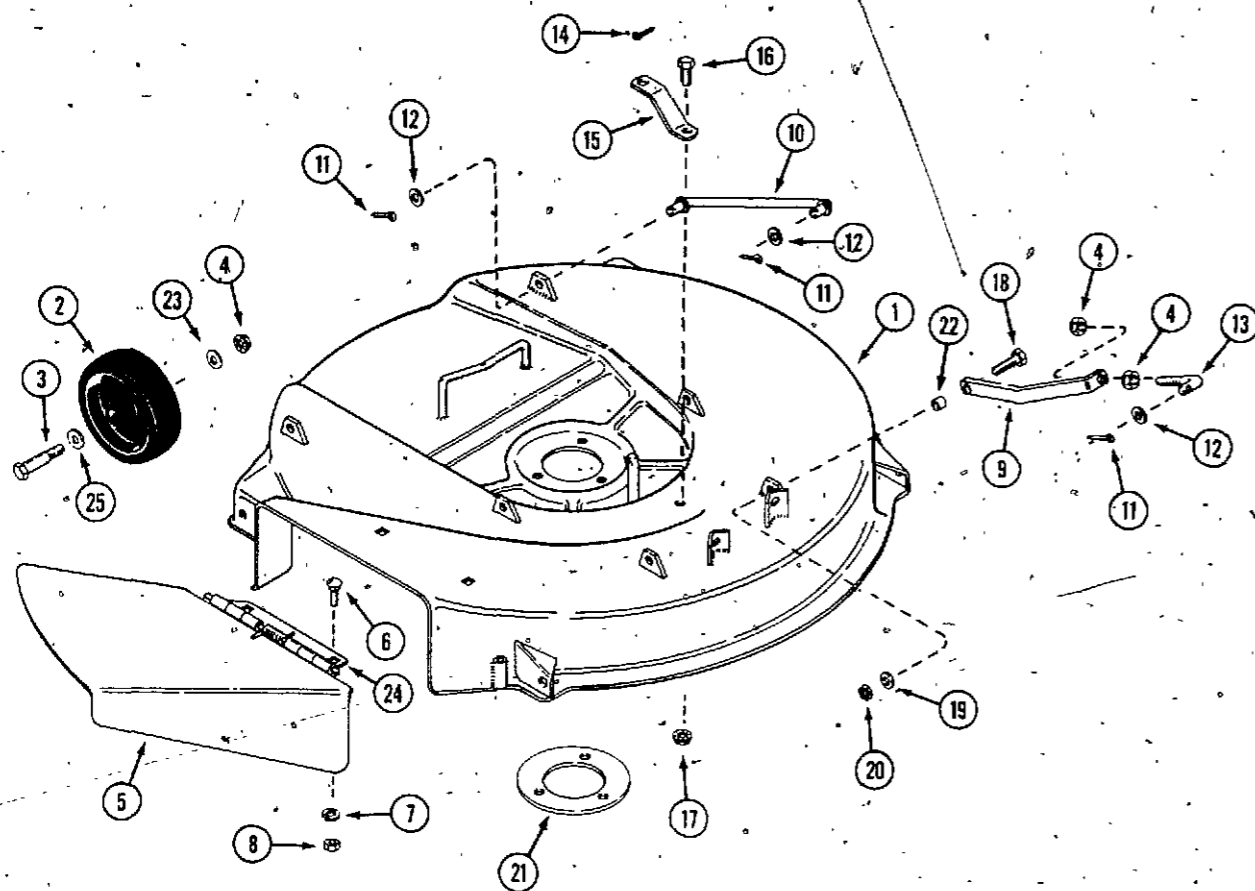
REF.	PART NO.	DESCRIPTION	REQ'D
1	C 33684	LEVER - mower drive	1
2	138- 92	PIN - roll 3/16" x 3/4"	1
3	C 34053	SHIM - lever	1
4	C 33687	CLAMP - saddle	2
5	C 33688	BRACKET - interlock switch mounting	1
6	113- 3	BOLT - 1/4" - 20 x 3/4"	4
7	131- 934	NUT - 1/4" - 20 flange lock	4
8	C 33690	ROD - mower drive	1
9	129- 163	NUT - 3/8" - 24	1
10	C 28978	CLEVIS - 3/8"	1
11	141- 4	PIN - clevis	1
12	132- 320	PIN - cotter 3/32" x 3/4"	1
13	195- 525	WASHER - 3/8"	2
14	132- 310	PIN - cotter 1/8" x 1"	1
15	C 10487	KNOB - control	1



MOWER HEIGHT AND LIFT CONTROL

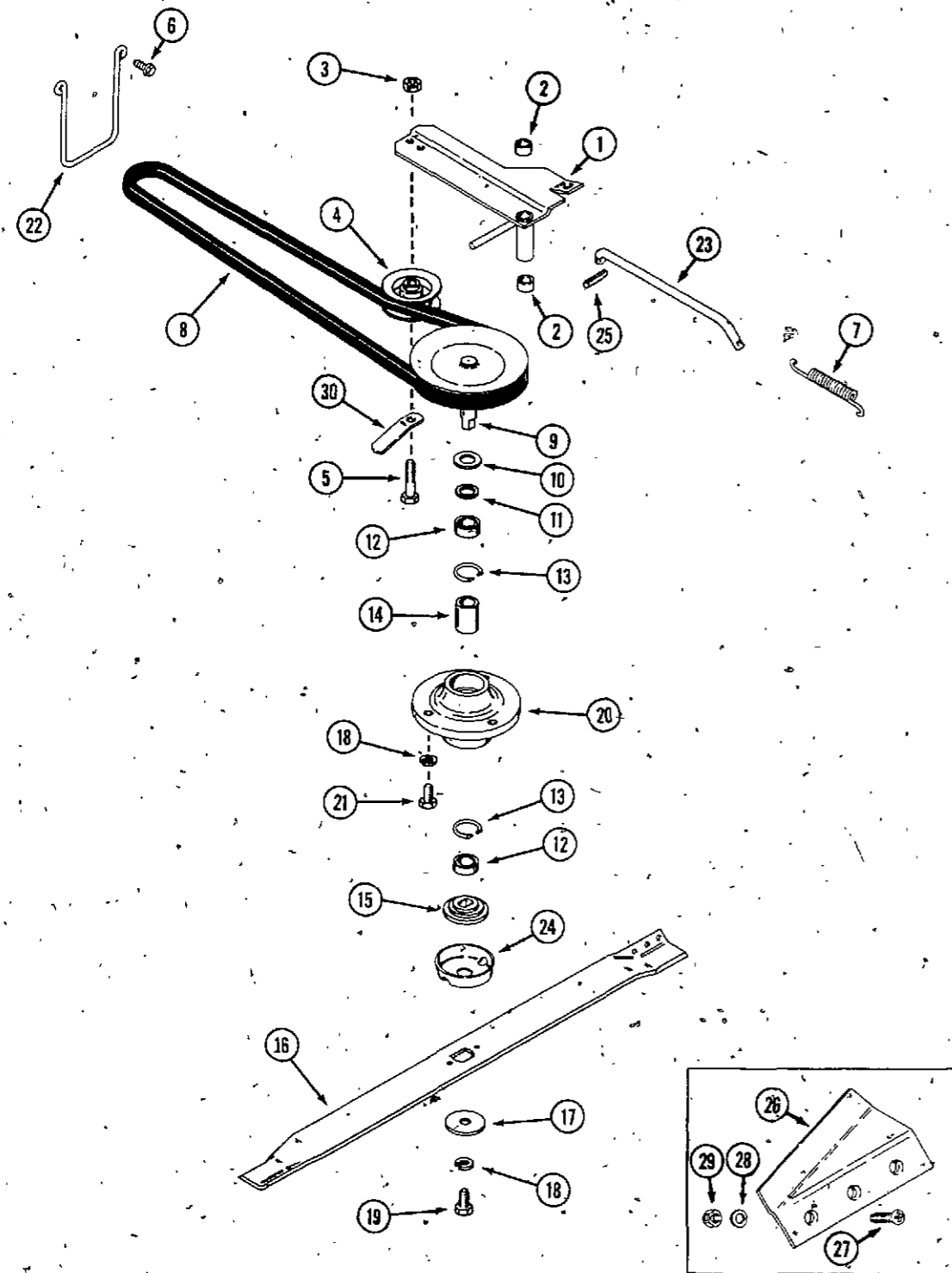
REF.	PART NO.	DESCRIPTION	REQ'D
1	C 33677	ROD - push	1
2	C 33676	SPACER - lift	1
3	195- 2063	WASHER	1
4	C 15564	SPRING - return	1
5	C 14525	BUTTON - push	1
6	131- 938	NUT - lock 3/8" - 16 hex flange	4
7	C 33636	SHAFT - lift pivot	1
8	C 24528	ARM - lift (L.H. side mounts in reverse)	2
9	138- 2071	PIN - spirol	2
10	C 24522	LINK - lift	2
11	195- 521	WASHER - 5/16"	4
12	132- 320	PIN - cotter 3/32" x 3/4"	4
13	C 24314	BOLT - "J" link adjust	2

MOWER DECK



REF.	PART NO.	DESCRIPTION	REQ'D
1	C 33711	DECK - mower 30"	1
2	C 33709	WHEEL - anti-scalp	4
3	C 16745	BOLT - shoulder	2
4	131- 938	NUT - lock 3/8" hex flange	8
5	C 25575	CHUTE	1
6	111- 132	BOLT - carriage 5/16" - 18 x 3/4"	2
7	192- 20	LOCKWASHER - 5/16"	2
8	129- 102	NUT - 5/16" - 18 hex	2
9	C 25551	LINK - connecting, L.H., front (shown)	1
9	C 25552	LINK - connecting, R.H., front	1
10	C 29094	LINK - rear	2
11	132- 320	PIN - cotter, 3/32" x 3/4"	6
12	195- 525	WASHER - 3/8"	6
13	C 24314	BOLT - "J" level adjust	2
14	132- 310	PIN - cotter 1/8" x 1"	1
15	C 33716	BRACKET - pivot	1
16	113- 101	BOLT - 5/16" - 18 x 1/2"	1
17	131- 911	NUT - 5/16" - 18 flange lock	1
18	113- 4	BOLT - 1/4" - 20 x 1"	2
19	195- 516	WASHER - 1/4"	2
20	131- 1180	NUT - lock, 1/4" - 20	2
21	C 26442	PLATE - stiffener	1
22	C 25553	SPACER	2
23	195- 103	WASHER - 3/8" (rear wheels only)	2
24	C 25577	HINGE - pivot	1
25	195- 533	WASHER - 1/2"	4

MOWER DRIVE ASSEMBLY



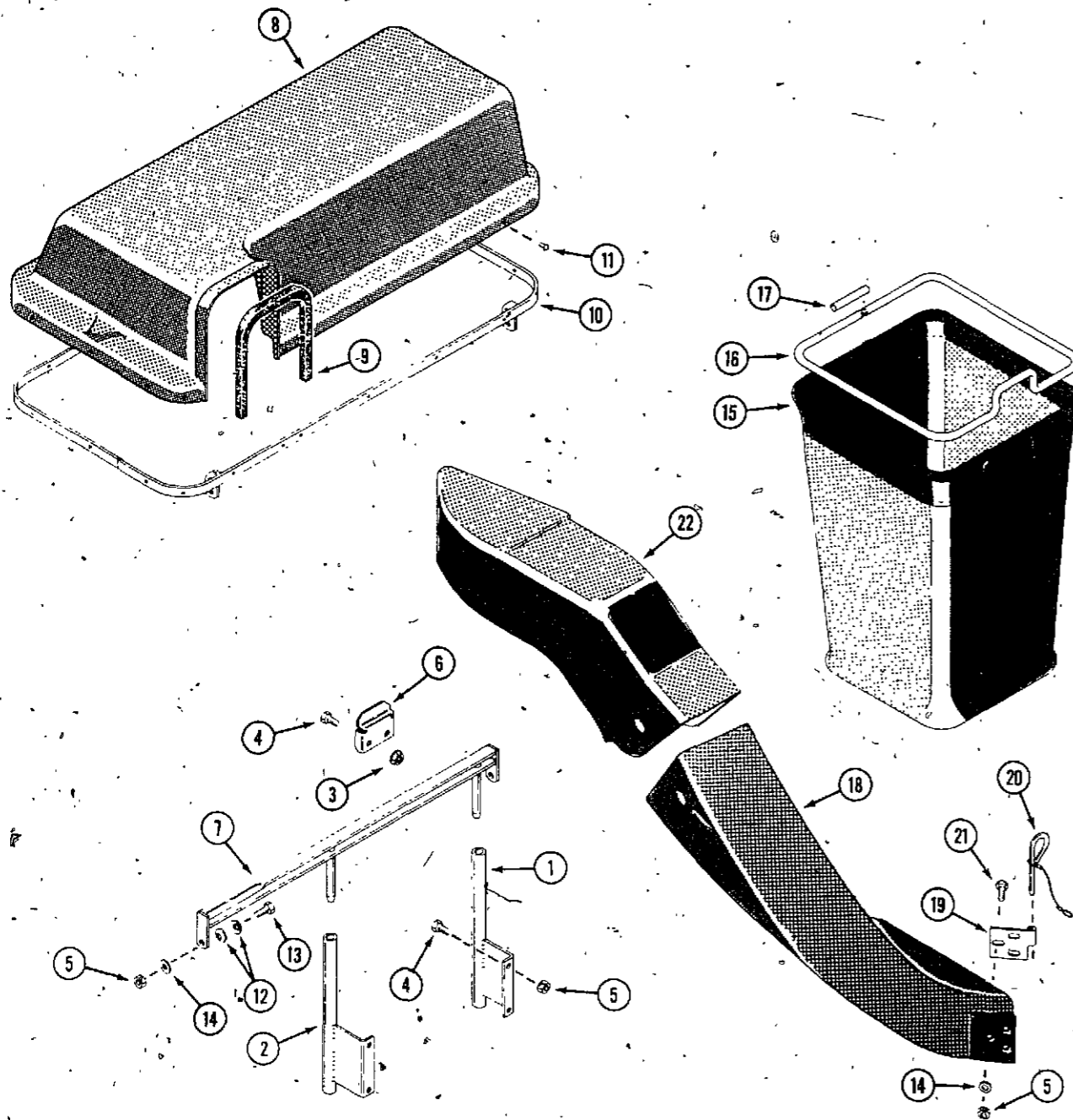
REF.	PART NO.	DESCRIPTION	REQ'D
1	C 33719	ARM - clutching (includes bushing)	1
2	C 17597	BUSHING - bearing	2
3	131- 1352	NUT - lock 3/8" - 16 hex, flange	1
4	C 23542	PULLEY - "backside" idler	1
5	113- 233	BOLT - 3/8" - 16 x 1-3/4" hex	1
6	195- 136	WASHER - 3/8"	1
7	C 33724	SPRING - tension	1
8	C 24349	BELT - mower drive	1
9	C 24737	PULLEY AND SPINDLE ASSEMBLY - mower drive	1
10	C 10942	WASHER - spacer	1
11	C 28972	WASHER - spindle	1
12	C 28971	BEARING	2
13	C 16516	RING - retaining	2
14	C 24916	SPACER - bearing	1
15	C 25542	ADAPTOR - blade	1
16	C 23408	BLADE - mower (use in Europe)	1
16	C 30061	BLADE - mower, high lift (use in U.S.A.)	1
17	C 31452	WASHER - 7/16" x 2"	1
18	192- 21	LOCKWASHER - 3/8"	4
19	113- 268	BOLT - 3/8" - 16 x 1" hex (torque 40 to 43 lb. ft. - 54 to 58 Nm)	1
20	C 24740	HOUSING - spindle	1
21	113- 206	BOLT - 3/8" - 16 x 3/4" hex	3
22	C 33635	GUIDE - belt	1
23	C 33723	LINK - clutch spring	1
24	C 25544	SHIELD - bearing	1
25	138- 37	PIN - roll 1/8" x 3/4"	1
26	C 30069	WING - high lift (for use when bagging) optional	1
27	C 30072	SCREW - 5/16" - 18 x 3/4"	6
28	192- 20	LOCKWASHER - 5/16"	6
29	131- 176	NUT - 5/16" - 18 lock	6
30	C 25122	GUIDE - belt	1
31	C 29620	BOLT - 5/16" - 18 x 3/4" self-tapping	2

BG30 BAGGER

REF.	PART NO.	DESCRIPTION	REQ'D
1	C 29061	BRACKET - mounting L.H.	1
2	C 29059	BRACKET - mounting R.H.	1
3	131- 911	NUT - flange 5/16"	4
4	113- 102	BOLT - 5/16" - 18 x 3/4"	8
5	131- 176	NUT - 5/16" - 18	9
6	C 28436	BRACKET - retaining	2
7	C 28434	FRAME - support	1
8	C 29870	COVER - bagger	1
9	C 24610	SEAL - chute	1
10	C 29871	HINGE - cover	1
11	151- 88	RIVET - 3/16" x 5/16"	17
12	C 25114	SPRING WASHER - Belleville	4
13	113- 103	BOLT - 5/16" - 18 x 1"	2
14	195- 521	WASHER - 5/16"	5
15	C 28438	BAG	2
16	C 28439	REINFORCEMENT - bag	2
17	C 28440	TUBE - connector	2
18	C 28492	CHUTE - extension, lower	1
19	C 24514	PLATE - chute mounting	1
20	C 24492	PIN ASSEMBLY - mounting	1
21	111- 202	BOLT - 5/16" - 18 x 3/4" carriage	3
22	C 28448	CHUTE - extension, upper	1
23	321- 4447	DECAL - "Spinning Blade"	1
24	C 31086	DECAL - "Flying Debris"	1
25	321- 4446	DECAL - "Flying Debris"	1
	C 30985	DECAL - "INGERSÖLL"	1

B93 REAR STAND KIT

1	C 29061	BRACKET - mounting L.H.	1
2	C 29059	BRACKET - mounting R.H.	1
4	113- 102	BOLT - 5/16" - 18 x 3/4"	4
5	131- 176	NUT - 5/16" - 18	4



WARNING
SPINNING BLADE
 SEE OPERATOR'S MANUAL BEFORE ATTEMPTING TO CLEAR PLUGGED DISCHARGE CHUTE. CONTACT WITH BLADE CAN RESULT IN SERIOUS INJURY

WARNING
FLYING DEBRIS
 OPERATE MOWER ONLY WITH DISCHARGE CHUTE GUARD/COVER OR COMPLETE GRASS CATCHER IN PLACE. DEBRIS MAY CAUSE INJURY

CAUTION
FLYING DEBRIS
 1 DO NOT RAISE COVER WHILE OPERATING
 2 PROPERLY INSTALL BAGGER AND CHUTE BEFORE STARTING MOWER. SEE OPERATOR'S MANUAL FOR FURTHER INSTRUCTIONS

NUMERICAL INDEX

PART NO.	PAGE NO.	REF. NO.	PART NO.	PAGE NO.	REF. NO.	PART NO.	PAGE NO.	REF. NO.
G34163	13	9	132- 49	27	18	321-4446	43	25
C34164	13	3	132- 310	37	14	321-4447	43	23
C34165	13	4	132- 310	39	14			
C34166	13	14	132- 320	31	4			
011- 312	9	6	132- 320	37	12			
014- 712	31	11	132- 320	37	12			
041- 24	11	9	132- 320	39	11			
092- 18	9	19	136- 103	9	16			
111- 132	17	14	138- 37	41	25			
111- 132	39	6	138- 75	15	11			
111- 202	43	21	138- 92	37	2			
113- 3	37	6	138- 96	29	13			
113- 4	39	18	138- 99	29	14			
113- 101	39	16	138- 143	27	2			
113- 102	33	48	138- 251	11	5			
113- 102	35	5	138-2071	37	9			
113- 102	43	4	141- 4	31	25			
113- 102	43	4	141- 4	37	11			
113- 103	43	13	151- 88	43	11			
113- 206	41	21	163- 4	9	18			
113- 208	27	12	173- 215	13	6			
113- 209	35	11	178- 858	31	3			
113- 213	35	14	182- 10	17	1			
113- 233	41	5	182- 84	7	4			
113- 248	31	7	182- 87	11	3			
113- 257	31	21	182- 90	7	10			
113- 268	41	19	182- 559	17	2			
113- 410	27	3	187-1037	7	1			
114- 2	29	3	187-1041	11	6			
126- 16	31	2	187-1328	15	13			
129- 6	9	13	187-1334	23	6			
129- 7	9	7	187-1508	5	39			
129- 17	17	4	187-1510	11	26			
129- 101	17	10	192- 18	17	3			
129- 101	31	29	192- 19	13	5			
129- 102	17	15	192- 19	17	9			
129- 102	17	18	192- 19	29	5			
129- 102	29	8	192- 20	17	17			
129- 102	39	8	192- 20	29	9			
129- 163	27	11	192- 20	33	49			
129- 163	31	12	192- 20	39	7			
129- 163	37	9	192- 20	41	28			
129- 289	27	10	192- 21	41	18			
129- 504	13	7	193- 25	7	5			
131- 69	35	2	193- 25	9	12			
131- 176	41	29	193- 31	31	10			
131- 176	43	5	195- 10	7	11			
131- 176	43	5	195- 102	31	7			
131- 911	25	4	195- 103	39	23			
131- 911	35	6	195- 136	41	6			
131- 911	39	17	195- 516	31	31			
131- 911	43	3	195- 516	39	19			
131- 934	17	8	195- 518	29	4			
131- 934	23	3	195- 521	31	3			
131- 934	25	8	195- 521	37	11			
131- 934	27	10	195- 521	43	14			
131- 934	29	19	195- 525	31	22			
131- 934	37	7	195- 525	37	13			
131- 938	35	12	195- 525	39	12			
131- 938	37	6	195- 533	39	25			
131- 938	39	4	195-2063	31	4			
131-1102	31	30	195-2063	37	3			
131-1180	39	20	214- 251	13	13			
131-1182	27	4	217-1016	7	7			
131-1352	27	13	218-5154	7	9			
131-1352	31	8	219- 10	25	3			
131-1352	41	3	219- 17	27	16			
132- 49	27	9	219- 404	35	4			

INGERSOLL
Ingersoll Equipment Co., Inc.