



GROUNDS MOWERS

Models

G1142

(CHAIN DRIVE)

Parts List

TABLE OF CONTENTS

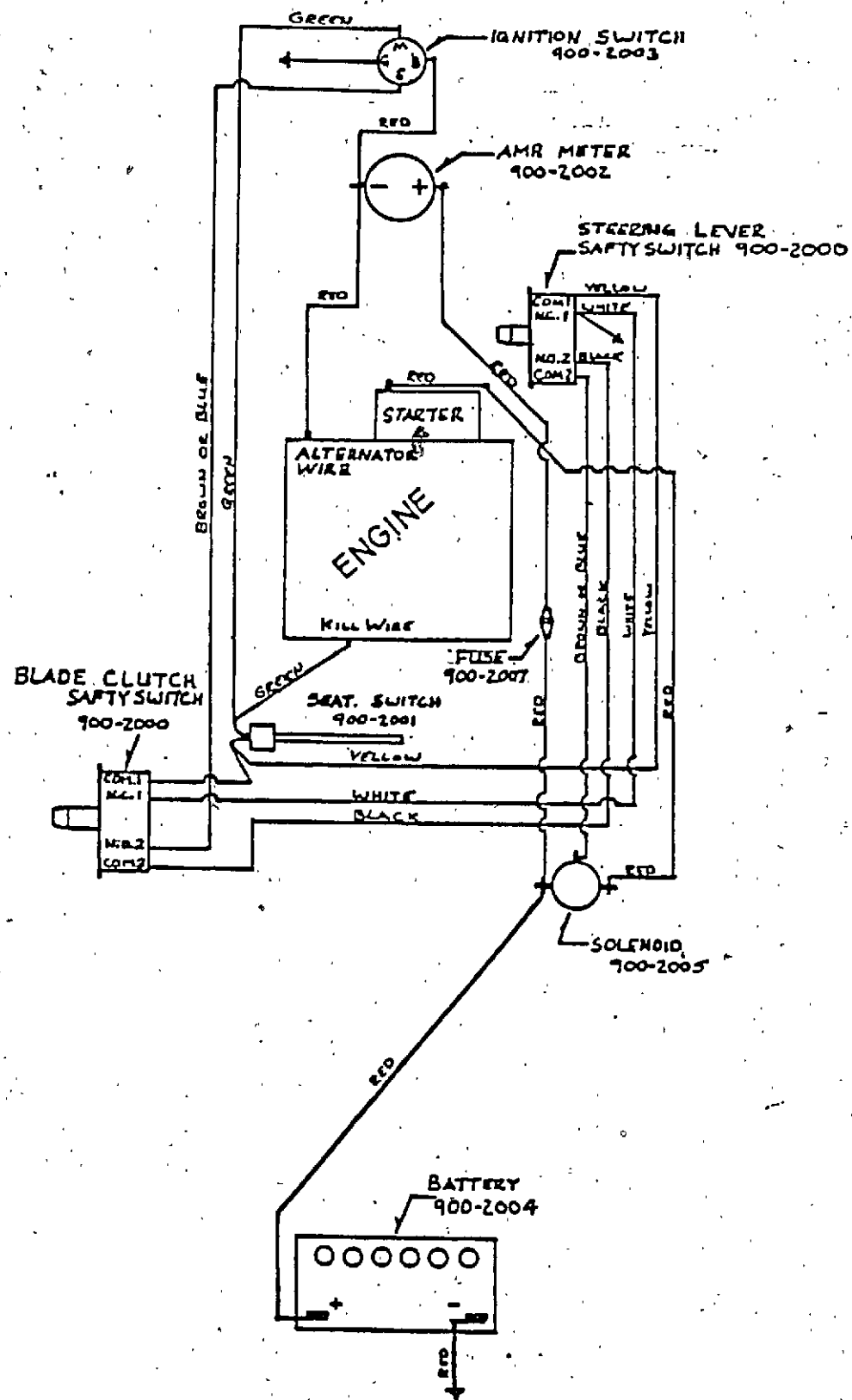
WIRING SCHEMATIC (1981-1982)	A3
WIRING SCHEMATIC (1983)	A4
BASE ASSEMBLY (1981)	A6
BASE ASSEMBLY (1982-1983)	A8
BODY ASSEMBLY	A10



Grazer Division, Ingersoll Equipment Company
Winneconne, WI 54986

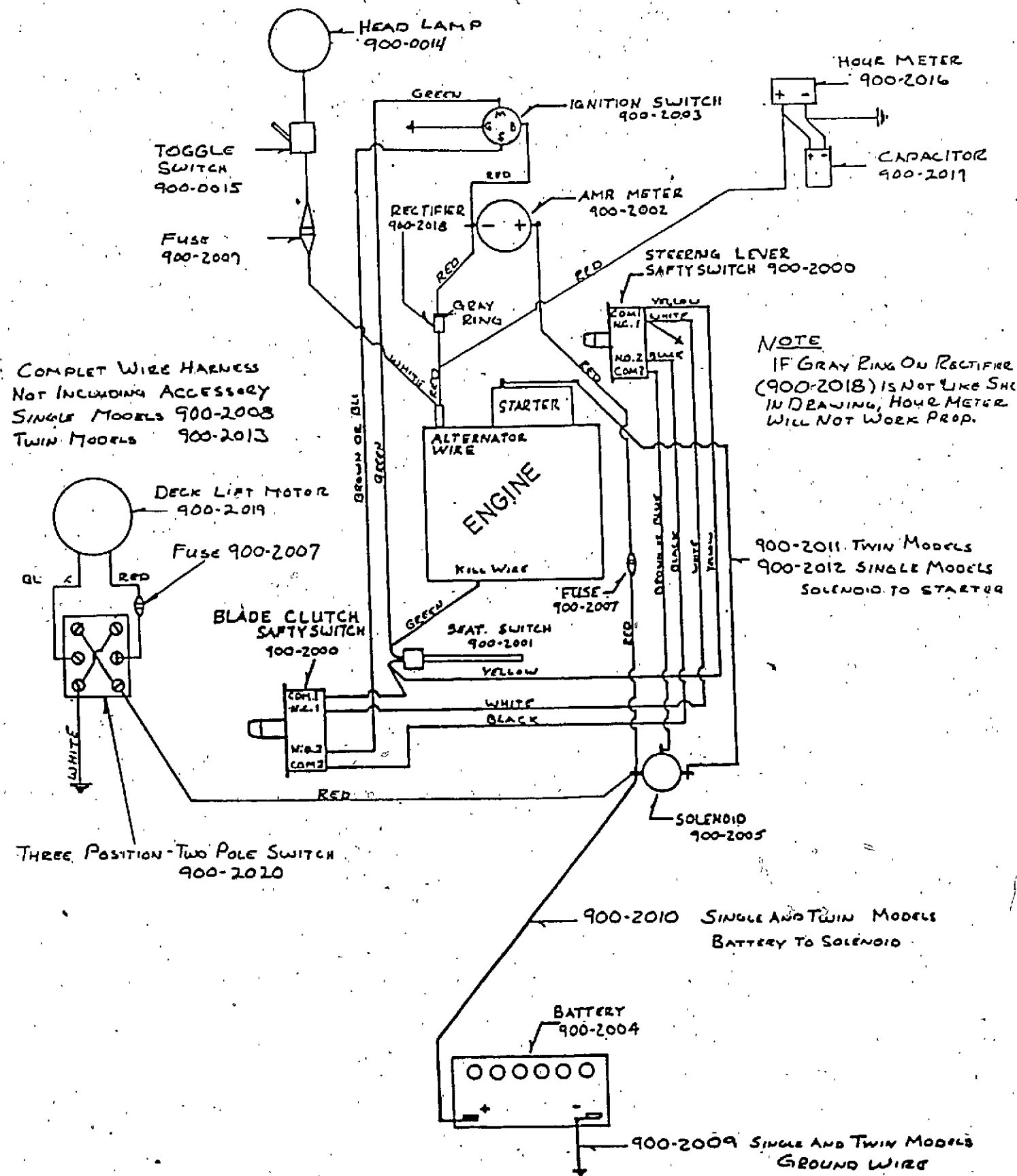
ELECTRICAL COMPONENTS AND WIRING SCHEMATIC

1981-1982

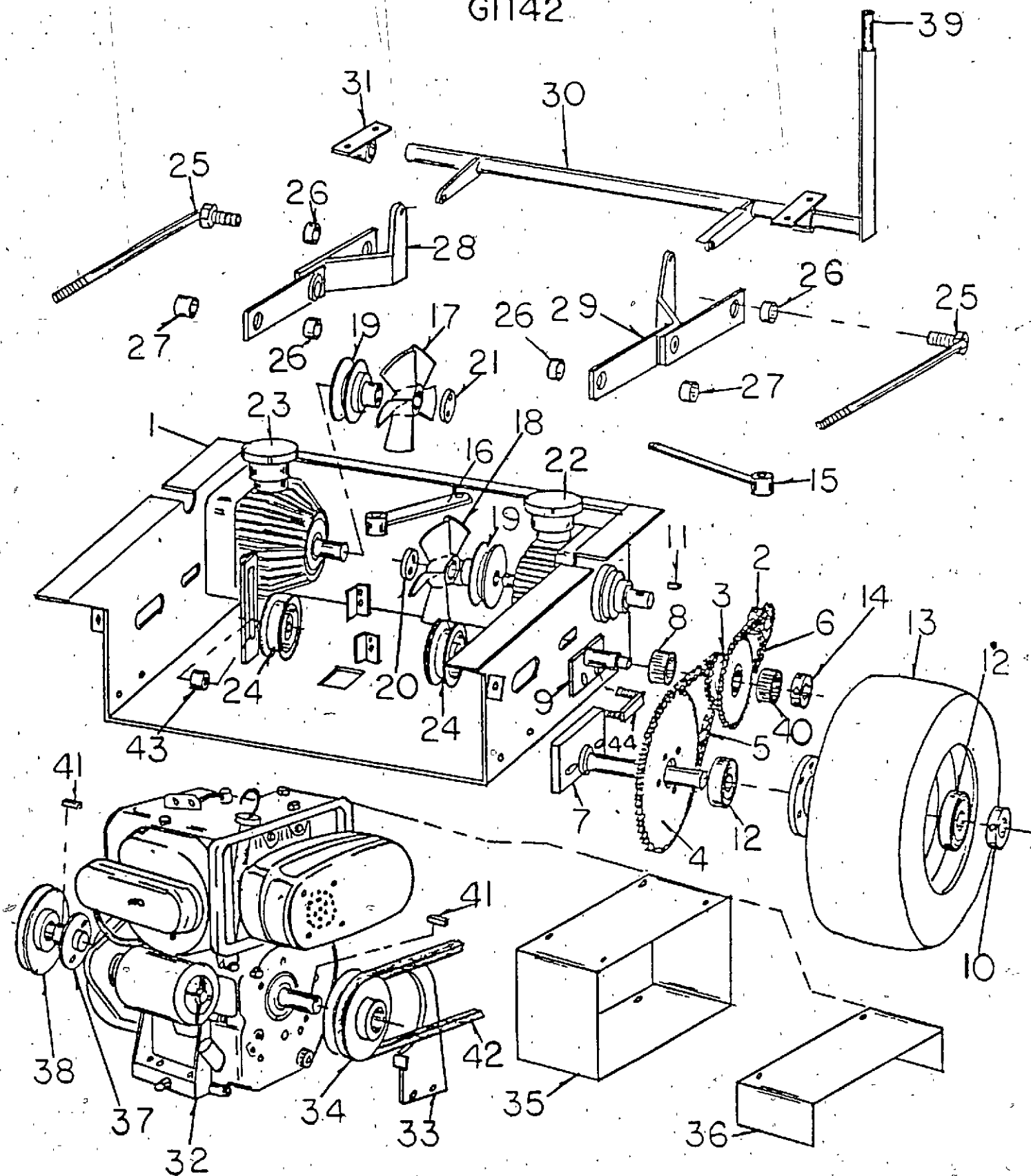


1983

ELECTRICAL COMPONENTS AND WIRING SCHEMATIC



BASE ASSEMBLY
G1142

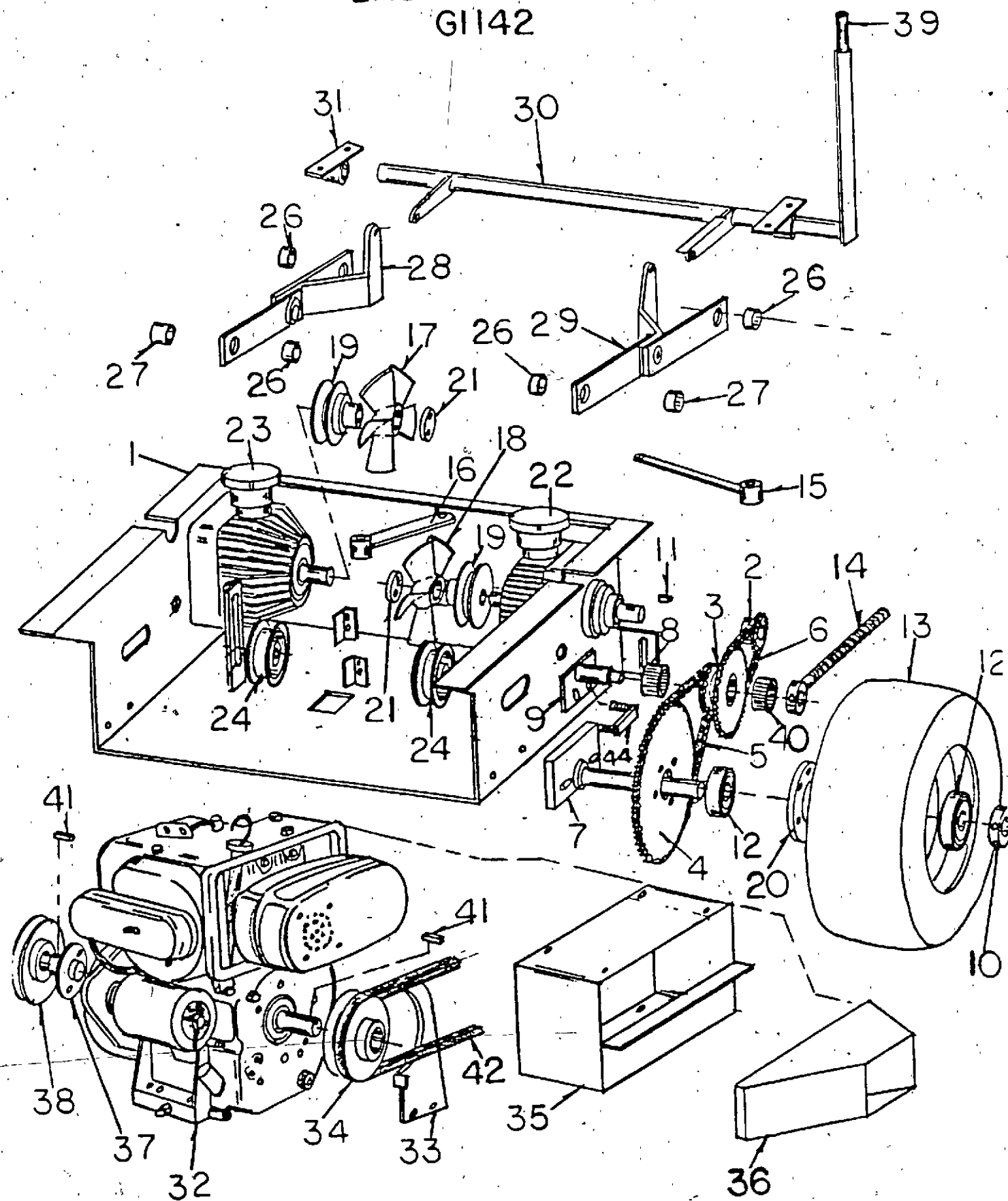


G1142 BASE

1981

REF. NO.	PART NO.	NO. REQD.	DESCRIPTIONS
1.	100-0000	1	BASE
2.	901-1500	2	SPROCKET, TRANSMISSION
3.	901-1501	2	SPROCKET, PRIMARY DRIVE
4.	901-1502	2	SPROCKET, FINAL DRIVE
5.	900-1000	2	CHAIN, FINAL DRIVE
6.	900-1001	2	CHAIN, PRIMARY DRIVE
7.	900-1002	2	MASTER LINKS #40 CHAIN
8.	100-0001	2	AXLE, DRIVE WHEEL
9.	900-3500	2	SHORT BEARING, IDLER SPROCKET
10.	100-0002	2	SHAFT, IDLER SPROCKET
11.	900-5510	2	SET COLLAR, DRIVE WHEEL
12.	900-4508	6	TRANSMISSION KEY
13.	900-3501	4	BEARING DRIVE WHEEL
14.	900-4000	2	DRIVE WHEEL ASSEMBLY
15.	900-4001	-	RIM, DRIVE WHEEL
16.	900-4002	-	TIRE, DRIVE WHEEL
17.	900-5511	2	SET COLLAR
18.	901-4506	1	ARM, TRANSMISSION LEFT-HAND
19.	901-4507	1	ARM, TRANSMISSION RIGHT-HAND
20.	900-4500	1	FAN, TRANSMISSION RIGHT-HAND
21.	900-4501	1	FAN, TRANSMISSION LEFT-HAND
22.	900-2500	2	TRANSMISSION PULLEY
23.	901-4502	1	LARGE TRANSMISSION WASHER LEFT-HAND
24.	901-4503	1	SMALL TRANSMISSION WASHER RIGHT-HAND
25.	900-4504	1	LEFT-HAND TRANSMISSION
26.	900-4505	1	RIGHT-HAND TRANSMISSION
27.	900-2501	2	IDLER PULLEY
28.	100-0003	2	BELT ADJUSTER BOLT
29.	100-0004	4	FIRST BUSHING DECK LINKAGE
30.	100-0005	2	SECOND BUSHING DECK LINKAGE
31.	100-0006	1	DECK LINKAGE RIGHT-HAND
32.	100-0007	1	DECK LINKAGE LEFT-HAND
33.	100-0008	1	LEVER DECK LINKAGE
34.	100-0009	1	BEARING, DECK LINKAGE LEVER
35.	900-5000	1	BRIGGS & STRATTON 11 H.P.
36.	100-0010	1	BELT RETAINER
37.	900-2502	1	ENGINE PULLEY (DOUBLE)
38.	100-0011	1	AIR DUCT
39.	100-0012	1	HEAT SHIELD
40.	100-0013	1	SHAFT, ENGINE
41.	900-2503	1	ENGINE PULLEY (SINGLE)
42.	900-5500	1	HANDLE GRIP
43.	900-3502	2	LONG BEARING IDLER SPROCKET
44.	100-0014	2	KEY STOCK
	900-3000	2	BELT, TRANSMISSION
	100-0015	2	SPACER, IDLER PULLEY
	100-0016	2	BOLT BAR

BASE ASSEMBLY G1142



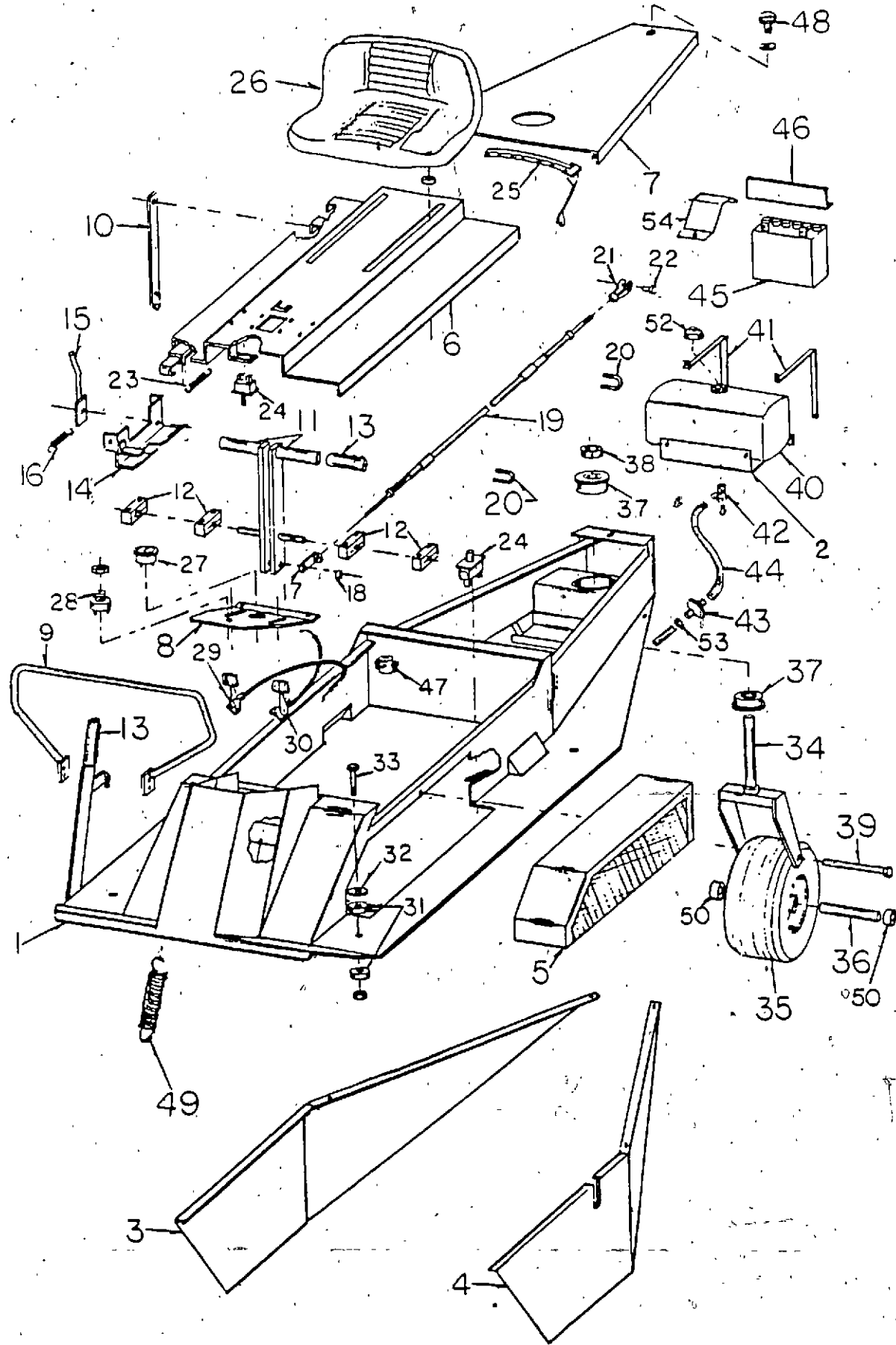
G1142 BASE

1982-1983

REF. NO.	PART NO.	NO. REQED.	DESCRIPTIONS
1.	100-0000	1	BASE
2.	901-1500	2	SPROCKET, TRANSMISSION
3.	901-1501	2	SPROCKET, PRIMARY DRIVE
4.	901-1502	2	SPROCKET, FINAL DRIVE
5.	900-1000	2	CHAIN, FINAL DRIVE
6.	900-1001	2	CHAIN, PRIMARY DRIVE
-	900-1002	2	MASTER LINKS #40 CHAIN
7.	100-0001	2	AXLE, DRIVE WHEEL
8.	900-3500	2	SHORT BEARING, IDLER SPROCKET
9.	100-0002	2	SHAFT, IDLER SPROCKET
10.	900-5510	2	SET COLLAR, DRIVE WHEEL
11.	900-4508	6	TRANSMISSION KEY
12.	900-3501	4	BEARING DRIVE WHEEL
13.	900-4011	2	DRIVE WHEEL ASSEMBLY
-	900-4003	2	RIM, DRIVE WHEEL
-	900-4002	-	TIRE, DRIVE WHEEL
14.	100-0017	2	SUPPORT COLLAR
15.	901-4506	1	ARM, TRANSMISSION LEFT-HAND
16.	901-4507	1	ARM, TRANSMISSION RIGHT-HAND
17.	900-4500	1	FAN, TRANSMISSION RIGHT-HAND
18.	900-4501	1	FAN, TRANSMISSION LEFT-HAND
19.	900-2500	2	TRANSMISSION PULLEY
20.	900-4009	2	WHEEL HUB
21.	901-4509	1	TRANSMISSION WASHER
22.	900-4504	1	LEFT-HAND TRANSMISSION
23.	900-4505	1	RIGHT-HAND TRANSMISSION
24.	900-2501	2	IDLER PULLEY
26.	100-0004	4	FIRST BUSHING DECK LINKAGE
27.	100-0005	2	SECOND BUSHING DECK LINKAGE
28.	100-0006	1	DECK LINKAGE RIGHT-HAND
29.	100-0007	1	DECK LINKAGE LEFT-HAND
30.	100-0008	1	LEVER DECK LINKAGE
31.	100-0009	1	BEARING, DECK LINKAGE LEVER
32.	900-5000	1	BRIGGS & STRATTON 11H.P.
33.	100-0010	1	BELT RETAINER
34.	900-2502	1	ENGINE PULLEY (DOUBLE)
35.	100-0018	1	AIR DUCT
36.	100-0019	1	HEAT SHIELD
37.	100-0013	1	SHAFT ENGINE
38.	900-2503	1	ENGINE PULLEY (SINGLE)
39.	900-5500	1	HANDLE GRIP
40.	900-3502	2	LONG BEARING IDLER SPROCKET
41.	100-0014	2	KEY STOCK
42.	900-3000	2	BELT, TRANSMISSION
44.	100-0016	2	BOLT BAR

G1142 BODY ASSEMBLY

G1142 BODY ASSEMBLY



REF. NO.	PART NO.	NO. REQD.	DESCRIPTIONS
1.	200-0000	1	BODY
2.	200-0000C	1	FUEL TANK MOUNT
3.	200-0001	1	FENDER RIGHT-HAND
4.	200-0002	1	FENDER LEFT-HAND
5.	200-0003	1	EXHAUST SHIELD
6.	200-0004	1	LID
7.	200-0005	1	BACK COVER
8.	200-0006	1	DASH BOARD
9.	200-0007	1	GUARD RAIL
10.	200-0008	1	LID PROP
11.	200-0009	2	STEERING LEVER
12.	200-0010	4	BEARING BLOCK, STEERING LEVER
13.	900-5500	3	HANDLE GRIP
14.	200-0020	1	LEVER LOCK
15.	200-0012	1	LATCH, LEVER LOCK
16.	900-5501	1	SPRING
17.	200-0013	2	STEERING CABLE END
18.	200-0014	2	BUSHING STEERING CABLE END
19.	900-5502	2	STEERING CABLE
20.	900-5503	4	CLAMP, STEERING CABLE
21.	900-5504	2	CLEVES, STEERING CABLE
22.	900-5505	2	CLEVES PIN, STEERING CABLE
23.	900-5501	1	SPRING
24.	900-2000	2	SWITCH, SAFETY
25.	900-2001	1	SWITCH, SEAT
26.	900-5506	1	SEAT
27.	900-2002	1	AMP. GAGE
28.	900-2003	1	SWITCH STARTER
29.	900-5507	1	THROTTLE CABLE
30.	900-5508	1	CHOKE CABLE
31.	900-5509	8	RUBBER BODY MOUNTS
32.	200-0015	4	BODY MOUNT WASHER
33.	-----	4	BODY BOLTS
34.	200-0016	1	TAIL WHEEL FORK
35.	900-4004	1	TAIL WHEEL ASSEMBLY
--	900-4005	-	RIM, TAIL WHEEL
--	900-4006	-	TIRE, TAIL WHEEL
36.	200-0017	1	AXLE TAIL WHEEL
37.	900-3503	2	BEARING, TAIL WHEEL
38.	900-5510	1	SET COLLAR
39.	-----	1	BOLT, TAIL WHEEL
40.	900-5512	1	FUEL TANK
41.	200-0018	2	STRAPS, FUEL TANK
42.	900-5513	1	VALVE, FUEL TANK
43.	900-5514	1	FURL FILTER
44.	900-5515	1	FUEL HOSE
45.	900-2094	1	BATTERY
46.	200-0019	1	HOLD DOWN, BATTERY
47.	900-2005	1	SOLENOID
48.	900-5522	1	DZUS, FASTENER
49.	900-5516	2	DECK SPRING
50.	900-3505	2	BEARING, TAIL WHEEL
51.	900-5523	4	SPACER, SEAT
52.	900-5524	1	CAP FUEL TANK
53.	900-5525	4	CLAMP FUEL LINE
54	200-0021	1	BATTERY POST PROTECTOR



GROUNDS MOWERS

Models

G1642, G1652

G1852, G1862

(CHAIN DRIVE)

Parts List

TABLE OF CONTENTS

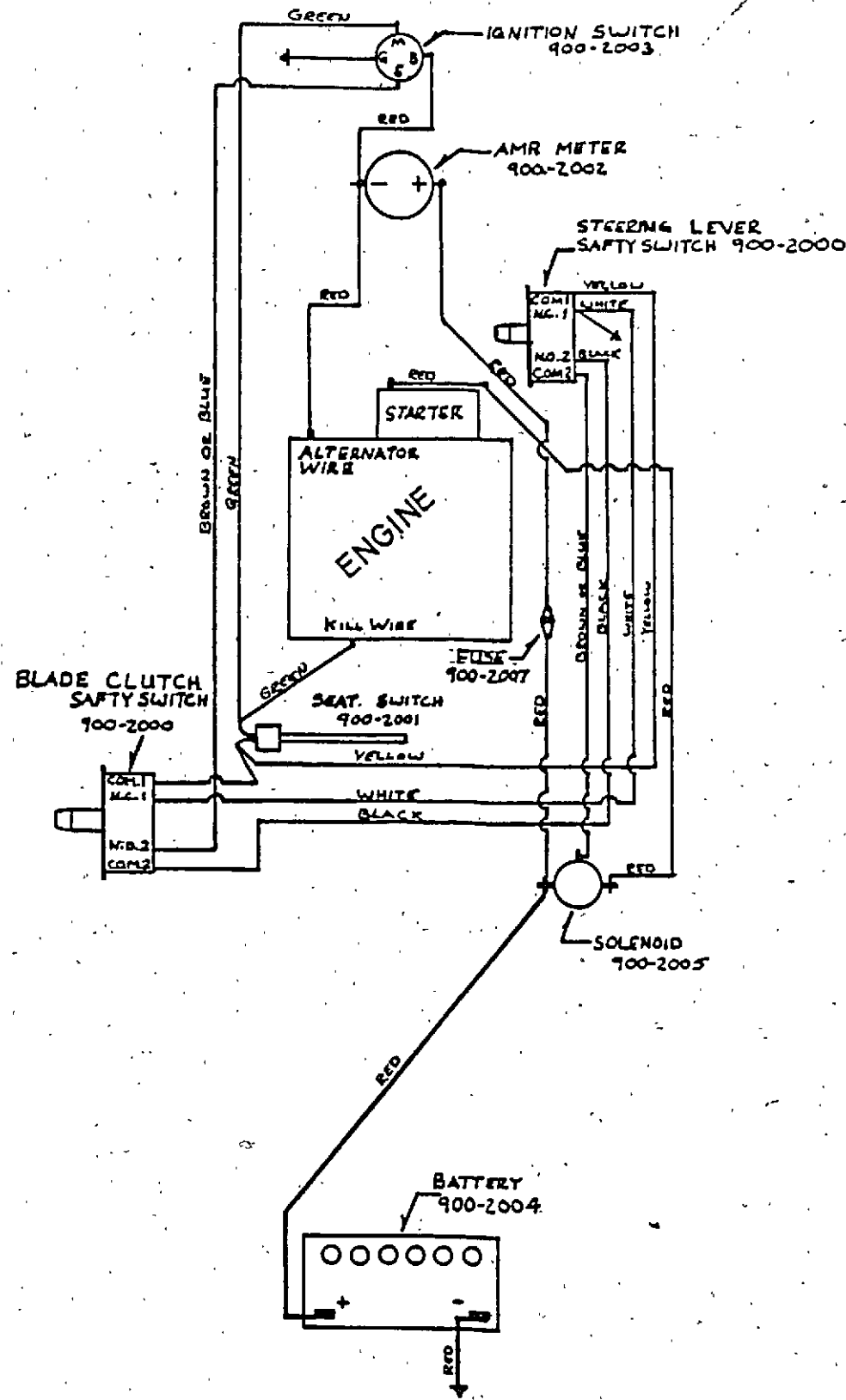
WIRING SCHEMATIC (1982)	B3
WIRING SCHEMATIC (1983)	B4
BASE ASSEMBLY (MODELS G1642, G1652, G1852)	B6
BASE ASSEMBLY (MODEL G1862)	B8
BODY ASSEMBLY	B10



Grazer Division, Ingersoll Equipment Company
Winneconne, WI 54986

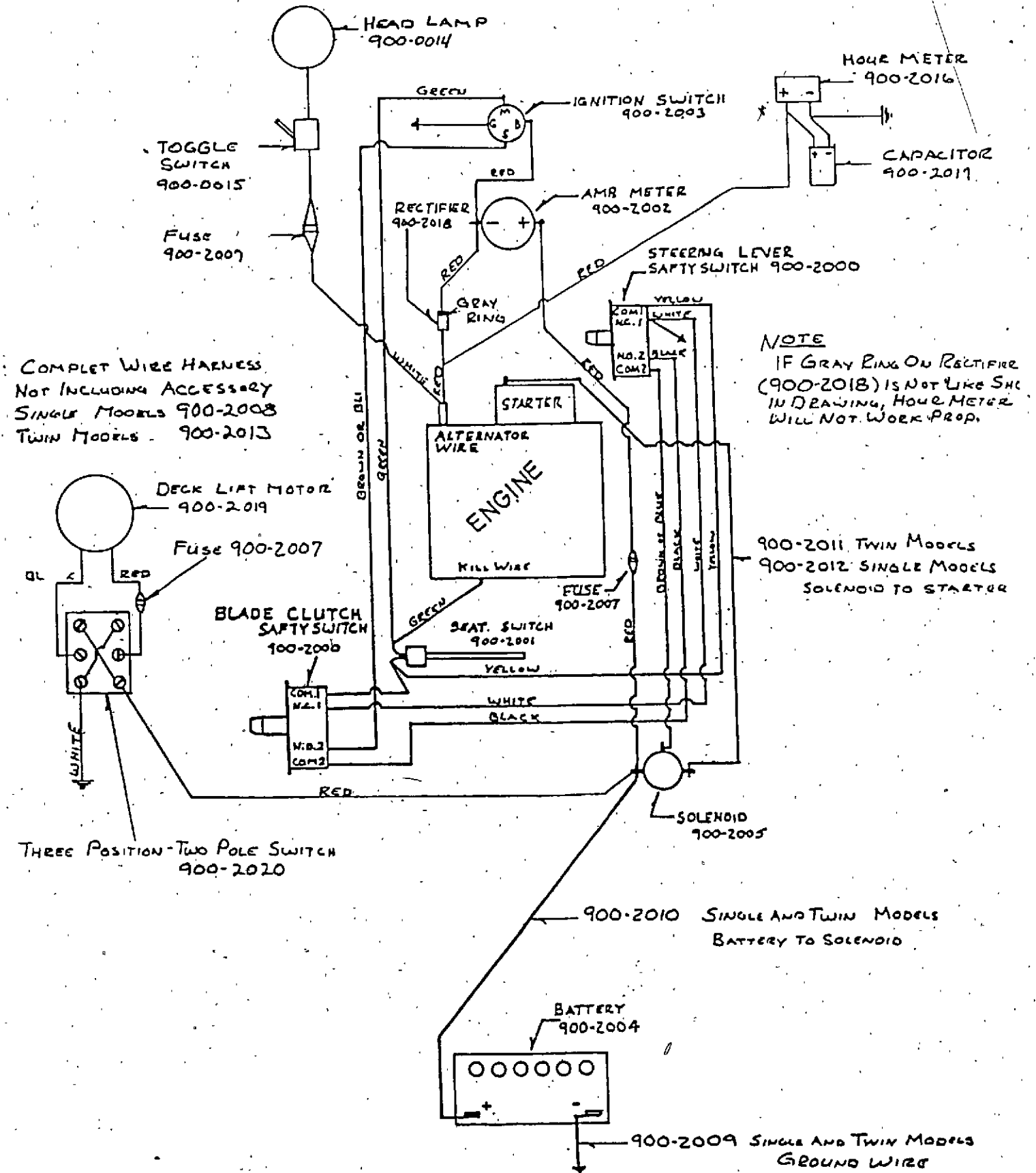
ELECTRICAL COMPONENTS AND WIRING SCHEMATIC

1982

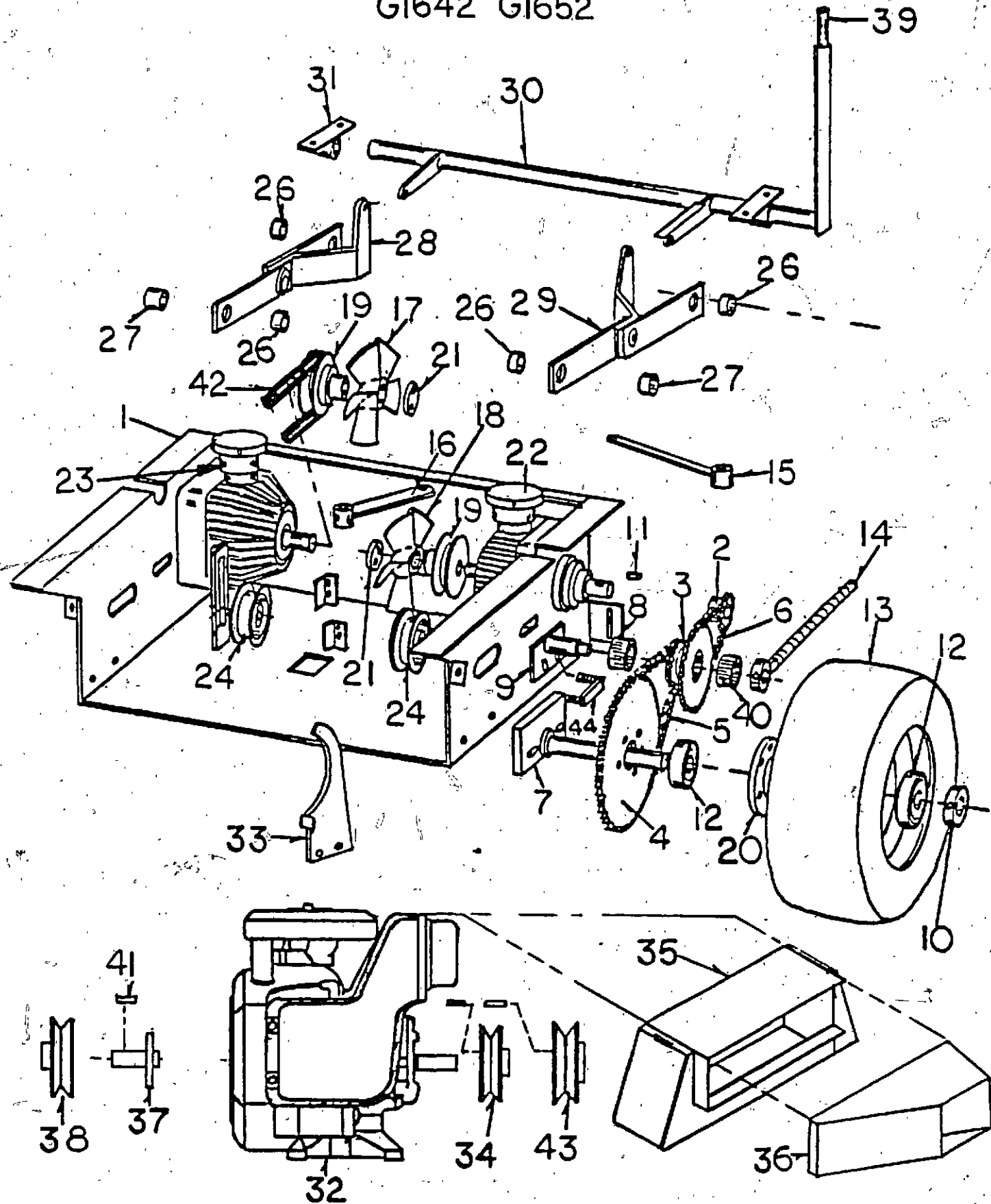


ELECTRICAL COMPONENTS AND WIRING SCHEMATIC

1983



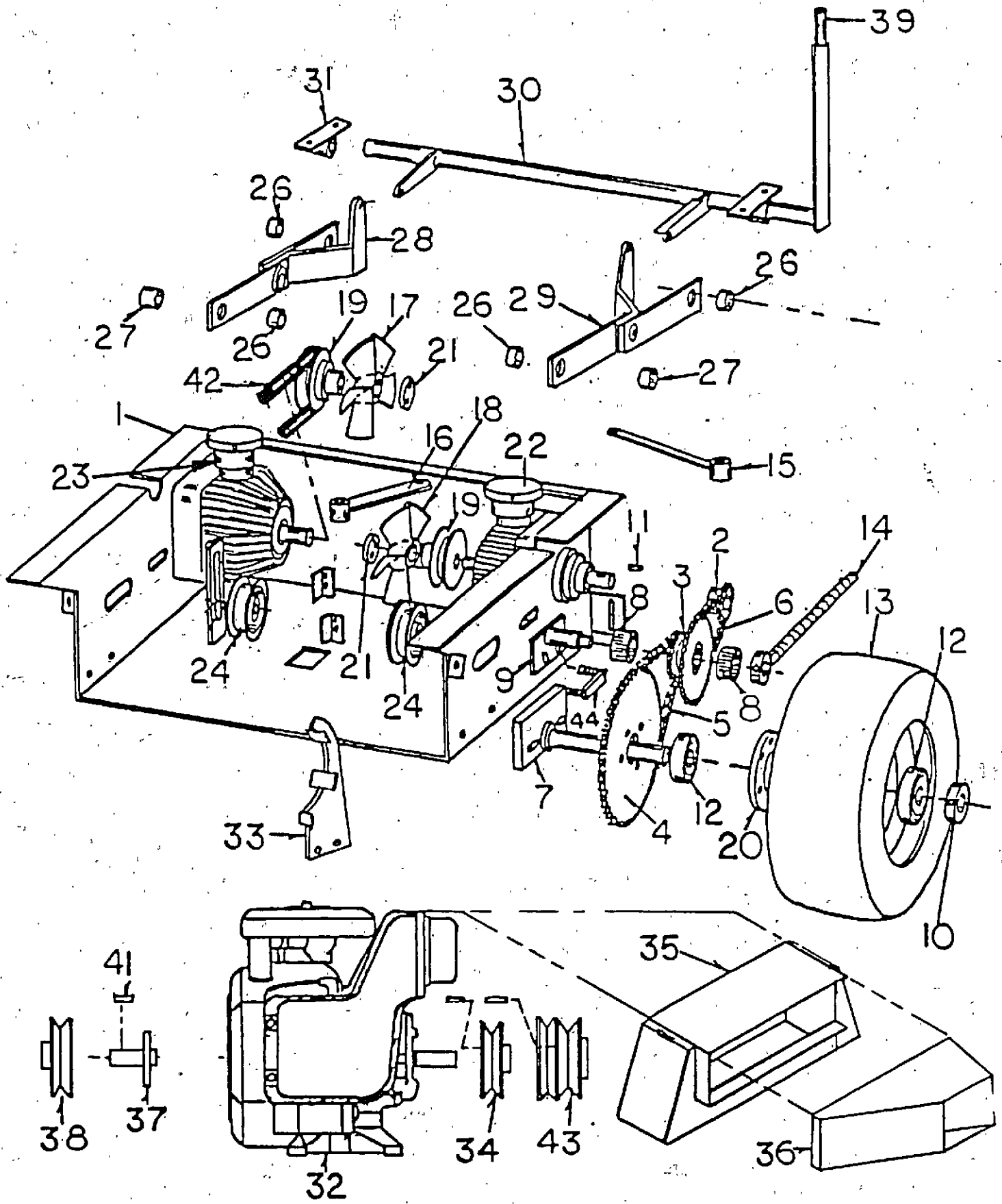
BASE ASSEMBLY
G1642 G1652



BASE (G1642,G1652,G1852)

REF. NO.	PART NO.	NO. REQED.	DESCRIPTIONS
1.	110-0000	1	BASE
2.	901-1500	2	SPROCKET, TRANSMISSION
3.	901-1501	2	SPROCKET, PRIMARY DRIVE
4.	901-1502	2	SPROCKET, FINAL DRIVE
5.	900-1000	2	CHAIN, FINAL DRIVE
6.	900-1001	2	CHAIN, PRIMARY DRIVE
-	900-1002	2	MASTER LINKS #40 CHAIN
7.	100-0001	2	AXLE, DRIVE WHEEL
8.	900-3500	2	SHORT BEARING, IDLER SPROCKET
9.	100-0002	2	SHAFT, IDLER SPROCKET
10.	900-5510	2	SET COLLAR, DRIVE WHEEL
11.	900-4508	6	TRANSMISSION KEY
12.	900-3501	4	BEARING DRIVE WHEEL
13.	900-4012	2	DRIVE WHEEL ASSEMBLY
--	900-4003	-	RIM, DRIVE WHEEL
--	900-4020	-	TIRE DRIVE WHEEL
14.	100-0017	2	SUPPORT COLLAR
15.	901-4506	1	ARM, TRANSMISSION LEFT-HAND
16.	901-4507	1	ARM, TRANSMISSION RIGHT-HAND
17.	900-4500	1	FAN, TRANSMISSION RIGHT-HAND
18.	900-4501	1	FAN, TRANSMISSION LEFT-HAND
19.	900-2500	2	TRANSMISSION PULLEY
20.	900-4009	2	WHEEL HUB
21.	901-4509	1	TRANSMISSION WASHER
22.	900-4504	1	LEFT-HAND TRANSMISSION
23.	900-4505	1	RIGHT-HAND TRANSMISSION
24.	900-2501	2	IDLER PULLEY
26.	100-0004	4	FIRST BUSHING DECK LINKAGE
27.	100-0005	2	SECOND BUSHING DECK LINKAGE
28.	100-0006	1	DECK LINKAGE RIGHT-HAND
29.	100-0007	1	DECK LINKAGE LEFT-HAND
30.	100-0008	1	LEVER DECK LINKAGE
31.	100-0009	1	BEARING, DECK LINKAGE LEVER
32.	900-5001	1	BRIGGS & STRATTON 16 H.P.
33.	100-0010	1	BELT RETAINER
34.	900-2509	1	PULLEY, TRANSMISSION DRIVER
35.	110-0001	1	AIR DUCT
36.	100-0019	1	HEAT SHIELD
37.	100-0013	1	SHAFT ENGINE
38.	900-2503	1	ENGINE PULLEY (SINGLE)
39.	900-5500	1	HANDLE GRIP
40.	900-3502	2	LONG BEARING IDLER SPROCKET
41.	100-0014	3	KEY STOCK
42.	900-3000	2	BELT, TRANSMISSION
43.	900-2513	1	PULLEY, DECK DRIVER
44.	100-0016	2	BOLT, BAR

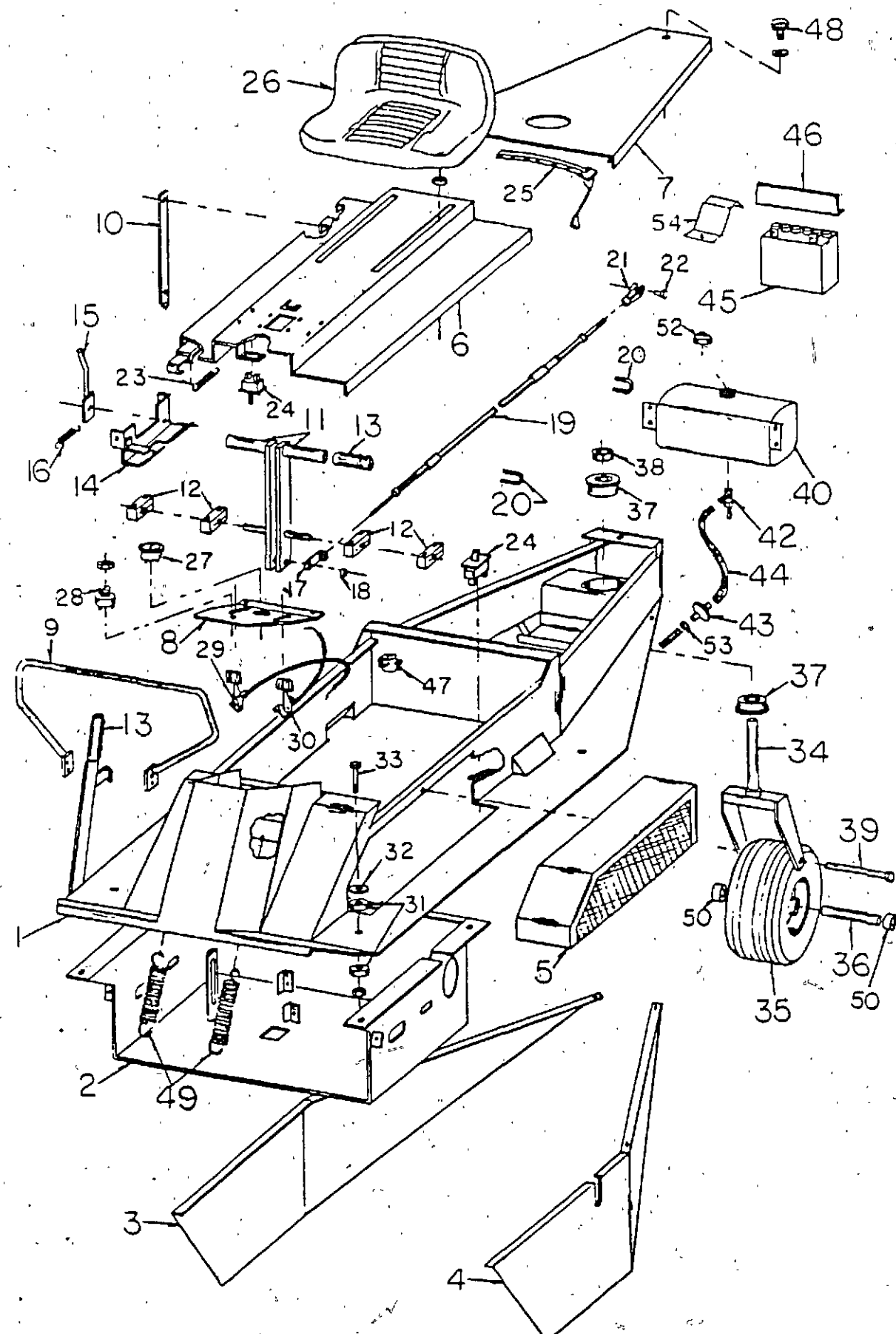
BASE ASSEMBLY G1862



BASE (G1862)

REF. NO.	PART NO.	NO. REQD.	DESCRIPTIONS
1.	110-0000	1	BASE
2.	901-1500	2	SPROCKET, TRANSMISSION
3.	901-1504	2	SPROCKET, PRIMARY DRIVE
4.	901-1503	2	SPROCKET, FINAL DRIVE
5.	900-1003	2	CHAIN, FINAL DRIVE
6.	900-1005	2	CHAIN, PRIMARY DRIVE
-	900-1004	2	MASTER LINKS #50 CHAIN
7.	120-0001	2	AXLE, DRIVE WHEEL
8.	900-3502	4	LONG BEARING, IDLER SPROCKET
9.	100-0002	2	SHAFT, IDLER SPROCKET
10.	900-5510	2	SET COLLAR, DRIVE WHEEL
11.	900-4508	6	TRANSMISSION KEY
12.	900-3501	4	BEARING DRIVE WHEEL
13.	900-4012	2	DRIVE WHEEL ASSEMBLY
--	900-4003	-	RIM, DRIVE WHEEL
--	900-4020	-	TIRE DRIVE WHEEL
14.	100-0017	2	SUPPORT COLLAR
15.	901-4506	1	ARM, TRANSMISSION LEFT-HAND
16.	901-4507	1	ARM, TRANSMISSION RIGHT-HAND
17.	900-4500	1	FAN, TRANSMISSION RIGHT-HAND
18.	900-4501	1	FAN, TRANSMISSION LEFT-HAND
19.	900-2500	2	TRANSMISSION PULLEY
20.	900-4010	2	WHEEL HUB
21.	901-4509	1	TRANSMISSION WASHER
22.	900-4504	1	LEFT-HAND TRANSMISSION
23.	900-4505	1	RIGHT-HAND TRANSMISSION
24.	900-2501	2	IDLER PULLEY
26.	100-0004	4	FIRST BUSHING DECK LINKAGE
27.	100-0005	2	SECOND BUSHING DECK LINKAGE
28.	100-0006	1	DECK LINKAGE RIGHT-HAND
29.	100-0007	1	DECK LINKAGE LEFT-HAND
30.	100-0008	1	LEVER DECK LINKAGE
31.	100-0009	1	BEARING, DECK LINKAGE LEVER
32.	900-5002	1	BRIGGS & STRATTON 18 H.P.
33.	120-0002	1	BELT RETAINER
34.	900-2509	1	PULLEY, TRANSMISSION DRIVER
35.	110-0001	1	AIR DUCT
36.	100-0019	1	HEAT SHIELD
37.	100-0013	1	SHAFT ENGINE
38.	900-2503	1	ENGINE PULLEY (SINGLE)
39.	900-5500	1	HANDLE GRIP
41.	100-0014	3	KEY STOCK
42.	900-3000	2	BELT, TRANSMISSION
43.	900-2520	1	PULLEY, DECK DRIVER
44.	100-0016	2	BOLT, BAR

BODY ASSEMBLY



REF. NO.	PART NO.	NO. REQD.	DESCRIPTIONS
1.	200-0000	1	BODY
2.	100-0000	1	BASE
3.	200-0001	1	FENDER RIGHT-HAND
4.	200-0002	1	FENDER LEFT-HAND
5.	200-0003	1	EXHAUST SHIELD
6.	200-0004	1	LID
7.	200-0005	1	BACK COVER
8.	200-0006	1	DASH BOARD
9.	200-0007	1	GUARD RAIL
10.	200-0008	1	LID PROP
11.	200-0009	2	STEERING LEVER
12.	200-0010	4	BEARING BLOCK, STEERING LEVER
13.	900-5500	3	HANDLE GRIP
14.	200-0011	1	LEVER DOCK
15.	200-0012	1	LATCH, LEVER LOCK
16.	900-5501	1	SPRING
17.	200-0013	2	STEERING CABLE END
18.	200-0014	2	BUSHING STEERING CABLE END
19.	900-5502	2	STEERING CABLE
20.	900-5503	4	CLAMP, STEERING CABLE
21.	900-5504	2	CLEVES, STEERING CABLE
22.	900-5505	2	CLEVES PIN, STEERING CABLE
23.	900-5501	1	SPRING
24.	900-2000	2	SWITCH, SAGETY
25.	900-2001	1	SWITCH, SEAT
26.	900-5506	1	SEAT
27.	900-2002	1	AMP. GAGE
28.	900-2003	1	SWITCH STARTER
29.	900-5507	1	THROTTLE CABLE
30.	900-5508	1	CHOKE CABLE
31.	900-5509	8	RUBBER BODY MOUNTS
32.	200-0015	4	BODY MOUNT WASHER
33.	-----	4	BODY BOLTS
34.	210-0001	1	TAIL WHEEL FORK
34.	230-0001	1	TAIL WHEEL FORK (G1862) (1983 MODEL)
35.	900-4014	1	TAIL WHEEL ASSEMBLY
35.	900-4017	1	TAIL WHEEL ASSEMBLY (G1862) (1983 MODEL)
---	900-4016	-	RIM, TAIL WHEEL
---	900-4019	---	RIM, TAIL WHEEL (G1862) (1983 MODEL)
---	900-4015	-	TIRE, TAIL WHEEL
---	900-4018	-	TIRE, TAIL WHEEL (G1862) (1983 MODEL)
36.	200-0017	1	AXLE TAIL WHEEL
36.	230-0017	1	AXLE TAIL WHEEL (G1862) (1983 MODEL)
37.	900-3503	2	BEARING, TAIL WHEEL
38.	900-5510	1	SET COLLAR
39.	-----	1	BOLT, TAIL WHEEL
40.	900-5533	1	FUEL TANK
42.	900-5513	1	VALVE, FUEL TANK
43.	900-5514	1	FUEL FILTER
44.	900-5515	1	FUEL HOSE
45.	900-2004	1	BATTERY
46.	200-0019	1	HOLD DOWN
47.	900-2005	1	SOLENOID
48.	900-5522	1	DZUS, FASTENER
49.	900-5516	2	DECK SPRING
50.	900-3505	2	BEARING, TAIL WHEEL
51.	900-5523	4	SPACER, SEAT
52.	900-5524	1	CAP FUEL TANK
53.	900-5525	4	CLAMP FUEL LINE
54.	200-0021	1	BATTERY POST PROTECTOR



GROUNDS MOWERS

Models

**G1100, G1600C, G1800, G1800C
G1800CH, G1800CK, G1800CN
G1800CNK, G1800CHK
G1600 - BEFORE S/N 02-09-0248**

(CHAIN DRIVE)

Parts List

TABLE OF CONTENTS

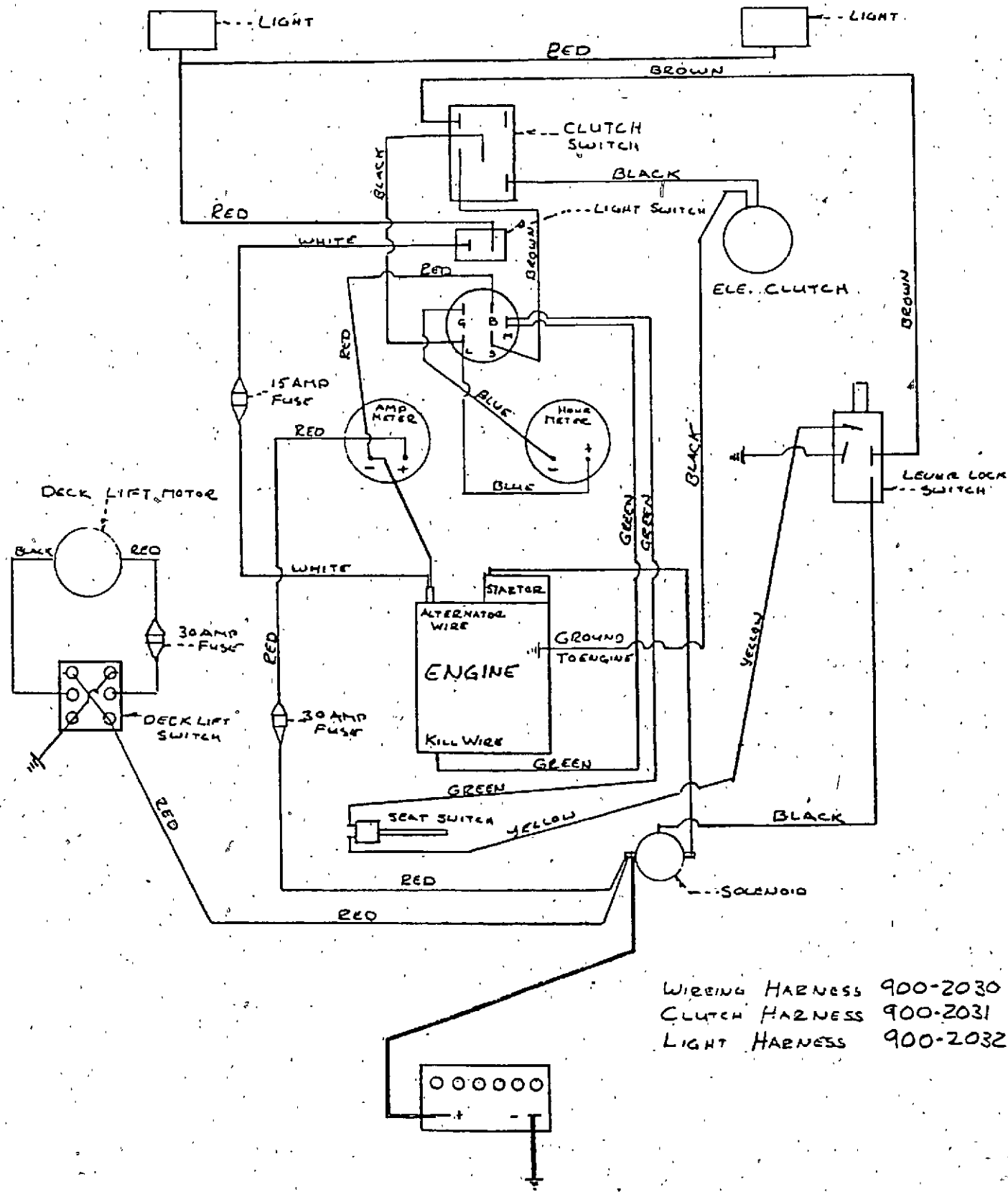
WIRING DIAGRAM (BRIGGS 1984)	C3
WIRING DIAGRAM (BRIGGS 1985)	C4
WIRING DIAGRAM (BRIGGS 1986 - 1988)	C5
WIRING DIAGRAM (ALL KOHLER)	C6
BASE ASSEMBLY	C8
BODY ASSEMBLY (BEFORE 1986)	C10
BODY ASSEMBLY (1986-1988)	C12
DECALS	C13



Grazer Division, Ingersoll Equipment Company
Winneconne, WI 54986

WIRING DIAGRAM
(BRIGGS & STRATTON)

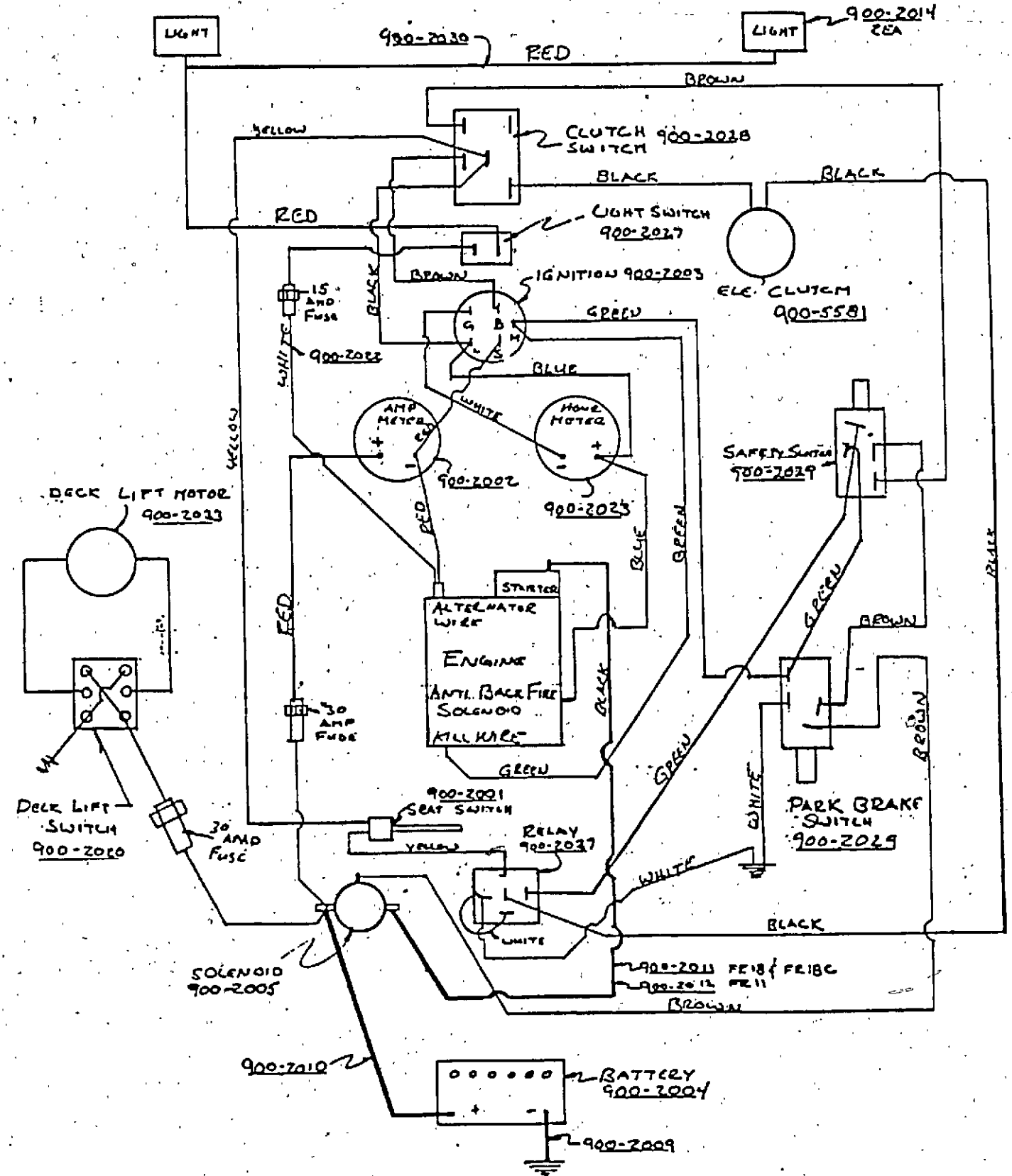
1984



WIRING HARNESS 900-2030
CLUTCH HARNESS 900-2031
LIGHT HARNESS 900-2032

WIRING DIAGRAM
(BRIGGS & STRATTON)

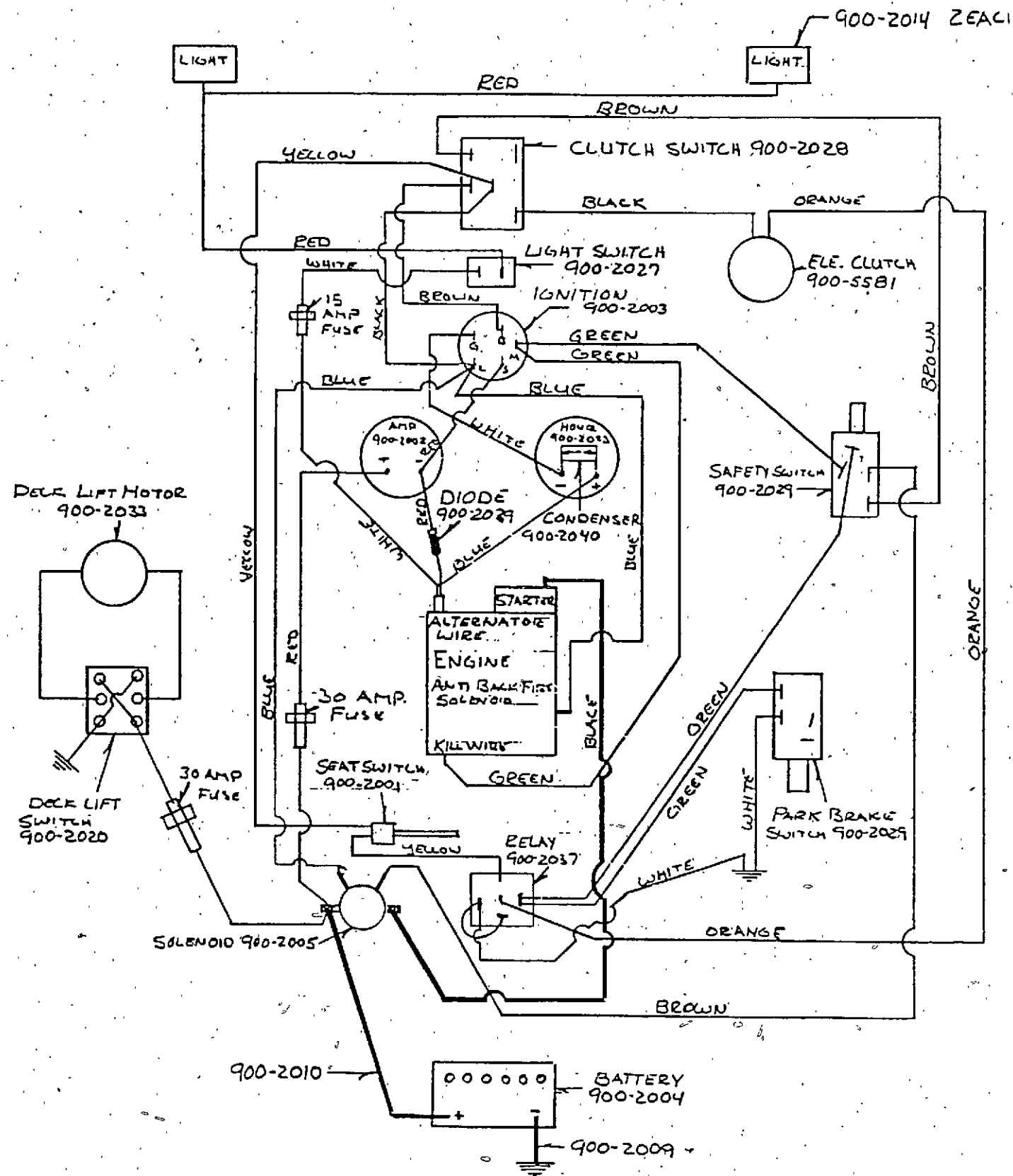
1985



WIRING HARNESS 900-2034 1100, 1600, 1800, 1600C & 1800C
1100. REQUIRES EXTENDED KILL WIRE 900-2036

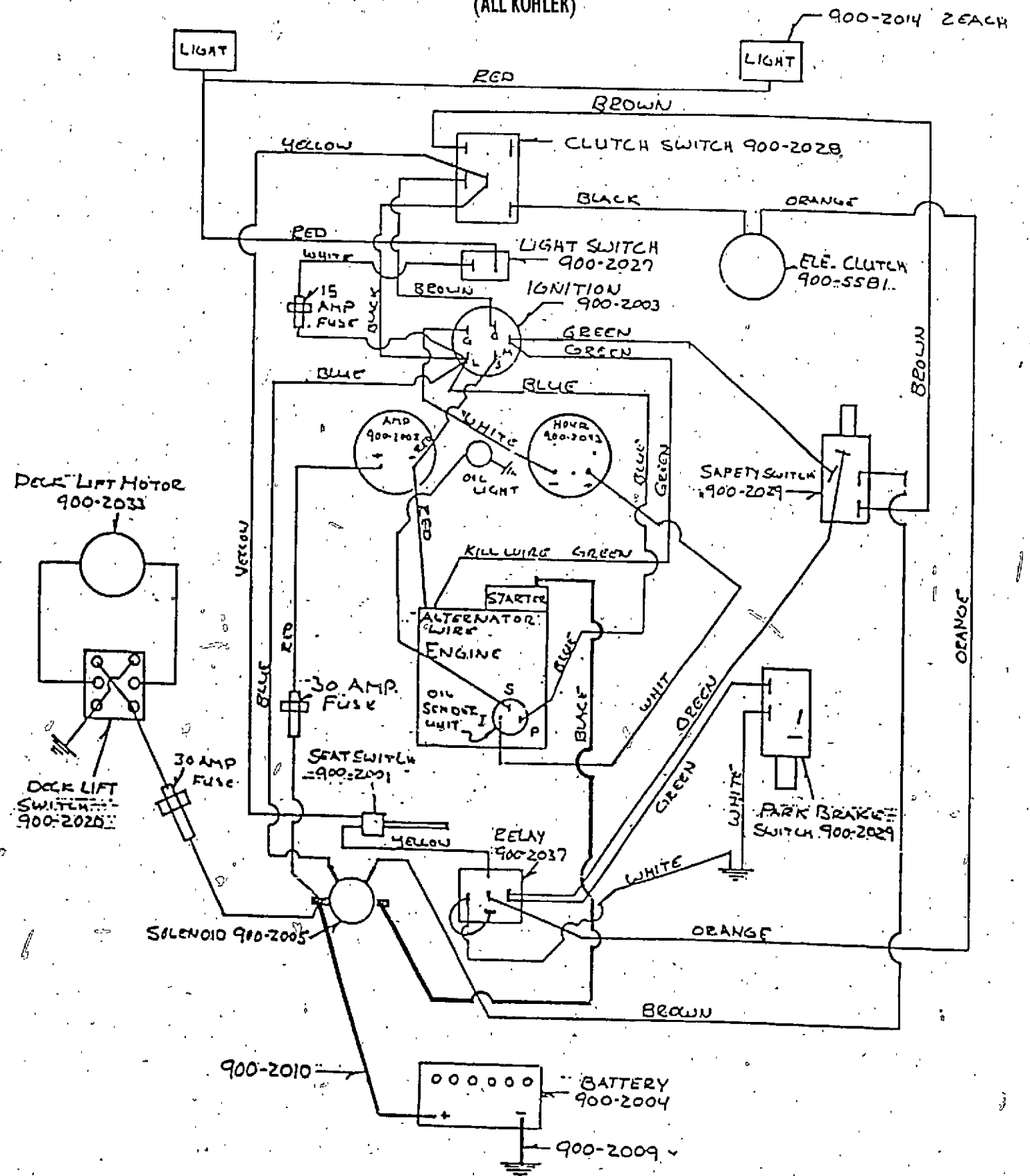
WIRING DIAGRAM
(BRIGGS & STRATTON)

1986-1988

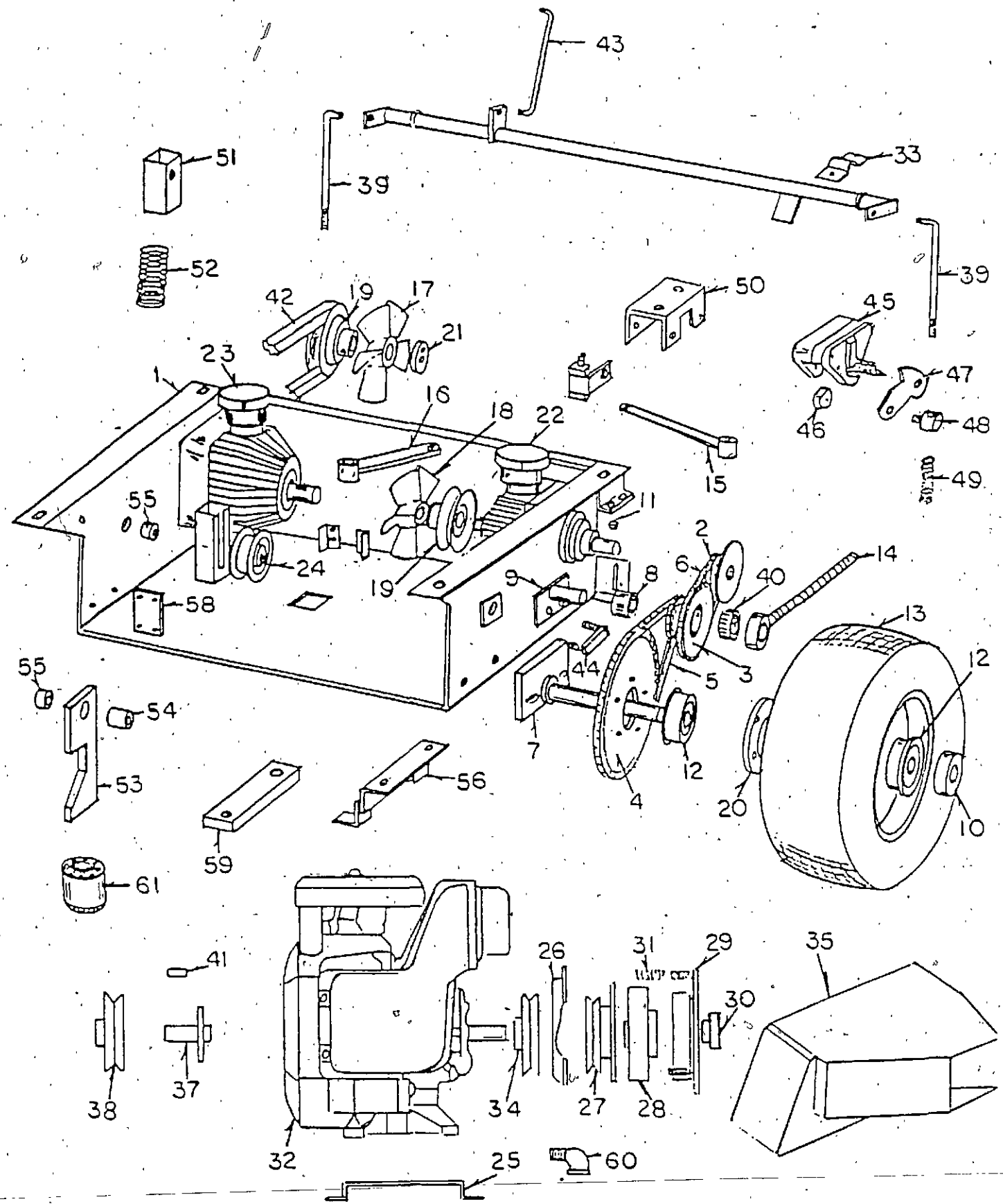


WIRING HARNESS 900 2034 USED ON 1100, 1250, 1600, 1800, 1600C & 1800C
1100 REQUIRES EXTENDED KILL WIRE 900-2036

WIRING DIAGRAM
(ALL KOHLER)



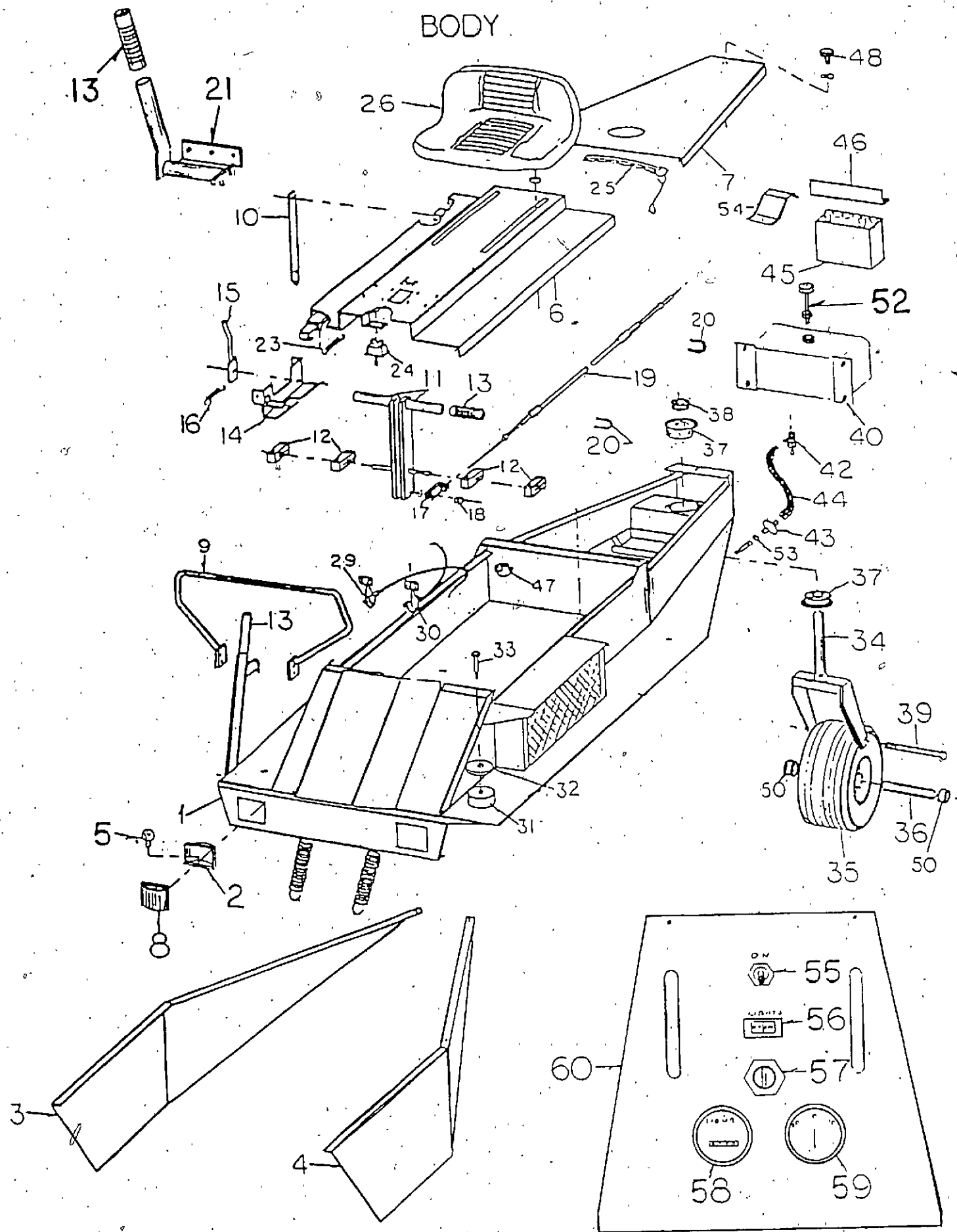
WIRING HARNESS FOR KOHLER ENGINE 900-2034



BASE

F. NO.	PART NO.	DESCRIPTION	REF. NO.	PART NO.	DESCRIPTION
1.	111-0000G	Base	32.	900-5000	Briggs/Stratton 11 HP
2.	901-1505	Sprocket w/Disc Brake	32.	900-5003	Briggs/Stratton 12.5HP
3.	901-1501	Primary Drive Sprocket	32.	900-5001	Briggs/Stratton 16 HP
		1100-1250-1600-1800	32.	900-5002	Briggs/Stratton 18 HP
3.	901-1504	Primary Drive Sprocket	32.	900-5004	Kohler 18 HP
		1600C-1800C	33.	111-0004	Brake Cross Rod
4.	901-1502	Final Drive Sprocket			Bearing
		1100-1250-1600-1800	34.	900-2527	Transmission Drive
4.	901-1503	Final Drive Sprocket			Pulley
		1600C-1800C	35.	101-0002	Air Duct 1100
5.	900-1007	Final Drive Chain	35.	111-0001	Air Duct 1250-1600-
		1100-1250-1600-1800			1800-1600C-1800C
5.	900-1010	Final Drive Chain	35.	111-0027	Air Duct 18HP Kohler
		1600C-1800C	36.	111-0017	Brake Cross Rod
6.	900-1008	Primary Drive Chain	37.	100-0013	Shaft (Briggs Only)
		100-1250-1600-1800	38.	900-2503	Engine Pulley (Briggs
6.	900-1012	Primary Drive Chain			Only)
		1600C-1800C	38.	900-2509	Engine Pulley (Kohler
7.	100-0001	Drive Wheel Axle			Only)
		1100-1250-1600-1800	39.	111-0007	Caliper Rod
7.	120-0001	Drive Wheel Axle	40.	900-3502	Long Idler Sprocket
		1600C-1800C			Bearing
8.	900-3500	Short Idler Sprocket	41.	100-0014	Key Stock
		Bearing	42.	900-3000	Transmission Belt
9.	100-0002	Idler Sprocket Shaft	43.	111-0016	Brake Rod
10.	900-5510	Drive Axle Set Collar	44.	100-0016	Bolt Bar
11.	900-4508	Transmission Key	45.	900-5587	Brake Caliper
			46.	900-5567	Brake Pad
			47.	900-5565	Caliper Lever L.H.
			47.	900-5567	Caliper Lever R.H.
			48.	111-0014	Caliper Rod Collar
13.	900-4012	Drive Wheel Assembly	49.	900-5568	Caliper Spring
		1100-1250	50.	900-5588	Caliper Bracket
13.	900-4013	Drive Wheel Assembly	51.	111-0019	Spring Loaded Idler
		1600-1800			Mount
		1600C-1800C	52.	900-5580	Spring
14.	100-0017	Support Collar	53.	111-0023	Forward Nose Down
15.	901-4506	Transmission Arm L.H.			Lock
16.	901-4507	Transmission Arm R.H.	54.	300-0013	Bushing, Long
17.	900-4500	Transmission Fan R.H.	55.	300-0013-S	Bushing, Short
18.	900-4501	Transmission Fan L.H.	56.	111-0024	Electric Clutch Stop
19.	900-2500	Transmission Pulley	57.	900-2029	Park Brake Switch
20.	900-4009	Wheel Hub 1100-1250-	58.	111-0032	Oil Filter Mount
		1600-1800			(Kohler Only)
20.	900-4010	Wheel Hub 1600C-1800C	59.	111-0030	Spacer (Kohler Only)
21.	901-4509	Transmission Washer	60.	900-5604	3/8" Elbow
22.	900-4504	Transmission L.H.	61.	900-5603	Oil Filter (Kohler
23.	900-4505	Transmission R.H.			Only)
24.	900-2501	Idler Pulley			
25.	101-0001	11 HP Adapter Plate			
26.	900-5582	Clutch Brake			
27.	900-5583	Clutch Armature			
28.	900-5584	Clutch Rotor			
29.	900-5585	Clutch Coil			
30.	111-0020	Clutch Retainer			
	900-5586	Clutch Spring			

BODY



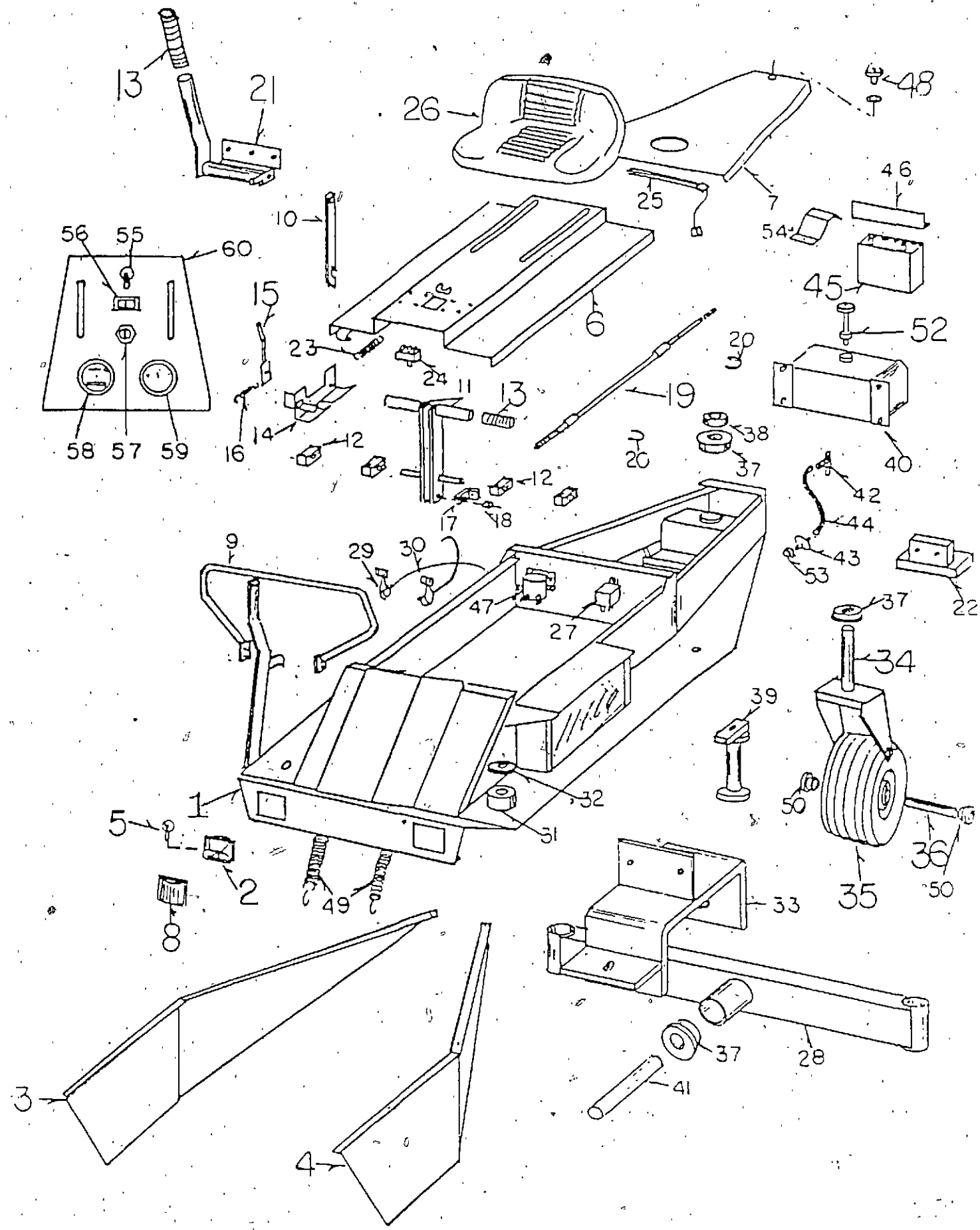
BODY 1600 & 1800

BEFORE 1986

REF. NO.	PART NO.	NO. REQ'D	DESCRIPTION
1.	201-0000	1	BODY
2.	900-2026	2	LAMP
3.	201-0008	1	FENDER R.H.
4.	201-0007	1	FENDER L.H.
5.	900-2025	2	BLUB
6.	201-0004	1	LID
7.	201-0009	1	BACK COVER
8.	900-2024	2	LENS
9.	200-0007	1	GUARD RAIL
10.	200-0008	1	LID PROP
11.	200-0009	2	STEERING LEVER
12.	200-0010	4	BEARING BLOCK, STEERING LEVER
13.	900-5500	4	HANDLE GRIP
14.	201-0010	1	LEVER LOCK
15.	200-0012	1	LATCH LEVER LOCK
16.	900-5501	1	SPRING, LEVER LOCK
17.	200-0013	4	STEERING CABLE END
18.	200-0014	4	BUSHING, STEERING CABLE END
19.	900-5502	2	STEERING CABLE
20.	900-5503	4	CLAMP, STEERING END
21.	201-0011	1	BRAKE LEVER LOCK
23.	900-5562	1	SPRING
24.	900-2029	1	SWITCH, SAFTY
25.	900-2001	1	SWITCH, SEAT
26.	900-5506	1	SEAT
29.	900-5507	1	THROTTLE CABLE
30.	900-5508	1	CHOKE CABLE
31.	900-5509	8	RUBBER BODY MOUNT
32.	200-0015	4	BODY MOUNT WASHER
33.	-----	4	BODY BOLT
34.	210-0001	1	TAIL WHEEL FORK (1600)
34.	230-0001	1	TAIL WHEEL FORK (1800)
35.	900-4014	1	TAIL WHEEL ASSEMBLY (1600)
35.	900-4017	1	TAIL WHEEL ASSEMBLY (1800)
36.	200-0017	1	AXLE, TAIL WHEEL (1600)
36.	230-0017	1	AXLE, TAIL WHEEL (1800)
37.	900-3503	2	BEARING, TAIL WHEEL FORK
38.	900-5510	1	SET COLLAR
39.	-----	1	BOLT, TAIL WHEEL
40.	900-5533	1	FUEL TANK
42.	900-5513	1	VALVE, FUEL TANK
43.	900-5514	1	FUEL FILTER
44.	900-5515	1	FUEL HOSE
45.	900-2004	1	BATTERY
46.	200-0019	1	HOLD DOWN
47.	900-8005	1	SOLENOID
48.	900-5522	1	DZUS, FASTENER
49.	900-5516	2	DECK SPRING
50.	900-3505	2	BEARING, TAIL WHEEL
51.	900-5523	4	SPACER, SEAT
52.	900-5561	1	CAP, FUEL TANK
53.	900-5525	4	CLAMP, FUEL LINE
54.	200-0021	1	BATTERY POST PROTECTOR
55.	900-2028	1	CLUTCH SWITCH
56.	900-2027	1	LIGHT SWITCH
57.	900-2003	1	STARTER SWITCH
58.	900-2023	1	HOUR METER
59.	900-2002	1	AMP. METER
60.	201-0006	1	DASH BOARD

All Chain Drives 1986 Through 1988

BODY

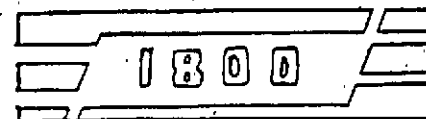


Ref. No.	Part No.	Description	Ref. No.	Part No.	Description
1.	201-0000	Body	36.	200-0017A	Tail Wheel Axle(1600-1800)
2.	900-2026	Lamp	36.	230-0017	Tail Wheel Axle(1600C-1800C)
3.	201-0008	Fender R.H.	36.	200-0017	Tail Wheel Axle(1100-1250), Dual Tail Wheel Axle
4.	201-0007	Fender L.H.	37.	900-3503	Tail Wheel Fork Bearing
5.	900-2025	Bulb	38.	900-5510	Set Collar
6.	201-0004	Lid	39.	230-0006	Dual Tail Wheel Tube Block
7.	201-0009	Back Cover	40.	900-5533	Fuel Tank
8.	900-2024	Lens	41.	230-0008	Pivot Axle
9.	200-0007	Guard Rail	42.	900-5513	Fuel Tank Valve
10.	200-0008	Lid Prop	43.	900-5514	Fuel Filter
11.	200-0009	Steering Lever	44.	900-5515	Fuel Hose
12.	200-0010	Bearing Block, Steering Lever	45.	900-2004	Battery
13.	900-5500	Handle Grip	46.	200-0019	Hold Down
14.	201-0010	Lever Lock	47.	900-2005	Solenoid
15.	200-0012	Latch, Lever Lock	48.	900-5522	Dzus Fastener
16.	900-5501	Spring, Lever Lock	49.	900-5516	Deck Spring
17.	200-0013	Steering cable end	50.	900-3505	Tail Wheel Bearing
18.	200-0014	Bushing, cable end	51.	900-5523	Seat Spacer
19.	900-5502	Steering cable	52.	900-5561	Fuel Tank Cap
20.	900-5503	Clamp, steering cable	53.	900-5525	Fuel Line Clamp
21.	201-0011	Brake lever lock	54.	200-0021	Battery Post Protector
22.	230-0002	Tail Weight	55.	900-2028	Clutch Switch
23.	900-5562	Spring	56.	900-2027	Light Switch
24.	900-2029	Safety Switch	57.	900-2003	Ignition Switch
25.	900-2001	Seat Switch	58.	900-2023	Hour Meter
26.	900-5506	Seat	59.	900-2002	Amp Meter
26.	900-5597	Delux Seat	60.	201-0006	Dash Board
27.	900-2037	Electric Clutch Relay			
28.	230-0004	Dual Tail Wheel Axle			
29.	900-5605	Throttle Cable(18HP Kohler)			
29.	900-5595	Throttle Cable(11HP Briggs)			
29.	900-5507	Throttle Cable			
30.	900-5606	Choke Cable(18HP Kohler)			
30.	900-5596	Choke Cable(11HP Briggs)			
30.	900-5508	Choke Cable			
31.	900-5509	Rubber Body Mount			
32.	200-0015	Body Mount Washer			
33.	230-0005	Dual Tail Wheel Mt.			
34.	210-0001	Tail Wheel Fork (1600)(1800)			
34.	230-0001	Tail Wheel Fork (1600C)(1800C)			
34.	200-0016	Tail Wheel Fork (1100)(1250)			
34.	230-0007	Dual Tail Wheel Fork			
35.	900-4014	Tail Wheel Assy. (1600)(1800)			
35.	900-4017	Tail Wheel Assy. (1600C)(1800C)			
35.	900-4004	Tail Wheel Assy. (1100)(1250)			
35.	900-4010	Tail Wheel Assy.			

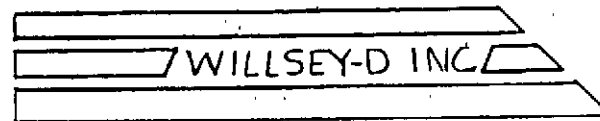
DECALS



18" LONG 900-5538
13 1/2" LONG 900-5547



900-5545 SPECIFY WHICH
MODEL NUMBER
1800 SHOWN

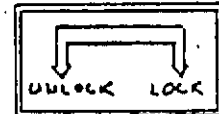


900-5537

OPERATION OF CONTROLS
 CAUTION! READ OPERATION MANUAL BEFORE OPERATING THIS MACHING
 CONTROL THE SPEED THROUGH THE USE OF TRANSMISSION CONTROL ONLY

FORWARD
NEUTRAL
REVERSE

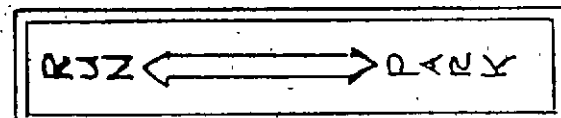
900-5541



900-5544

CAUTION
 THIS MACHING HAS AN IGNITION LOCK SAFETY SYSTEM. ALL COUNTRY BELLYS IN AN IGNITION KEY MUST BE REPLACED WITH A TAG.

900-5543



900-5548

CAUTION
 WHIRLING BLADES
 KEEP HANDS AND FEET CLEAR

900-5542

CAUTION
 DO NOT OPERATE THIS MACHING WITHOUT ENTIRE GRASS CUT OR VACUUM ASSY. FURNISHED BY THE MANUFACTURER.

900-5540

CAUTION
 WHEN THE VACUUM BLOWER IS REMOVED FROM THE MOWER DECK, REPLACE IT WITH THE DISCHARGE CHUTE.

900-5539

CAUTION
DANGER
 KEEP HANDS AND FEET AWAY

900-5549

INGERSOLL
 Ingersoll Equipment Co., Inc.