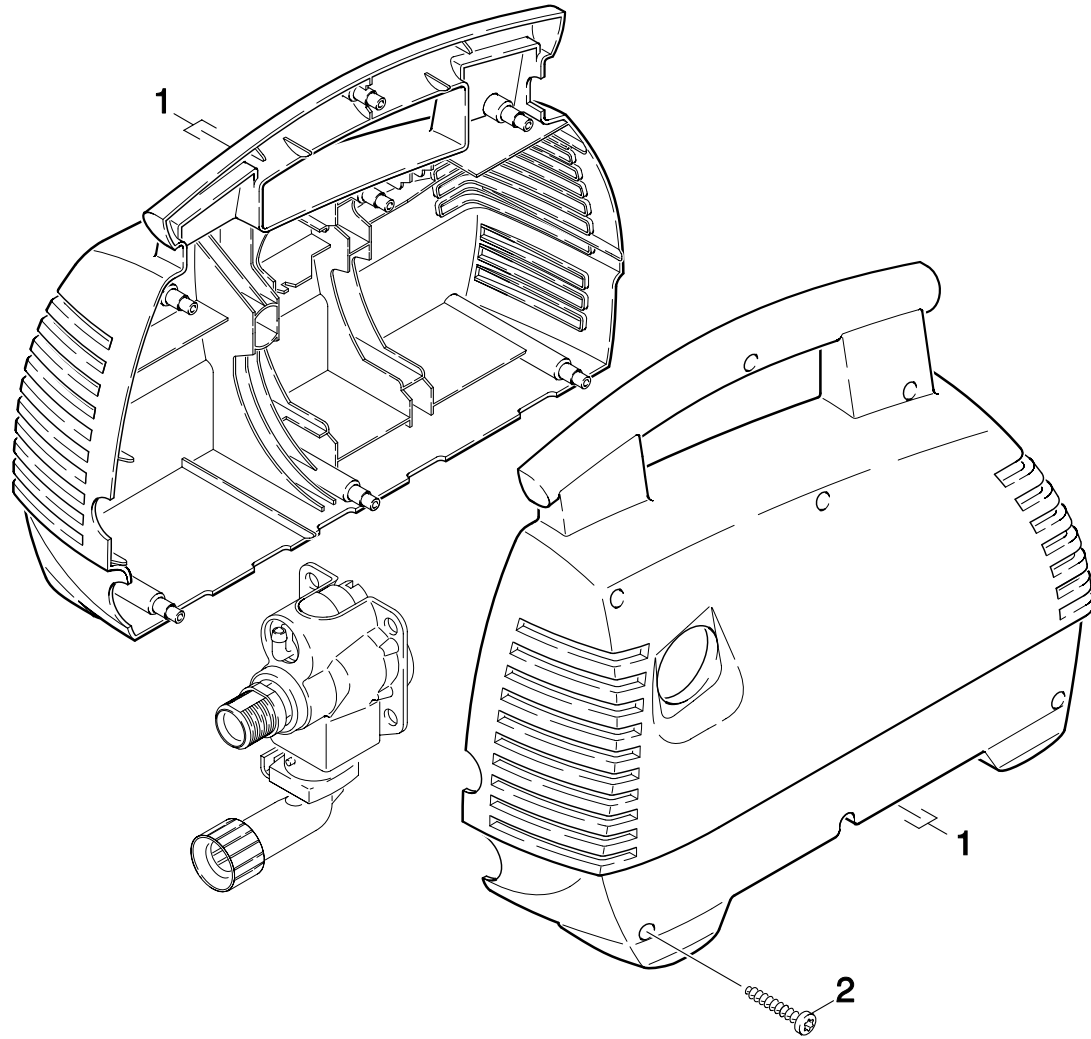


**Ersatzteilliste**  
**Spare Parts List**  
**Liste des pieces de rechange**

**1.601-103.0 K 2.93 PLUS**

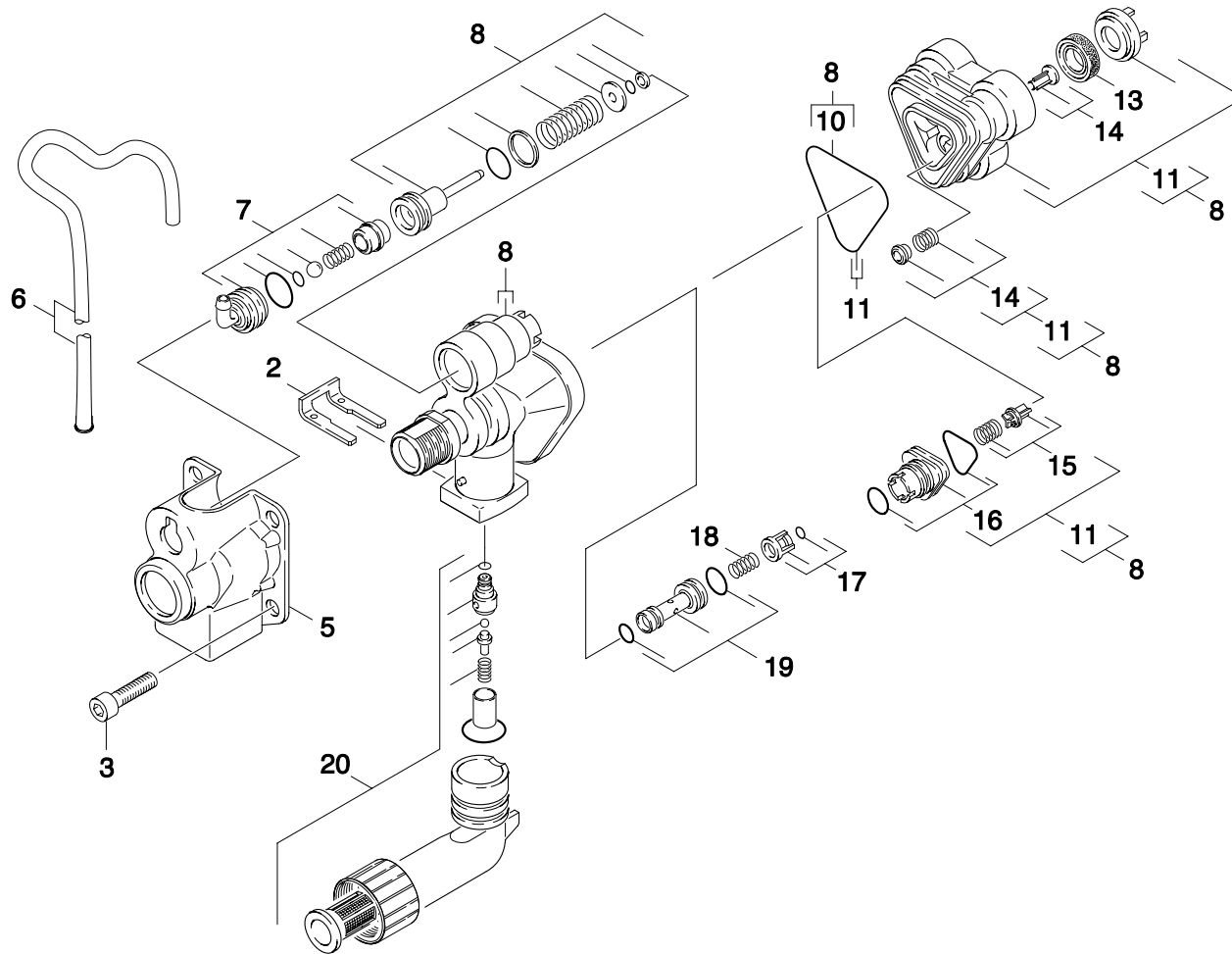




## PIECE PARTS

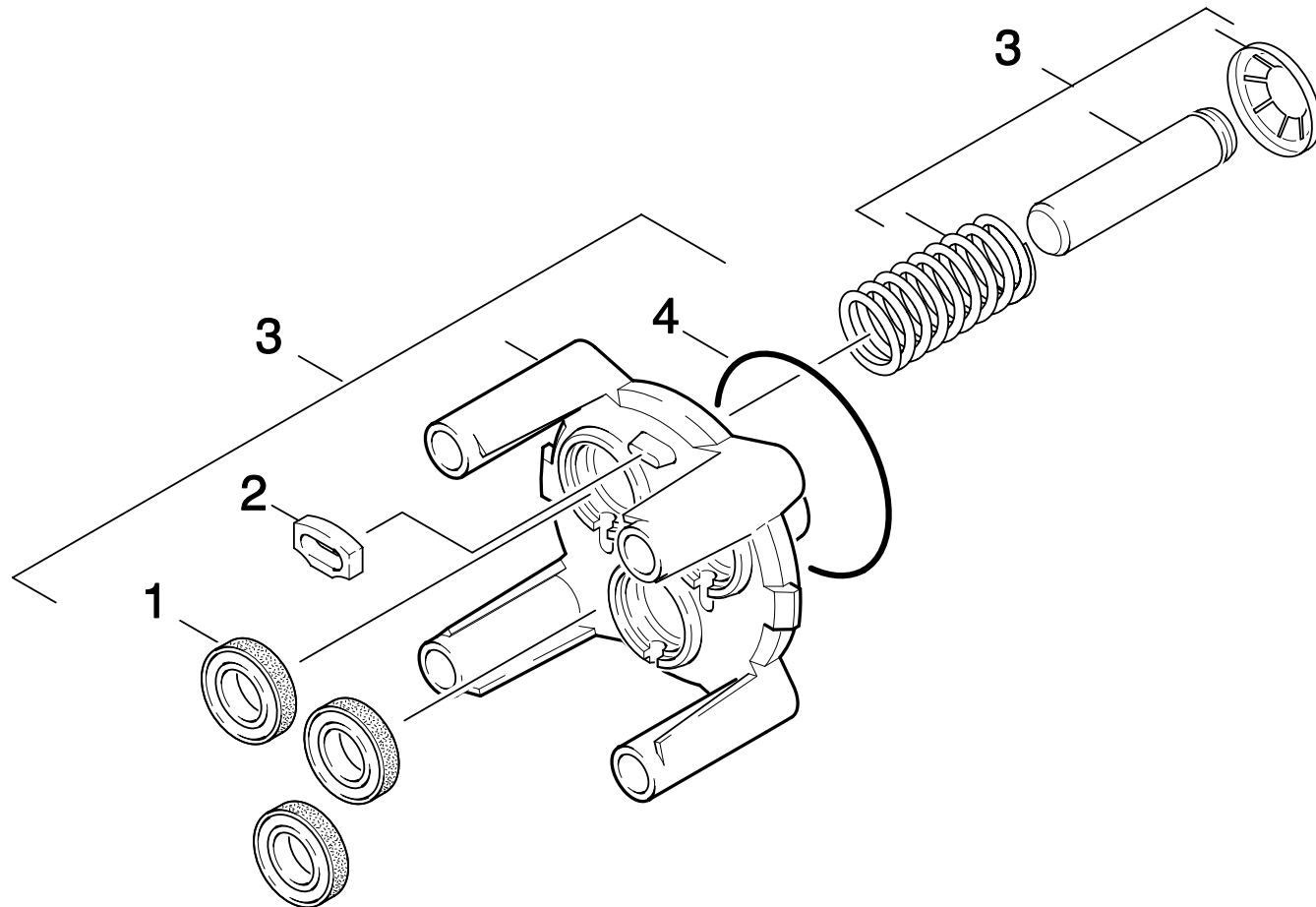
POS ITM. POS.	BENENNUNG DESCRIPTION DESIGNATION	TEILE-NR PART-NO NO. PIECE	STCK QTY. NBR	AB WERK-NR FROM SERIAL-NO TO SERIAL-NO	BIS WERK-NR
0001	HOUSING (K2.93)	9.760-051.0	1,000		
0002	SCREW HI-LO 4X22	9.086-173.0	7,000		





## HOUSING

POS ITM. POS.	BENENNUNG DESCRIPTION DESIGNATION	TEILE-NR PART-NO NO. PIECE	STCK QTY. NBR	AB WERK-NR FROM SERIAL-NO TO SERIAL-NO	BIS WERK-NR
0002	CLAMP	9.039-148.0	1,000		
0003	SCREW	9.086-200.0	4,000		
0005	PUMP FLANGE	9.039-166.0	1,000		
0006	FILTER	9.011-911.0	1,000		
0007	CLEANING MATERIAL	9.011-285.0	1,000		
0008	ET-SET	9.001-216.0	1,000		
0010	GASKET	9.081-422.0	1,000		
0011	CYLINDERHEAD SET	9.001-215.0	1,000		
0013	GROOVED RING	6.362-875.0	3,000		
0014	MOULDED PART	9.001-110.0	1,000		
0015	VALVE SET	9.001-149.0	1,000		
0016	JOINING PIECE	9.001-106.0	1,000		
0017	CAGE	9.001-107.0	1,000		
0018	SPRING	9.047-026.0	1,000		
0019	INJECTOR	9.001-108.0	1,000		
0020	SPARE PARTS SET	9.001-315.0	1,000		

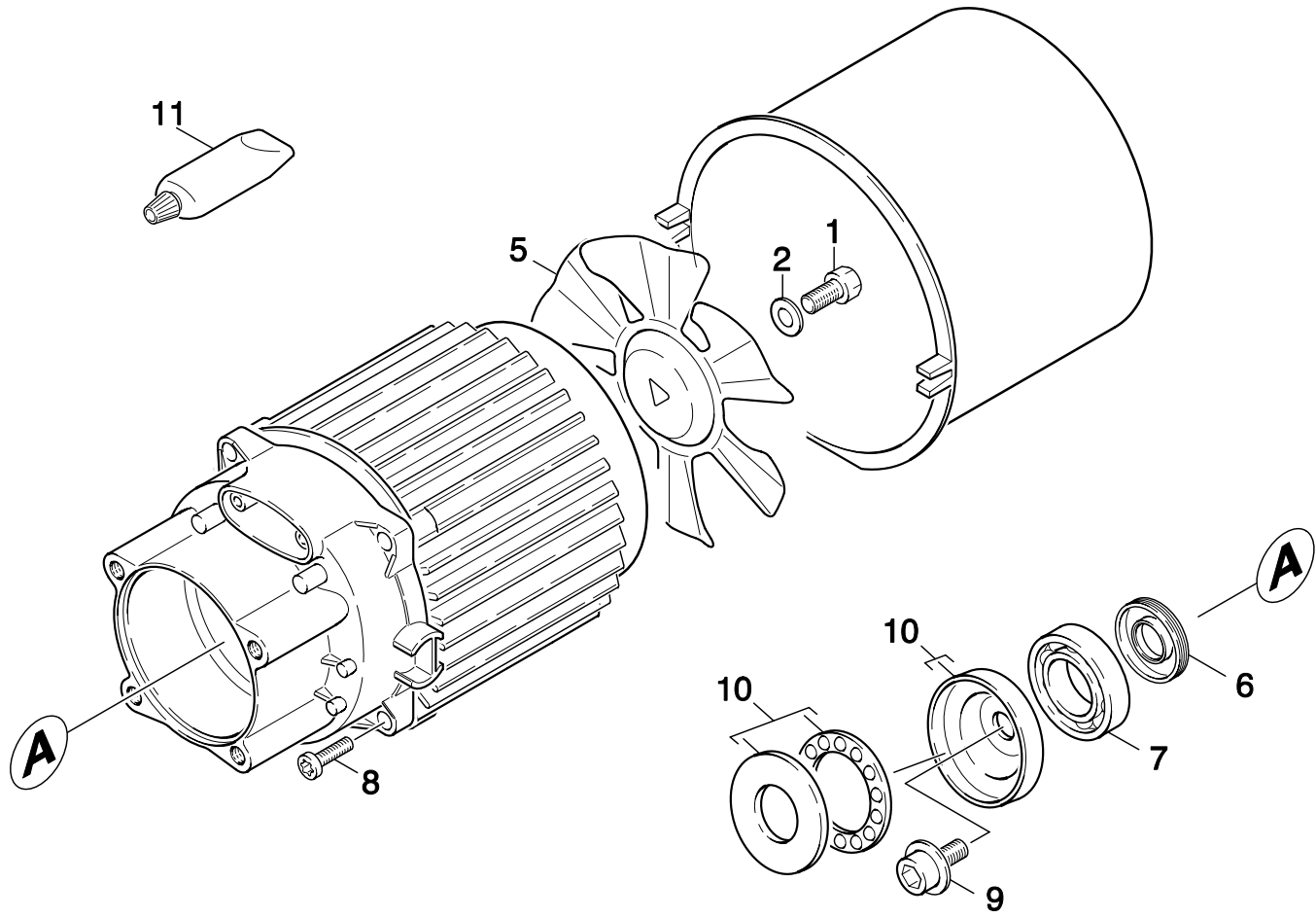




**THRUST GUIDANCE**

POS ITM. POS.	BENENNUNG DESCRIPTION DESIGNATION	TEILE-NR PART-NO NO. PIECE	STCK QTY. NBR	AB WERK-NR FROM SERIAL-NO TO SERIAL-NO	BIS WERK-NR
0001	SEAL	6.964-026.0	3,000		
0002	SPACER	9.048-071.0	1,000		
0003	PISTON GUIDANCE	9.001-251.0	1,000		
0004	O RING	6.362-826.0	1,000		

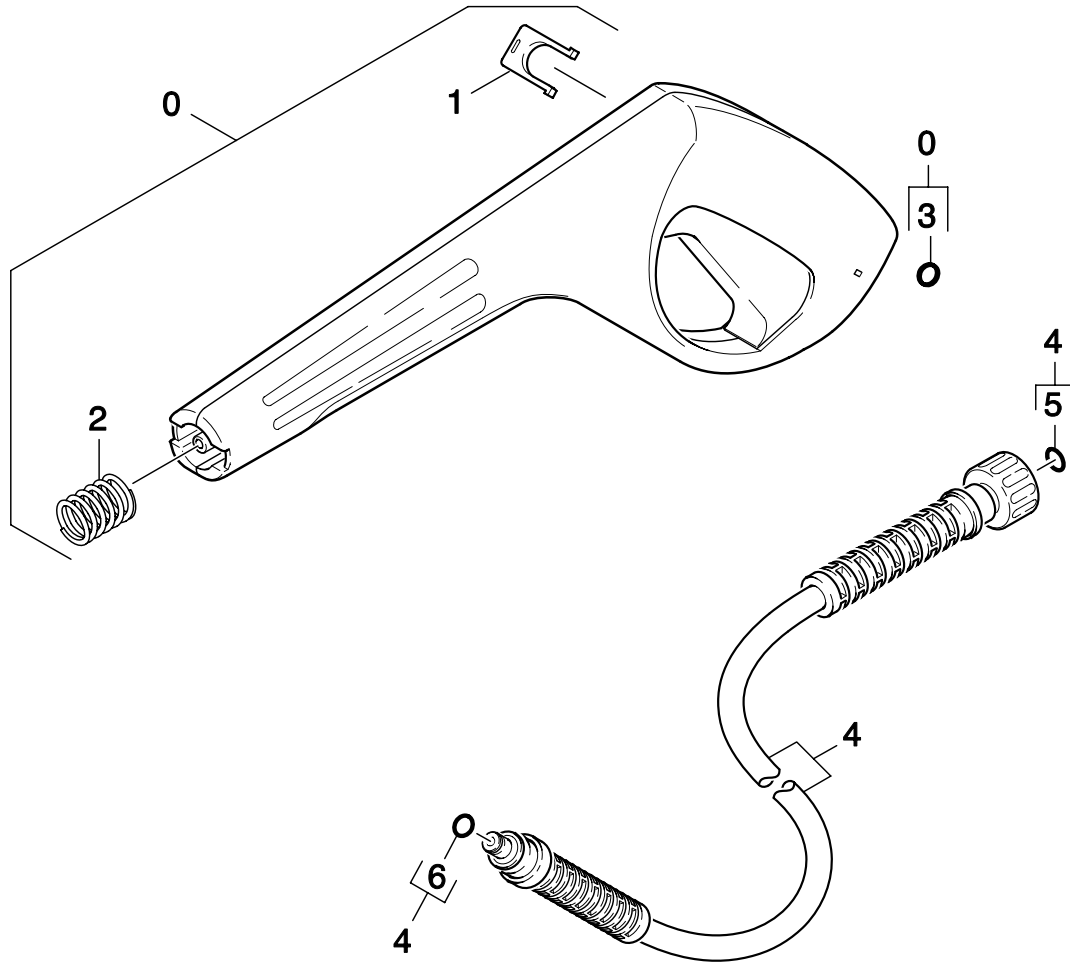




## MOTOR

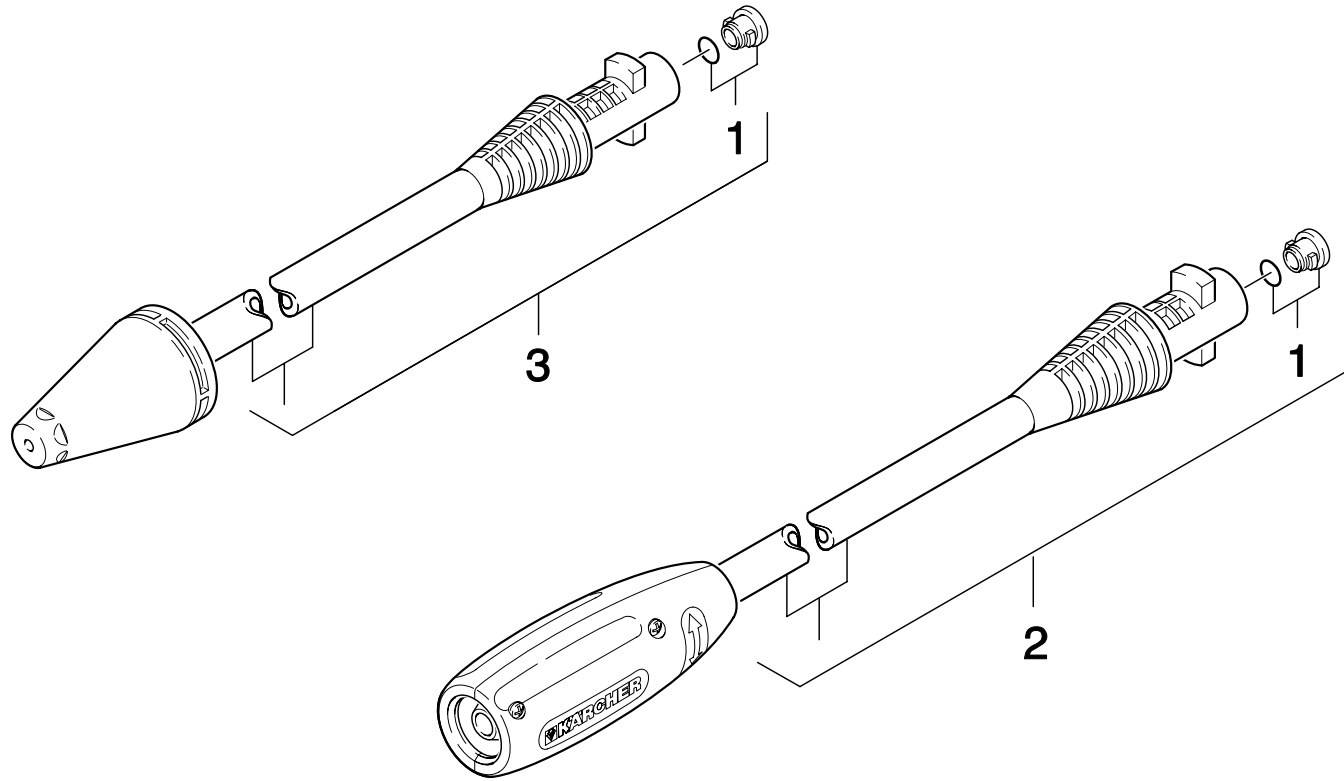
POS ITM. POS.	BENENNUNG DESCRIPTION DESIGNATION	TEILE-NR PART-NO NO. PIECE	STCK QTY. NBR	AB WERK-NR FROM SERIAL-NO TO SERIAL-NO	BIS WERK-NR
0001	HEX SCREW	7.304-395.0	1,000		
0002	SERRATED LOCK WASHER	7.312-233.0	1,000		
0005	MOTOR FAN	9.039-188.0	1,000		
0006	OIL-RING 15X24X5 NBR70 FEP02	9.078-008.0	1,000		
0007	BALL BEARING	7.401-120.0	1,000		
0008	CYLINDER HEAD KPL.	9.086-153.0	4,000		
0009	SCREW	9.086-169.0	1,000		
0010	SWASH	9.001-302.0	1,000		
0011	GREASE (50ML)	6.964-092.0	1,000		





## TRIGGER GUN

POS	BENENNUNG	TEILE-NR	STCK	AB WERK-NR	BIS WERK-NR
ITM.	DESCRIPTION	PART-NO	QTY.	FROM SERIAL-NO TO SERIAL-NO	
POS.	DESIGNATION	NO. PIECE	NBR		
0000	PISTOL	4.775-389.0	1,000		
0001	CLAMP	5.037-137.0	1,000		
0002	PRESSURE SPRING	5.332-464.0	1,000		
0003	GASKET	6.363-198.0	1,000		
0004	FLEXIBLE HOSE	6.390-871.0	1,000		
0005	SPARE PARTS KIT	2.880-296.0	1,000		
0006	GASKET	6.362-498.0	1,000		





**JET PIPE**

POS ITM. POS.	BENENNUNG DESCRIPTION DESIGNATION	TEILE-NR PART-NO NO. PIECE	STCK QTY. NBR	AB WERK-NR FROM SERIAL-NO TO SERIAL-NO	BIS WERK-NR
0001	SPARE PARTS SET	2.883-111.0	1,000		
0002	VPS K2 026	4.760-520.0	1,000		
0003	ROTARY NOZZLE	4.763-991.0	1,000		