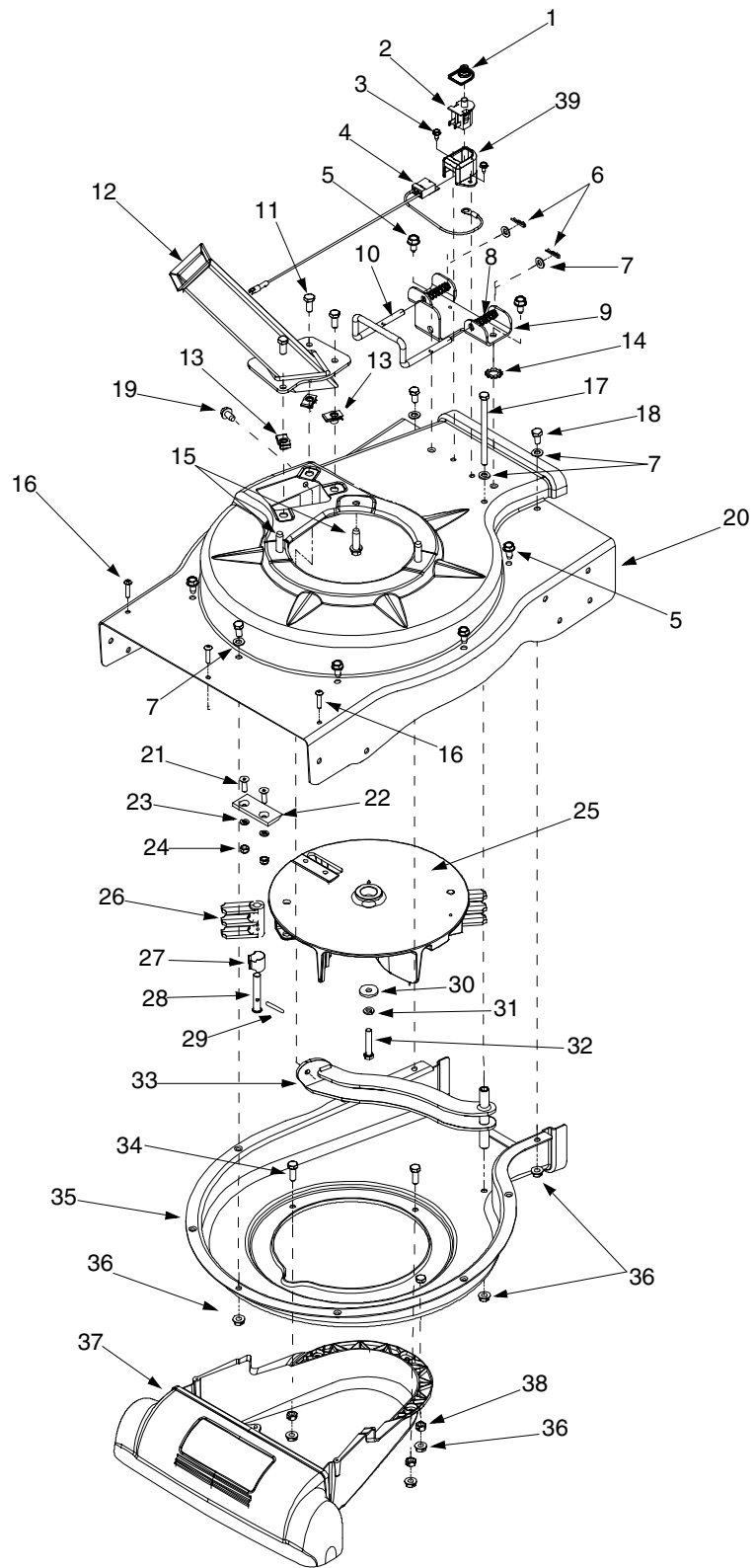


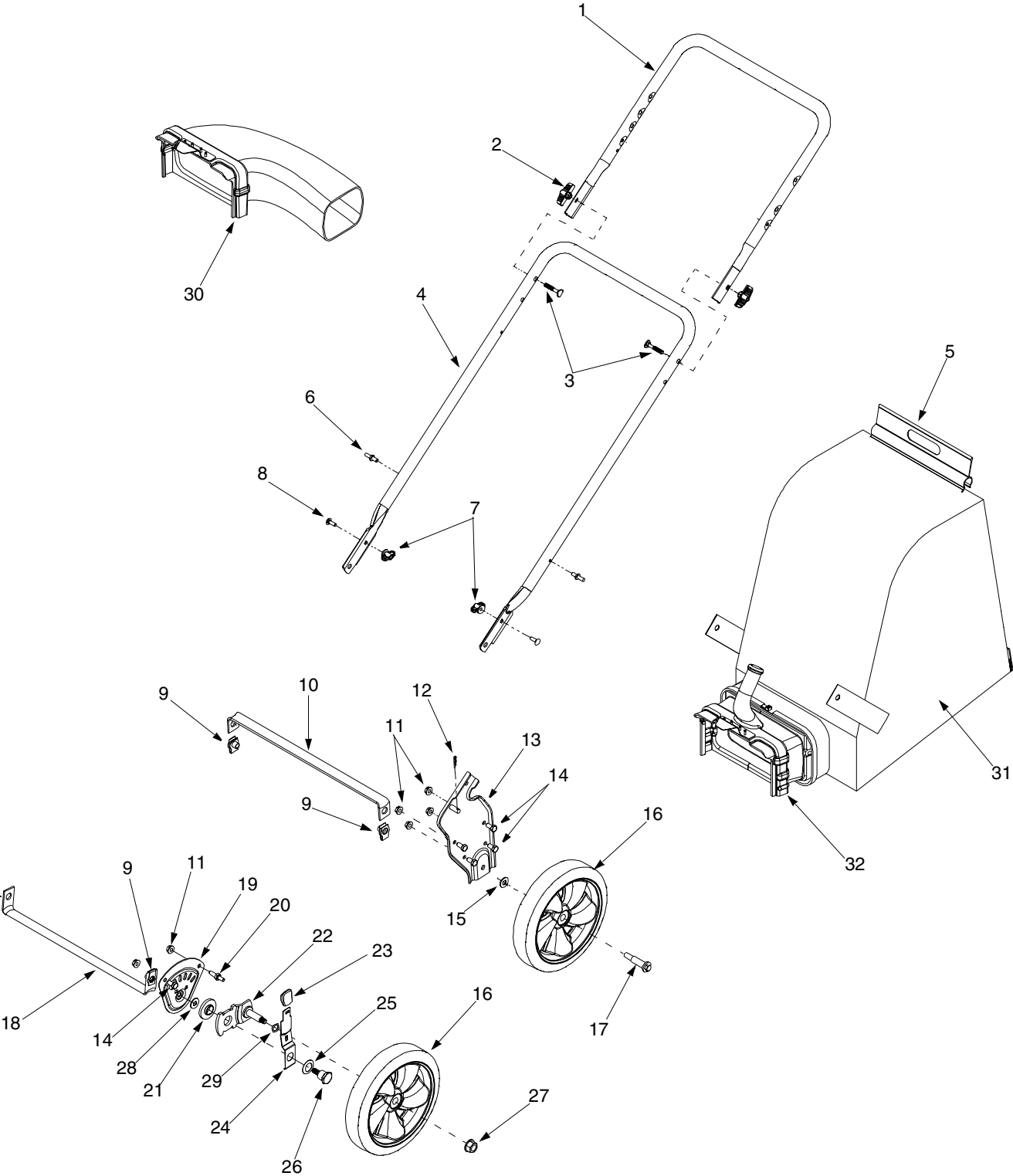
Model Series 020



Model Series 020

Ref. No.	Part No.	Part Description	Ref. No.	Part No.	Part Description
1.	725-1700	Switch Cover	21.	710-1054	Hex Screw 5/16-24 x 1.0
2.	725-3166	Safety Switch	22.	781-0490	Chipper Blade
3.	710-0224	Hex Washer Screw #10-16 x.50	23.	736-0119	Lock Washer 5/16
4.	629-0920	Wire Harness	24.	712-0411	Hex Lock Nut 5/16-24
5.	710-0604A	Hex Washer Screw 5/16-18 x.625	25.	681-0152	Impeller Assembly
6.	714-0104	Cotter Pin	26.	719-0329	Flail Blade
7.	736-0264	Flat Washer.330 ID x.630 OD	27.	781-0735	Pin Clip
8.	732-0962	Compression Spring	28.	711-1401	Clevis Pin
9.	781-0778A	Mounting Bracket	29.	715-0166	Spiral Pin
10.	747-1153	Lock Rod	30.	736-0247	Flat Washer.375 ID x 1.25 OD
11.	710-3008	Hex Cap Screw 5/16-18 x.75	31.	736-0217	Lock Washer 3/8
12.	681-0122	Chipper Chute Assembly	32.	710-0818	Hex Cap Screw 3/8-24 x 2.0
13.	726-0454	U-Clip Lock Nut 5/16-18	33.	681-0154	Screen Assembly
14.	736-0607	External Lock Washer 5/16	34.	710-3038	Hex Cap Screw 5/16-18 x.875
15.	710-0502A	Hex Washer Screw 3/8-16 x 1.25	35.	781-0721A	Lower Housing
16.	710-0969	Screw #12-16 x 1.0	36.	712-3004A	Lock Nut 5/16-18
17.	710-3195	Hex Cap Screw 5/16-18 x 4.5	37.	731-1905	Nozzle Cover
18.	710-3025	Hex Cap Screw 5/16-18 x.625	38.	712-0158	Lock Nut 5/16-18
19.	710-0604A	Hex Washer Screw 5/16-18 x.625	39.	731-1613	Safety Switch Cover
20.	781-1085	Upper Housing			

Model Series 020



Model Series 020

Ref. No.	Part No.	Part Description	Ref. No.	Part No.	Part Description
1.	749-0438D	Upper Handle	17.	738-1015	Shoulder Screw 3/8-16
2.	720-0314	Handle Knob 5/16-18	18.	781-0725A	Front Wheel Support Brace
3.	710-1174	Carriage Bolt	19.	781-0785	Height Adjustment Bracket
4.	749-0907B	Lower Handle	20.	738-1185	Stud 5/16-18 .56 x .75
5.	664-0095	Bag Assembly	21.	741-0751	Height Adjustment Bearing
6.	711-1293	Studs	22.	682-0113	Pivot Arm Assembly
7.	712-0397	Wing Nut 1/4-20	23.	720-0426	Height Adjustment Knob
8.	710-0703	Carriage Screw 1/4-20 x.75	24.	732-1026	Spring Lever
9.	726-0453	Lock U-Clip Nut 3/8-16	25.	736-0741	Bell Washer .760 ID x .25OD
10.	781-0777	Rear Wheel Support Brace	26.	738-1173	Shoulder Screw .750 ID x .625 OD
11.	712-3004A	Flange Lock Nut 5/16-18	27.	712-0431	Flange Lock Nut 3/8-16
12.	714-0104	Cotter Pin	28.	736-0314	Thrust Washer .375 ID x .70 OD
13.	681-0155	Handle Bracket Ass'y LH	29.	736-0232	Wave Washer .531 ID x .781 OD
	681-0156	Hndle Brkt Ass'y RH (Not Shown)	30.	OEM-290-012	Blower Chute Ass'y (If Equipped)
14.	710-3025	Hex Cap Screw 5/16-18 x.625	31.	764-0632	Bag
15.	736-0105	Bell Washer.401 ID x.870 OD	32.	631-0083	Chute Assembly
16.	734-1987	Wheel 8 x 8.1			