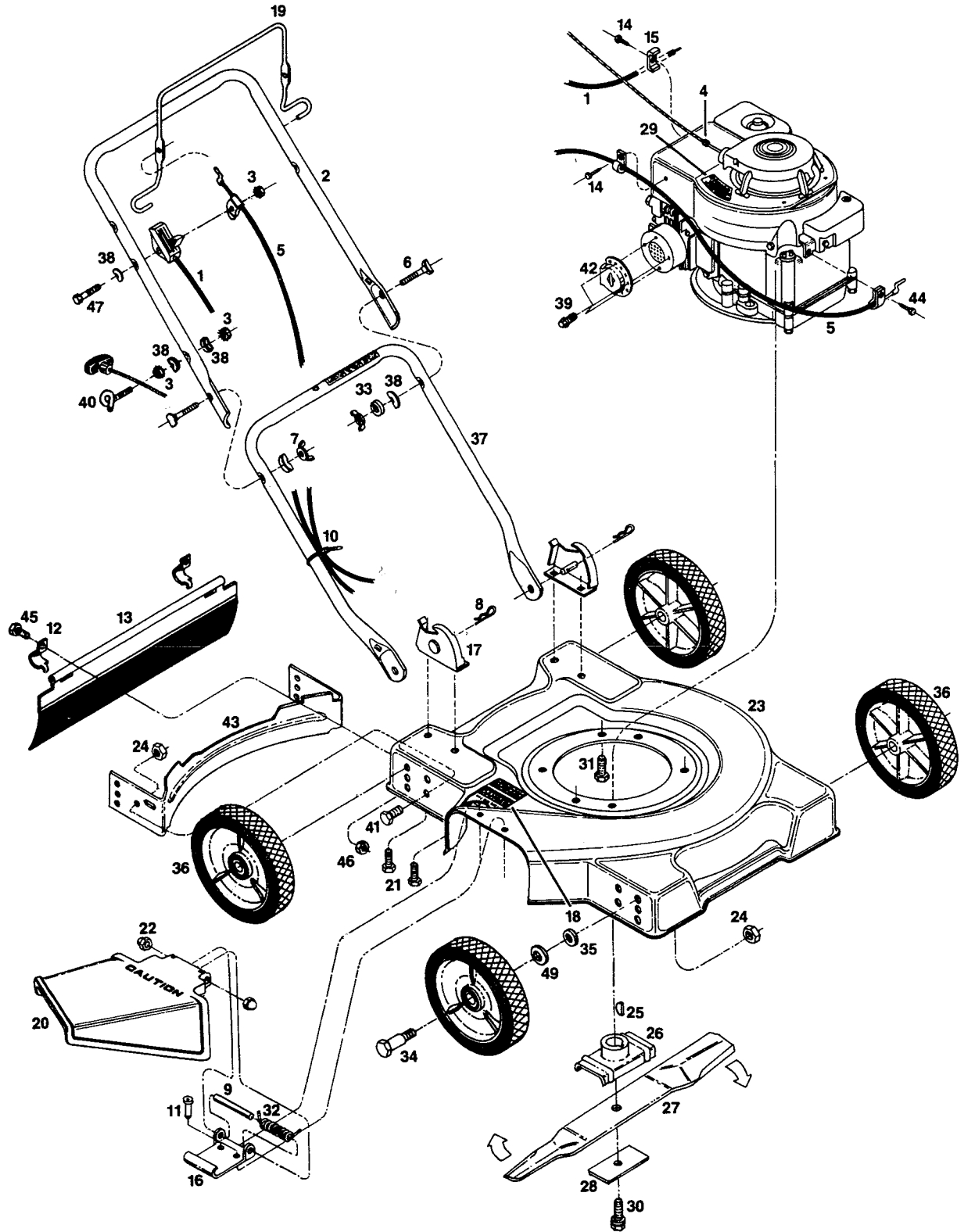


# 20" Side Discharge Rotary Mower Model: 0283E

Use: Grass Catcher Model 30-0215 (160747)  
Replacement Bag (501882)



**20" Side Discharge Rotary Mower  
Model: 0283E**

Use: Grass Catcher Model 30-0215 (160747)  
Replacement Bag (501882)

Ref. No.	JCPenney Part No.	Supplier Part No.	Description	Ref. No.	JCPenney Part No.	Supplier Part No.	Description
1	1302-0839	780536	Control-Throttle	26	1297-5801	126466	Adapter Assy.-Blade
2	1244-0087	071076	Handle-Upper	27	1302-2694	030296	Blade
3	1300-2548	715037	Nut 1/4-20 keps	28	1286-1654	106005	Spacer-Adapter
4	1308-0981	152074	Rope Stop	29	1302-2827	001461	Decal-Blade Warning
5	1324-5113	051466	Cable-Engine Control	30	1324-5030	157255	Bolt-Blade
6	1244-0004	151936	Bolt-Handle	31	1297-5793	457168	Bolt-Engine
7	1286-1555	150235	Nut-Wing	32	1304-0746	132423	Spring
8	1286-1670	715011	Hitch Pin	33	1297-6106	461665	Washer-Lock
9	1297-6288	151761	Pin	34	1277-8205	150730	Bolt-Wheel
10	1244-0012	110379	Cable Tie	35	1283-1509	715417	Washer-3/8 flat
11	1302-0805	764290	Rivet	36	1244-0061	041012	Wheel
12	1244-0020	106914	Clip	37	1244-0079	071563	Handle-Lower
13	1244-0103	111591	Trailing Shield	38	1286-1597	150201	Washer-Curved
14	1302-2678	150623	Screw-Casing	39	1302-9608	120048	Screw
15	1300-6747	150318	Clamp-Casing	40	1302-0862	152371	Eyebolt-Rope Guide
16	1138-1092	109629	Bracket	41	1302-7107	715201	Bolt 5/8-16x3/4 hex
17	1285-5565	107086	Bracket Assy.-Yoke, L.H.	42	1304-0738	133488	Deflector-Muffler
	1244-0129	107094	Bracket Assy.-Yoke, R.H.	43	1126-8471	464305	Baffle
18	1324-5253	144063	Decal-Danger	44	1297-6197	151613	Screw-Hex Head
19	1244-0038	104687	Handle-Bail	45	1072-7469	458687	Bolt 10-24x1/2 Hex
20	1138-1118	463935	Deflector	46	1159-7283	452318	Nut-10-24 Locking
21	1129-0277	457499	Bolt-1/4-20 x 1/2	47	1324-5048	153874	Bolt-1/4-20x2-1/4 Hex
22	1304-0720	151753	Nut-Acorn	48	1302-2835	156919	Lockwasher 3/8 HD
23	1244-0046	028977	Housing	49	1300-6549	715607	Washer-Belleville
24	1286-1548	451492	Nut-3/8-16 Locking			199158	Owner's Handbook
25	1286-1506	150276	Key				

**OPTIONAL ACCESSORY**

1172-2295 .....	Grass Catcher
1135-8157 .....	Replacement Bag

**NOTE: PARTS ARE RIGHT OR LEFT HAND AS VIEWED FROM THE OPERATOR POSITION  
SPECIFICATIONS SUBJECT TO CHANGE WITHOUT PRIOR NOTICE**

• INDICATES OPTIONAL EQUIPMENT