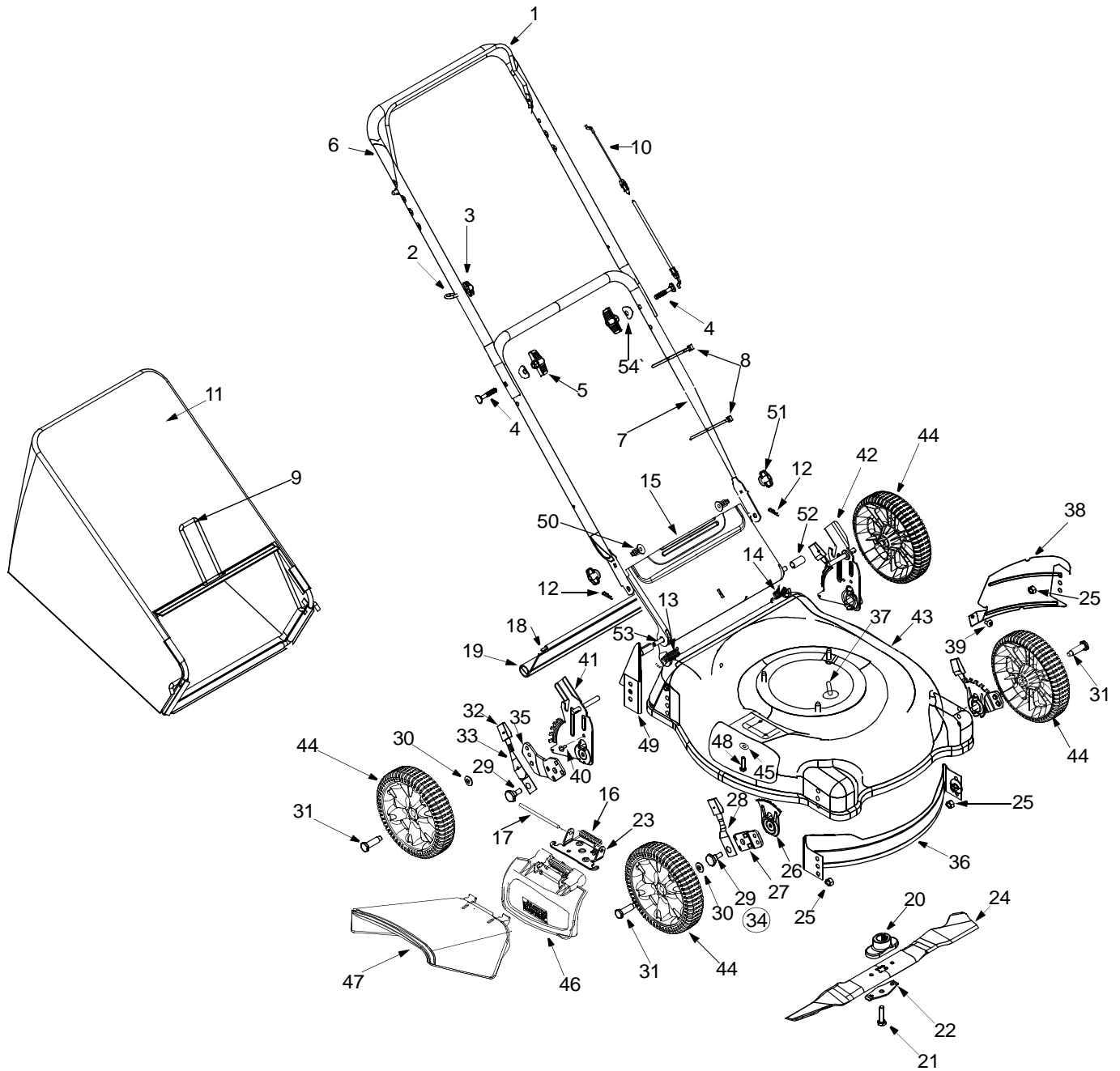


# MODEL 11A-436



# Model 436

Ref. No.	Part No.	Description	Ref. No.	Part No.	Description
1.	747-1161A	Control Handle	29.	738-0507B	Shld. Bolt.5" Dia. x.357"
2.	710-1205	Rope Guide	30.	736-0105	Bell Washer.38" I.D. x.88" O.D.
3.	720-0279	Handle Knob 1/4-20 Thd.	31.	738-0102	Axle Bolt
4.	710-1174	Curved Hd. Bolt 5/16-18 x 2"	32.	720-0426	Spring Lever Knob
5.	720-0284	Hand Knob	33.	732-0417A	Rear Spring Lever
6.	749-1092A	Upper Handle	34.	14578	Height Adj. Assy. Comp. - RH
7.	749-0928A	Lower Handle		14579	Height Adj. Assy. Comp. - LH
8.	726-0240	Cable Tie	35.	14765	Pivot Bar R.H.
9.	747-04080	Grass Catcher Frame		14766	Pivot Bar L.H.
10.	746-1130	Control Cable	36.	782-5002A	Front Baffle
11.	664-04007	Grass Bag	37.	710-0654A	Hex L-Wash.Scr. 3/8-16 x 1"
12.	714-0104	Int. Cotter Pin 5/16" Dia.	38.	782-5003	Rear Baffle - LH
13.	732-04072	Door Spring - R.H.	39.	710-1017	Torx Mach AB-Tap Scr. 1/4 x.62"
14.	732-04071	Door Spring - L.H.	40.	710-0896	HexIndWash. Scr. 1/4-14:.625
15.	731-04134	Rear Discharge Door	41.	787-01016	Handle Brkt. Ass'y.—RH
16.	732-1014	Torsion Spring	42.	787-01015	Handle Brkt. Ass'y.—LH
17.	747-0710	Hinge Pin	43.	787-01104	Deck 21"
18.	732-0700	Wire Rod	44.	734-1987	Wheel Complete
19.	731-1236	Rear Flap	45.	736-0270	Bell Washer 1/4" I.D.
20.	748-0376C	Blade Adapter w/Star	46.	687-02055	Hinged Mulching Plug
21.	710-1044	Hex Bolt 3/8-24 x 1.5" Lg.	47.	731-04177	Chute Deflector: Side Discharge
22.	736-0524A	Blade Bell Support	48.	710-0599	Hex Hd Self-Tp Scr. 1/4-20 x.5"
23.	17032A	Deflector Chute Adapter	49.	782-5004A	Rear Baffle - RH
24.	742-0741	21" Mulching Blade w/Star	50.	710-0703	Hex Carriage Screw 1/4-20
25.	712-0431	Flange Nut 3/8-16 Thd.	51.	712-0397	Wing Nut
26.	15261A	Height Adj. Plate	52.	750-04162	Spacer,.375OD x.50ID
27.	15262B	Pivot Bar	53.	747-04035	Rear Door Pivot Rod
28.	732-0404	Front Spring Lever	54.	736-0451	Shoulder Washer