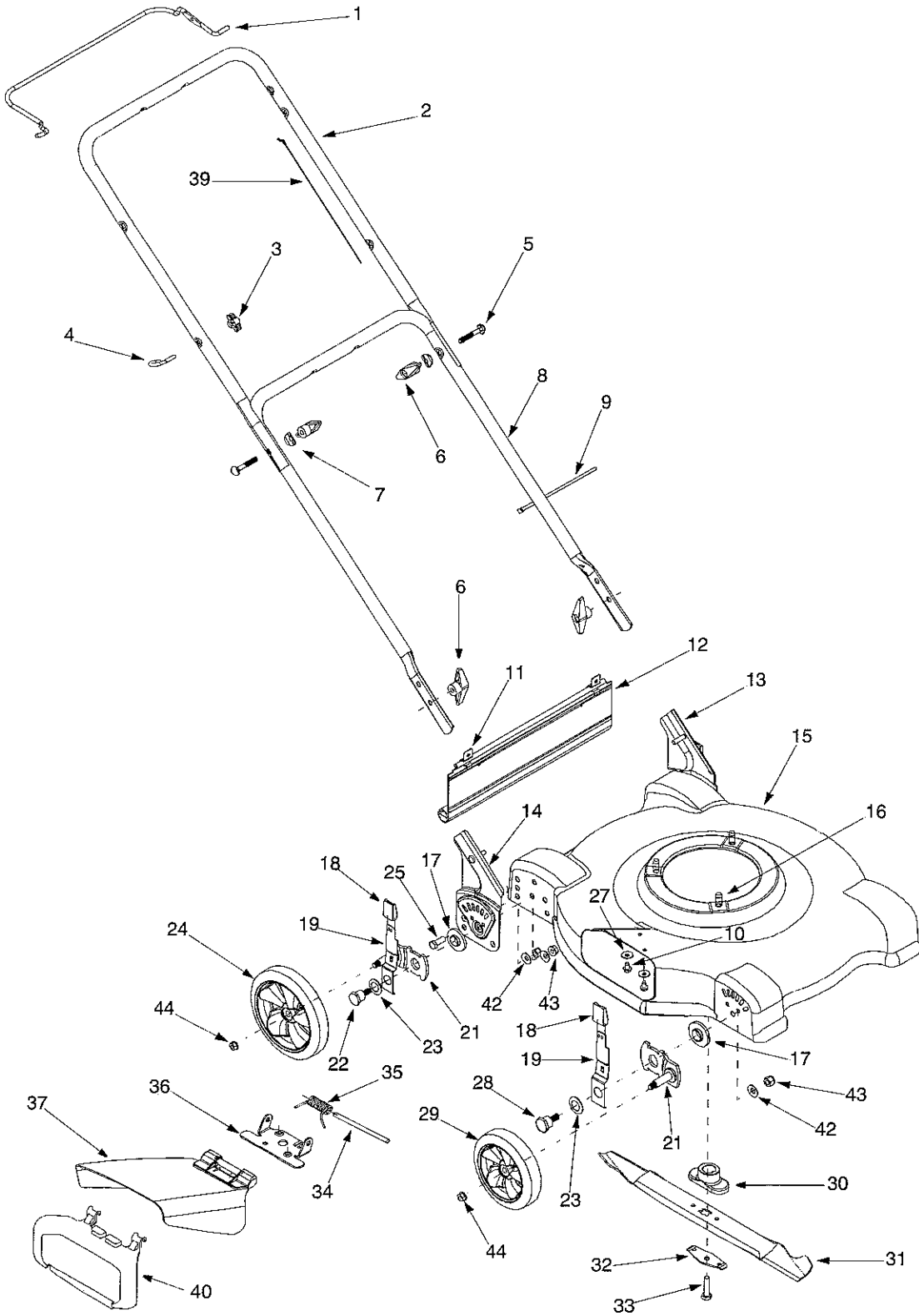


# SECTION 10: PARTS LIST FOR MODEL 084



# Model 084

Ref. No.	Part No.	Part Description	Ref. No.	Part No.	Part Description
1.	747-1161A	Blade Control Handle	22.	738-1173	Shoulder Screw
2.	749-1092A	Upper Handle	23.	736-0741	Bell Washer .760 ID x 1.25 OD
3.	720-0279	Wing Nut	24.	734-1987	Rear Wheel 8 x 1.8
4.	710-1205	Eye Bolt	25.	710-0514	Hex Cap Screw 3/8-16 x 1.0
5.	710-1174	Carriage Bolt 5/16-18 x 2.0	27.	736-0270	Bell Washer .265 ID x .75 OD
6.	720-0284	Wing Nut	28.	738-1172	Shoulder Screw
7.	736-0451	Shoulder Washer .320 ID x .93 OD	29.	734-1988	Front Wheel 7 x 1.8
8.	749-04037	Lower Handle	30.	748-0376C	Blade Adapter
9.	725-0157	Cable Tie	31.	742-0742A	Mulching Blade 22"
10.	710-0599	TT Screw 1/4-20 x 0.5"	32.	736-0524A	Blade Bell Support
11.	17098	Hinge Clip	33.	710-1044	Hex Cap Screw 3/8-24 x 1.5
12.	731-04019	Trail Shield	34.	747-0710	Hinge Pin
13.	682-3065	Handle Bracket Assembly LH	35.	732-1014	Torsion Spring
14.	682-3064	Handle Bracket Assembly RH	36.	731-1035B	Chute Hinge
15.	687-02048	Deck Assembly 22"	37.	731-1034B	Hinged Chute Deflector
16.	710-0654A	TT Screw 3/8-16 x 1.0	39.	746-0957	Blade Control Cable - 37.25"
17.	741-0751	Height Adjuster Bearing	40.	731-04197	Mulching Plug
18.	720-0426	Height Adjuster Knob	42.	736-0105	Washer Spacer .401 ID x .870 OD
19.	687-02051	Lever Assembly (includes Ref. #18)	43.	712-0130	Hex Lock Nut 3/8-16
20.	710-0216	Hex Cap Screw 3/8-16 x .75	44.	712-0431	Lock Nut 3/8-16
21.	682-0113	Pivot Arm			