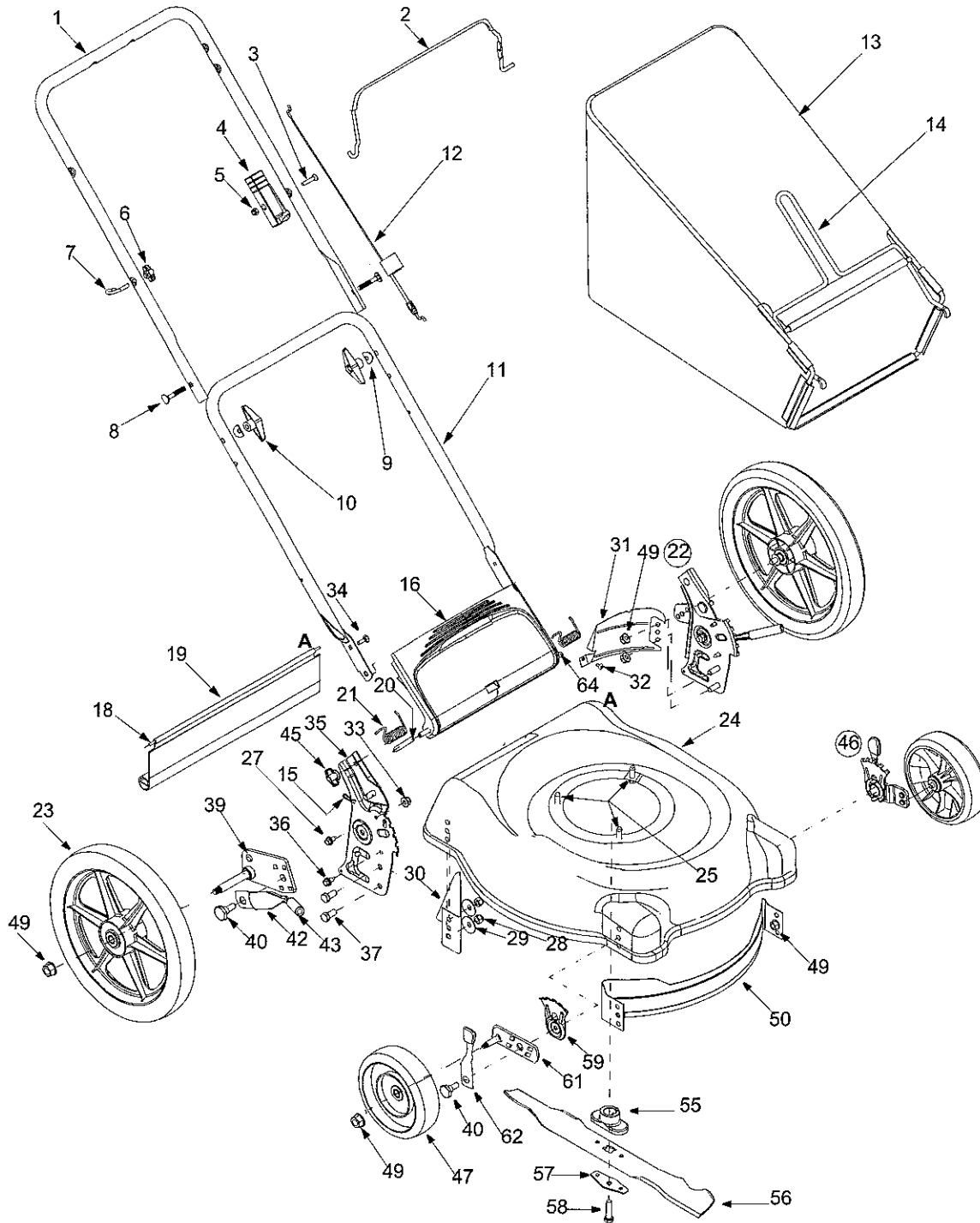


# SECTION 9: PARTS LIST FOR SERIES 580



# Series 580

Ref. No.	Part No.	Part Description	Ref. No.	Part No.	Part Description
1	749-1092A	Upper Handle	31	782-5003	Rear Baffle - LH
2	747-1161A	Control Handle	32	710-1017	Tap Screw 1/4-14 x .625
3	710-1270	C-Sunk Screw 1/4-20 x 1.3"	33	712-3005	Flange Lock Nut 3/8-16
4	746-0883	Throttle Housing	34	710-0703	Hex Carriage Screw 1/4-20
5	712-0324	Hex Lock Nut 1/4-20	35	687-02033	Handle Bracket Assembly — RH
6	720-0279	Handle Knob		687-02031	Handle Bracket Assembly — LH
7	710-1205	Rope Guide	36	710-1652	TT Screw 1/4-14 x .625
8	710-1174	Carriage Bolt 5/16-18 x 2	37	710-0216	Hex Screw 3/8-16 x 0.75
9	736-0451	Shoulder Washer .320 ID x .930 OD	38	710-0514	Hex Cap Screw 3/8-16 x 1.0
10	720-0284	Wing Nut	39	687-02039	Pivot Bar Assembly — RH
11	749-0928A	Lower Handle		687-02040	Pivot Bar Assembly — LH
12	746-0957	Control Cable 37.25"	40	738-0507B	Shoulder Screw
	746-1130	Control Cable 40"	42	732-0866	Spring Lever
	746-1137	Control Cable 53"	43	720-0312	Grip: Spring Lever
13	664-04005	Grass Bag	45	712-0397	Wing Nut
14	747-04080	Grass Catcher Frame	46	687-02074	Front Height Adjuster Assembly — RH
15	714-0104	Hairpin Clip		687-02075	Front Height Adjuster Assembly — LH
16	731-04134	Grass Bag Door	47	734-1987	Front Wheel: 8-Spoke Bar Gray 8 x 2
17	782-5007A	Rear Mulch Plug		734-2005A	Front Wheel: Zag Trd. Gray 8 x 2.125 †
18	732-0700	Wire Rod	49	712-0431	Flange Lock Nut 3/8-16
19	731-1236	Trailshield	50	782-5002A	Front Baffle
20	750-04162	Spacer 375 O.D. x 50 I.D. x 1.02"	55	748-0376C	Blade Adapter
21	732-04090	Torsion Spring — RH	56	742-0741	Blade: 21" Mulching
	732-04089	Torsion Spring — LH	57	736-0524A	Blade Bell Support
22	687-02056	Handle Bracket Assembly — RH	58	710-1044	Hex Cap Screw 3/8-24 x 1.5
	687-02057	Handle Bracket Assembly — LH	59	15261A	Height Adjustment Plate
23	734-04082	Rear Wheel: 8-Spoke Bar Gray 12 x 2	60	720-0426	Knob
	734-04093	Rear Wheel: Zag Trd. Gray 12 x 2.125 †	61	687-02077	Pivot Bar Assembly — RH
24	787-01103	Deck: 21"		687-02076	Pivot Bar Assembly — LH
25	710-0654A	Hex Washer Screw 3/8-16 x 1.0	62	732-0404	Spring Lever
26	736-0270	Bell Washer 265 ID x 75 OD	64	747-0996	Chute Door Pivot Rod
28	712-0130	Hex Lock Nut 3/8-16	66	731-1426A	Hubcap Radial Spoke Yellow † (NS)
29	736-0356	Bell Washer 390 ID x 380 OD		731-0981A	Hubcap Radial Spoke Gray † (NS)
30	782-5004A	Rear Baffle - RH			

† If equipped

(NS) Not shown on page 16

RH Right Hand

LH Left Hand