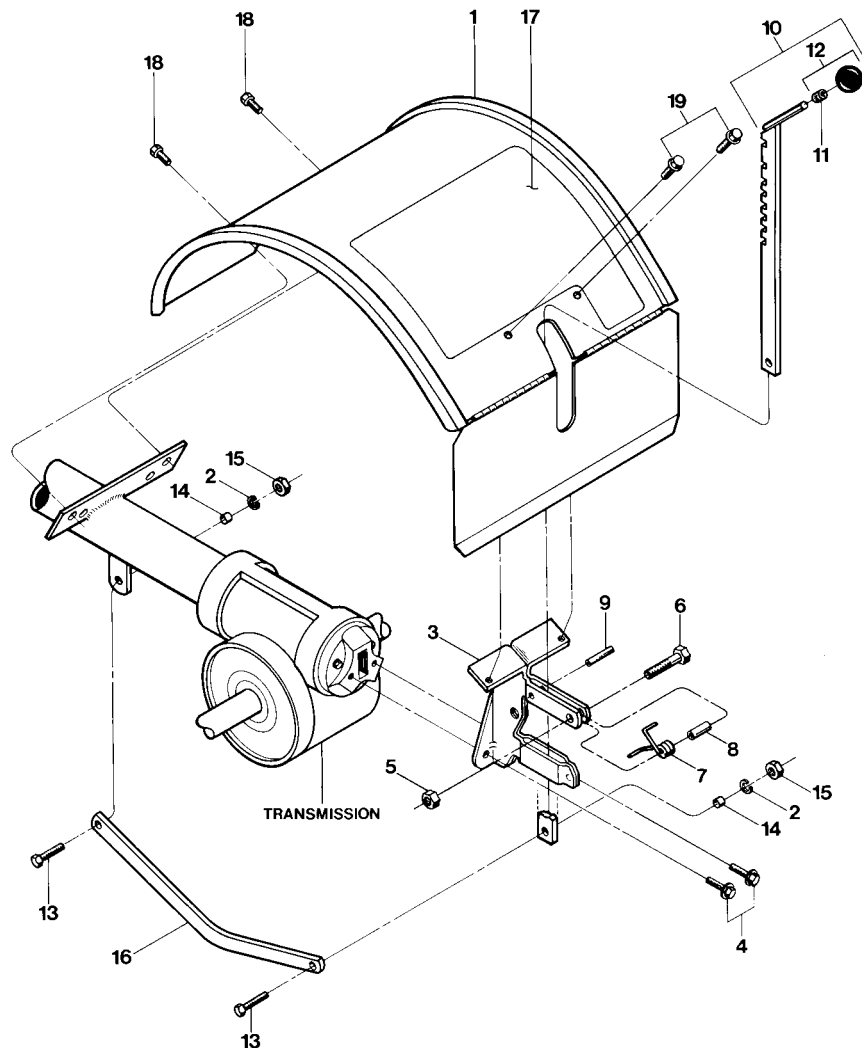


HOOD, BRACKET and DEPTH REGULATOR

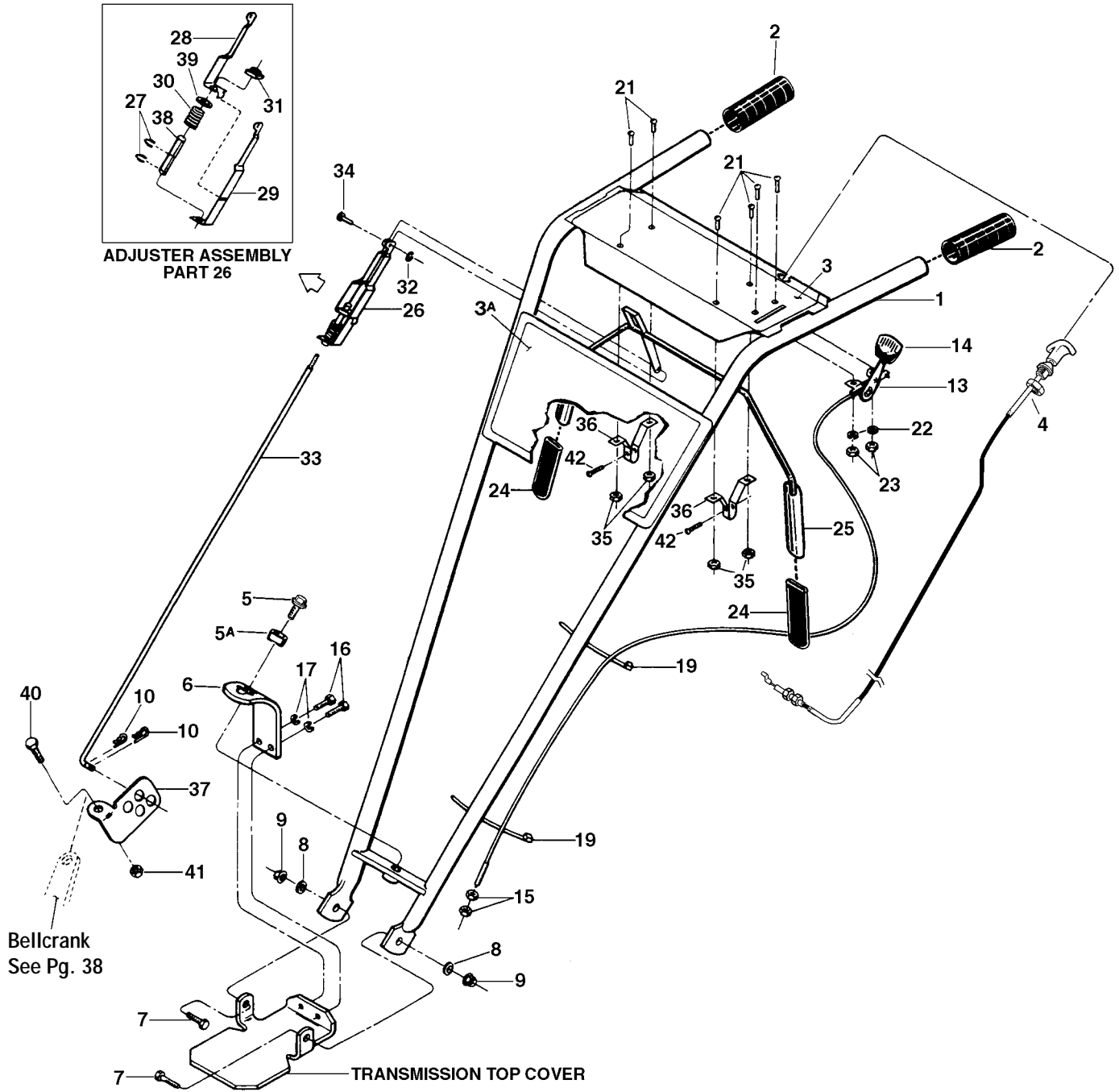


REF. No.	PART No.	DESCRIPTION	QTY.
1	1917605	Tine Hood (Incl. hood flap and Ref.17)	1
2	1100243	Lockwasher, 3/8.....	2
3	2527	Bracket-hood & depth regulator (Incl. Ref. No. 9).....	1
4	90038	Hex Flange Screw, 5/16-18 x 5/8*	2
5	9811	Hex Locknut, 1/4-20	1
6	1100069	Hex Hd. Screw, 1/4-20 x 1*	1
7	9384	Spring	1
8	9438	Spacer.....	1
9	9308	Roll Pin (spiral), 1/4 x 1	1
10	1117A	Depth Adjustment Bar Assembly (Incl. Refs. 11 and 12)	1

REF. No.	PART No.	DESCRIPTION	QTY.
11	9120	Retaining Ring (tolerance ring)	1
12	9119	Knob, Depth Regulator (Incl. Ref. 11).	1
13	1100043	Hex Hd. Screw, 3/8-16 x 1-1/4*	2
14	1113-1	Bushing, Drag Bar	2
15	1186231	Hex Nut, 3/8-16.....	2
16	20775	Drag Bar	1
17	1917536	Decal, operating instructions	1
18	9553	Hex Hd. Screw, self-tapping, 5/16-18 x 1/2*	2
19	9552	Hex Flange Screw, self-tapping, 1/4-20 x 1/2*	2

* Specify GRADE 5 if ordering part locally.

HANDLEBAR ASSEMBLY and CONTROL LEVERS

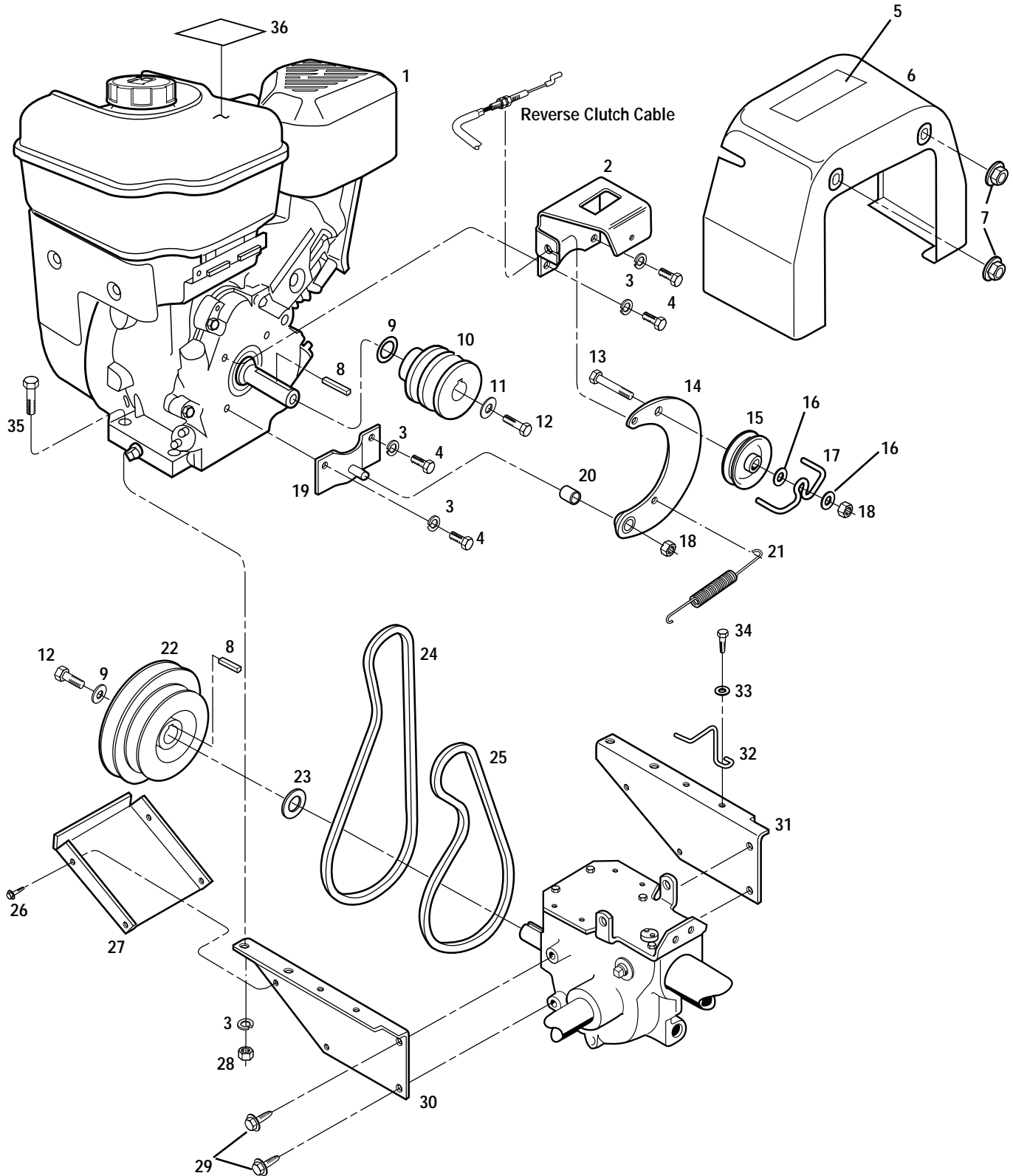


HANDLEBAR ASSEMBLY and CONTROL LEVERS

REF. No.	PART No.	DESCRIPTION	QTY.	REF. No.	PART No.	DESCRIPTION	QTY.
1	1918811	Handlebars (Incl. Refs. 2, 3 & 3A)	1	24	9390	Grip	2
2	9126	Grip	2	25	20863	Bail, Forward Clutch Control (Incl. two Ref. 24)	1
3	1918770	Decal, Control Panel	1	26	20862	Adjuster Assy. (Incl. Refs. 27, 28, 29, 30, 38 and 39)	1
3A	20924	Decal, Model Name/Logo	1	27	9532	Klip Ring	2
4	1916784	Reverse Clutch Control Cable	1	28	20808	Adjuster, Right Side	1
5	1186347	Height Adjustment Screw	1	29	20809	Adjuster, Left Side	1
5A	9955	Washer, Keyed	1	30	9059	Spring, Adjuster	1
6	1900475001	Bracket, Handlebar Height Adjustment	1	31	9522	Rectangular Nut	1
7	1100046	Hex Hd. Screw, 3/8-16 x 1*	2	32	9386	Klip Ring	1
8	9904	Washer, Plain (flat) 3/8, S.A.E.	2	33	20831	Rod, Forward Clutch	1
9	9837	Hex Locknut, 3/8-16	2	34	97083	Clevis Pin	1
10	9338	Hair Pin Cotter	2	35	9853	Sems Nut	4
13	GW-9442	Wheel Gear Control and Cable Assy. (Incl. Refs. 14, 15, 19, 21, 22 & 23)	1	36	20806	Bracket, Bail Support	2
14	9057	Knob, Wheel Gear Control Lever	1	37	20888	Swivel	1
15	1186211	Hex Nut, 5/16-24	2	38	9432	Bushing	1
16	1100068	Hex Hd. Screw, 3/8-16 x 3/4*	2	39	9973	Washer	1
17	1100243	Lockwasher, 3/8	2	40	1100805	Hex Hd. Screw, 1/4-20 x 3/4*	1
19	1735531	Cable Ties, Plastic	2	41	9811	Nut, 1/4-20	1
21	1114748	Round Hd. Screw, #10-32 x 1/2	6	42	9552	Hex Flange Screw, self-tapping, 1/4-20 x 1/2*	2
22	1100240	Lockwasher, #10	2				
23	1186208	Hex Nut, #10-32	2				

* Specify GRADE 5 if ordering part locally.

ENGINE, SUPPORT BRACKETS, PULLEYS, BELTS, BELT COVER



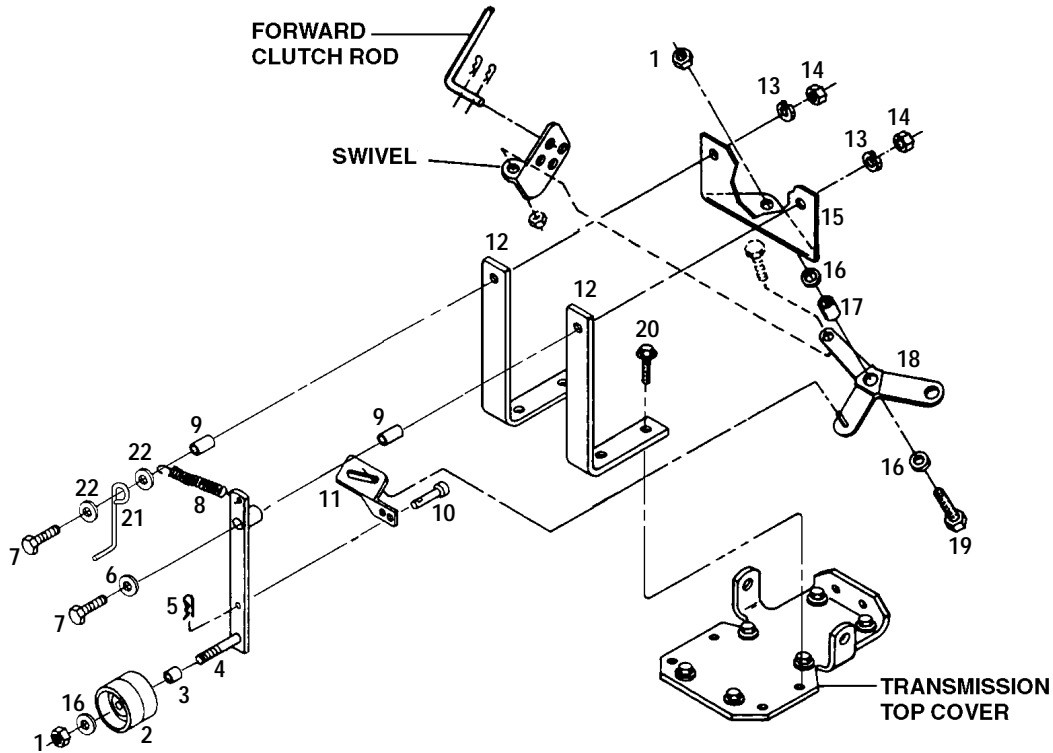
ENGINE, SUPPORT BRACKETS, PULLEYS, BELTS, BELT COVER

REF. No.	PART No.	DESCRIPTION	QTY.	REF. No.	PART No.	DESCRIPTION	QTY.
1	**	Engine – 7HP, standard recoil start	1	20	1916536	Bushing.....	1
	**	Engine – 7HP, electric start	1	21	1916728	Spring, Reverse Return.....	1
2	1917326001	Bracket, Clutch Cable	1	22	1916522	Transmission Pulley.....	1
3	1100242	Lockwasher-5/16.....	8	23	1440	Support Washer	1
4	1111696	Hex Hd. Screw, 5/16-24 x 1/2.....	4	24	1916753	Reverse Drive Belt.....	1
5	1904557	Decal, Hot Surfaces/Belt Warning	1	25	1909404	Forward Drive Belt	1
6	1917139	Cover (Incl. Ref. 5).....	1	26	1900396	Hex Hd. Screw, #10-32 x 1/2, self-tapping	4
7	1186391	Flange Lock Nut, 5/16-18.....	2	27	1916189001	Guard, Belts/Pulleys.....	1
8	1108841	Key, 3/16 x 1-1/2	2	28	1186230	Hex Nut, 5/16-18	4
9	1138-1	Shim	1	29	1186329	Hex Flange Screw, 5/16-18 x 3/4*	4
10	1916520	Pulley, Engine Drive	1	30	1916797001	Engine Support Bracket, left side	1
11	9944	Belleville Washer.....	2	31	1916796001	Engine Support Bracket, right side....	1
12	9572	Hex Hd. Screw, 5/16-24 x 1-1/8.....	2	32	1916736	Belt Guide, Wire Formed	1
13	1111606	Hex Hd. Screw, 5/16-18 x 2	1	33	1107381	Flat Washer, 1/4	1
14	1916578001	Reverse Idler Arm	1	34	9573	Hex Hd. Screw, self-tapping, 1/4-20 x 3/4*	1
15	1916535	Pulley, Reverse Idler	1	35	1100799	Hex Hd. Screw, 5/16-18 x 1-1/2.....	4
16	1107382	Flat Washer, 5/16.....	2	36	1915810	Decal, Stabilization.....	1
17	1916725	Belt Guide, Wire Formed	1				
18	1110107	Locknut, 5/16-18.....	1				
19	1916559001	Bracket, Reverse Idler	1				

* Specify GRADE 5 if ordering part locally.

** See your local authorized engine service dealer for engine parts or service. Refer to engine nameplate for engine type and code information.

FORWARD IDLER ASSEMBLY

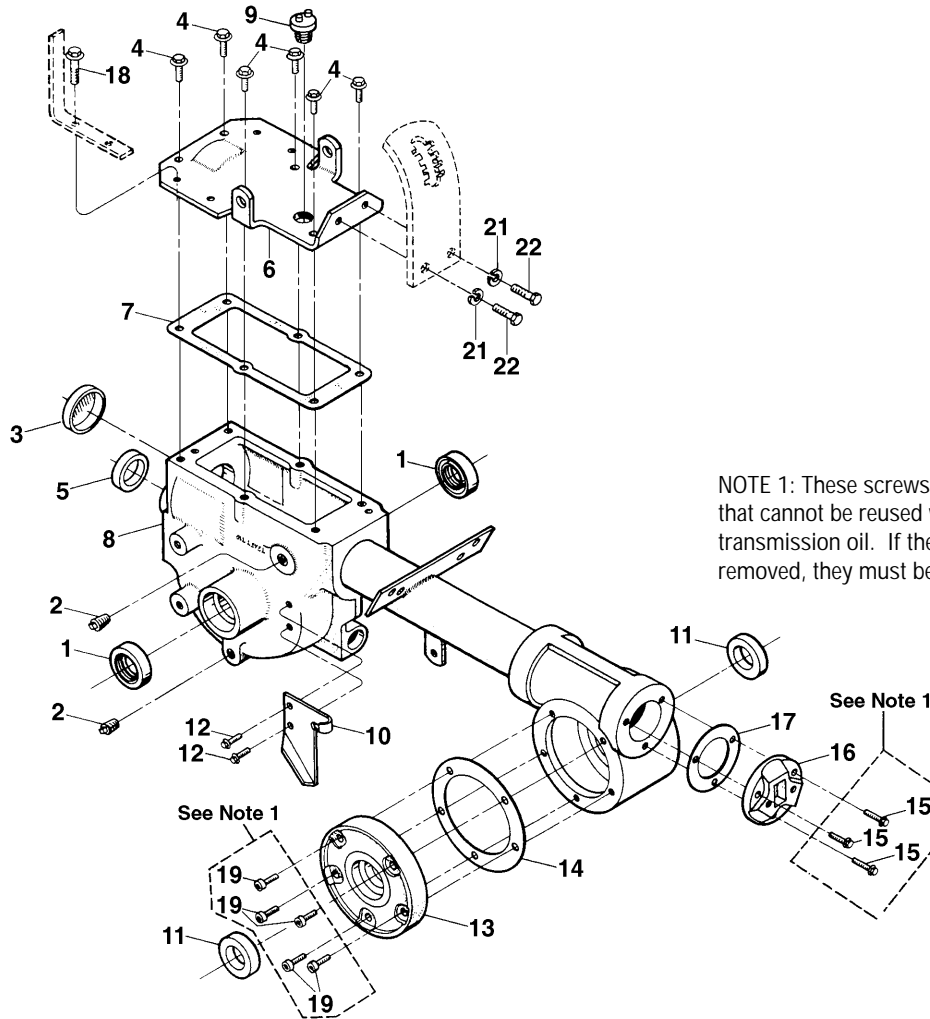


REF. No.	PART No.	DESCRIPTION	QTY.
1	1110108	Hex Locknut, 3/8-16	2
2	9090	Idler Pulley, Forward	1
3	20532	Spacer.....	1
4	1916192001	Left Idler Arm, forward tiller direction	1
5	9338	Hairpin Cotter.....	1
6	20545	Plain Washer, 5/16.....	1
7	1111607	Hex Hd. Screw, 5/16-18 x 2-1/4*	2
8	1916727	Spring	1
9	55088	Pivot Bushing.....	2
10	9340	Pin	1
11	20517-01	Forward Link	1

REF. No.	PART No.	DESCRIPTION	QTY.
12	1916194001	Mounting Bar	2
13	1100242	Lockwasher, 5/16.....	2
14	1186230	Hex Nut, 5/16-18.....	2
15	1916195001	Shifting Base.....	1
16	20553	Spacer (Bushing)	3
17	20532	Bushing (Bellcrank).....	1
18	1916196001	Bellcrank	1
19	1100043	Hex Hd. Screw, 3/8-16 x 1-1/4*	1
20	1186331	Hex Flange Screw, 5/16-18 x 1	1
21	1720717	Belt Guide, Wire Formed, Fwd Belt.....	2
22	1107382	Flat Washer, 5/16'	2

* Specify GRADE 5 if ordering part locally.

TRANSMISSION HOUSING, COVERS, SEALS, GASKETS, PLUGS

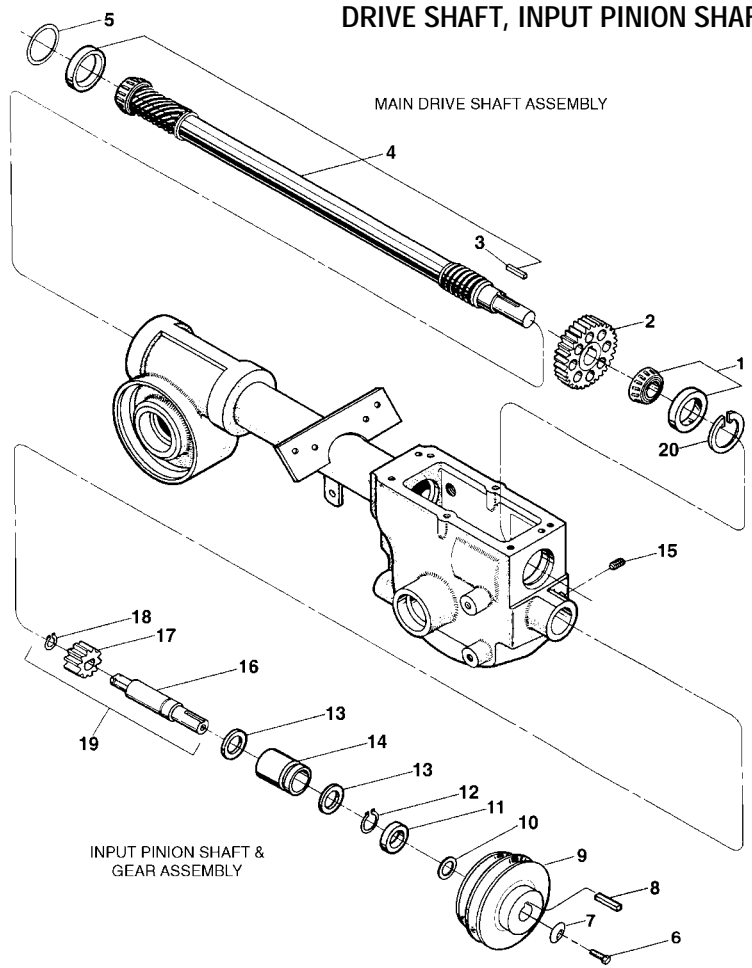


NOTE 1: These screws are a special sealing screw that cannot be reused without risking the loss of transmission oil. If these screws are loosened or removed, they must be replaced with new screws.

REF. No.	PART No.	DESCRIPTION	QTY.	REF. No.	PART No.	DESCRIPTION	QTY.
1	9621	Oil Seal (Double Lip), Wheel Shaft	2	14	1129-1	Gasket, Tiller Housing Cover, .010" (fits all covers)	A/R
2	9726	Pipe Plug, 1/4,	2	15	1915089	Screw Kit: Incl. three 1/4-20 x 7/8 Self-Sealing Screws	A/R
3	97076	Seal, Transmission Bore	1	16	1115	Rear Bearing Cap	1
4	1186329	Hex Flange Screw, 5/16-18 x 3/4*	6	17	1124-2	Gasket, Rear Bearing Cap, .010" Thick	A/R
5	85030	Oil Seal, Input Pinion Shaft	1	18	1186331	Hex Flange Screw, 5/16-18 x 1*	4
6	11513	Transmission Cover (Incl. four Ref. 18 and two ea. Refs. 21 & 22).....	1	19	1915087	Screw Kit: Incl. five 1/4-20 x 5/8 Self-Sealing Screws	A/R
7	20694	Gasket, Transmission Top Cover	1	21	1100243	Lockwasher, 3/8.....	2
8	1916197001	Transmission Case Assy. (Incl. Tube and Rear Housing)	1	22	1100068	Hex Hd. Screw, 3/8-16 x 3/4*	2
9	9467	Plug	1				
10	1916198001	Mounting Plate, Wheel Drive Cable	1				
11	97073	Oil Seal, Tiller Shaft.....	2				
12	90038	Hex Flange Screw, 5/16-18 x 5/8*	2				
13	1916273001	Tiller Housing Cover, left side	1				

* Specify GRADE 5 if ordering part locally.

A/R – As Required



REF. No.	PART No.	DESCRIPTION	QTY.
MAIN DRIVE SHAFT			
1	1714	Bearing, Tapered Roller with Race	1
2	20718	Spur Gear	1
3	9301	Key, 3/16 sq. x 1	1
4	11603	Main Drive Shaft (Drive shaft is one-piece with integral, single-lead, work-hardened front worm, and integral, six-lead, work-hardened rear worm. Also includes pressed-on #1714 bearing and #9301 key).	1
5	1224-1	Shim, Rear Bearing Cap, .010" thick (see Note below)	A/R
5	1224-2	Shim, same as above, but .030" thick (see Note).....	A/R
5	1224-3	Shim, same as above, but .005" thick (see Note).....	A/R
...	1325C	Shim Set (Incl. two #1224-1; two 1224-2 and one #1224-3)	A/R

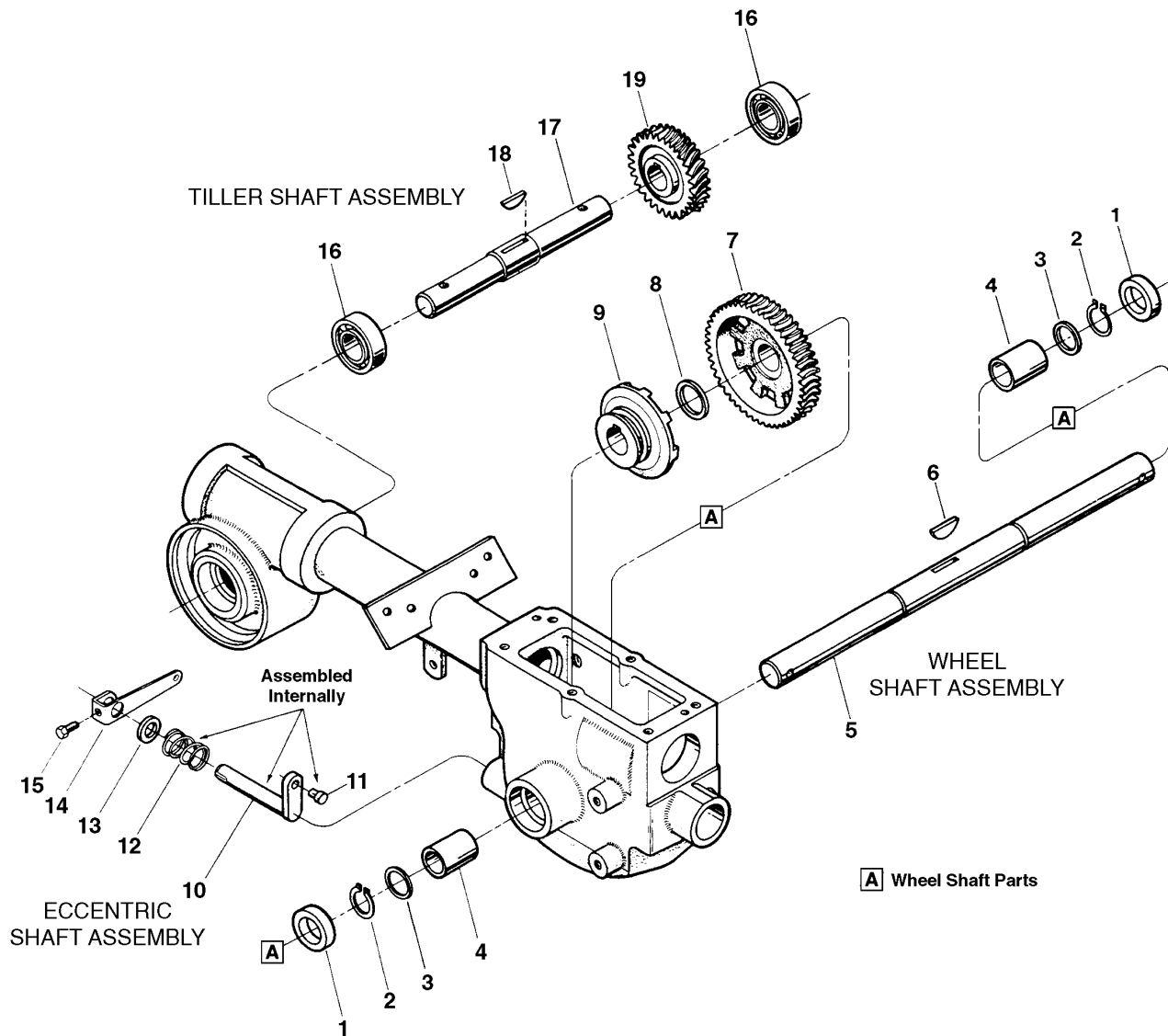
REF. No.	PART No.	DESCRIPTION	QTY.
INPUT PINION SHAFT & GEAR ASSEMBLY			
6	9572	Hex Hd. Screw, 5/16-24 x 1-1/8*	1
7	9944	Washer, Disc Spring (concave surface faces pulley).....	1
8	1108841	Key, 3/16 sq. x 1-1/2	1
9	20880	Transmission Drive Pulley.....	1
10	1440	Support Washer	1
11	85030	Oil Seal, Input Pinion Shaft.....	1
12	9500	Retaining Ring (external)	1
13	9953	Thrust Washer.....	2
14	9428	Bushing.....	1
15	9677	Set Screw, 5/16-18 x 3/8*	1
16	20791	Input Pinion (steel shaft)	1
17	20792	Input Pinion Gear	1
18	9093	Retaining Ring (external) I.....	1
19	20799	Pinion Assy. (Incl. one each Refs. 16, 17 and 18	A/R
20	9517	Retaining Ring (internal)	1

NOTE: Shim between drive shaft rear bearing and rear bearing cap to achieve 5-to-10 thousandths of an inch (.005-.010) end play on drive shaft.

A/R - As Required

* Specify GRADE 5 if ordering part locally.

WHEEL SHAFT, ECCENTRIC SHAFT and TILLER SHAFT ASSEMBLIES



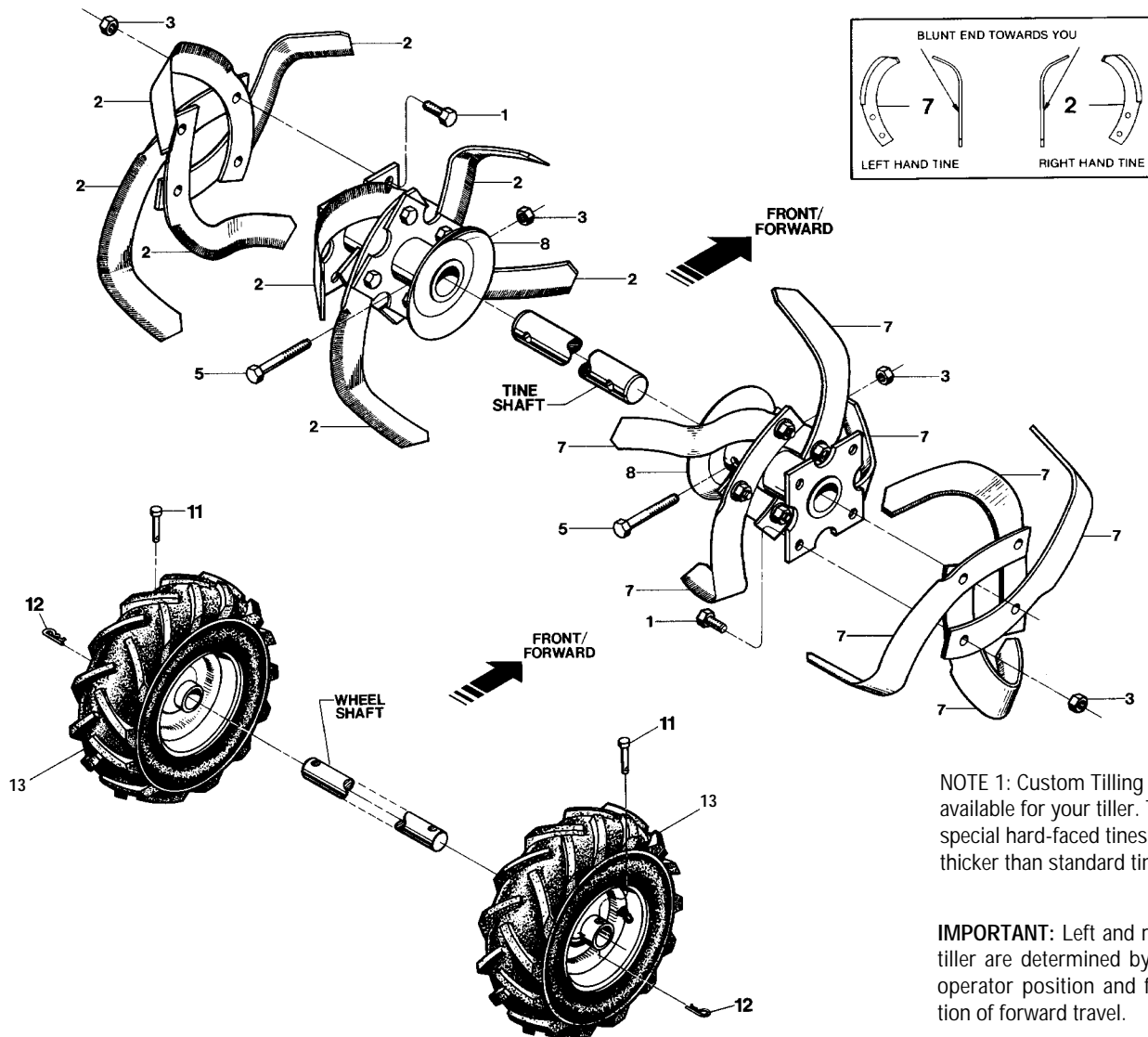
REF. No.	PART No.	DESCRIPTION	QTY.
1	9621	Oil Seal	2
2	9511	Retaining Ring (heavy-duty, external)	2
3	1166-1	Shim, 1-1/64 I.D., .062" thick	A/R
---	1166-2	Shim, as above, but .030" thick	A/R
---	1166-3	Shim, as above, but .015" thick	A/R
---	1166-4	Shim, as above, but .010" thick	A/R
4	1086	Bushing	2
5	2494	Wheel Shaft (Incl. Ref. 6)	1
6	9373	Hi-Pro Key, 1/4 x 1-5/16	1
7	20914	Wheel Drive Worm Gear (cast-iron) ..	1
8	9935	Shim (between key and gear), 1.016 I.D. x 1.468 O.D. x .062 Thick	1

REF. No.	PART No.	DESCRIPTION	QTY.
9	20712	Wheel Drive Clutch (cast-iron)	1
10	20879	Eccentric Shaft	1
11	1442	Pin, Eccentric Shaft	1
12	9055	Spring	1
13	9622	Oil Seal	1
14	20757	Eccentric Shaft Lever	1
15	1100804	Hex Hd. Screw, 1/4-20 x 1/2*	1
16	97074	Ball Bearing	2
17	20896	Tiller Shaft (Incl. Ref. 18)	1
18	1104	Woodruff Key, 1/4 x 1-1/4	1
19	20913	Tiller Drive Worm Gear (bronze)	1

* Specify GRADE 5 if ordering part locally.

A/R - As Required

BOLO TINES, WHEELS



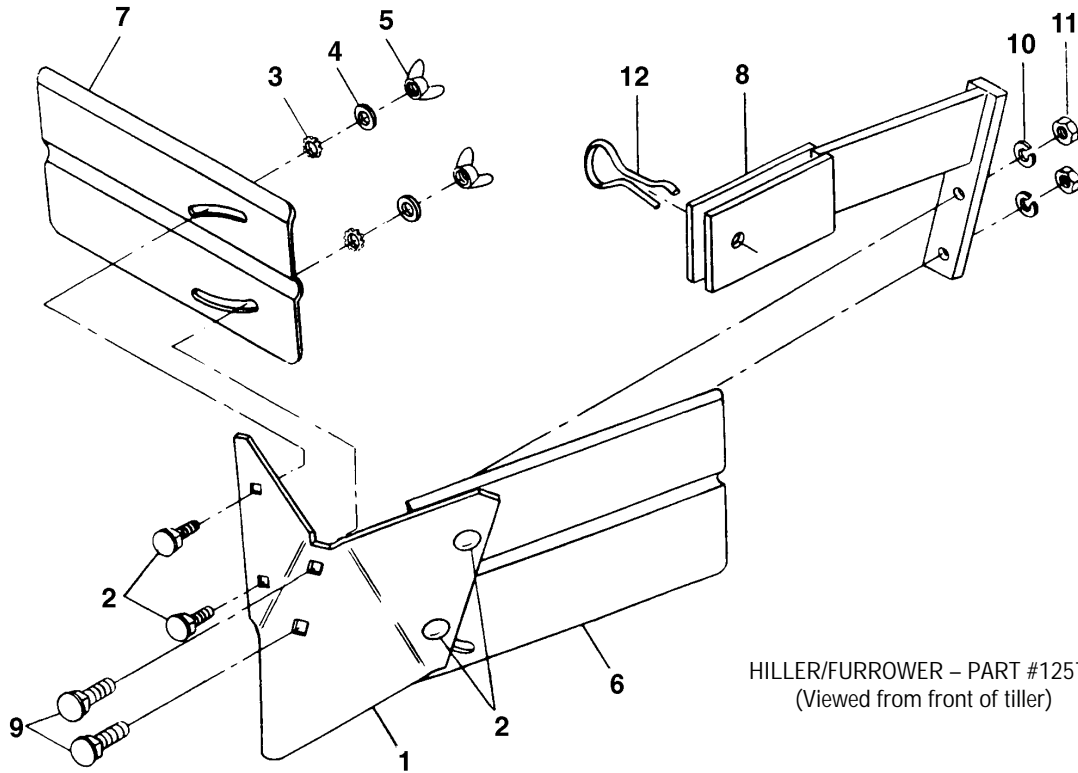
NOTE 1: Custom Tilling Tines are available for your tiller. These are special hard-faced tines that are thicker than standard tines.

IMPORTANT: Left and right sides of tiller are determined by standing in operator position and facing direction of forward travel.

REF. No.	PART No.	DESCRIPTION	QTY.	REF. No.	PART No.	DESCRIPTION	QTY.
1	1100043	Hex Hd. Screw, 3/8-16 x 1-1/4*	16			and sixteen ea. Refs. 1 and 3)	1
2	1270-2A	Bolo Tine-single. Right hand tine used on left side of tiller. (Incl. two ea. Refs. 1 and 3)	8	--	2475-1	Custom Tilling Bolo Tine, Left hand tine (see Note 1 above)	8
3	1733398	Hex Locknut, 3/8-16	18	--	2475-2	Custom Tilling Bolo Tine, Right hand tine (see Note 1 above)	8
5	1982612	Hex Hd. Screw, 3/8-16 x 2, Grade 8....	2	--	GW-10802	Custom Tilling Bolo Tine Replacement Set (Incl. eight ea. right hand and left hand custom tines, and sixteen each of Refs. 1 and 3)	1
7	1270-1A	Bolo Tine-single. Left hand tine used on right side of tiller. (Incl. two ea. Refs. 1 and 3)	8	11	9380	Clevis Pin, .312 x 1-3/4	2
8	1902154010	Tine Holder. For left and right sides	2	12	9338	Hitch Pin	2
--	GW-1901118	Bolo Tine Replacement Set (Incl. eight ea. right hand and left hand tines,		13	1917487	Wheel and Tire Assembly	2

* Specify GRADE 5 if ordering part locally.

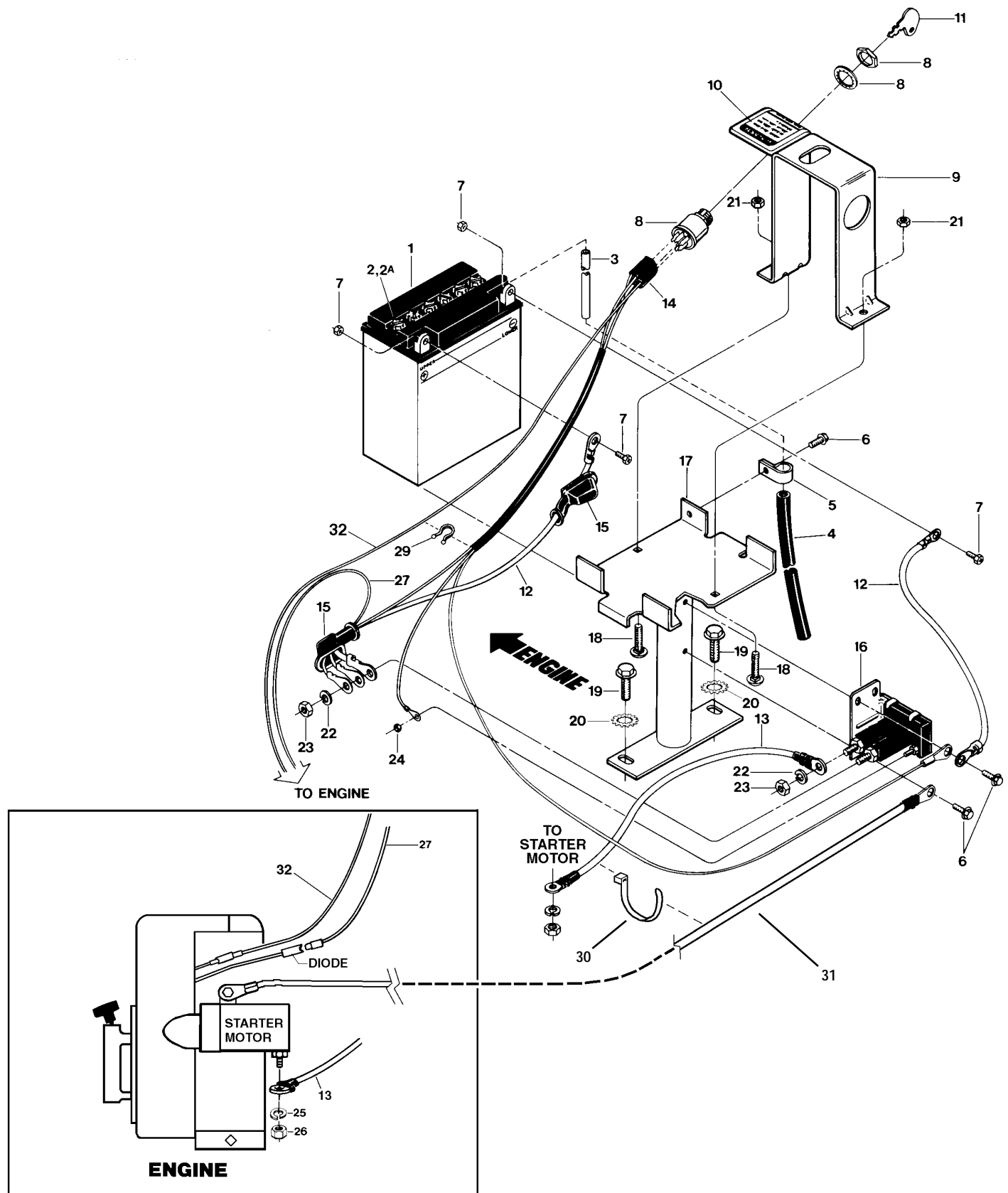
HILLER/FURROWER ATTACHMENT



HILLER/FURROWER – PART #12579
(Viewed from front of tiller)

REF. No.	PART No.	DESCRIPTION	QTY.	REF. No.	PART No.	DESCRIPTION	QTY.
1	1900771001	Furrower Blade	1	9	9725	Carriage Bolt, 3/8-16 x 1-1/2	2
2	1186098	Carriage Bolt, 5/16-18 x 3/4	4	10	1100243	Lockwasher, 3/8, plated	2
3	1177548	Star Washer, External Tooth, 5/16.....	4	11	1186231	Hex Nut, 3/8-16, plated	2
4	9902	Plain Washer, 5/16 S.A.E.....	4	12	9318	Clinch Pin	1
5	9824	Wing Nut, 5/16-18.....	4	--	12579	Complete Hiller/Furrower Attachment (Incl. blade, bracket, hiller wings and mounting hardware)	1
6	1900773001	Hiller Wing, left.....	1				
7	1900774001	Hiller Wing, right	1				
8	1900772001	Blade Mounting Bracket	1				

ELECTRIC START ASSEMBLY



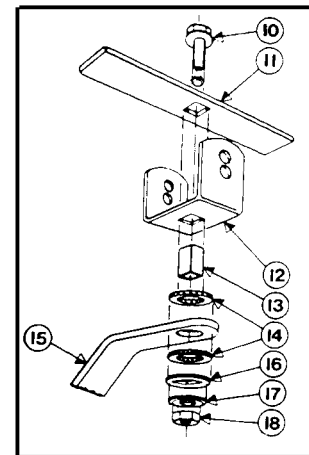
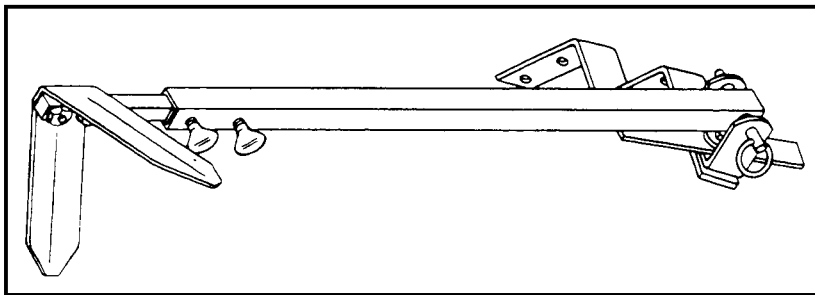
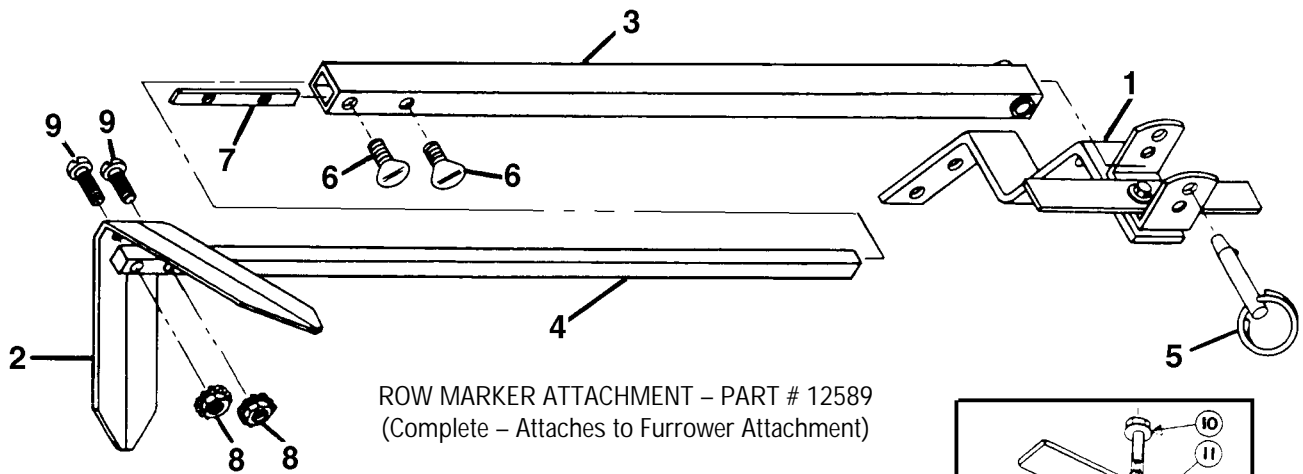
ELECTRIC START ASSEMBLY

REF. No.	PART No.	DESCRIPTION	QTY.	REF. No.	PART No.	DESCRIPTION	QTY.
1	96512	Battery, 12 Volt, 9 Amp (Incl. Ref. 7)	1	15	97020	Boot, Insulating	2
2	9462	Battery Cap (yellow)	A/R	16	96514	Solenoid (Incl. nuts and washers for cables and wires)	1
2A	9248	Battery Cap (white).....	A/R	17	20837	Battery Bracket	1
3	9009	Vent Tube	1	18	1186023	Round Hd. Screw, Square Neck, 1/4-20 x 1-1/4	2
4	1475	Shield, Vent Tube (hard plastic)	1	19	1186331	Hex Flange Screw, 5/16-18 x 1*	2
5	9224	Clamp	1	20	1177548	Lockwasher, External Tooth	2
6	9552	Hex Flange Screw, Self-Threading, 1/4-20 x 1/2*	3	21	1186389	Hex Locknut, 1/4-20.....	2
7	11361	Battery Hardware Kit – Includes two M6 x 11mm Bolts and two M6 Nuts (metric sizes)	1	22	1100242	Lockwasher, 5/16	2
8	1908112	Ignition Switch (Incl. two ignition keys [Ref. 11], one lockwasher and one nut (lockwasher and nut not available separately)	1	23	1186211	Hex Nut, 5/16-24	2
9	1904570	Battery Hold-Down Clamp/Switch Mounting Plate Assy. (Incl. Ref.10)	1	24	9853	Hex Locknut, #10-32	1
10	1904548	Decal, Ignition Switch.....	1	25	--	Lockwasher, #10 (not available from factory)	1
11	96520	Ignition Key (pair)	1	26	--	Hex Nut, #10-24 (not available from factory)	1
12	96509	Battery Cable	2	27	1901894	Recharge Wire Assembly	1
13	96510	Cable (solenoid to starter motor)	1	28	9218	Clip (holds recharging line)	1
14	1908118	Wire Harness Assy. (available as complete assembly only). Incl. wire assy. w/connector to large solenoid stud (red wire); wire assy. w/connector to small solenoid stud (red wire); wire assy. w/connector to solenoid grounding screw (red wire); wire assy w/connector to engine ground shut-off (green wire); plastic protector tube; wire terminal	1	29	9265	Plastic Wire Tie	1
				30	9202	Plastic Wire Tie	1
				31	1901202	Cable (ground wire to starter motor bracket).....	1
				32	1917262	Ground Wire Assy. (shut off)	1

* Specify GRADE 5 if ordering part locally.

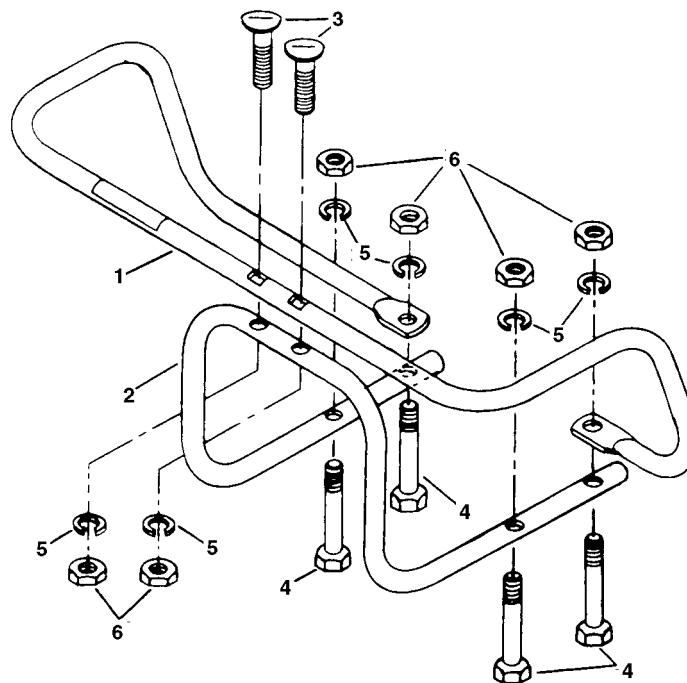
A/R - As Required

ROW MARKER ATTACHMENT



MAIN SUPPORT/YOKE ASSEMBLY
PART # 1904522001

BUMPER ATTACHMENT



BUMPER ATTACHMENT – PART #12593 (Viewed from front of tiller.)

ROW MARKER ATTACHMENT & BUMPER ATTACHMENT

REF. No.	PART No.	DESCRIPTION	QTY.	REF. No.	PART No.	DESCRIPTION	QTY.
Row Marker Attachment – Part #12589				Row Marker Main Support & Yoke Assy – Part #1904522001			
1	1904522001	Complete Main Support & Yoke Assy. (Incl. Refs. 10, 11, 12, 13, 14, 15, 16, 17 & 18).....	1	10	1186349	Hex Flange Screw, 3/8-16 x 1-1/2* ...	1
2	1594	Marker Blade.....	1	11	1593	Stop Bar	1
3	1904524001	Marker Arm	1	12	1592	Yoke	1
4	1904523001	Marker Extension Arm (Incl. stop pin)	1	13	1591	Tube Key (square).....	1
5	9347	Hitch Pin (Incl. in #1837 Hardware Package).....	1	14	1590	Friction Washer	2
6	9786	Thumbscrew, 1/4-20 x 1/2 (not avail. separately – see #1837 Hardware Package)	2	15	1588	Main Support	1
7	1596	Nut Bar (Incl. in #1837 Hardware Package).....	1	16	1589	Washer (square hole).....	1
8	9828	Hex Nut, #10-24 w/attached start washers (not avail. separately – see #1837 Hardware Package)	2	17	9925	Disc Spring Washer.....	1
9	1100135	Round Hd. Screw, #10-24 x 1 (not avail. separately – see #1837 Hardware Package)	2	18	1186231	Hex Nut, 3/8-16.....	1
---	1837	Hardware Package. Includes: one Hitch Pin (Ref. 5), two Thumbscrews (Ref. 6), one Nut Bar (Ref. 7), two Hex Nuts (Ref. 8) & two Screws (Ref. 9)	1	Bumper Attachment – Part #12593			
---	12582	Row Marker Attachment & Pony Hiller/Furrower Attachment – Complete. Includes: #12579 Pony Hiller/Furrower and #12589 Row Marker	1	19	1904757001	Bumper, Top Section.....	1
---	12589	Row Marker Attachment – Complete. Attaches to #12579 Furrower Attachment. Includes #1904522001 Main Support & Yoke Assy.....	1	20	1904758001	Bumper, Bottom Section	1
				21	1731025	Curved Hd. Screw, 5/16-18 x 2 (special); also see #1915811 Hardware Kit.....	2
				22	1111608	Hex Hd. Screw, 5/16-18 x 2-1/2*, (not avail. separately – order #1915811 Hardware Kit)	4
				23	1100242	Lockwasher, 5/16, (not avail. separately – order #1915811 Hardware Kit)	6
				24	1186230	Hex Nut, 5/16-18 (not avail. separately – order #1915811 Hardware Kit)	6
				---	1915811	Hardware Kit. Includes: two Ref. 21; four Ref. 22; six Ref. 23 and six Ref. 24.....	1

Note: Common hardware listed above as “not available separately” can be easily found at most good, local hardware stores.

* Specify GRADE 5 if ordering part locally.