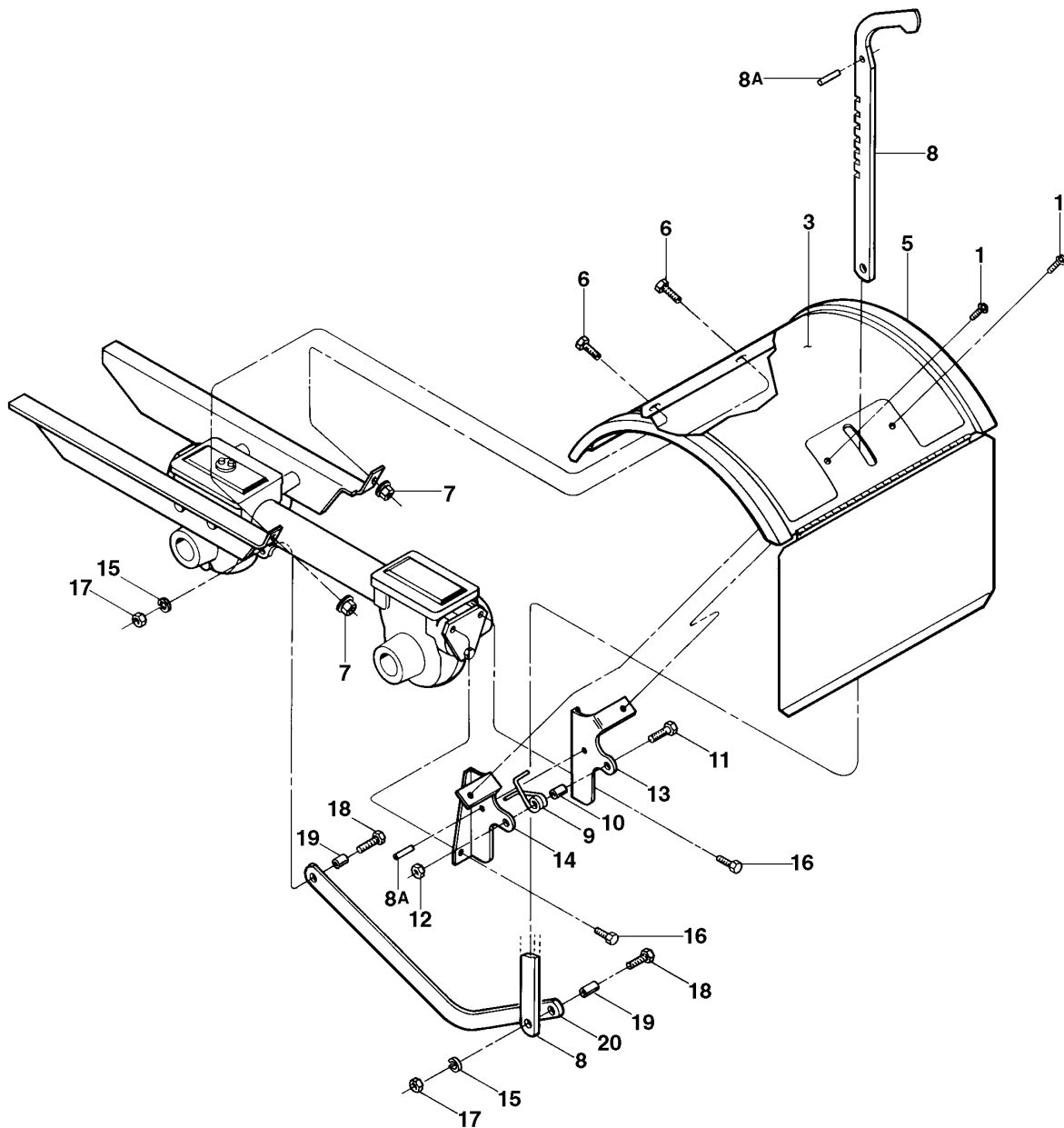


DRAWING NO. 1

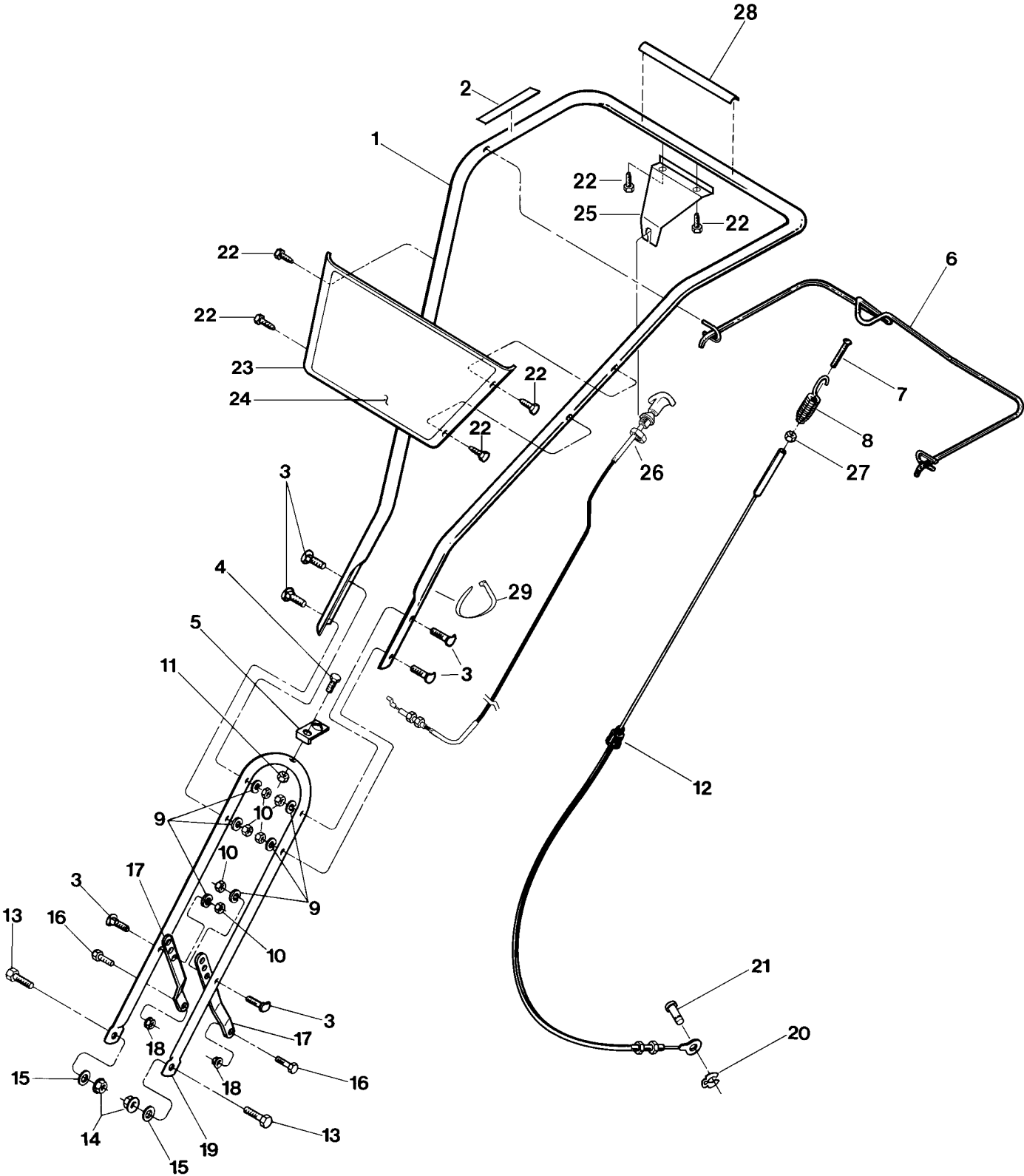


REF. No.	PART No.	DESCRIPTION	QTY.	REF. No.	PART No.	DESCRIPTION	QTY.
1	9552	Hex Hd. Flange Screw, Self-Tapping, 1/4-20 x 1/2	2	10	9534	Spacer	1
3	1917536	Decal, Hood	1	11	1100069	Hex Hd. Screw, 1/4-20 x 1	1
5	1904572	Tine Hood (Incl. tine flap and Ref. 3) (A)	1	12	9811	Hex Lock Nut, 1/4-20	1
	1917594	Tine Hood (Incl. tine flap and Ref. 3) (B) (C)	1	13	1916119001	Hood Bracket, Right Hand.....	1
6	1100088	Hex Hd. Screw, 5/16-18 x 1/2	2	14	1916120001	Hood Bracket, Left Hand	1
7	1186391	Hex Flange Lock Nut, 5/16-18.....	2	15	11000242	Lock washer, 5/16.....	2
8	1916118001	Depth Regulator Lever	1	16	1186331	Hex Hd. Flange Screw, 5/16-18 x 1	2
8A	9308	Spirol Pin	2	17	1186230	Hex Nut, 5/16-18.....	2
9	9384	Spring, Depth Regulator	1	18	1100808	Hex Hd. Screw, 5/16-18 x 1-1/4.....	2
				19	55088	Bushing.....	2
				20	1916121001	Drag Bar.....	1

(A) For Model 12227
(B) For Model 12209

(C) For Model 12210

DRAWING NO. 2

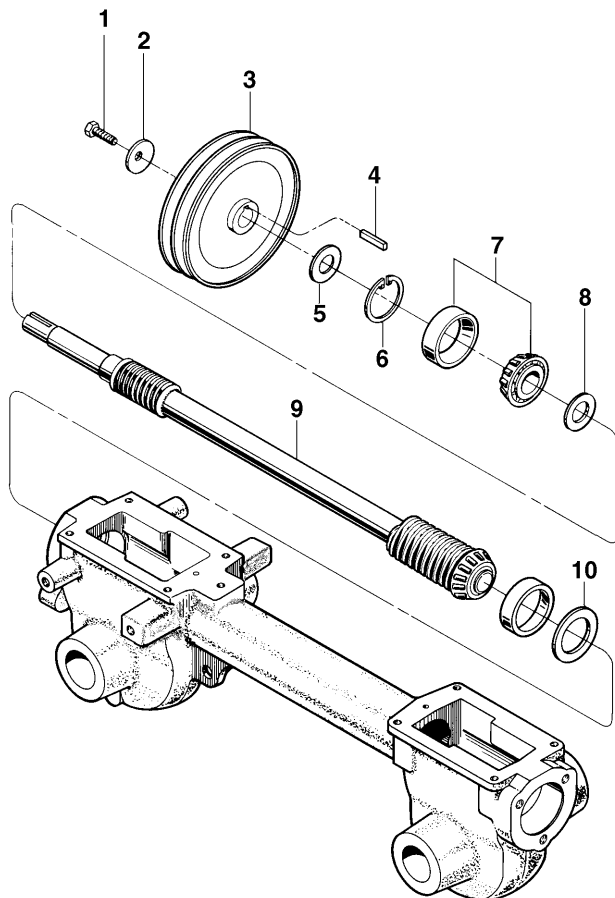


PARTS LIST - DRAWING NO. 2

REF. No.	PART No.	DESCRIPTION	QTY.	REF. No.	PART No.	DESCRIPTION	QTY.
1	55104	Upper Handlebar (Incl. Ref. 2) (A)	1	17	1916107001	Handlebar Support	2
	1916996	Upper Handlebar (Incl. Refs. 2 & 28) (B)(C)	1	18	1110107	Hex Lock Nut, 5/16-18.....	2
2	1916928	Decal, Forward Clutch Bail	1	19	1916108001	Lower Handlebar	1
3	1100799	Hex Hd. Screw, 5/16-18 x 1-1/2	6	20	9386	Klip Ring.....	1
4	1100806	Hex Hd. Screw, 1/4-20 x 1-1/4	1	21	9856	Clevis Pin.....	1
5	55044	Bracket, Forward Clutch Cable.....	1	22	9552	Hex Screw, 1/4-20 x 1/2, Self-Tap (A) .	4
6	1916106001	Bail, Forward Clutch	1		9552	Hex Screw, 1/4-20 x 1/2, Self-Tap (B)(C)	6
7	9855	Screw, #10-24 x 2	1	23	1901273010	Panel	1
8	1916712	Spring, Forward Clutch.....	1	24	55097	Decal, Model Name/Logo (A).....	1
9	1100242	Lock Washer, 5/16	6		1916818	Decal, Model Name/Logo (B).....	1
10	1186230	Hex Lock Nut, 5/16-18.....	6		1917555	Decal, Model Name/Logo (C).....	1
11	9811	Hex Lock Nut, 1/4-20.....	1	25	1916674001	Bracket, Reverse Clutch Cable (B)(C) ..	1
12	55048	Cable Ass'y, Forward Clutch	1	26	1916719	Cable Ass'y, Reverse Clutch (B)(C)	1
13	1100068	Hex Hd. Screw, 3/8-16 x 3/4.....	2	27	1186227	Hex Nut, #10-24	1
14	9837	Hex Lock Nut, 3/8-16.....	2	28	1916929	Decal, Reverse Drive Control (B)(C)	1
15	1107383	Flat Washer, 3/8	2	29	1735531	Cable Tie (B)(C).....	1
16	1100044	Hex Hd. Screw, 5/16-18 x 3/4.....	2				

(A) For Model 12227
 (B) For Model 12209
 (C) For Model 12210

DRAWING/PARTS LIST NO. 3

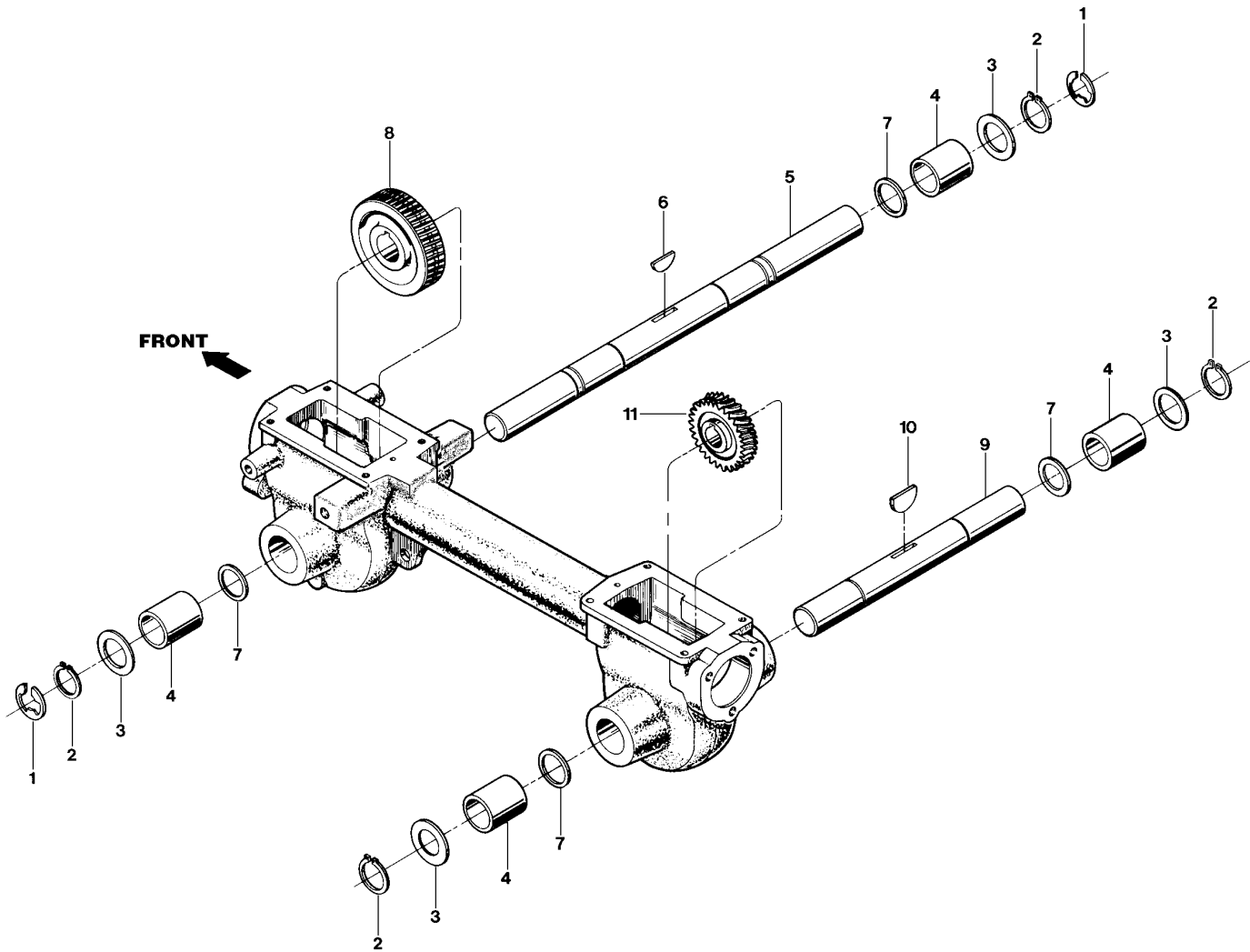


REF. No.	PART No.	DESCRIPTION	QTY.
1	1100004	Hex Screw, 5/16-24 x 3/4, Grade 5 (A) ...	1
	1100005	Hex Screw, 5/16-24 x 1, Grade 5 (B)(C)	1
2	9944	Belleville Washer	1
3	55031	Transmission Pulley (A)	1
	1916532	Transmission Pulley (B)(C)	1
4	9301	Key, Transmission Pulley, 3/16 x 1	1
5	50027	Support Washer, Front	1
6	9517	Snap Ring.....	1
7	1714	Bearing, Tapered Roller (with race).....	2
8	50043	Support Washer, Rear.....	1
9	1904281	Drive Shaft Ass'y.....	1
10	1224-1	Shim, Rear Bearing Cap, .010" thick	A/R
	1224-2	Shim, same as above, except .030" thick	A/R
	1224-3	Shim, same as above, except .005" thick.....	A/R
	1224-4	Shim, same as above, except .062" thick.....	A/R
	1325C	Shim Set (Incl. the following shims: two #1224-1, two 1224-2, one 1224-3, and one #1224-4)	A/R

(A) For Model 12227
 (B) For Model 12209
 (C) For Model 12210

A/R – As Required

DRAWING NO. 4



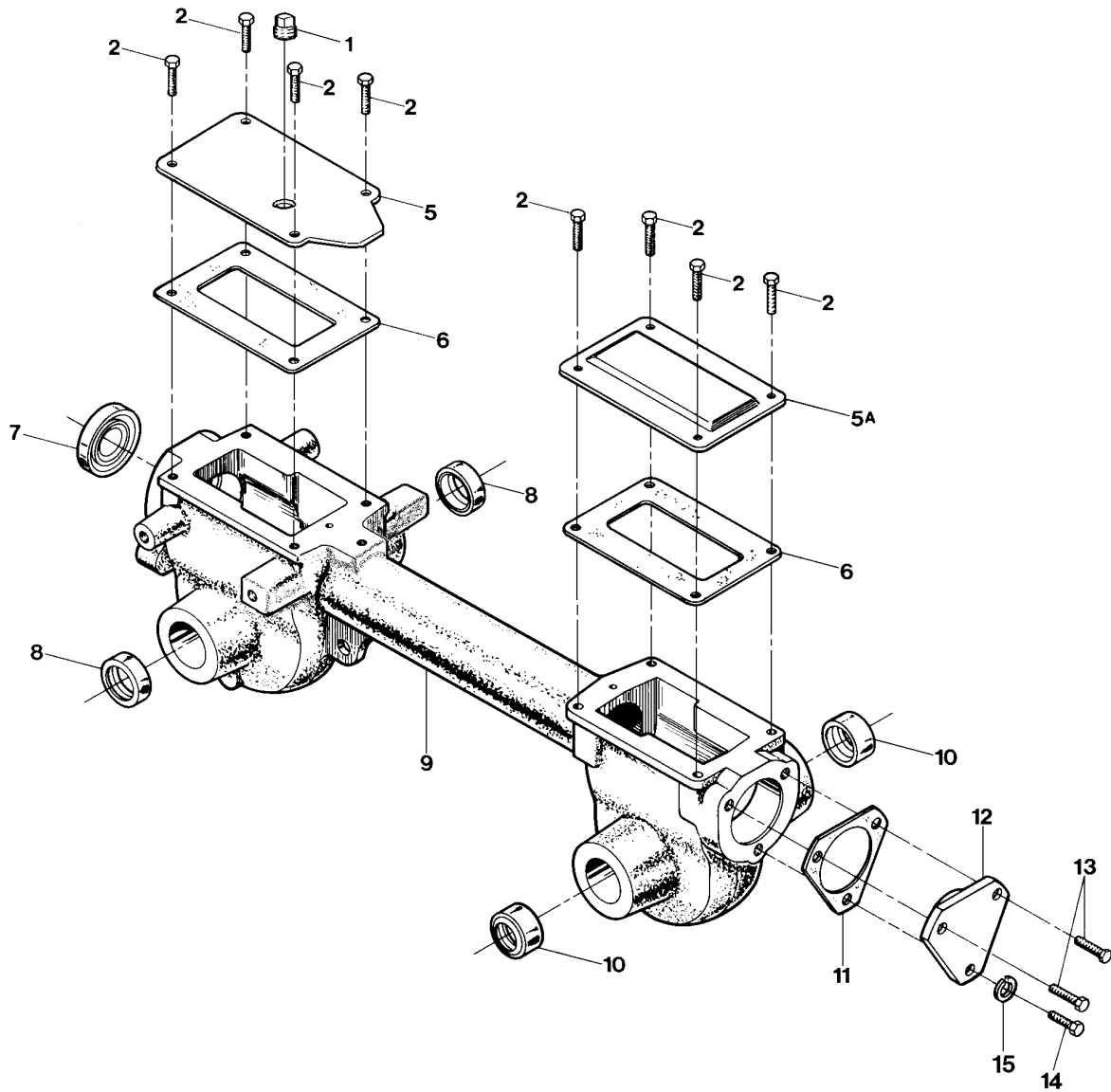
REF. No.	PART No.	DESCRIPTION	QTY.
1	9512	Retainer, Snap Ring, "E" Type.....	2
2	9511	Retainer, Snap Ring	4
3	1166-1	Shim, 0.062" thick	A/R
	1166-2	Shim, 0.030" thick	A/R
	1166-3	Shim, 0.015" thick	A/R
	1166-4	Shim, 0.010" thick	A/R
	1166-5	Shim, 0.005" thick	A/R
4	1086	Bronze Bushing	4

REF. No.	PART No.	DESCRIPTION	QTY.
5	55004	Wheel Shaft (A)	1
	1916741	Wheel Shaft (B) (C)	1
6	9305	Key, Hi-Pro, 1/4 x 1	1
7	1132-2	Spacer	4
8	1904278	Worm Gear, Wheel Shaft.....	1
9	1915074	Tiller Shaft.....	1
10	1104	Woodruff Key	1
11	1904279	Worm Gear, Tiller Shaft.....	1

(A) For Model 12227
 (B) For Model 12209
 (C) For Model 12210

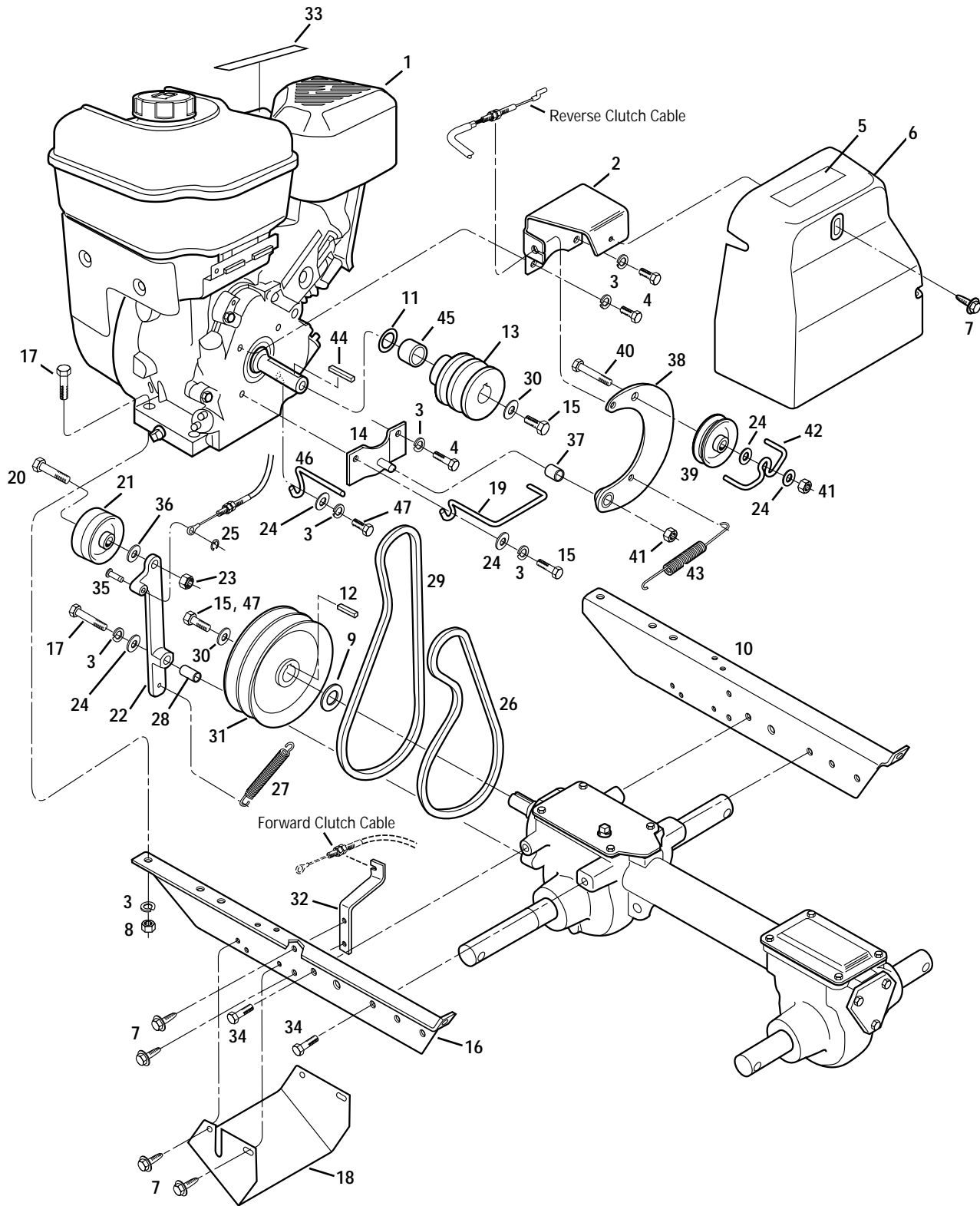
A/R – As Required

DRAWING NO. 5



REF. No.	PART No.	DESCRIPTION	QTY.	REF. No.	PART No.	DESCRIPTION	QTY.
1	9727	Plug, Transmission Oil Fill	1	9	1915084010	Transmission Housing Ass'y.....	1
2	1186328	Hex Hd. Flange Screw, 5/16-18 x 5/8, Grade 5	8	10	1909374	Oil Seal, Tine Shaft	2
5	1916641001	Front Cover, Transmission.....	1	11	55011-1	Bearing Cap Gasket, .010" thick	1
5A	50074	Rear Cover, Transmission.....	1		55011-2	Bearing Cap Gasket, .030" thick	1
6	50032	Gasket, Housing Cover.....	2	12	1916111001	Rear Bearing Cap	1
7	9617	Oil Seal, Drive Shaft	1	13	1186331	Hex Hd. Flange Screw, 5/16-18 x 1	2
8	9621	Oil Seal, Wheel Shaft.....	2	14	1100044	Hex Hd. Flange Screw, 5/16-18 x 3/4..	1
				15	1100242	Lock Washer, 5/16.....	1

DRAWING NO. 6



Models 12209, 12210 and 12227

REF. No.	PART No.	DESCRIPTION	QTY.	REF. No.	PART No.	DESCRIPTION	QTY.
1	*	Engine, Recoil Start.....	1	23	1110108	Lock Nut, 3/8-16.....	1
2	1917326001	Bracket, Belt Cover.....	1	24	1107382	Flat Washer.....	2
3	1100242	Lock Washer, 5/16 (A).....	8	25	9386	Klip Ring.....	1
		Lock Washer, 5/16 (B)(C).....	9	26	55037	Forward Drive Belt (A).....	1
4	1111696	Hex Hd. Screw, 5/16-24 x 1/2 (A).....	2		1916657	Forward Drive Belt (B)(C).....	1
		Hex Hd. Screw, 5/16-24 x 1/2 (B)(C).....	3	27	55034	Forward Return Spring.....	1
5	1904557	Decal, Hot Surfaces Warning.....	1	28	55033	Bushing, Forward Idler Lever.....	1
6	1917128	Belt Cover (Incl. Ref. 5).....	1	29	1916658	Reverse Drive Belt (B)(C).....	1
7	9552	Hex Hd. Flange Screw, Self-Tapping, 1/4-20 x 1/2.....	7	30	9944	Belleville Washer.....	1
8	1186230	Hex Nut, 5/16-18.....	4	31	55031	Transmission Pulley (A).....	1
9	50027	Support Washer.....	1		1916532	Transmission Pulley (B)(C).....	1
10	1916114001	Engine Bracket, Right (A).....	1	32	1916117001	Bracket, Cable Mounting.....	1
	1916795001	Engine Bracket, Right (B)(C)(D).....	1	33	1900766	Decal, Stabilization.....	1
11	1138-2	Shim.....	A/R	34	1186328	Hex Hd. Screw, 5/16-18 x 5/8.....	4
12	9301	Key, 3/16" x 1".....	1	35	9856	Clevis Pin.....	1
13	55035	Pulley, Engine Drive (A).....	1	36	1107383	Flat Washer, 3/8.....	1
	1916531	Pulley, Engine Drive (B)(C).....	1	37	1916536	Bushing (B)(C).....	1
14	1916559001	Reverse Idler Bracket (B)(C).....	1	38	1916578001	Reverse Idler Arm (B)(C).....	1
15	1100005	Hex Hd. Screw, 5/16-24 x 1.....	3	39	1916535	Pulley, Reverse Idler (B)(C).....	1
16	1916113001	Engine Bracket, Left (A).....	1	40	1111606	Hex Hd. Screw, 5/16-18 x 2 (B)(C).....	1
	1916794001	Engine Bracket, Left (B)(C).....	1	41	1110107	Lock Nut, 5/16-18 (B)(C).....	2
17	1100799	Hex Hd. Screw, 5/16-18 x 1-1/2.....	5	42	1916725	Belt Guide (B)(C).....	1
18	1916652001	Guard, Belts/Pulleys.....	1	43	1916724	Reverse Return Spring (B)(C).....	1
19	1916726	Forward Belt Guide (B)(C).....	1	44	1108841	Key, 3/16" x 1-1/2".....	1
20	9558	Hex Hd. Screw, 3/8-16 x 1-1/2.....	1	45	55036	Spacer (A).....	1
21	9090	Forward Idler Pulley.....	1	46	55039	Forward Belt Guide (A).....	1
22	1916116001	Forward Idler Lever.....	1	47	1100004	Hex Hd. Screw, 5/16-24 x 3/4 (A).....	2

(A) For Model 12227 - S/N 122271100101-122271199999

(B) For Model 12209

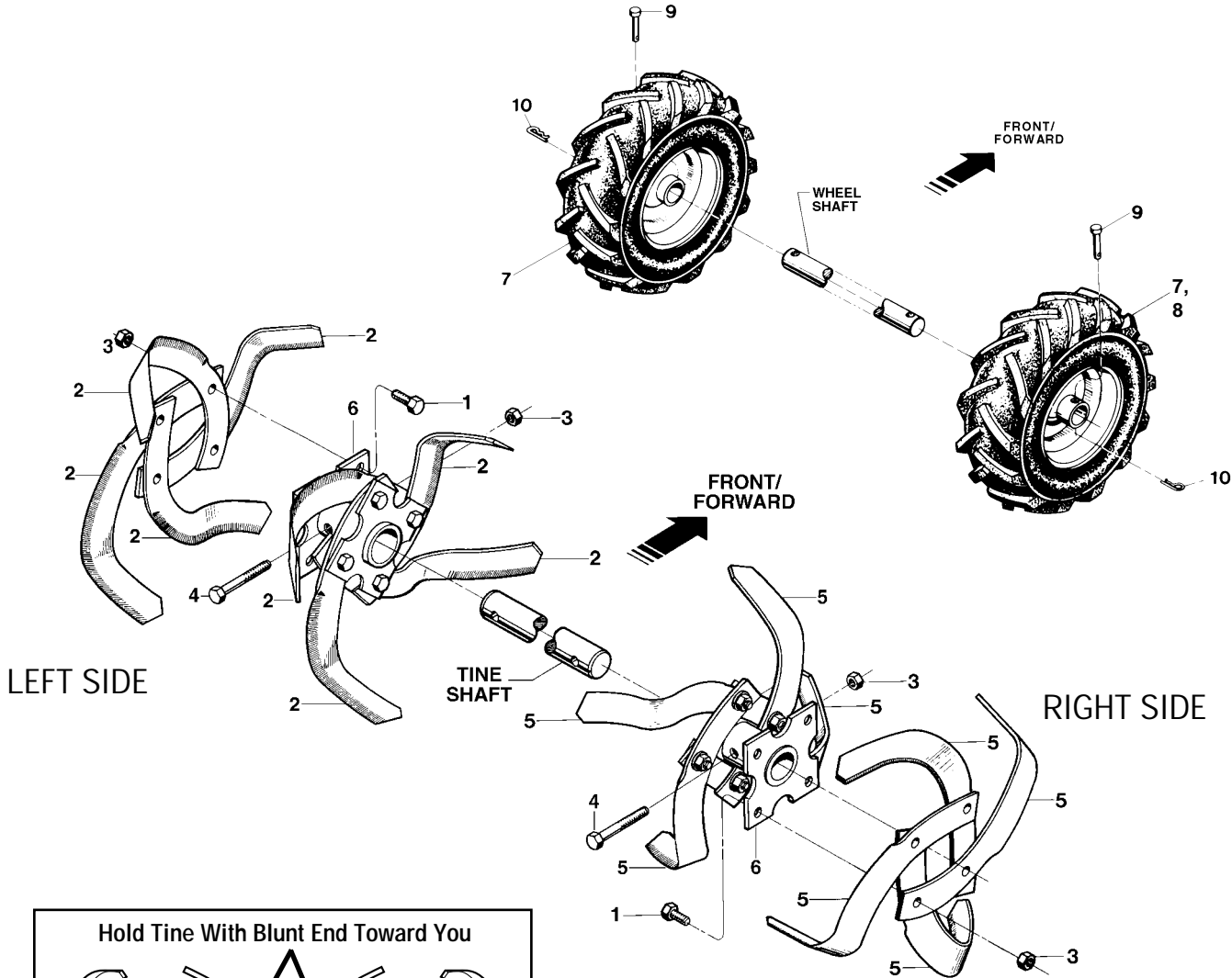
(C) For Model 12210

(D) For Model 12227 - S/N 122271200101-122271299999

A/R – As Required

* Contact your local authorized engine service dealer for engine parts and service. Refer to your engine nameplate for engine model/type number.

DRAWING NO. 7



Hold Tine With Blunt End Toward You

Left Hand Tine **Right Hand Tine**

NOTE: Identify Left and Right sides of tiller by standing in operator position and facing direction of forward travel.

Models 12209, 12210 and 12227

REF. No.	PART No.	DESCRIPTION	QTY.	REF. No.	PART No.	DESCRIPTION	QTY.
1	9711	Hex Hd. Screw, 3/8-16 x 1, Grade 5	16	6	1916747001	Tine Holder (B)(C)	2
2	50049-01	Bolo Tine - Right Hand. Single tine used on left side of tiller. (Incl. two each Refs. 1 & 3)	8		1915075001	Tine Holder (A)	2
3	1733398	Hex Lock Nut, 3/8-16	18	7	1917486	Wheel & Tire Ass'y. (B)	2
4	9555	Hex Hd. Screw, 3/8-16 x 1-3/4	2		1917487	Wheel & Tire Ass'y. (C)	2
----	1901	Bolo Tine Replacement Set (Incl. eight right hand tines, eight left hand tines and required hardware	1		55095-01	Wheel & Tire Ass'y. - Left Side (A)	1
5	50049-02	Bolo Tine - Left Hand. Single tine used on right side of tiller. (Incl. two each Refs. 1 & 3)	8	8	55095-02	Wheel & Tire Ass'y. - Right Side (A)	1
				9	9380	Clevis Pin, .312" x 1-3/4"	2
				10	9338	Hair Pin Cotter.....	2

- (A)** For Model 12227
- (B)** For Model 12209
- (C)** For Model 12210